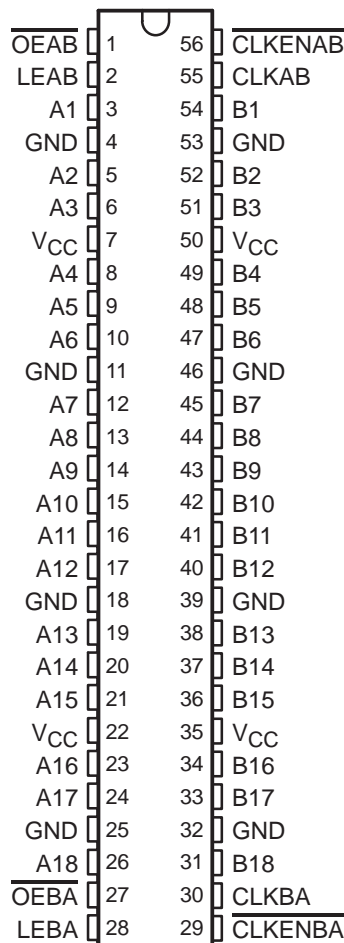


SN54ALVTH16601, SN74ALVTH16601 2.5-V/3.3-V 18-BIT UNIVERSAL BUS TRANSCEIVER WITH 3-STATE OUTPUTS

SCES143A – SEPTEMBER 1998 – REVISED JULY 1999

- **UBT™ (Universal Bus Transceiver) Combines D-Type Latches and D-Type Flip-Flops for Operation in Transparent, Latched, Clocked, or Clock-Enabled Mode**
- **State-of-the-Art Advanced BiCMOS Technology (ABT) *Widebus*™ Design for 2.5-V and 3.3-V Operation and Low Static-Power Dissipation**
- **Support Mixed-Mode Signal Operation (5-V Input and Output Voltages With 2.3-V to 3.6-V V_{CC})**
- **Typical V_{OLP} (Output Ground Bounce) <0.8 V at $V_{CC} = 3.3$ V, $T_A = 25^\circ\text{C}$**
- **High-Drive ($-24/24$ mA at 2.5-V and $-32/64$ mA at 3.3-V V_{CC})**
- **I_{off} and Power-Up 3-State Support Hot Insertion**
- **Use Bus Hold on Data Inputs in Place of External Pullup/Pulldown Resistors to Prevent the Bus From Floating**
- **Auto3-State Eliminates Bus Current Loading When Output Exceeds $V_{CC} + 0.5$ V**
- **Flow-Through Architecture Facilitates Printed Circuit Board Layout**
- **Distributed V_{CC} and GND Pin Configuration Minimizes High-Speed Switching Noise**
- **ESD Protection Exceeds 2000 V Per MIL-STD-883, Method 3015; Exceeds 200 V Using Machine Model ($C = 200$ pF, $R = 0$)**
- **Latch-Up Performance Exceeds 100 mA Per JESD 78, Class II**
- **Package Options Include Plastic Shrink Small-Outline (DL), Thin Shrink Small-Outline (DGG), Thin Very Small-Outline (DGV) Packages, and 380-mil Fine-Pitch Ceramic Flat (WD) Package**

SN54ALVTH16601 . . . WD PACKAGE
SN74ALVTH16601 . . . DGG, DGV, OR DL PACKAGE
(TOP VIEW)



NOTE: For tape and reel order entry:
The DGGR package is abbreviated to GR and
the DGVR package is abbreviated to VR.

description

The 'ALVTH16601 devices are 18-bit universal bus transceivers designed for 2.5-V or 3.3-V V_{CC} operation, but with the capability to provide a TTL interface to a 5-V system environment.

The devices combine D-type latches and D-type flip-flops to allow data flow in transparent, latched, and clocked modes.



Please be aware that an important notice concerning availability, standard warranty, and use in critical applications of Texas Instruments semiconductor products and disclaimers thereto appears at the end of this data sheet.

UBT and Widebus are trademarks of Texas Instruments Incorporated.

UNLESS OTHERWISE NOTED this document contains PRODUCTION DATA information current as of publication date. Products conform to specifications per the terms of Texas Instruments standard warranty. Production processing does not necessarily include testing of all parameters.

 **TEXAS
INSTRUMENTS**

POST OFFICE BOX 655303 • DALLAS, TEXAS 75265

Copyright © 1999, Texas Instruments Incorporated

SN54ALVTH16601, SN74ALVTH16601 2.5-V/3.3-V 18-BIT UNIVERSAL BUS TRANSCEIVER WITH 3-STATE OUTPUTS

SCES143A – SEPTEMBER 1998 – REVISED JULY 1999

description (continued)

Data flow in each direction is controlled by output-enable (\overline{OEAB} and \overline{OEBA}), latch-enable (LEAB and LEBA), and clock (CLKAB and CLKBA) inputs. The clock can be controlled by the clock-enable ($\overline{CLKENAB}$ and $\overline{CLKENBA}$) inputs. For A-to-B data flow, the device operates in the transparent mode when LEAB is high. When LEAB is low, the A data is latched if CLKAB is held at a high or low logic level. If LEAB is low, the A data is stored in the latch/flip-flop on the low-to-high transition of CLKAB. Output enable \overline{OEAB} is active low. When \overline{OEAB} is low, the outputs are active. When \overline{OEAB} is high, the outputs are in the high-impedance state.

Data flow for B to A is similar to that of A to B, but uses \overline{OEBA} , LEBA, CLKBA, and $\overline{CLKENBA}$.

This device is fully specified for hot-insertion applications using I_{off} and power-up 3-state. The I_{off} circuitry disables the outputs, preventing damaging current backflow through the device when it is powered down. The power-up 3-state circuitry places the outputs in the high-impedance state during power up and power down, which prevents driver conflict.

When V_{CC} is between 0 and 1.2 V, the device is in the high-impedance state during power up or power down. However, to ensure the high-impedance state above 1.2 V, \overline{OE} should be tied to V_{CC} through a pullup resistor; the minimum value of the resistor is determined by the current-sinking capability of the driver.

Active bus-hold circuitry is provided to hold unused or floating data inputs at a valid logic level.

The SN54ALVTH16601 is characterized for operation over the full military temperature range of -55°C to 125°C . The SN74ALVTH16601 is characterized for operation from -40°C to 85°C .

FUNCTION TABLE†

INPUTS					OUTPUT
$\overline{CLKENAB}$	\overline{OEAB}	LEAB	CLKAB	A	B
X	H	X	X	X	Z
X	L	H	X	L	L
X	L	H	X	H	H
H	L	L	X	X	B_0^{\ddagger}
H	L	L	X	X	B_0^{\ddagger}
L	L	L	↑	L	L
L	L	L	↑	H	H
L	L	L	L or H	X	B_0^{\ddagger}

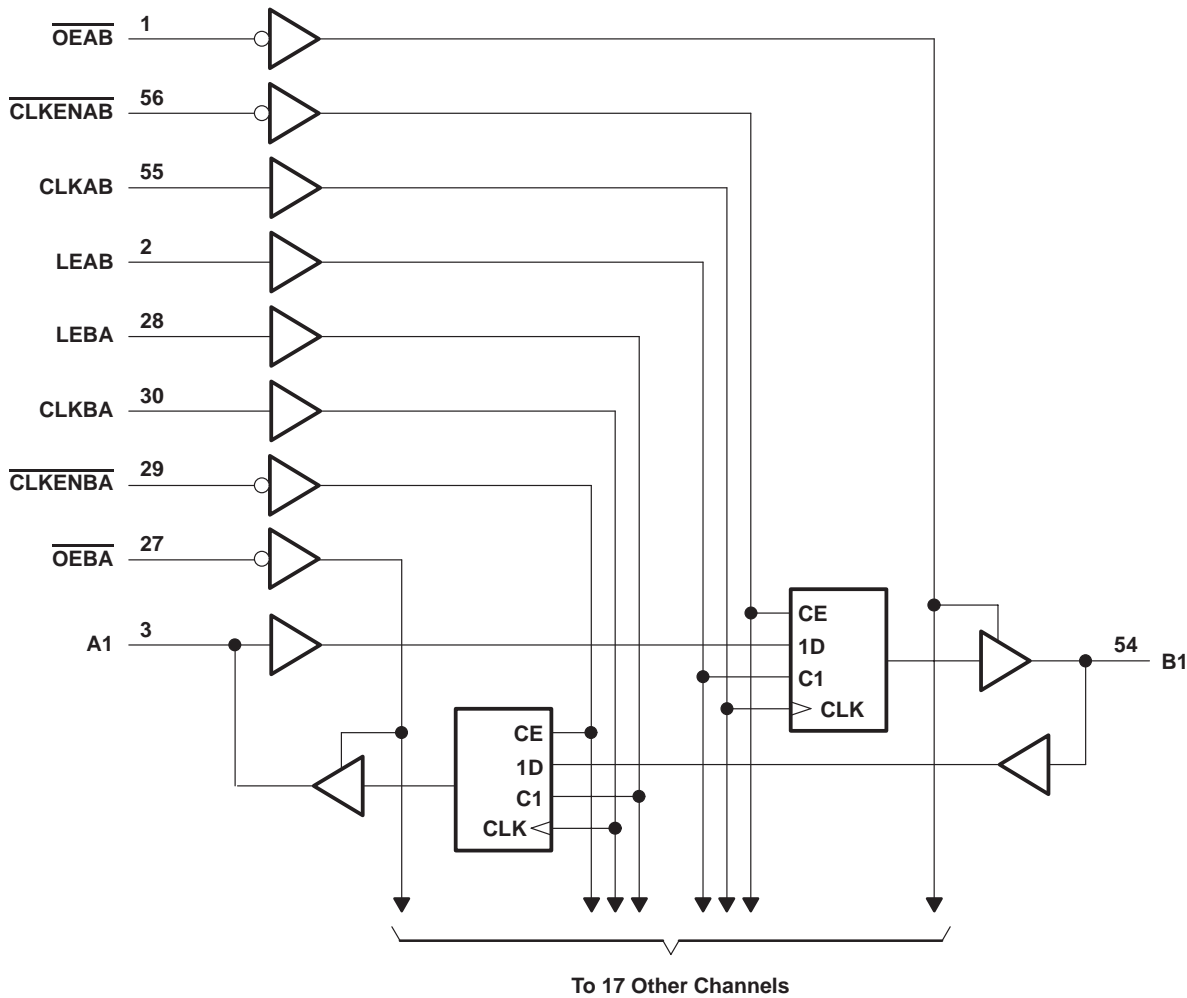
† A-to-B data flow is shown; B-to-A flow is similar but uses \overline{OEBA} , LEBA, CLKBA, and $\overline{CLKENBA}$.

‡ Output level before the indicated steady-state input conditions were established

SN54ALVTH16601, SN74ALVTH16601
 2.5-V/3.3-V 18-BIT UNIVERSAL BUS TRANSCEIVER
 WITH 3-STATE OUTPUTS

SCES143A – SEPTEMBER 1998 – REVISED JULY 1999

logic diagram (positive logic)



SN54ALVTH16601, SN74ALVTH16601 2.5-V/3.3-V 18-BIT UNIVERSAL BUS TRANSCEIVER WITH 3-STATE OUTPUTS

SCES143A – SEPTEMBER 1998 – REVISED JULY 1999

absolute maximum ratings over operating free-air temperature range (unless otherwise noted)†

Supply voltage range, V_{CC}	–0.5 V to 4.6 V
Input voltage range, V_I (see Note 1)	–0.5 V to 7 V
Voltage range applied to any output in the high or power-off state, V_O (see Note 1)	–0.5 V to 7 V
Output current in the low state, I_O : SN54ALVTH16601	96 mA
SN74ALVTH16601	128 mA
Output current in the high state, I_O : SN54ALVTH16601	–48 mA
SN74ALVTH16601	–64 mA
Input clamp current, I_{IK} ($V_I < 0$)	–50 mA
Output clamp current, I_{OK} ($V_O < 0$)	–50 mA
Package thermal impedance, θ_{JA} (see Note 2): DGG package	81°C/W
DGV package	86°C/W
DL package	74°C/W
Storage temperature range, T_{stg}	–65°C to 150°C

† Stresses beyond those listed under “absolute maximum ratings” may cause permanent damage to the device. These are stress ratings only, and functional operation of the device at these or any other conditions beyond those indicated under “recommended operating conditions” is not implied. Exposure to absolute-maximum-rated conditions for extended periods may affect device reliability.

- NOTES: 1. The input and output negative-voltage ratings may be exceeded if the input and output clamp-current ratings are observed.
2. The package thermal impedance is calculated in accordance with JESD 51.

recommended operating conditions, $V_{CC} = 2.5\text{ V} \pm 0.2\text{ V}$ (see Note 3)

		SN54ALVTH16601			SN74ALVTH16601			UNIT
		MIN	TYP	MAX	MIN	TYP	MAX	
V_{CC}	Supply voltage	2.3		2.7	2.3		2.7	V
V_{IH}	High-level input voltage	1.7			1.7			V
V_{IL}	Low-level input voltage			0.7			0.7	V
V_I	Input voltage	0	V_{CC}	5.5	0	V_{CC}	5.5	V
I_{OH}	High-level output current			–6			–8	mA
I_{OL}	Low-level output current			6			8	mA
	Low-level output current; current duty cycle $\leq 50\%$; $f \geq 1\text{ kHz}$			18			24	
$\Delta t/\Delta v$	Input transition rise or fall rate			10			10	ns/V
$\Delta t/\Delta V_{CC}$	Power-up ramp rate	200			200			$\mu\text{s/V}$
T_A	Operating free-air temperature	–55		125	–40		85	°C

NOTE 3: All unused control inputs of the device must be held at V_{CC} or GND to ensure proper device operation. Refer to the TI application report, *Implications of Slow or Floating CMOS Inputs*, literature number SCBA004.

SN54ALVTH16601, SN74ALVTH16601
2.5-V/3.3-V 18-BIT UNIVERSAL BUS TRANSCEIVER
WITH 3-STATE OUTPUTS

SCES143A – SEPTEMBER 1998 – REVISED JULY 1999

recommended operating conditions, $V_{CC} = 3.3\text{ V} \pm 0.3\text{ V}$ (see Note 3)

		SN54ALVTH16601			SN74ALVTH16601			UNIT
		MIN	TYP	MAX	MIN	TYP	MAX	
V_{CC}	Supply voltage	3		3.6	3		3.6	V
V_{IH}	High-level input voltage	2			2			V
V_{IL}	Low-level input voltage			0.8			0.8	V
V_I	Input voltage	0	V_{CC}	5.5	0	V_{CC}	5.5	V
I_{OH}	High-level output current			-24			-32	mA
I_{OL}	Low-level output current			24			32	mA
	Low-level output current; current duty cycle $\leq 50\%$; $f \geq 1\text{ kHz}$			48			64	
$\Delta t/\Delta v$	Input transition rise or fall rate			10			10	ns/V
	Outputs enabled							
$\Delta t/\Delta V_{CC}$	Power-up ramp rate	200			200			$\mu\text{s/V}$
T_A	Operating free-air temperature	-55		125	-40		85	$^{\circ}\text{C}$

NOTE 3: All unused control inputs of the device must be held at V_{CC} or GND to ensure proper device operation. Refer to the TI application report, *Implications of Slow or Floating CMOS Inputs*, literature number SCBA004.

SN54ALVTH16601, SN74ALVTH16601

2.5-V/3.3-V 18-BIT UNIVERSAL BUS TRANSCEIVER

WITH 3-STATE OUTPUTS

SCES143A – SEPTEMBER 1998 – REVISED JULY 1999

electrical characteristics over recommended operating free-air temperature range,
 $V_{CC} = 2.5 \text{ V} \pm 0.2 \text{ V}$ (unless otherwise noted)

PARAMETER	TEST CONDITIONS		SN54ALVTH16601		SN74ALVTH16601		UNIT
			MIN	TYP†	MAX	MIN	
V_{IK}	$V_{CC} = 2.3 \text{ V}$, $I_I = -18 \text{ mA}$		-1.2		-1.2		V
V_{OH}	$V_{CC} = 2.3 \text{ V to } 2.7 \text{ V}$, $I_{OH} = -100 \mu\text{A}$		$V_{CC}-0.2$		$V_{CC}-0.2$		V
	$V_{CC} = 2.3 \text{ V}$	$I_{OH} = -6 \text{ mA}$	1.8		1.8		
V_{OL}	$V_{CC} = 2.3 \text{ V to } 2.7 \text{ V}$, $I_{OL} = 100 \mu\text{A}$		0.2		0.2		V
	$V_{CC} = 2.3 \text{ V}$	$I_{OL} = 6 \text{ mA}$	0.4				
		$I_{OL} = 8 \text{ mA}$			0.4		
		$I_{OL} = 18 \text{ mA}$	0.5				
		$I_{OL} = 24 \text{ mA}$			0.5		
V_{RST}^\ddagger	$V_{CC} = 2.7 \text{ V}$	$I_O = 1 \text{ mA}$, $V_I = V_{CC} \text{ or GND}$	0.55		0.55		V
I_I	Control inputs	$V_{CC} = 2.7 \text{ V}$, $V_I = V_{CC} \text{ or GND}$	± 1		± 1		μA
		$V_{CC} = 0 \text{ or } 2.7 \text{ V}$, $V_I = 5.5 \text{ V}$	10		10		
	A or B ports	$V_{CC} = 2.7 \text{ V}$, $V_I = 5.5 \text{ V}$	10		10		
		$V_{CC} = 2.7 \text{ V}$, $V_I = V_{CC}$	1		1		
		$V_I = 0$	-5		-5		
I_{off}	$V_{CC} = 0$,	$V_I \text{ or } V_O = 0 \text{ to } 4.5 \text{ V}$			± 100		μA
I_{BHL}^\S	$V_{CC} = 2.3 \text{ V}$,	$V_I = 0.7 \text{ V}$	115		115		μA
I_{BHH}^\P	$V_{CC} = 2.3 \text{ V}$,	$V_I = 1.7 \text{ V}$	-10		-10		μA
$I_{BHLO}^\#$	$V_{CC} = 2.7 \text{ V}$,	$V_I = 0 \text{ to } V_{CC}$	300		300		μA
I_{BHHO}^\parallel	$V_{CC} = 2.7 \text{ V}$,	$V_I = 0 \text{ to } V_{CC}$	-300		-300		μA
I_{EX}^\star	$V_{CC} = 2.3 \text{ V}$,	$V_O = 5.5 \text{ V}$	125		125		μA
$I_{OZ}(\text{PU/PD})^\square$	$V_{CC} \leq 1.2 \text{ V}$, $V_O = 0.5 \text{ V to } V_{CC}$, $V_I = \text{GND or } V_{CC}$, $\overline{OE} = \text{don't care}$		± 100		± 100		μA
I_{CC}	$V_{CC} = 2.7 \text{ V}$, $I_O = 0$, $V_I = V_{CC} \text{ or GND}$	Outputs high	0.04	0.1	0.04	0.1	mA
		Outputs low	2.5	4.5	2.5	4.5	
		Outputs disabled	0.04	0.1	0.04	0.1	
C_i	$V_{CC} = 2.5 \text{ V}$,	$V_I = 2.5 \text{ V or } 0$	3		3		pF
C_{io}	$V_{CC} = 2.5 \text{ V}$,	$V_O = 2.5 \text{ V or } 0$	7		7		pF

† All typical values are at $V_{CC} = 2.5 \text{ V}$, $T_A = 25^\circ\text{C}$.

‡ Data must not be loaded into the flip-flops/latches after applying power.

§ The bus-hold circuit can sink at least the minimum low sustaining current at $V_{IL} \text{ max}$. I_{BHL} should be measured after lowering V_{IN} to GND and then raising it to $V_{IL} \text{ max}$.

¶ The bus-hold circuit can source at least the minimum high sustaining current at $V_{IH} \text{ min}$. I_{BHH} should be measured after raising V_{IN} to V_{CC} and then lowering it to $V_{IH} \text{ min}$.

An external driver must source at least I_{BHLO} to switch this node from low to high.

|| An external driver must sink at least I_{BHHO} to switch this node from high to low.

☆ Current into an output in the high state when $V_O > V_{CC}$

□ High-impedance state during power up or power down

PRODUCT PREVIEW information concerns products in the formative or design phase of development. Characteristic data and other specifications are design goals. Texas Instruments reserves the right to change or discontinue these products without notice.



POST OFFICE BOX 655303 • DALLAS, TEXAS 75265

SN54ALVTH16601, SN74ALVTH16601 2.5-V/3.3-V 18-BIT UNIVERSAL BUS TRANSCEIVER WITH 3-STATE OUTPUTS

SCES143A – SEPTEMBER 1998 – REVISED JULY 1999

**electrical characteristics over recommended operating free-air temperature range,
V_{CC} = 3.3 V ± 0.3 V (unless otherwise noted)**

PARAMETER	TEST CONDITIONS	SN54ALVTH16601		SN74ALVTH16601		UNIT		
		MIN	TYP†	MAX	MIN		TYP†	MAX
V _{IK}	V _{CC} = 3 V, I _I = -18 mA			-1.2		-1.2	V	
V _{OH}	V _{CC} = 3 V to 3.6 V, I _{OH} = -100 μA	V _{CC} -0.2			V _{CC} -0.2		V	
	V _{CC} = 3 V, I _{OH} = -24 mA	2						
V _{OL}	V _{CC} = 3 V to 3.6 V, I _{OL} = 100 μA			0.2		0.2	V	
	V _{CC} = 3 V	I _{OL} = 16 mA				0.4		
		I _{OL} = 24 mA			0.5			
		I _{OL} = 32 mA						0.5
		I _{OL} = 48 mA			0.55			
I _{OL} = 64 mA					0.55			
V _{RST} ‡	V _{CC} = 3.6 V, I _O = 1 mA, V _I = V _{CC} or GND			0.55		0.55	V	
I _I	Control inputs	V _{CC} = 3.6 V, V _I = V _{CC} or GND			±1		±1	μA
		V _{CC} = 0 or 3.6 V, V _I = 5.5 V			10		10	
	A or B ports	V _{CC} = 3.6 V, V _I = 5.5 V			10		10	
		V _{CC} = 3.6 V, V _I = V _{CC}			1		1	
	V _{CC} = 3.6 V, V _I = 0			-5		-5		
I _{off}	V _{CC} = 0, V _I or V _O = 0 to 4.5 V					±100	μA	
I _{BHL} §	V _{CC} = 3 V, V _I = 0.8 V	75			75		μA	
I _{BHH} ¶	V _{CC} = 3 V, V _I = 2 V	-75			-75		μA	
I _{BHLO} #	V _{CC} = 3.6 V, V _I = 0 to V _{CC}	500			500		μA	
I _{BHHO}	V _{CC} = 3.6 V, V _I = 0 to V _{CC}	-500			-500		μA	
I _{EX} *	V _{CC} = 3 V, V _O = 5.5 V			125		125	μA	
I _{OZ} (PU/PD)□	V _{CC} ≤ 1.2 V, V _O = 0.5 V to V _{CC} , V _I = GND or V _{CC} , \overline{OE} = don't care			±100		±100	μA	
I _{CC}	V _{CC} = 3.6 V, I _O = 0, V _I = V _{CC} or GND	Outputs high	0.06	0.1	0.06	0.1	mA	
		Outputs low	3.5	5	3.5	5		
		Outputs disabled	0.06	0.1	0.06	0.1		
ΔI _{CC} ◇	V _{CC} = 3 V to 3.6 V, One input at V _{CC} - 0.6 V, Other inputs at V _{CC} or GND			0.4		0.4	mA	
C _i	V _{CC} = 3.3 V, V _I = 3.3 V or 0			3		3	pF	
C _{io}	V _{CC} = 3.3 V, V _O = 3.3 V or 0			7		7	pF	

† All typical values are at V_{CC} = 3.3 V, T_A = 25°C.

‡ Data must not be loaded into the flip-flops/latches after applying power.

§ The bus-hold circuit can sink at least the minimum low sustaining current at V_{IL} max. I_{BHL} should be measured after lowering V_{IN} to GND and then raising it to V_{IL} max.

¶ The bus-hold circuit can source at least the minimum high sustaining current at V_{IH} min. I_{BHH} should be measured after raising V_{IN} to V_{CC} and then lowering it to V_{IH} min.

An external driver must source at least I_{BHLO} to switch this node from low to high.

|| An external driver must sink at least I_{BHHO} to switch this node from high to low.

* Current into an output in the high state when V_O > V_{CC}

□ High-impedance state during power up or power down

◇ This is the increase in supply current for each input that is at the specified TTL voltage level rather than V_{CC} or GND.

PRODUCT PREVIEW information concerns products in the formative or design phase of development. Characteristic data and other specifications are design goals. Texas Instruments reserves the right to change or discontinue these products without notice.



POST OFFICE BOX 655303 • DALLAS, TEXAS 75265

SN54ALVTH16601, SN74ALVTH16601
2.5-V/3.3-V 18-BIT UNIVERSAL BUS TRANSCEIVER
WITH 3-STATE OUTPUTS

SCES143A – SEPTEMBER 1998 – REVISED JULY 1999

timing requirements over recommended operating free-air temperature range, $V_{CC} = 2.5 V \pm 0.2 V$ (unless otherwise noted) (see Figure 1)

			SN54ALVTH16601		SN74ALVTH16601		UNIT
			MIN	MAX	MIN	MAX	
f_{clock}	Clock frequency		150		150		MHz
t_w	Pulse duration	LE high	1.8		1.8		ns
		CLK high or low	2.3		2.3		
t_{su}	Setup time	A or B before CLK \uparrow	Data high	4		4	ns
			Data low	5.2		5.2	
		A or B before LE \downarrow	CLK high	0.7		0.7	
			CLK low	0.9		0.9	
		\overline{CLKEN} before CLK \uparrow	Data high	1.7		1.7	
			Data low	2.3		2.3	
t_h	Hold time	A or B after CLK \uparrow	Data high	0.5		0.5	ns
			Data low	0.5		0.5	
		A or B after LE \downarrow	CLK high	2.3		2.3	
			CLK low	2.4		2.4	
		\overline{CLKEN} after CLK \uparrow	Data high	0.5		0.5	
			Data low	0.5		0.5	

timing requirements over recommended operating free-air temperature range, $V_{CC} = 3.3 V \pm 0.3 V$ (unless otherwise noted) (see Figure 2)

			SN54ALVTH16601		SN74ALVTH16601		UNIT
			MIN	MAX	MIN	MAX	
f_{clock}	Clock frequency		150		150		MHz
t_w	Pulse duration	LE high	1.8		1.8		ns
		CLK high or low	2.3		2.3		
t_{su}	Setup time	A or B before CLK \uparrow	Data high	2.4		2.4	ns
			Data low	3.8		3.8	
		A or B before LE \downarrow	CLK high	1		1	
			CLK low	0.6		0.6	
		\overline{CLKEN} before CLK \uparrow	Data high	1.4		1.4	
			Data low	1.9		1.9	
t_h	Hold time	A or B after CLK \uparrow	Data high	0.5		0.5	ns
			Data low	0.5		0.5	
		A or B after LE \downarrow	CLK high	2		2	
			CLK low	2.3		2.3	
		\overline{CLKEN} after CLK \uparrow	Data high	0.6		0.6	
			Data low	0.5		0.5	

PRODUCT PREVIEW information concerns products in the formative or design phase of development. Characteristic data and other specifications are design goals. Texas Instruments reserves the right to change or discontinue these products without notice.



POST OFFICE BOX 655303 • DALLAS, TEXAS 75265

SN54ALVTH16601, SN74ALVTH16601 2.5-V/3.3-V 18-BIT UNIVERSAL BUS TRANSCEIVER WITH 3-STATE OUTPUTS

SCES143A – SEPTEMBER 1998 – REVISED JULY 1999

switching characteristics over recommended operating free-air temperature range, $C_L = 30$ pF, $V_{CC} = 2.5$ V \pm 0.2 V (unless otherwise noted) (see Figure 1)

PARAMETER	FROM (INPUT)	TO (OUTPUT)	SN54ALVTH16601		SN74ALVTH16601		UNIT
			MIN	MAX	MIN	MAX	
f_{max}			150		150		MHz
t_{PLH}	B or A	A or B	1.1	4.1	1.1	4.1	ns
t_{PHL}			1.6	4.8	1.6	4.8	
t_{PLH}	LEBA or LEAB	A or B	2.1	5	2.1	5	ns
t_{PHL}			2.4	5.4	2.4	5.4	
t_{PLH}	CLKBA or CLKAB	A or B	2	5	2	5	ns
t_{PHL}			2.5	5.9	2.5	5.9	
t_{PZH}	\overline{OEBA} or OEAB	A or B	1.2	4.8	1.2	4.8	ns
t_{PZL}			1	4.6	1	4.6	
t_{PHZ}	\overline{OEBA} or OEAB	A or B	1.2	5.2	1.2	5.2	ns
t_{PLZ}			1	3.9	1	3.9	

switching characteristics over recommended operating free-air temperature range, $C_L = 50$ pF, $V_{CC} = 3.3$ V \pm 0.3 V (unless otherwise noted) (see Figure 2)

PARAMETER	FROM (INPUT)	TO (OUTPUT)	SN54ALVTH16601		SN74ALVTH16601		UNIT
			MIN	MAX	MIN	MAX	
f_{max}			150		150		MHz
t_{PLH}	B or A	A or B	1.4	3.9	1.4	3.9	ns
t_{PHL}			1.1	3.9	1.1	3.9	
t_{PLH}	LEBA or LEAB	A or B	2	4.6	2	4.6	ns
t_{PHL}			2.1	4.6	2.1	4.6	
t_{PLH}	CLKBA or CLKAB	A or B	1.9	4.5	1.9	4.5	ns
t_{PHL}			2.2	4.6	2.2	4.6	
t_{PZH}	\overline{OEBA} or OEAB	A or B	1	4.2	1	4.2	ns
t_{PZL}			1	4.4	1	4.4	
t_{PHZ}	\overline{OEBA} or OEAB	A or B	1.8	5.3	1.8	5.3	ns
t_{PLZ}			1.7	4.6	1.7	4.6	

PRODUCT PREVIEW information concerns products in the formative or design phase of development. Characteristic data and other specifications are design goals. Texas Instruments reserves the right to change or discontinue these products without notice.

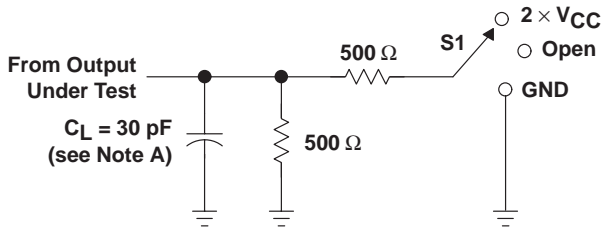


SN54ALVTH16601, SN74ALVTH16601
2.5-V/3.3-V 18-BIT UNIVERSAL BUS TRANSCEIVER
WITH 3-STATE OUTPUTS

SCES143A – SEPTEMBER 1998 – REVISED JULY 1999

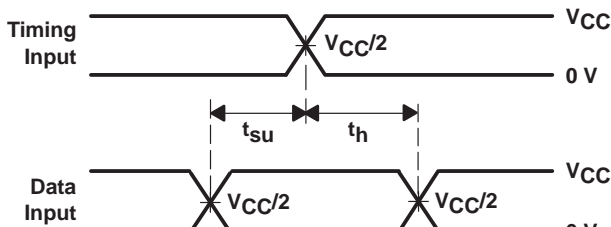
PARAMETER MEASUREMENT INFORMATION

$V_{CC} = 2.5\text{ V} \pm 0.2\text{ V}$

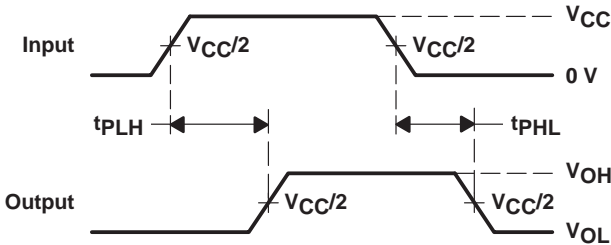


LOAD CIRCUIT

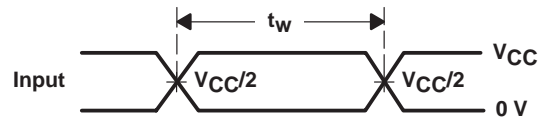
TEST	S1
t_{PLH}/t_{PHL}	Open
t_{PLZ}/t_{PZL}	2 $\times V_{CC}$
t_{PHZ}/t_{PZH}	GND



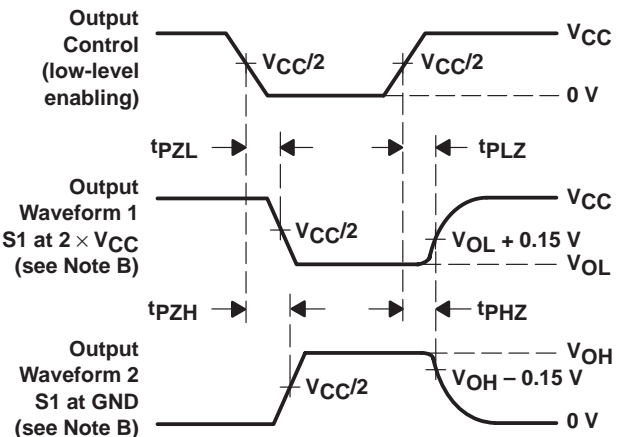
**VOLTAGE WAVEFORMS
SETUP AND HOLD TIMES**



**VOLTAGE WAVEFORMS
PROPAGATION DELAY TIMES**



**VOLTAGE WAVEFORMS
PULSE DURATION**



**VOLTAGE WAVEFORMS
ENABLE AND DISABLE TIMES**

- NOTES: A. C_L includes probe and jig capacitance.
 B. Waveform 1 is for an output with internal conditions such that the output is low except when disabled by the output control. Waveform 2 is for an output with internal conditions such that the output is high except when disabled by the output control.
 C. All input pulses are supplied by generators having the following characteristics: PRR $\leq 10\text{ MHz}$, $Z_O = 50\ \Omega$, $t_r \leq 2\text{ ns}$, $t_f \leq 2\text{ ns}$.
 D. The outputs are measured one at a time with one transition per measurement.

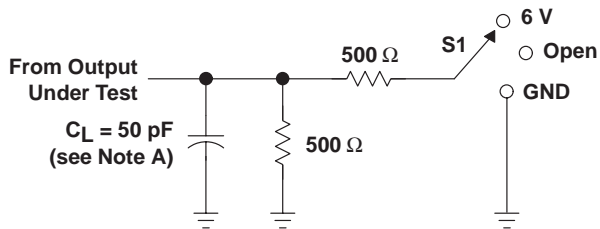
Figure 1. Load Circuit and Voltage Waveforms

SN54ALVTH16601, SN74ALVTH16601
2.5-V/3.3-V 18-BIT UNIVERSAL BUS TRANSCEIVER
WITH 3-STATE OUTPUTS

SCES143A – SEPTEMBER 1998 – REVISED JULY 1999

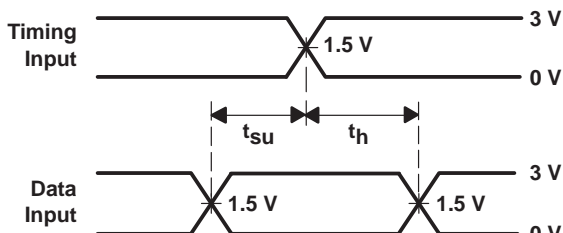
PARAMETER MEASUREMENT INFORMATION

$V_{CC} = 3.3\text{ V} \pm 0.3\text{ V}$

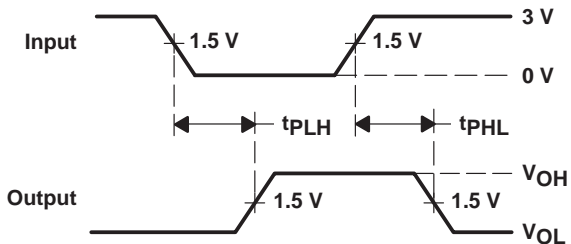


LOAD CIRCUIT

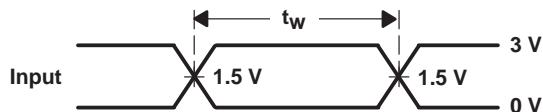
TEST	S1
t_{PLH}/t_{PHL}	Open
t_{PLZ}/t_{PZL}	6 V
t_{PHZ}/t_{PZH}	GND



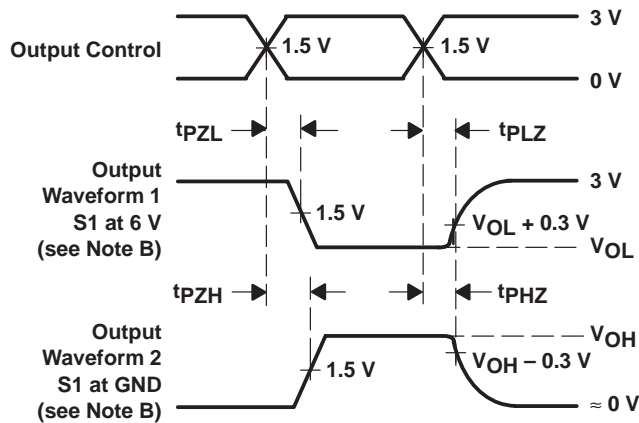
VOLTAGE WAVEFORMS
SETUP AND HOLD TIMES



VOLTAGE WAVEFORMS
PROPAGATION DELAY TIMES
INVERTING AND NONINVERTING OUTPUTS



VOLTAGE WAVEFORMS
PULSE DURATION



VOLTAGE WAVEFORMS
ENABLE AND DISABLE TIMES
LOW- AND HIGH-LEVEL ENABLING

- NOTES: A. C_L includes probe and jig capacitance.
B. Waveform 1 is for an output with internal conditions such that the output is low except when disabled by the output control. Waveform 2 is for an output with internal conditions such that the output is high except when disabled by the output control.
C. All input pulses are supplied by generators having the following characteristics: $PRR \leq 10\text{ MHz}$, $Z_O = 50\ \Omega$, $t_r \leq 2.5\text{ ns}$, $t_f \leq 2.5\text{ ns}$.
D. The outputs are measured one at a time with one transition per measurement.

Figure 2. Load Circuit and Voltage Waveforms

IMPORTANT NOTICE AND DISCLAIMER

TI PROVIDES TECHNICAL AND RELIABILITY DATA (INCLUDING DATA SHEETS), DESIGN RESOURCES (INCLUDING REFERENCE DESIGNS), APPLICATION OR OTHER DESIGN ADVICE, WEB TOOLS, SAFETY INFORMATION, AND OTHER RESOURCES "AS IS" AND WITH ALL FAULTS, AND DISCLAIMS ALL WARRANTIES, EXPRESS AND IMPLIED, INCLUDING WITHOUT LIMITATION ANY IMPLIED WARRANTIES OF MERCHANTABILITY, FITNESS FOR A PARTICULAR PURPOSE OR NON-INFRINGEMENT OF THIRD PARTY INTELLECTUAL PROPERTY RIGHTS.

These resources are intended for skilled developers designing with TI products. You are solely responsible for (1) selecting the appropriate TI products for your application, (2) designing, validating and testing your application, and (3) ensuring your application meets applicable standards, and any other safety, security, regulatory or other requirements.

These resources are subject to change without notice. TI grants you permission to use these resources only for development of an application that uses the TI products described in the resource. Other reproduction and display of these resources is prohibited. No license is granted to any other TI intellectual property right or to any third party intellectual property right. TI disclaims responsibility for, and you will fully indemnify TI and its representatives against, any claims, damages, costs, losses, and liabilities arising out of your use of these resources.

TI's products are provided subject to [TI's Terms of Sale](#) or other applicable terms available either on [ti.com](https://www.ti.com) or provided in conjunction with such TI products. TI's provision of these resources does not expand or otherwise alter TI's applicable warranties or warranty disclaimers for TI products.

TI objects to and rejects any additional or different terms you may have proposed.

Mailing Address: Texas Instruments, Post Office Box 655303, Dallas, Texas 75265
Copyright © 2023, Texas Instruments Incorporated