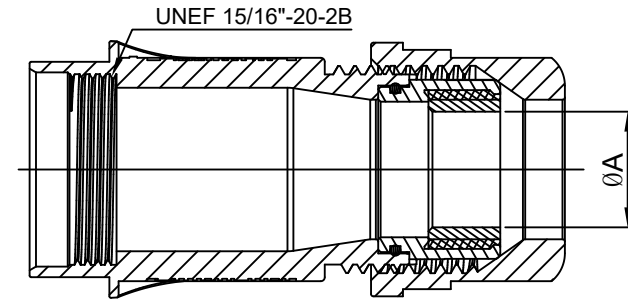
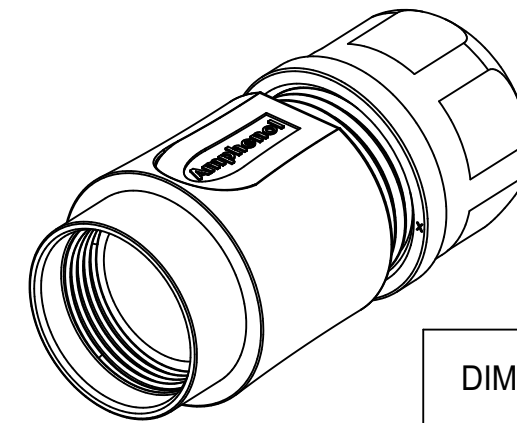
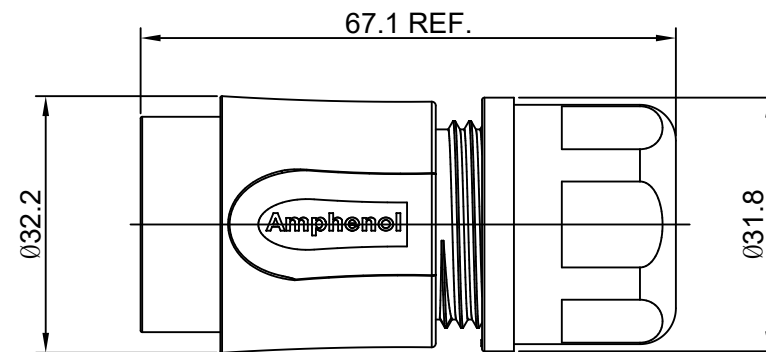
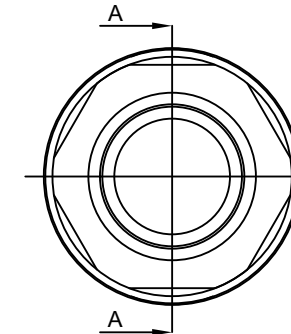


REVISIONS					
REV	ECO	DESCRIPTION	DATE	BY	APPR
01	-	RELEASED NUMBER	2018-02-28	Nick	TOMMY



SECTION A-A



DIMENSION ØA	CABLE OD RANGE
14.5 MM	10.0-14.0 MM
17.5 MM	13.5-17.0 MM

NOTES: (UNLESS OTHERWISE SPECIFIED)

- MATERIAL:
O-RING: SILICONE RUBBER.
BACK SHELL: THERMOPLASTIC, UL94 V-0.
CLAMP NUT: THERMOPLASTIC, UL94 V-0.
CLAMP RING: THERMOPLASTIC, UL94 V-0.
CABLE SEAL: EPDM.
- RoHS COMPLIANT.
- ALL DIMENSIONS ARE FOR REFERENCE USE ONLY.

QUANTITY	PART NUMBER	DESCRIPTION	ITEM
MATERIALS LIST			
UNLESS OTHERWISE SPECIFIED: 1) All dimensions are in metric(mm). 2) Tolerances are as follows: 1 PL DEC ±0.30 2 PL DEC ±0.15 3 PL DEC ±0.08 Fractions ±1/64 Angles ±1° 3) Note reference =		SIGNATURES DRAWN: Nick CHECKED: Tod ENGINEER: APPROVAL: Tommy DATE 2018-02-28 2018-02-28 2018-02-28	Amphenol Sine Systems - www.amphenol-sine.com 44724 Morley Drive Clinton Township, MI 48036
MATERIAL SPECIFICATIONS:		CUSTOMER:	ECO-MATE, CORD GRIP, RTS, SIZE 16.
PROCESS SPECIFICATIONS:		THIS DRAWING IS SUPPLIED FOR INFORMATION ONLY. DESIGN FEATURES, SPECIFICATIONS AND PERFORMANCE DATA SHOWN HEREON ARE THE PROPERTY OF THE AMPHENOL CORPORATION. NO RIGHTS OF REPRODUCTION ARE IMPLIED. ALL DIMENSIONS ARE SUBJECT TO NORMAL MANUFACTURING VARIATIONS.	
NEXT ASSY:		SIZE: B TYPE: C- SCALE: NONE	DWG NO: RTSOL-16CG REVISION: A1 SHEET 1 OF 1

TITLE: ECO-MATE, CORD GRIP, RTS, SIZE 16. DWG NO: RTSOL-16CG REV: A1 SH: 1 OF: 1