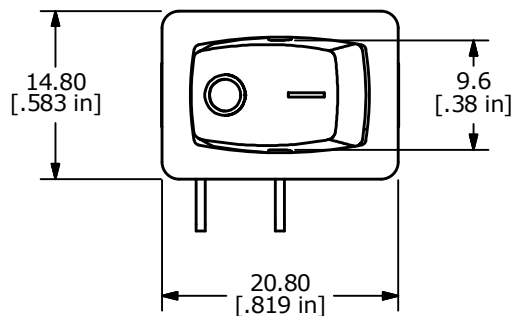
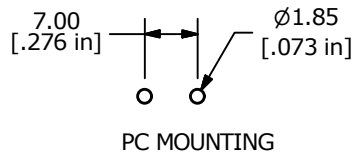
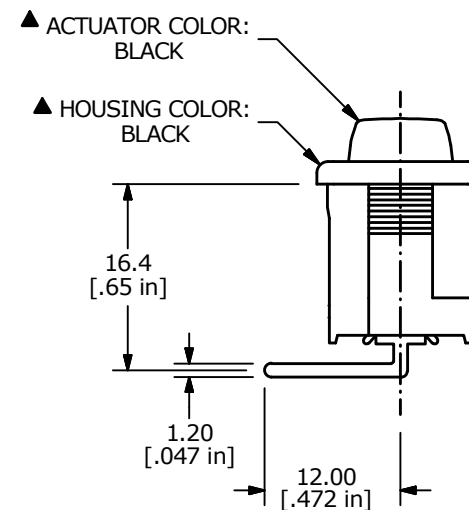
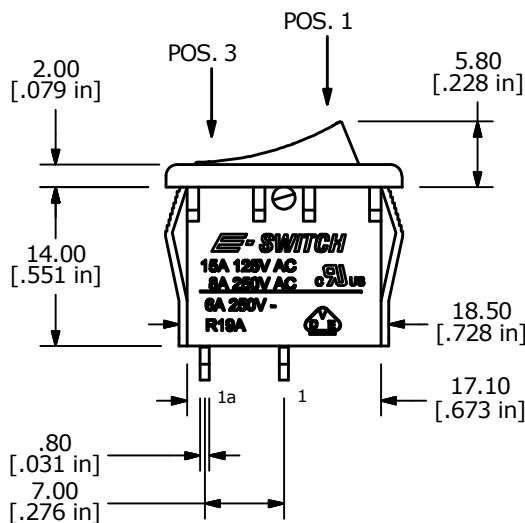
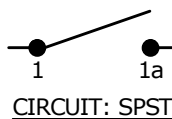


RECOMMENDED PANEL MOUNTING

PANEL THICKNESS	X
0.75-1.25	19.20-19.30
1.25-2.00	19.30-19.40
2.00-3.00	19.50-19.60



SWITCH FUNCTION		
POS. 1	POS. 2	POS. 3
ON	NONE	OFF
1a-1	N/A	OPEN



NOTES:

- ALL DIMENSIONS IN MM [INCH]
- GENERAL TOLERANCE: X.X=±0.4  
X.XX=±0.25
- TERM. NOS. FOR REF. ONLY
- RATING: 15A @125VAC [cURus]  
8A @250VAC [cURus]  
6A @250VAC [VDE]
- LAMP VOLTAGE: NO LAMP
- MATERIAL:  
CONTACT SURFACE: SILVER ALLOY  
TERMINAL: COPPER ALLOY w/SILVER PLATE
- ELECTRICAL LIFE: 10,000 CYCLES
- CONTACT RESISTANCE: <20 MILLI-OHMS INITIAL
- DIELECTRIC STRENGTH: >1,500V AC 1 MIN
- ▲ DENOTES CRITICAL PARAMETER.
- 2011/65/EU (ROHS) COMPLIANT.



REV	PCR NO	DESCRIPTION	DATE	BY
F	23216	UPDATED RATINGS AND DIM. TO 16.4	2/12/18	MJR
E	23057	UPDATED LAYOUT AND DIMENSIONS	10/23/17	MJR

E-SWITCH®				
TITLE R1966ABLKBLKFR				
SCALE	DATE	DR	DWG	REV
3:2	1/23/1996	MM	M301212	F

THE INFORMATION CONTAINED IN THIS DOCUMENT IS PROPRIETARY TO E-SWITCH AND IS NOT TO BE COPIED OR TRANSFERRED