

OV5650 5 megapixel product brief



available in
a lead-free
package

DSC-Quality Imaging for High-Performance Mobile Phones

Introducing the OV5650, OmniVision's latest 5 megapixel imaging solution for mobile phones featuring 1.75 μm OmniBSI™ (backside illumination) technology. OmniBSI technology delivers a number of performance improvements over front-side illumination (FSI) technology, including increased sensitivity per unit area, improved quantum efficiency, reduced crosstalk and photo response non-uniformity, which all lead to significant improvements in image quality.

Designed specifically to address consumer demand for digital still camera (DSC) quality imaging in a mobile phone, the OV5650 combines the industry's best low-light sensitivity at 1300 mV/(lux - sec) and a 2x improvement in (SNR10) signal-to-noise ratio (<70 lux), with the industry's lowest stack height – ideal for today's ultra-slim mobile phones.

The superior pixel performance of the 1/3.2 inch OV5650 enables high frame rate HD video at 60 frames per second (fps) with complete user control over formatting and output data transfer. The OV5650 supports a digital video parallel port or two-lane MIPI, and provides full-frame, windowed or scaled 10-bit images in RAW RGB format, and 256 bytes of available on-chip memory.

Automatic image control features and high frame rates for video encoding deliver vivid still and video images, even in the most challenging lighting conditions.

The OV5650 – simply the best 5 megapixel solution in its class. Find out more at www.ovt.com.

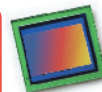
Applications

- Mobile Phones
- Games and Toys
- PC Multimedia

Product Features

- 1.75 μm OmniBSI technology
- industry's best low light sensitivity
- 2x improvement in (SNR10) signal-to-noise ratio < 70 lux
- industry's lowest stack height
- high frame HD video at 60 fps
- improved quantum efficiency and crosstalk
- programmable controls for mirror and flip, cropping, windowing, and panning
- image quality controls: lens correction, 2-D defective pixel canceling
- support for video or snapshot operations
- support for LED and flash strobe mode
- support for horizontal and vertical sub-sampling
- standard serial SCCB interface
- digital video port (DVP) parallel output interface
- MIPI interface (two lanes)
- 256 bytes of embedded one-time programmable (OTP) memory
- embedded 1.5 V regulator for core power
- programmable I/O drive capability, I/O tri-state configurability
- support for black sun cancellation
- suitable for module size of 8.5 x 8.5 x 6 mm

OV5650



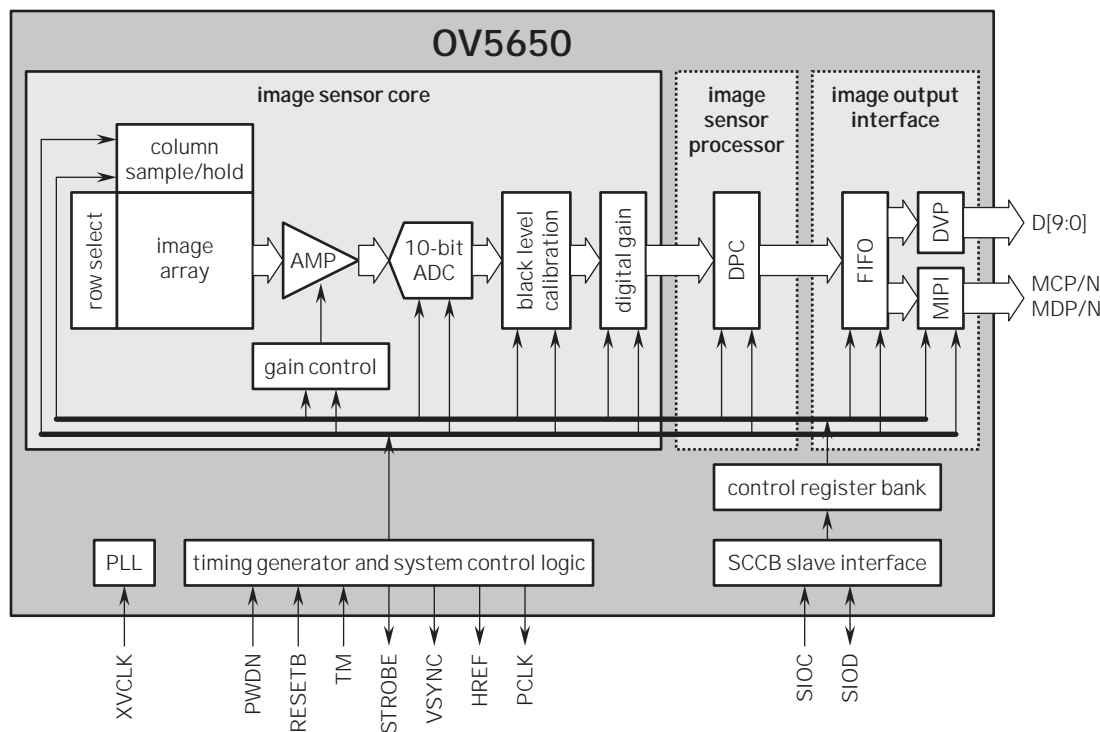
Ordering Information

- OV05650-A66A (color, lead-free, 66-pin CSP3)
- OV05650-G04A (color, chip probing, 200 μm backgrinding, reconstructed wafer)

Product Specifications

- active array size: 2592 x 1944
- S/N ratio: 37 dB
- power supply:
 - core: 1.5 V $\pm 5\%$ (with embedded 1.5 V regulator)
 - analog: 2.6-3.0 V (2.8 V typical)
 - I/O: 1.8 V/2.8 V
- power requirements:
 - active: 150 mA
 - standby: 40 μA
- temperature range:
 - operating: -30° C to 70° C
 - stable image: 0° C to 50° C
- output formats: 8/10-bit raw RGB output
- lens size: 1/3.2"
- lens chief ray angle: 25°
- input clock frequency: 6-27 MHz
- dynamic range: 69 dB
- maximum image transfer rate:
 - QSXGA (2592 x 1944): 15 fps
 - 1080p: 30 fps
 - 720p: 60 fps
 - VGA (640 x 480): 90 fps
 - QVGA (320 x 240): 120 fps
- sensitivity: 1300 mV/(lux · sec)
- shutter: rolling shutter
- pixel size: 1.75 μm x 1.75 μm
- image area: 4592 μm x 3423 μm
- package/die dimensions:
 - CSP3: 6505 μm x 6005 μm
 - COB: 6500 μm x 6000 μm

Functional Block Diagram



4275 Burton Drive
Santa Clara, CA 95054
USA

Tel: + 1 408 567 3000
Fax: + 1 408 567 3001
www.ovt.com

OmniVision reserves the right to make changes to their products or to discontinue any product or service without further notice. OmniVision and OmniPixel are registered trademarks of OmniVision Technologies, Inc. The OmniVision logo and OmniBSI are trademarks of OmniVision Technologies, Inc. All other trademarks are the property of their respective owners.