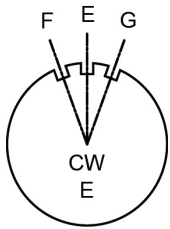


Connector Solutions M23 Standard Series

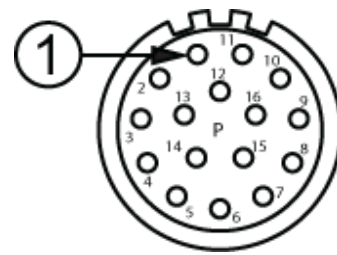
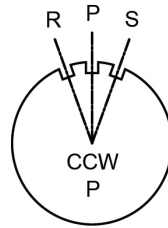
STEP 1
Choose Plug

STEP 2
Choose Receptacle

STEP 3
Choose Backshell/Cord Grip



Standard connector parts mate "E"
Plugs with "P" Receptacles, Mating
parts use opposite contact types.
*example: plug with pin contacts
mates with a receptacle using socket
contacts.*
Other key code options available
not listed here. Please call customer
service for assistance when ordering
F,G,R,S. See page 16 for connector
configurations



Plugs



MA1CAP1600



MA1EAP1600



MA2CAP1600

Receptacles



MA1LAE1600



MA7RAE1601
MA7RAE1602



MA1JAE1600



MA3TNE1600-S1
MA3TNE1600-S2
MA3TNE1600-S3



MA2LAE1600



MA5RAE1601
MA5RAE1602



MA2JAE1600

Cord Grips



MA6CG-S1
MA6CG-S2
MA6CG-S3

FlexGrip™ Backshell System



MA4FSR-A8.5
MA4FSR-A10.5
MA4FSR-A12.8

more about
FlexGrip™
on page 282

**BULK CABLE
starts on
page 23**

Receptacle Kits



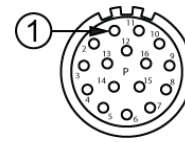
MA1LAE1600-KIT
MA1LAE1600S-KIT



MA2LAE1600-KIT
MA2LAE1600S-KIT

SEE TABLE ON NEXT PAGE FOR PART DETAILS

CONTACTS SOLD SEPARATELY SEE PAGE 174



16 POSITIONS
9A / 125V
P type

Style: P type Plug Number of Contacts: 16 Contact Size: 1.0mm
 Sealing: IP66/67 AWG: 22-18 (0.37 - 0.75 mm²) / 24-28 (0.25 - 0.10 mm²)



Checkmate™ Connector Part Numbers

| Part Number | Connector Type <i>Checkmate™ parts will mate with threaded parts. Just remove the O-ring from the threaded part.</i> | Style | Contact Type male = pin mates with female = socket ↓Mating Parts↓ | | Figure Drawings |
|-----------------|---|-------|---|--------|-----------------|
| MA2CAP1600 | Plug, straight Checkmate™ | P | Pin | Socket | 1 |
| MA2LAE1600 | Receptacle, straight, flange mount, Checkmate™ | E | Socket | Pin | 2 |
| MA2LAE1600-KIT | Receptacle Kit, straight, flange mount, Checkmate™ | E | Pin | | 2 |
| MA2LAE1600S-KIT | Receptacle Kit, straight, flange mount, Checkmate™ | E | | Socket | 2 |
| MA2JAE1600 | Receptacle extension, Checkmate™ | E | Socket | Pin | 3 |
| MA5RAE1601* | Receptacle, 90° rotatable, Checkmate™ Standard Flange (25.7x25.7) | E | Socket | Pin | 4 |
| MA5RAE1602* | Receptacle, 90° rotatable, Checkmate™ Large Flange (28.0x28.0) | E | Socket | Pin | 5 |

↑ Contacts supplied separately see Chart 1 page 174

Threaded Connector Part Numbers

| Part Number | Connector Type <i>Checkmate™ parts will mate with threaded parts. Just remove the O-ring from the threaded part.</i> | Style | Contact Type male = pin mates with female = socket ↓Mating Parts↓ | | Figure Drawings |
|-----------------|---|-------|---|--------|-----------------|
| MA1CAP1600 | Plug, straight, threaded | P | Pin | Socket | 6 |
| MA1EAP1600 | Plug, 90° rotatable, threaded | P | Pin | Socket | 7 |
| MA1LAE1600 | Receptacle, straight, flange mount, threaded | E | Socket | Pin | 8 |
| MA1LAE1600-KIT | Receptacle kit, straight, threaded. Contacts Included | E | | Pin | 8 |
| MA1LAE1600S-KIT | Receptacle kit, straight, threaded. Contacts included | E | Socket | | 8 |
| MA3TNE1600-S1 | Receptacle, bulkhead, threaded, 4.5-7.5mm | E | Socket | Pin | 9 |
| MA3TNE1600-S2 | Receptacle, bulkhead, threaded, 7.5-11.0mm | E | Socket | Pin | 10 |
| MA3TNE1600-S3 | Receptacle, bulkhead, threaded, 11.0-15.0mm | E | Socket | Pin | 11 |
| MA7RAE1601* | Receptacle, 90° rotatable, threaded Standard Flange (25.7x25.7) | E | Socket | Pin | 12 |
| MA7RAE1602* | Receptacle, 90° rotatable, threaded Large Flange (28.0x28.0) | E | Socket | Pin | 13 |
| MA1JAE1600 | Receptacle extension, threaded | E | Socket | Pin | 14 |

↑ Contacts supplied separately see Chart 1 page 174

*Elite Series receptacles are offered here as additional options for mating with Standard Series plugs. See Assembly Instructions starting on page 266

Style: P type Plug **Number of Contacts: 16** **Contact Size: 1.0mm**
 Sealing: IP66/67 AWG: 22-18 (0.37 - 0.75 mm²) / 24-28 (0.25 - 0.10 mm²)

Cord Grips and Backshells

| Part Number | Type | Cable Range (mm) | Figure Drawings |
|---------------|----------------------|------------------|-----------------|
| MA6CG-S1 | Cord grip | 4.5-7.5mm | 15 |
| MA6CG-S2 | Cord grip | 7.5-11.0mm | 15 |
| MA6CG-S3 | Cord grip | 11.0-15.0mm | 15 |
| MA4FSR-A8.5* | Flex Grip™ backshell | 7.5-8.5mm | 16 |
| MA4FSR-A10.5* | Flex Grip™ backshell | 9.5-10.5mm | 16 |
| MA4FSR-A12.8* | Flex Grip™ backshell | 11.5-12.8mm | 16 |

*Must be potted to achieve IP67 ratings.

Contacts

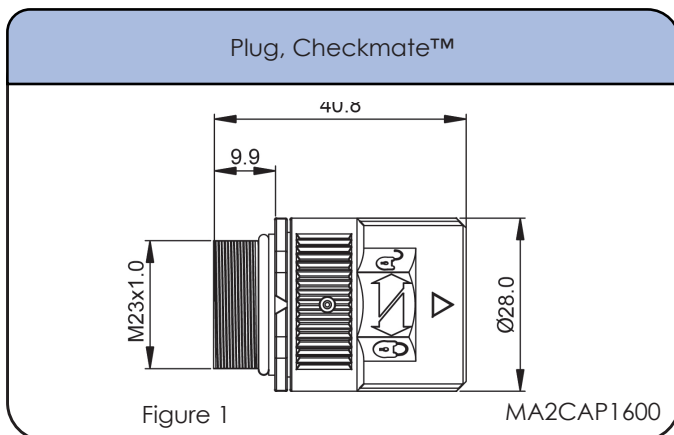


CHART 1 Crimp Contacts, Machined

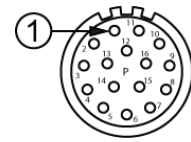
| Part Number | Pin/Socket | AWG | mm ² | Plating |
|-------------|------------|-------|-----------------|---------|
| SC000035 | Pin | 22-18 | 0.37 - 0.75 | Gold |
| SC000146 | Pin | 28-24 | 0.10 - 0.25 | Gold |
| SC000044 | Socket | 22-18 | 0.37 - 0.75 | Gold |
| SC000030 | Socket | 28-24 | 0.10 - 0.25 | Gold |

Checkmate™ Dimensions Straight Plug

See Chart 1 for contacts options



Complete datasheets can be found at www.amphenol-sine.com

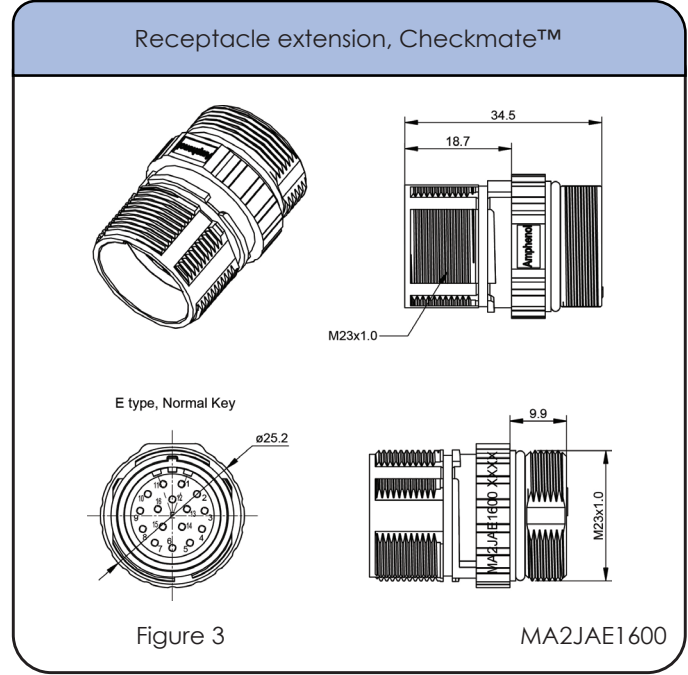
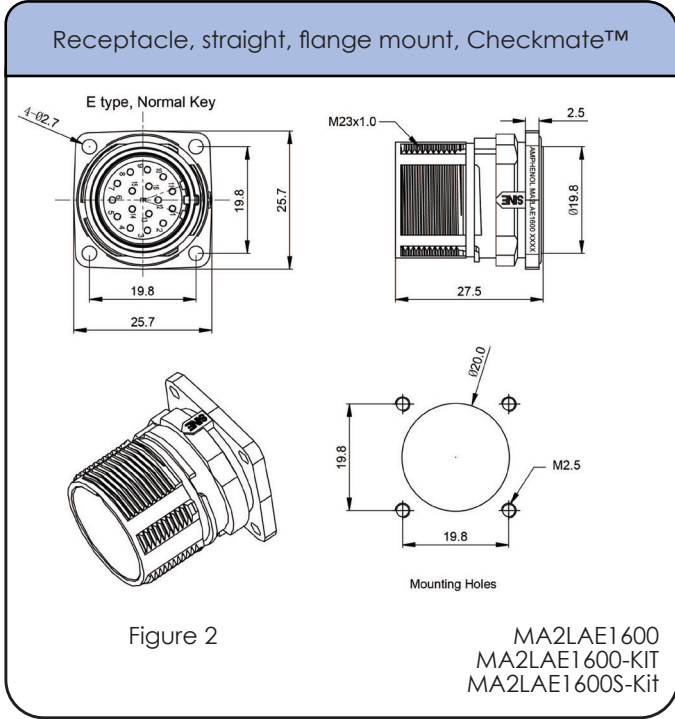


16 POSITIONS
9A / 125V
P type

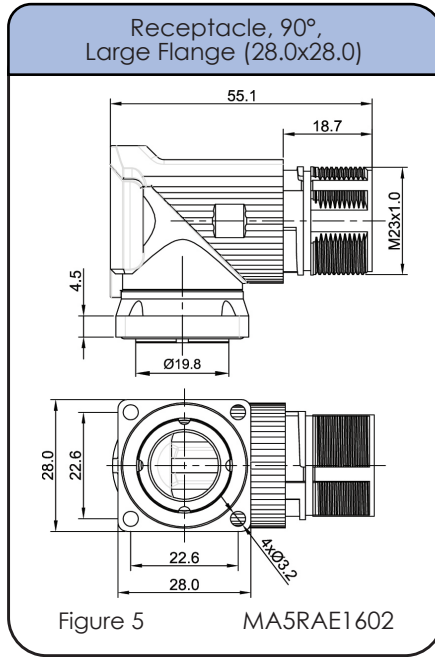
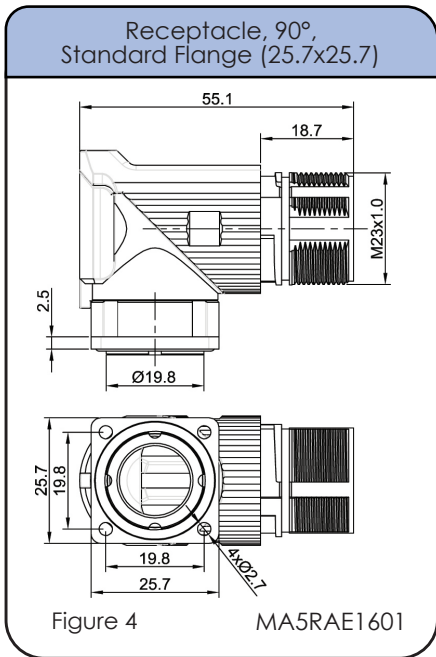
Style: P type Plug Number of Contacts: 16 Contact Size: 1.0mm
 Sealing: IP66/67 AWG: 22-18 (0.37 - 0.75 mm²) / 24-28 (0.25 - 0.10 mm²)

Checkmate™ Dimensions Receptacles

See Chart 1 for contacts options



See Chart 1 for contacts options

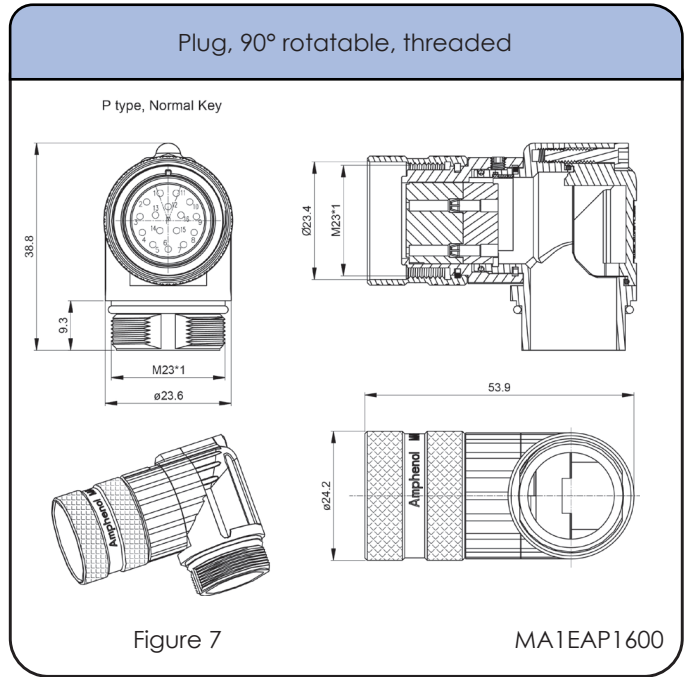
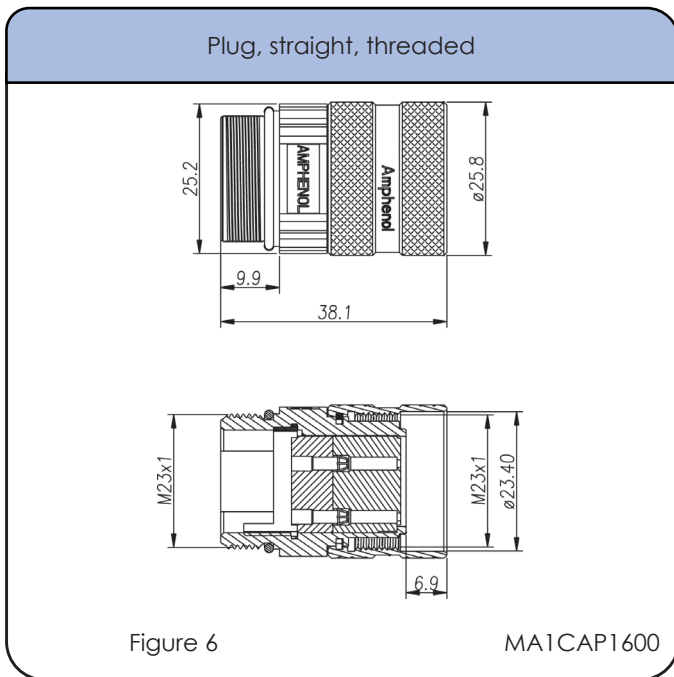


Complete datasheets can be found at www.amphenol-sine.com

Style: P type Plug **Number of Contacts: 16** **Contact Size: 1.0mm**
 Sealing: IP66/67 AWG: 22-18 (0.37 - 0.75 mm²) / 24-28 (0.25 - 0.10 mm²)

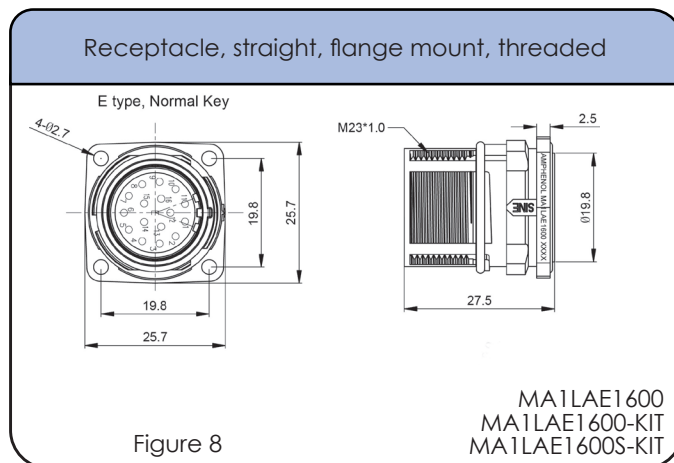
Threaded Dimensions Straight Plug/ 90° Plug / Plug Kits

See Chart 1 for contacts options



Threaded Dimensions Straight Receptacles /Receptacle Kits

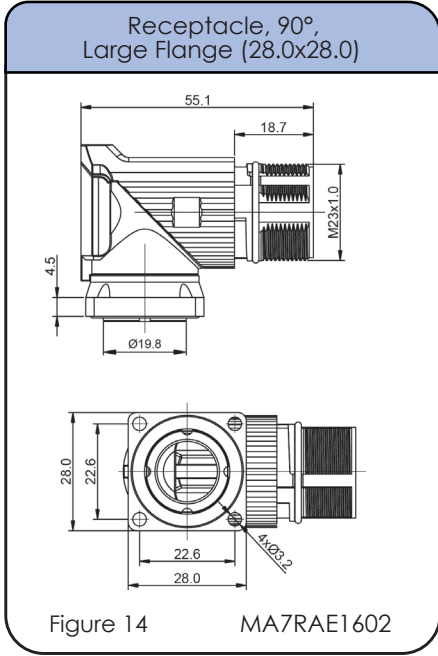
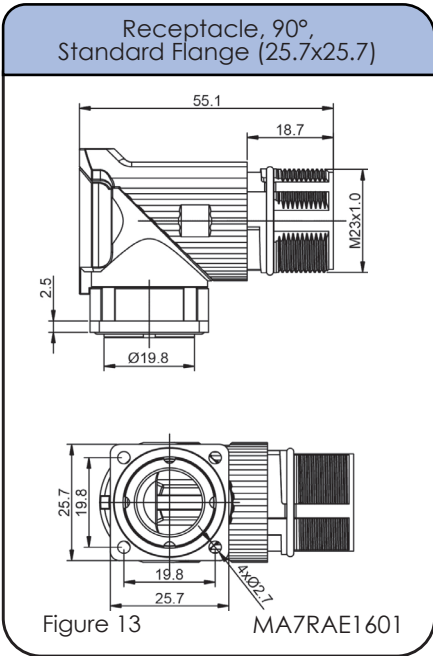
See Chart 1 for contacts options



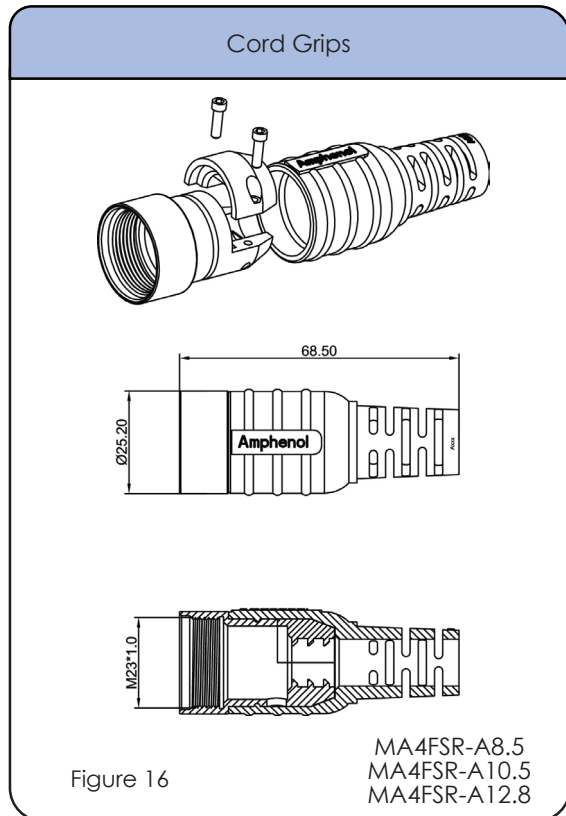
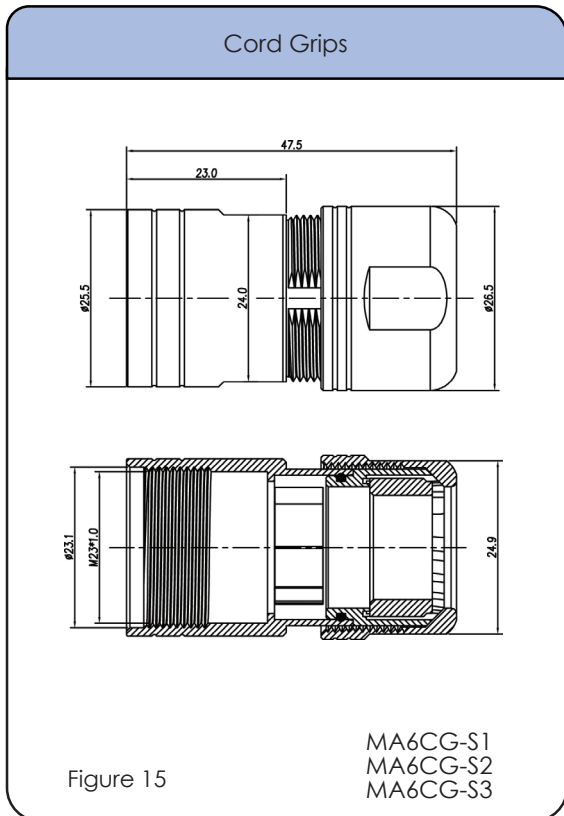
Complete datasheets can be found at www.amphenol-sine.com

Style: P type Plug Number of Contacts: 16 Contact Size: 1.0mm
 Sealing: IP66/67 AWG: 22-18 (0.37 - 0.75 mm²) / 24-28 (0.25 - 0.10 mm²)

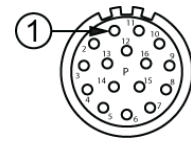
Threaded Dimensions 90° Rotatable Receptacles
 See Chart 1 for contacts options



Dimensions Cord Grips / Backshells



Complete datasheets can be found at www.amphenol-sine.com



16 POSITIONS
9A / 125V
P type Plug

Style: P type Plug Number of Contacts: 16 Contact Size: 1.0mm
 Sealing: IP66/67 AWG: 22-18 (0.37 - 0.75 mm²) / 24-28 (0.25 - 0.10 mm²)

Tools & Accessories

Universal hand crimp tool. Uses universal positioner part no. SK2-2*
 Wire range 20-32AWG



AFM8

Universal hand crimp tool. Uses universal positioner part no. UH2-5*
 Wire range 12-26AWG



AF8

Pneumatic crimp tool. Uses universal positioner part no. SK2-2*
 Wire range 20-32AWG



WA22

Universal positioner is used with crimp tools AFM8 and WA22.
 Wire range 20-32AWG



SK2-2

Universal positioner is used with the universal hand crimp tool (AF8).
 Wire range 12-26AWG



UH2-5

Pneumatic crimp tool. Uses universal positioner part no. UH2-5*.
 Wire range 12-26AWG



WA27F

Extraction tool. Used for removal of 1.0mm contacts from inserts.



50-54931-1

Dust Cap for Receptacle



P29687

Dust Cap for Plug, threaded



P31660

Dust Cap for Plug, Checkmate™



P31662

* The universal positioner is not included with the crimp tools and must be ordered separately.

Complete datasheets can be found at www.amphenol-sine.com