

# Product Change Notification

PCN16-06-KXT1

---

**C&K**

2 rue Berthollet - B.P. 359 F-39105 Dole Cedex - France  
Tel :+33 (0)3 84 72 81 12      [www.ckswitches.com](http://www.ckswitches.com)

Document subject to change without prior notice

## Document revision

Revision	Date	Description	Author
A	December 22, 2016	Replacement of KXT1 by KXT3	J. Smolinski

---

**C&K**

2 rue Berthollet - B.P. 359 F-39105 Dole Cedex - France  
Tel : +33 (0)3 84 72 81 12      [www.ckswitches.com](http://www.ckswitches.com)

Document subject to change without prior notice

## Summary

1. Purpose .....	4
2. Overview.....	4
3. Impact of Change .....	4
4. Part numbers affected .....	5
5. Date and conditions of application .....	5
6. Support .....	5

---

**C&K**

2 rue Berthollet - B.P. 359 F-39105 Dole Cedex - France  
Tel :+33 (0)3 84 72 81 12      [www.ckswitches.com](http://www.ckswitches.com)

Document subject to change without prior notice

## 1. Purpose

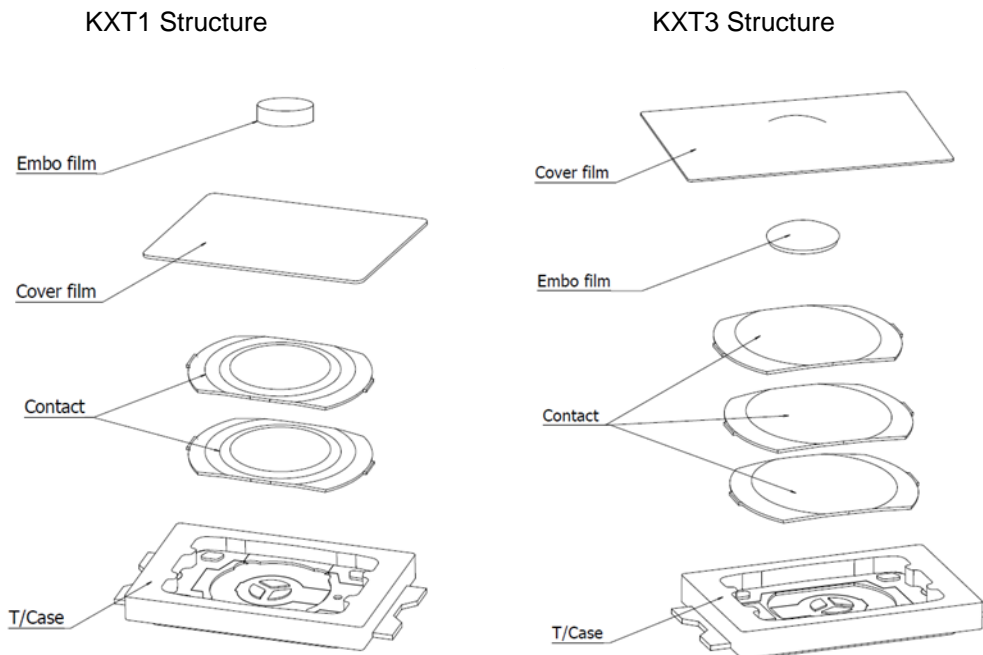
C&K components, as design and manufacturing company for micro-miniature tact switches, is constantly looking to improve the manufacturing means and processes in order to continue serving its customers with the highest performance level

As part of this continuous improvement policy, we have decided to move away from KXT1 architecture to a renewed, improved version of it, called KXT3

## 2. Overview

KXT is using a different configuration than KXT1, with a laser bounded sealing film and the possibility to use multiple domes. This setup enlarges the actuation forces choice, and extends life time from 300K cycles to 500K cycles for the most popular versions. Using laser bounding makes the sealing less sensitive to sweat or other contaminants

## 3. Impact of Change



KXT1 has a cover film glued to the T/case with actuator glued on top of it.

KXT3 uses a laser bounded cover film to the T/case with the actuator re located below this sealing film

KXT3 PCB layout and other dimensions are similar to KXT1 (see drawings on annex 1) KXT3 can immediately replace KXT1 without mechanical impact in the system

---

### C&K

2 rue Berthollet - B.P. 359 F-39105 Dole Cedex - France  
Tel :+33 (0)3 84 72 81 12      www.ckswitches.com

Document subject to change without prior notice

**4. Part numbers affected**

<b>Existing</b>	<b>Force</b>	<b>Life cycles</b>	<b>New- Replacing</b>	<b>Force</b>	<b>Life cycles</b>
KXT111 LHS	100±50gf	300,000	KXT311 LHS	100±50gf	300,000
KXT121 LHS	180±50gf	300,000	KXT321 LHS	160±50gf	500,000
KXT131 LHS	240±70gf	300,000	KXT331 LHS	240±70gf	500,000
			KXT341 LHS	330±70gf	300,000

**5. Date and conditions of application**

Existing orders will be fulfilled until KXT3 is approved. Last Time buy is February 28<sup>th</sup> 2017

This is transitioned as a running change. EOL is 31<sup>st</sup> of March 2017

Price of product does not change. New parts numbers will effective on our website second week of January as well as updated price list

**6. Support**

For any question, please contact your C&K sales representative or email me at [jerome.smolinski@ckswitches.com](mailto:jerome.smolinski@ckswitches.com)

ANNEX 1 – KXT& and KXT3 drawings

---

**C&K**

2 rue Berthollet - B.P. 359 F-39105 Dole Cedex - France  
Tel :+33 (0)3 84 72 81 12      [www.ckswitches.com](http://www.ckswitches.com)

Document subject to change without prior notice

