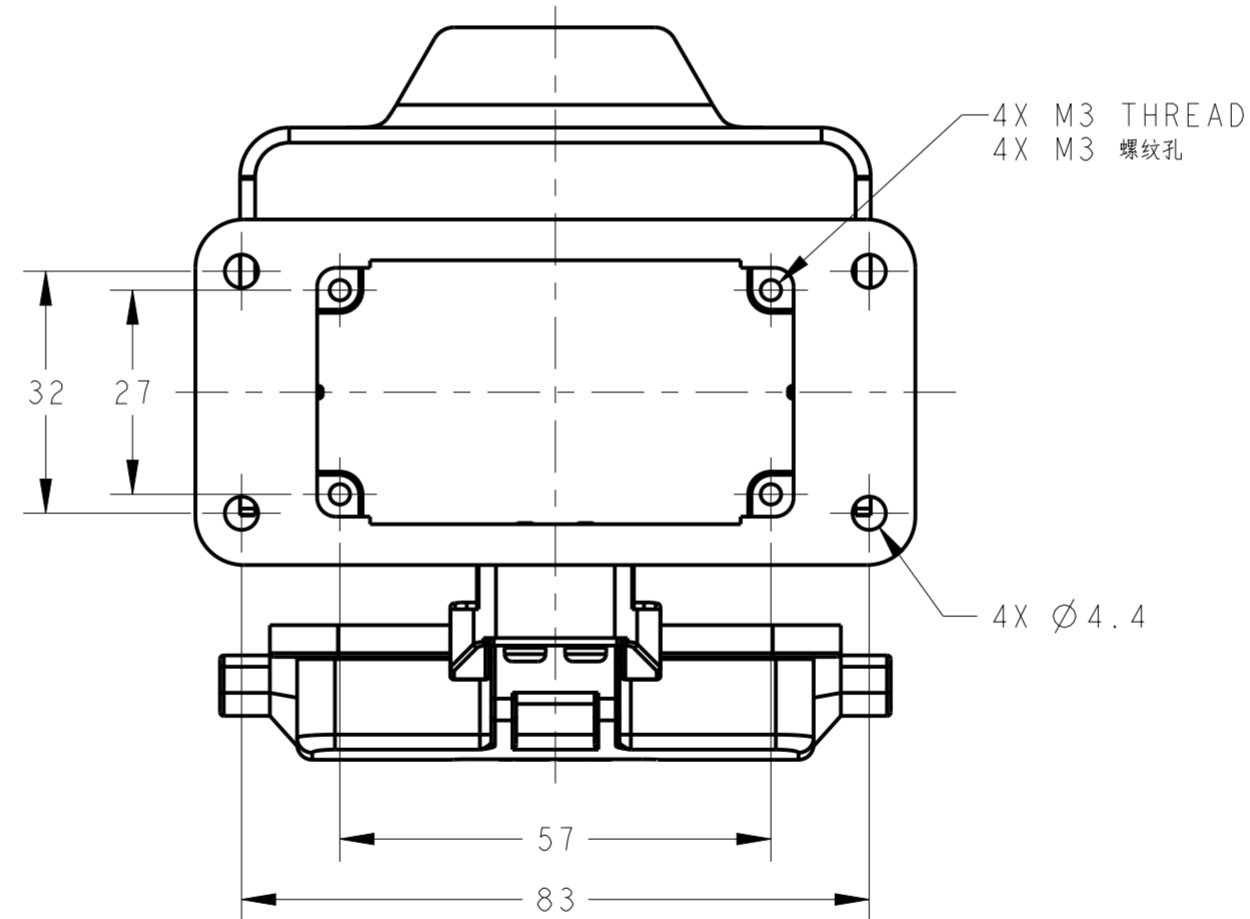
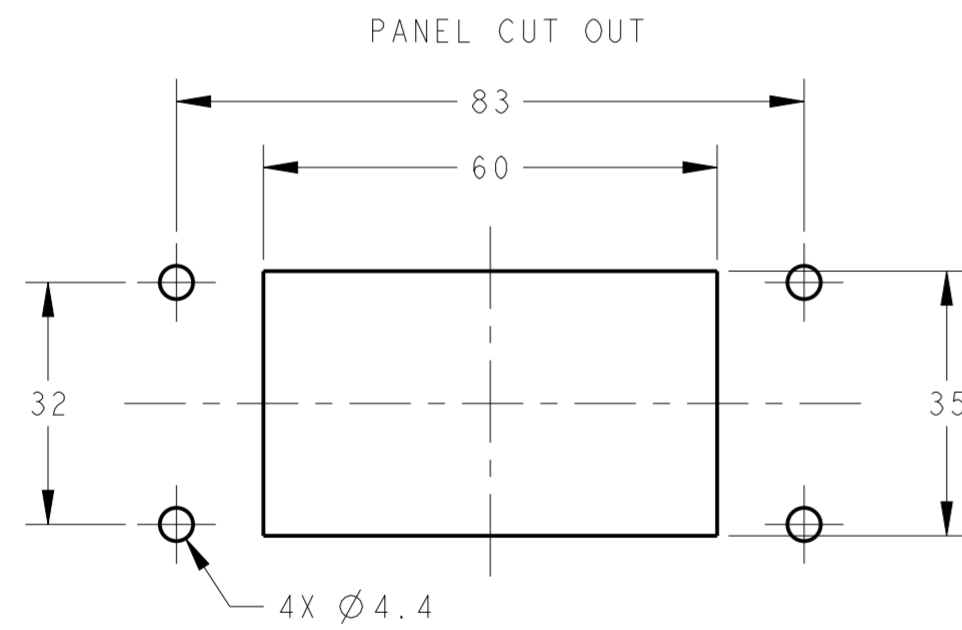
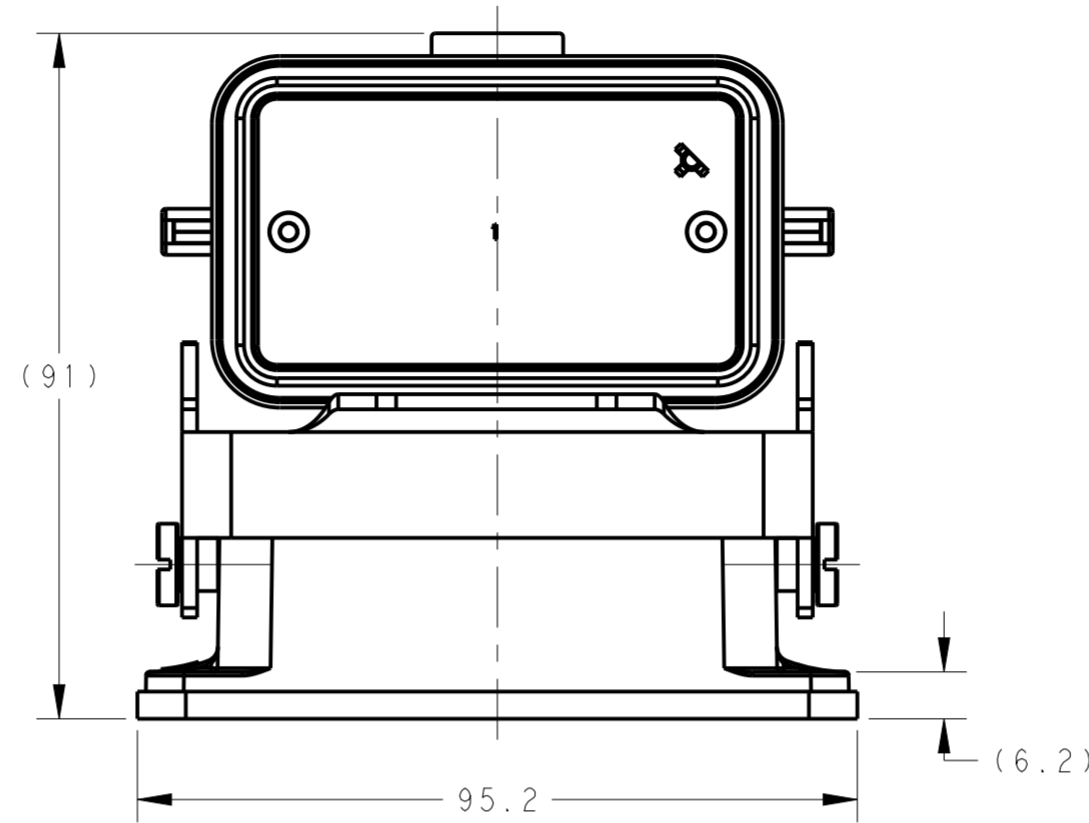
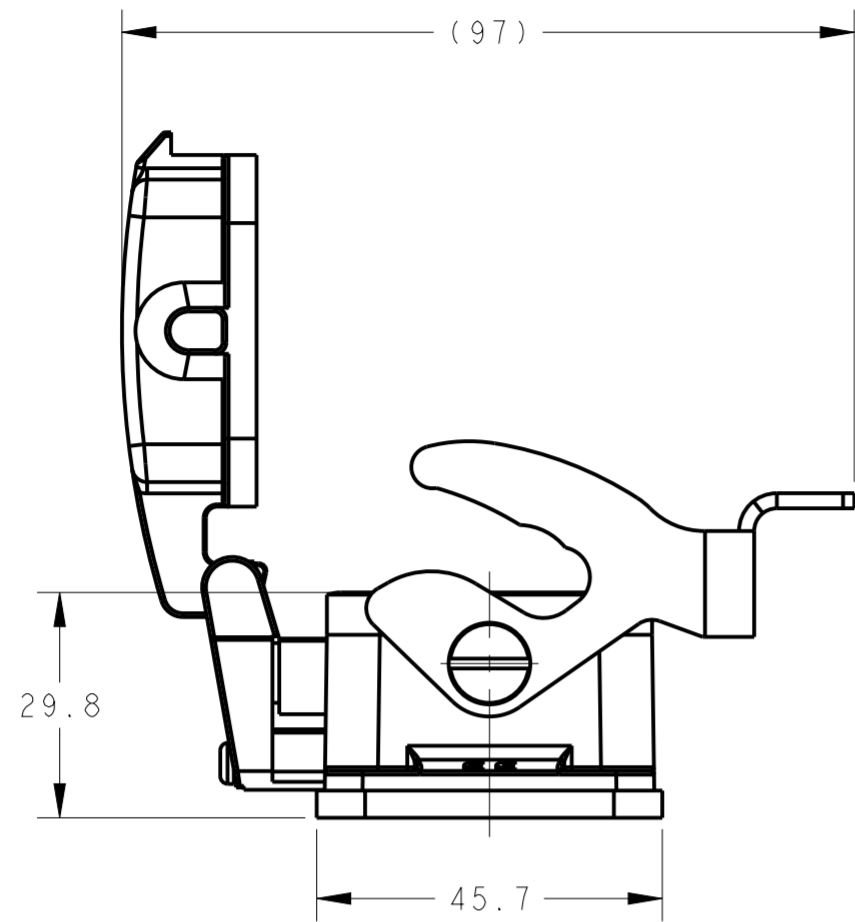


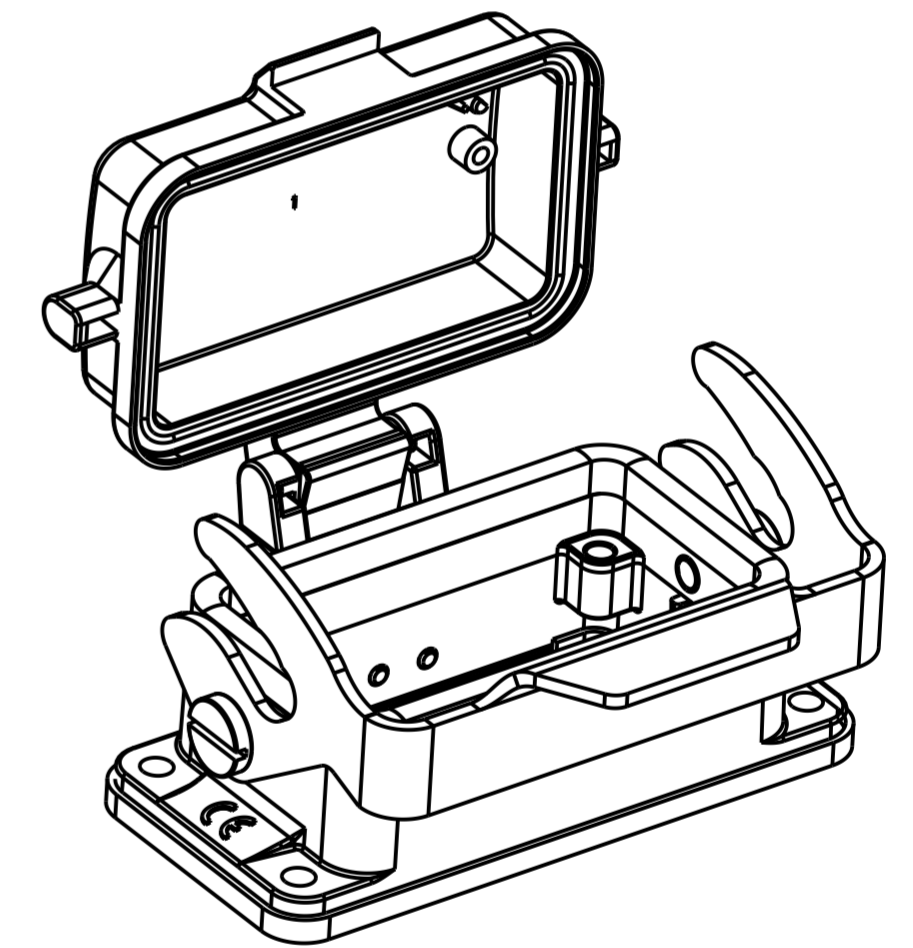
THIS DRAWING IS UNPUBLISHED. RELEASED FOR PUBLICATION 20  
 © COPYRIGHT 20 BY - ALL RIGHTS RESERVED.

REVISIONS				
P	LTR	DESCRIPTION	DATE	APVD
A		INITIAL	25JUN2015	DW CW
B		ECR-20-008181	13JUL2020	WOR CW



NOTES:  
 1. TECHNICAL CHARACTERISTICS:  
 HOUSING MATERIAL: DIE CAST ALUMINIUM ALLOY  
 SURFACE: POWDER COATED, GREY  
 DEGREE OF PROTECTION: IP65 (MATED)

注释:  
 1. 技术参数:  
 下壳材料: 铝合金  
 表面处理: 粉末涂层, 灰色  
 防护等级: IP65(配合)



T1510103000-000	H10B-AD-LB	H10B HOUSING,BULKHEAD MOUNTED,METAL SINGLE LOCKING, PLASTIC PROTECTION COVER,POWDER COATED,GREY H10B下壳,开孔安装,彩锌单扣,带塑料保护盖,灰色粉末喷涂
PART NUMBER 料号	PART DESCRIPTION 描述	

THIS DRAWING IS A CONTROLLED DOCUMENT.		DWN 25JUN2015 David Wang	TE Connectivity													
DIMENSIONS:		CHK 25JUN2015 Chris Wang														
TOLERANCES UNLESS OTHERWISE SPECIFIED:		APVD 25JUN2015 Xiang Xu														
<table border="1"> <tr><td>0 PLC</td><td>±</td></tr> <tr><td>1 PLC</td><td>±</td></tr> <tr><td>2 PLC</td><td>±</td></tr> <tr><td>3 PLC</td><td>±</td></tr> <tr><td>4 PLC</td><td>±</td></tr> <tr><td>ANGLES</td><td>±</td></tr> <tr><td>FINISH</td><td>±</td></tr> </table>		0 PLC		±	1 PLC	±	2 PLC	±	3 PLC	±	4 PLC	±	ANGLES	±	FINISH	±
0 PLC	±															
1 PLC	±															
2 PLC	±															
3 PLC	±															
4 PLC	±															
ANGLES	±															
FINISH	±															
MATERIAL	-	NAME H10B-AD-LB	RESTRICTED TO													
		SIZE A2	CAGE CODE 00779													
		DRAWING NO G-T1510103000000	SCALE 1:1													
		SHEET 1	OF 1													
		REV B														