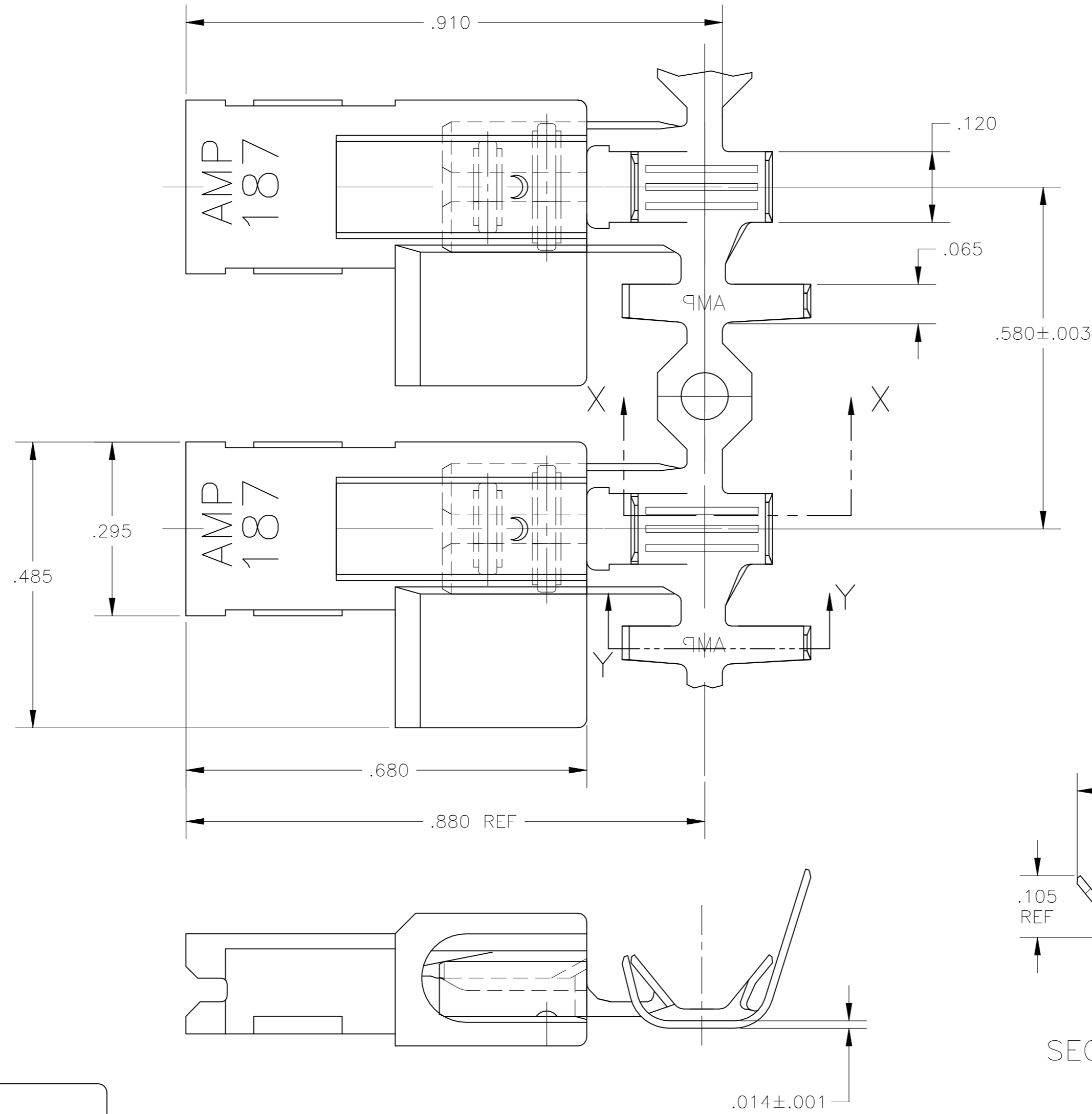
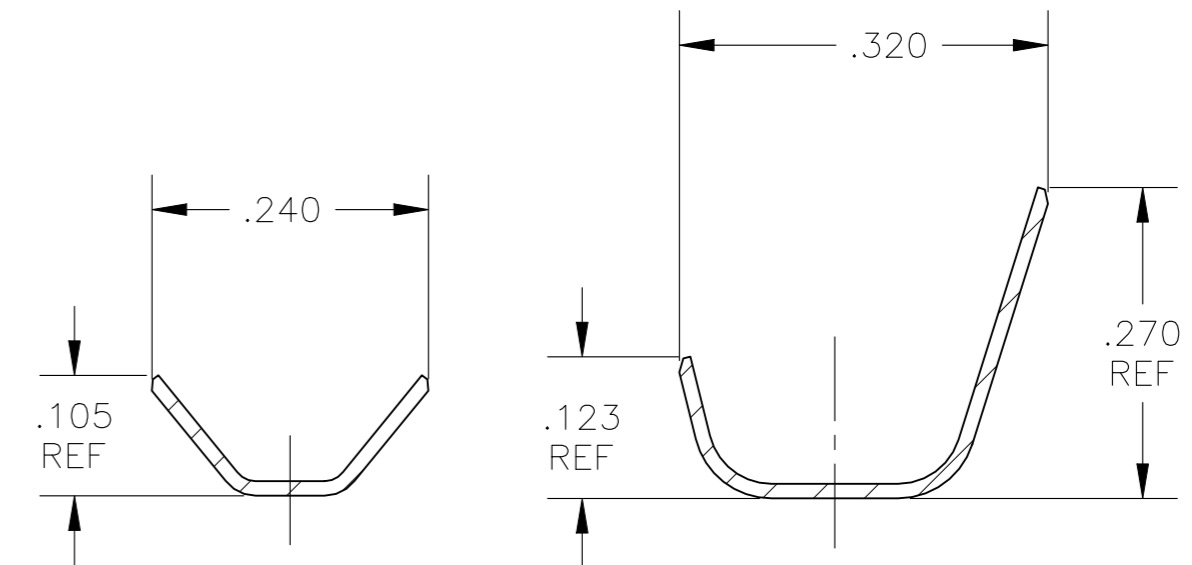


REVISIONS					
P	LTR	DESCRIPTION	DATE	DWN	APVD
	H3	REVISED PER ECR-22-160893	15DEC2022	DB	BW

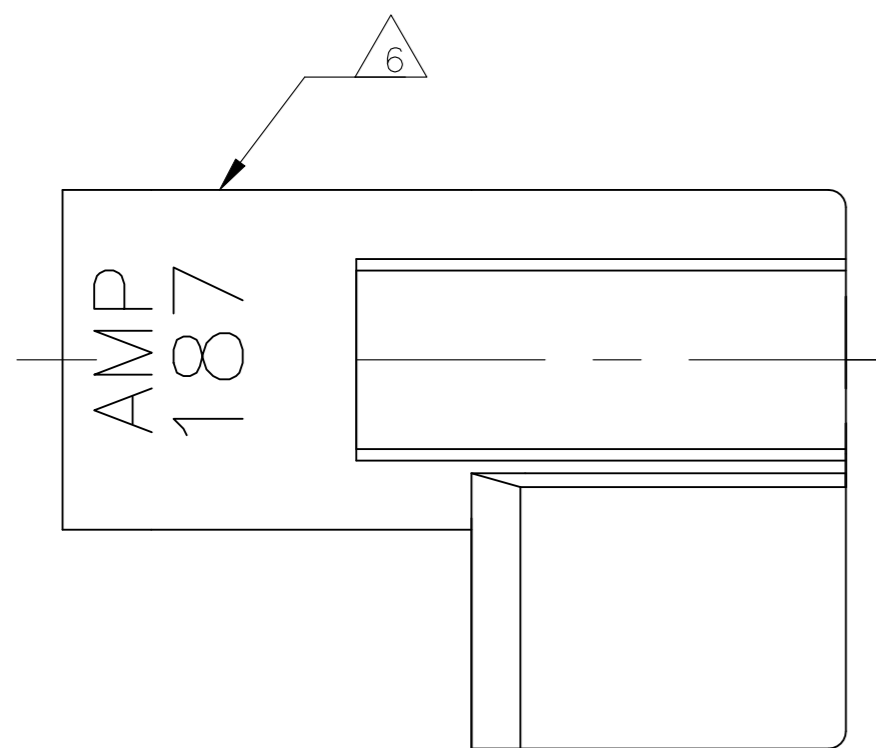


- 2 WIRE SIZES & COMBINATIONS: #18, #16, #14, (2)#20, (2)#18
- 3 INSULATION RANGE IS .110-.150 DIA OR TWO AT .110 MAX DIA.
- 4 MATERIAL;  
TERMINAL: BRASS, FINISH SEE TABLE  
HOUSING: 6/6 NYLON, V2, NATURAL COLOR
- 5 FITS .187 X .032±.001 THK FASTON TAB
- 6 ALTERNATIVE HOUSING FORM
- 7 NOTE REMOVED



SECTION X-X

SECTION Y-Y



TIN PLATE	△7	521599-2
NO PLATING	△7	521599-1
TERMINAL: FINISH		PART NO.

SUPERSEDED BY 521599-2

THIS DRAWING IS A CONTROLLED DOCUMENT.		DWN	JR RUTH	30JUL03
DIMENSIONS: INCHES		CHK	J HUMMEL	24JUL03
TOLERANCES UNLESS OTHERWISE SPECIFIED:		APVD	KRISTY YI	24JUL03
0 PLC ± -		PRODUCT SPEC	108-2215	
1 PLC ± -		APPLICATION SPEC	114-2124	
2 PLC ± -		WEIGHT	0.000000	
3 PLC ± .010		CUSTOMER DRAWING		
4 PLC ± -		SCALE	6:1	
ANGLES ± -		SHEET	1 of 1	
FINISH		REV	H3	
SEE NOTES				

TE Connectivity	
ASSEMBLY, RECPT, FLAG, ULTRA-POD, .187 SERIES 18-14 AWG, V2 HOUSING	
SIZE	A2
CAGE CODE	00779
DRAWING NO	C=521599
RESTRICTED TO	-