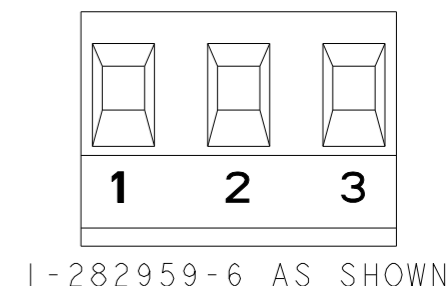
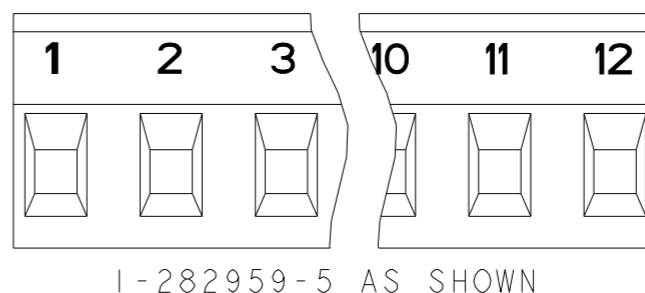
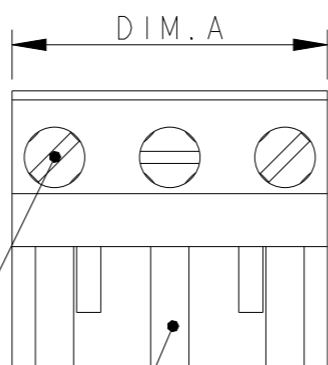
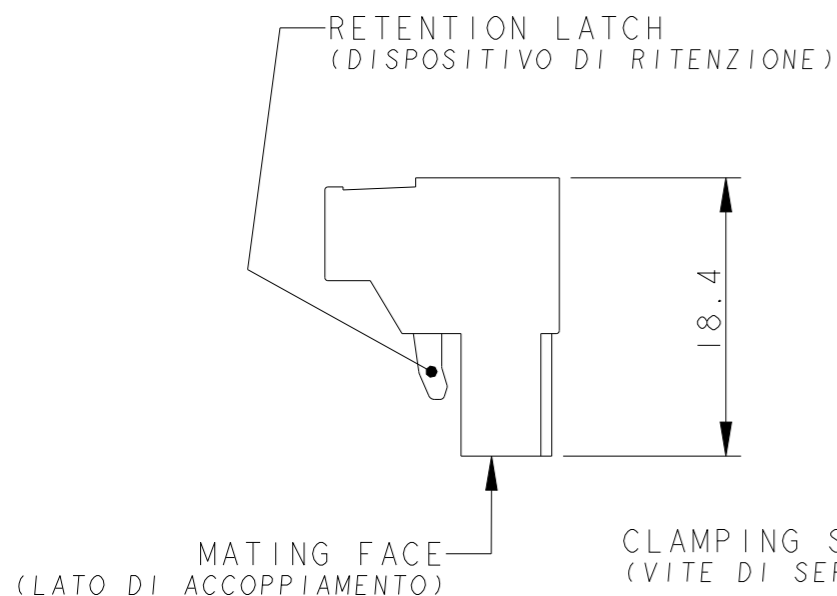


LOC	DIST
FT	0

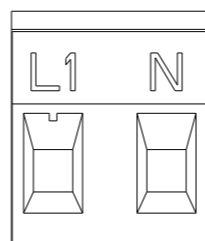
REVISIONS					
P	LTR	DESCRIPTION	DATE	DWN	APVD
	C4	PN 2-282959-0 RELEASED FOR PRODUCTION	04DEC2018	RK	PS
	C5	PART OBSOLETE	30JUL2021	GMN	PS



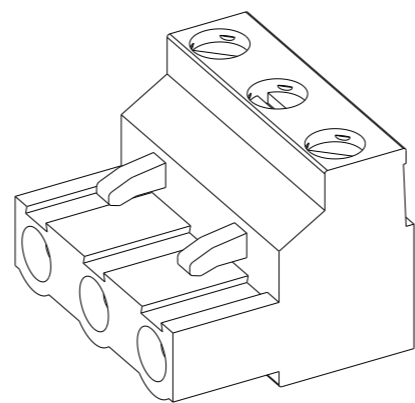
MATING FACE (LATO DI ACCOPPIAMENTO)

CLAMPING SCREW (VITE DI SERRAGGIO)

POLARIZATION KEY SLOT (SEDE PER LINGUETTE DI CODIFICA)

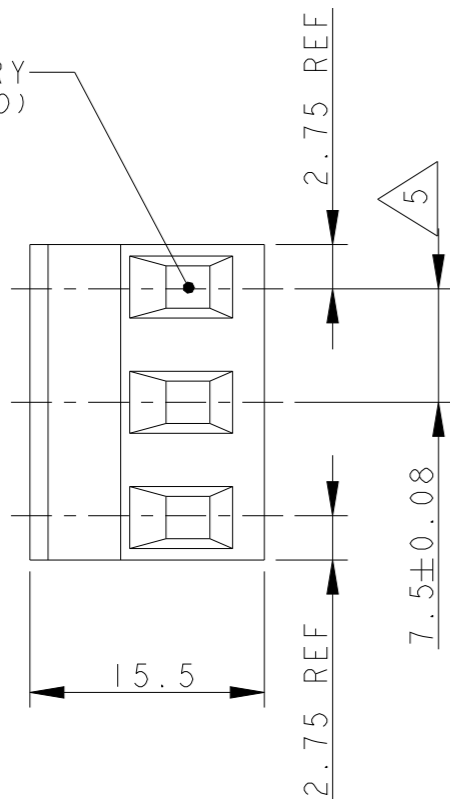


2-282959-0 AS SHOWN



282959-3 AS SHOWN

WIRE ENTRY (INGRESSO CAVO)



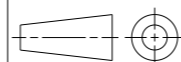
OBSOLETE

MARKING	COLOUR	DIM. A	NO OF POS.	PART NUMBER
AS SHOWN	GREEN	13.0	2	2-282959-0
/	GRAY	20.5	3	1-282959-9
AS SHOWN	GREEN	20.5	3	1-282959-6
AS SHOWN	GREEN	90.0	12	1-282959-5
/	GREEN	73.0	10	1-282959-4
/	BLACK	20.5	3	1-282959-3
/	GREEN	88.0	12	1-282959-2
/	GREEN	80.5	11	1-282959-1
/	GREEN	73.0	10	1-282959-0
/	GREEN	65.5	9	282959-9
/	GREEN	58.0	8	282959-8
/	GREEN	50.5	7	282959-7
/	GREEN	43.0	6	282959-6
/	GREEN	35.5	5	282959-5
/	GREEN	28.0	4	282959-4
/	GREEN	20.5	3	282959-3
/	GREEN	13.0	2	282959-2

THIS DRAWING IS A CONTROLLED DOCUMENT.

DIMENSIONS: mm

TOLERANCES UNLESS OTHERWISE SPECIFIED:



0 PLC	±
1 PLC	±0.2
2 PLC	±0.20
3 PLC	±0.001
4 PLC	±0.0001
ANGLES	±2
FINISH	-

MATERIAL -

DWN S. SCHLEGEL 25JUN96

CHK R CANTORE 25JUN96

APVD R CANTORE 25JUN96

PRODUCT SPEC -

APPLICATION SPEC -

WEIGHT -

CUSTOMER DRAWING



TE Connectivity

NAME: TERMINAL BLOCK PLUG, 7.5mm PITCH

SIZE: A300779 CAGE CODE: G-282959 DRAWING NO: RESTRICTED TO: -

SCALE: 2:1 SHEET: 1 OF 2 REV: C5

THIS DRAWING IS UNPUBLISHED.

RELEASED FOR PUBLICATION

20

© COPYRIGHT 20

ALL RIGHTS RESERVED.

LOC FT DIST 0

REVISIONS

P	LTR	DESCRIPTION	DATE	DWN	APVD
-		SEE SHEET 1	-	-	-

NOTES:

- MATERIALS AND FINISH
HOUSING: PA 6-6, UL 94-V0.
COLOURS: GRAY, RAL 7032.
 BLACK.
 GREEN.
CLAMP: BRASS, NICKEL PLATED.
DOUBLE SIDE CONTACT SPRING: PHOSPHOR BRONZE, TIN PLATED.
CLAMPING SCREW: M3, BRASS, NICKEL PLATED.
- MECHANICAL
MAX. INSERTION FORCE PER POLE : 3.0 N
MIN. WITHDRAWAL FORCE PER POLE : 1.5 N
WIRE STRIPPING LENGTH : 6.0-7.5 mm
RECOMMENDED TIGHTENING TORQUE FOR SCREW : 0.5 Nm.
- ELECTRICAL
WIRE RANGE : 12-30 AWG
MAX. VOLTAGE : 300 V
MAX CURRENT : 15 A
CONTACT RESISTANCE : <15 m Ohm
INSULATION RESISTANCE : >1000 M Ohm (500V DC)
- RECOGNIZED UNDER THE COMPONENT PROGRAM OF UNDERWRITERS LABORATORIES INC. FILE NO E60677.
- NOT CUMULATIVE TOLERANCE.
- INK MARKING : BLACK COLOUR
NUMERICAL SEQUENCE : FROM LEFT TO RIGHT,
WIRE ENTRY SIDE
- OPERATING TEMPERATURE RANGE: -40°C TO +105°C.

THIS DRAWING IS A CONTROLLED DOCUMENT.		DWN S. SCHLEGEL 25JUN96	STE TE Connectivity	
DIMENSIONS: mm		CHK R CANTORE 25JUN96		
TOLERANCES UNLESS OTHERWISE SPECIFIED:		APVD R CANTORE 25JUN96	NAME TERMINAL BLOCK PLUG, 7.5mm PITCH	
0 PLC ±-		PRODUCT SPEC -	-	
1 PLC ±0.2		APPLICATION SPEC -	SIZE A3	CAGE CODE 00779
2 PLC ±0.20		WEIGHT -	DRAWING NO C-282959	RESTRICTED TO -
3 PLC ±0.001		CUSTOMER DRAWING		
4 PLC ±0.0001		SCALE 2:1		
ANGLES ±2		SHEET 2 OF 2		
MATERIAL -		REV C5		
FINISH -				