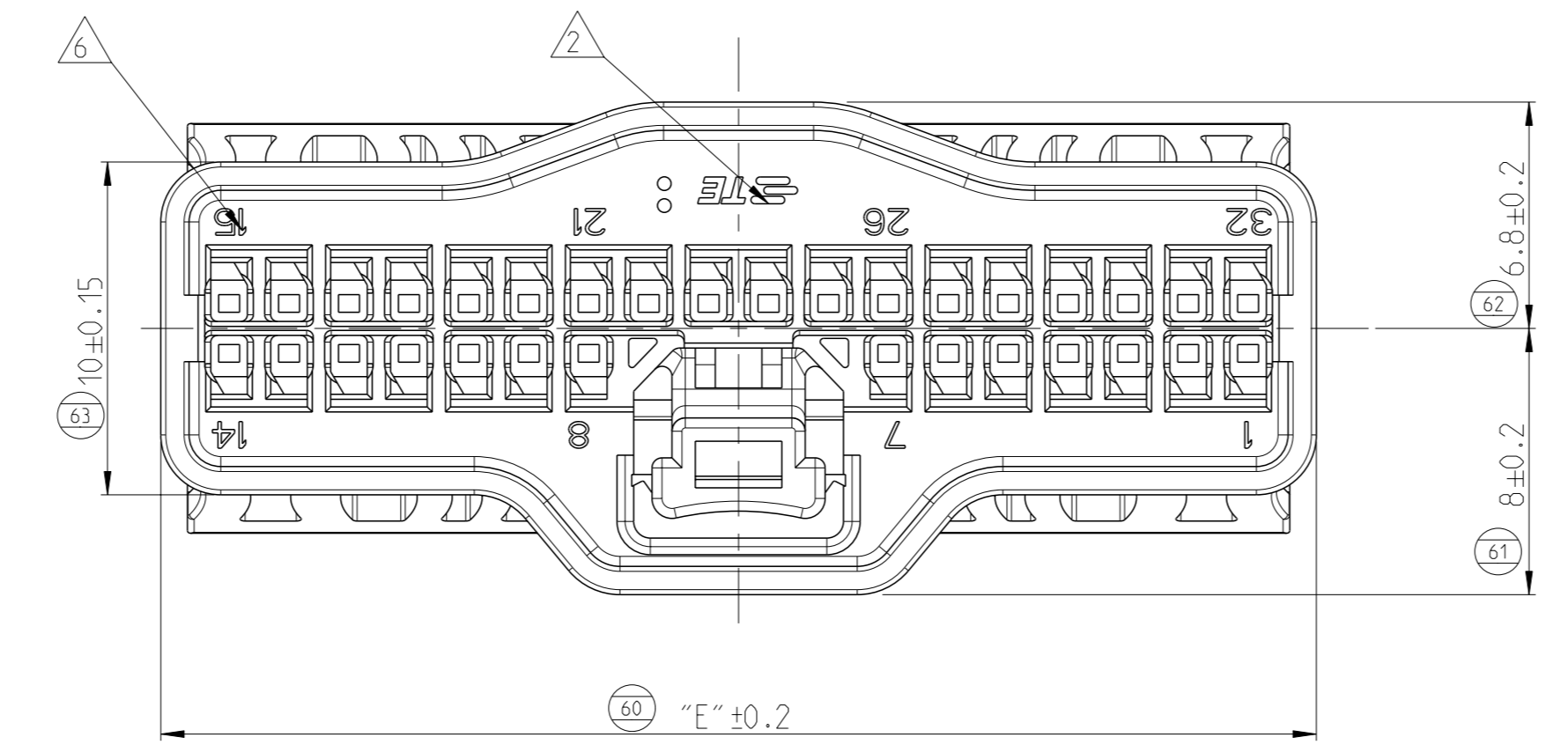
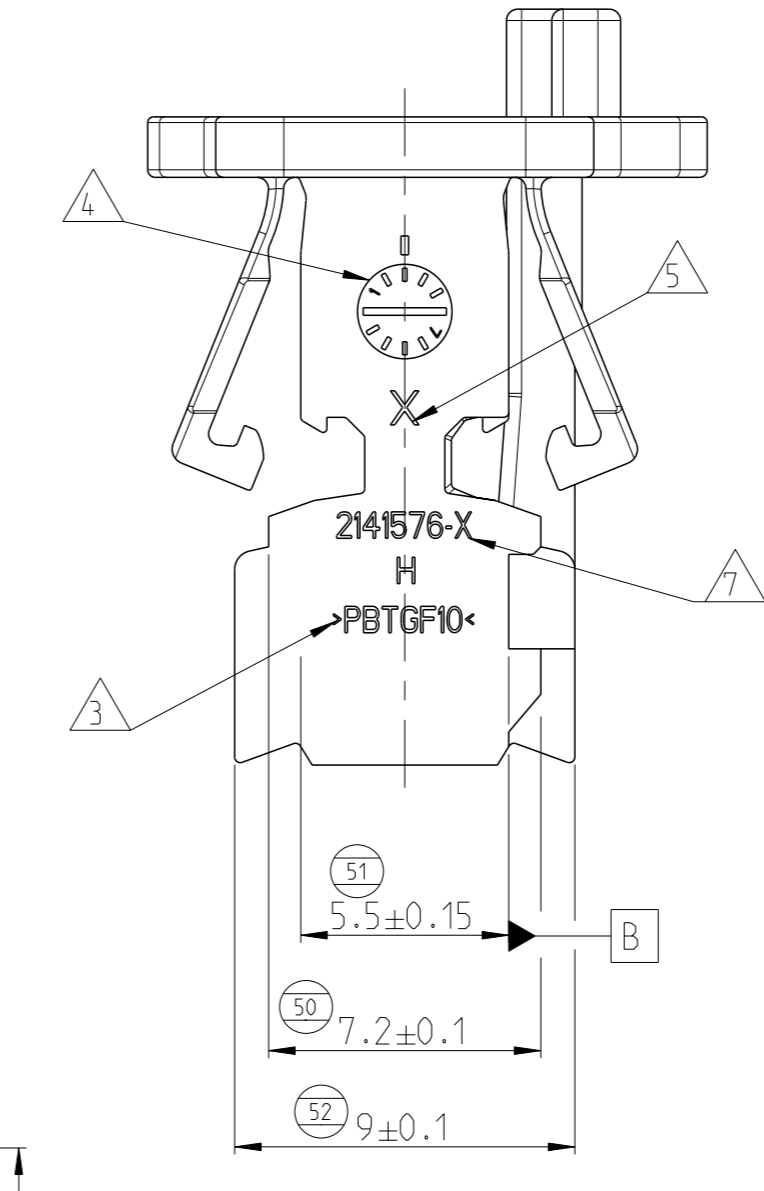
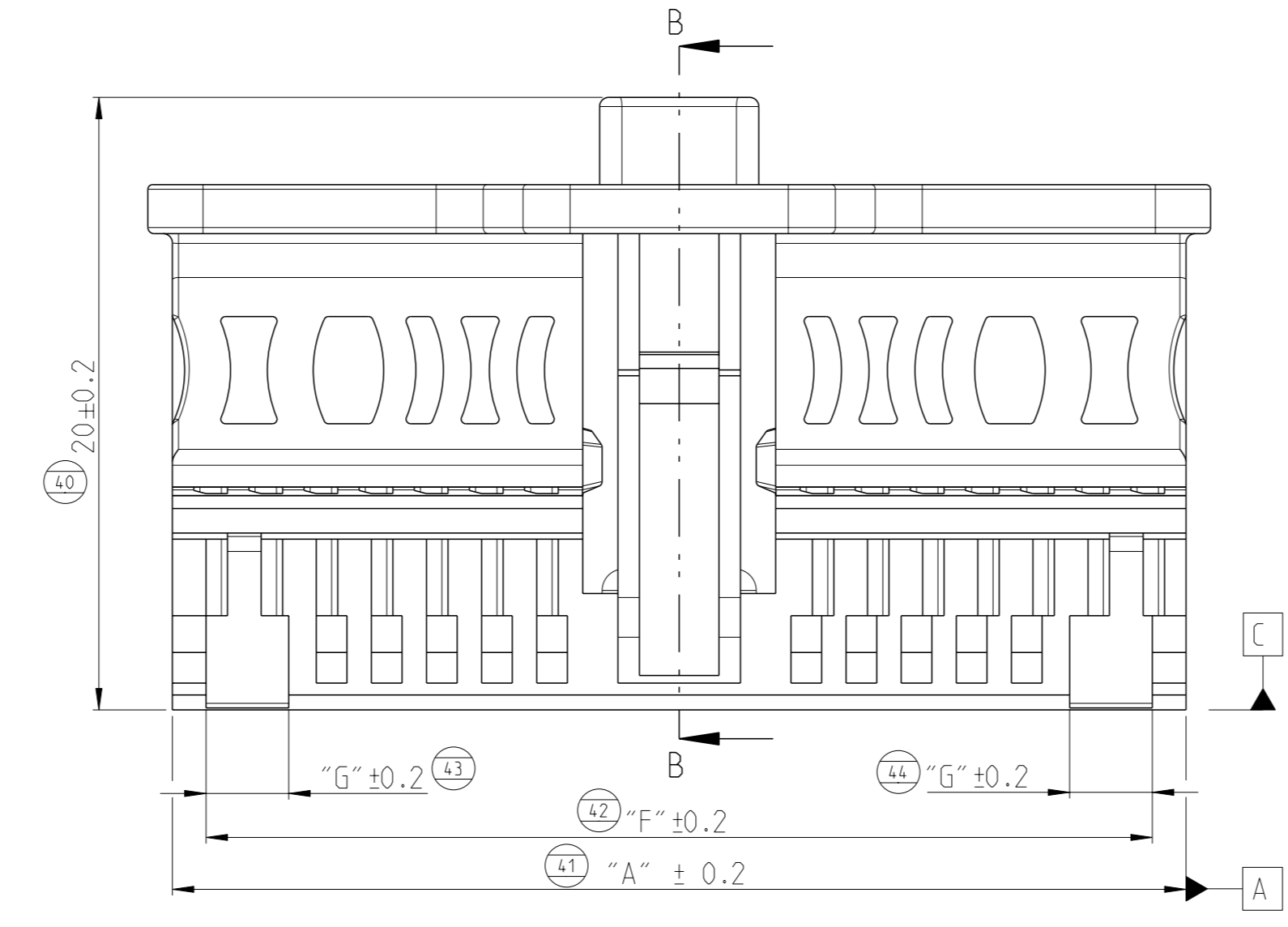
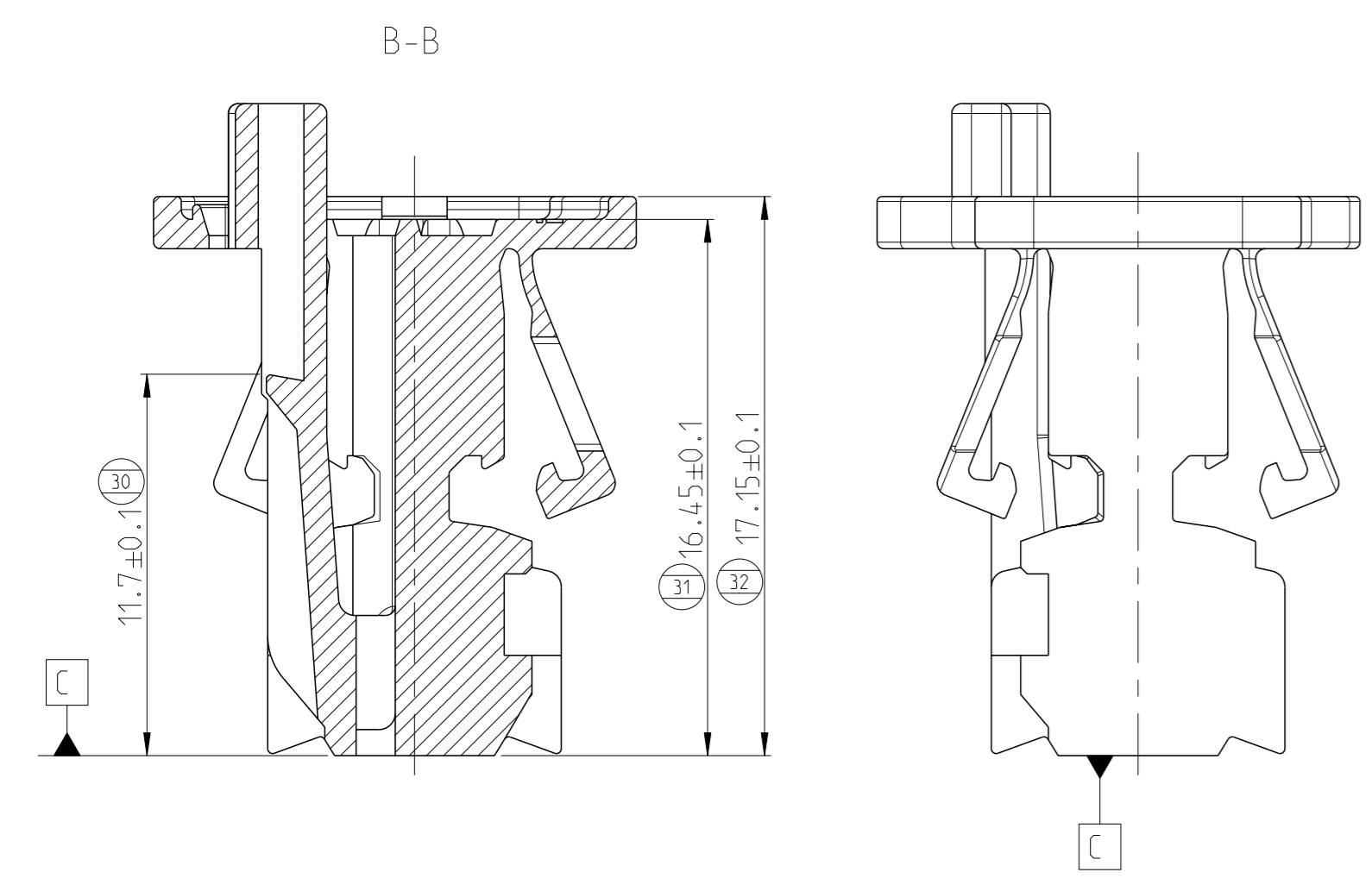
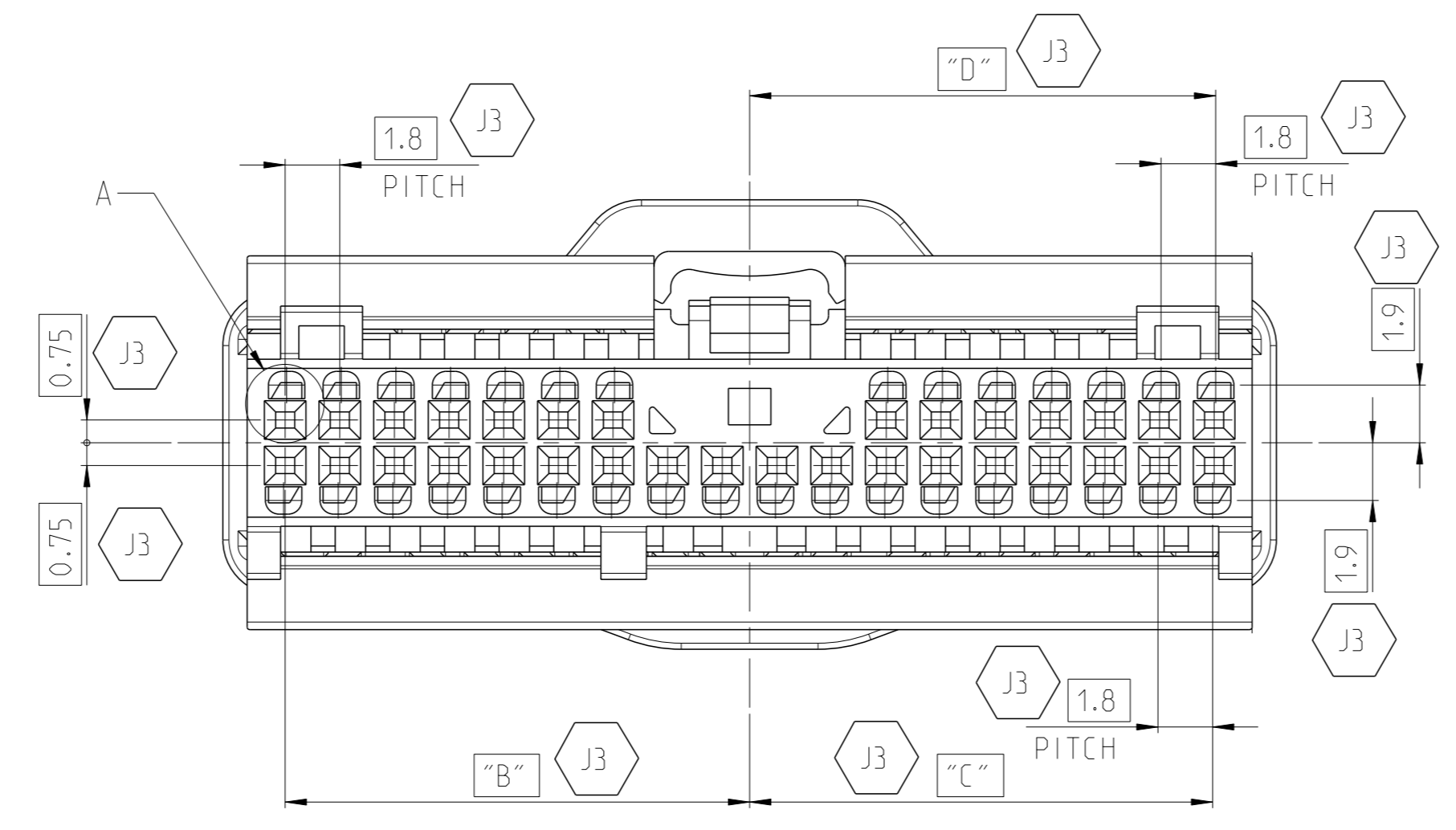
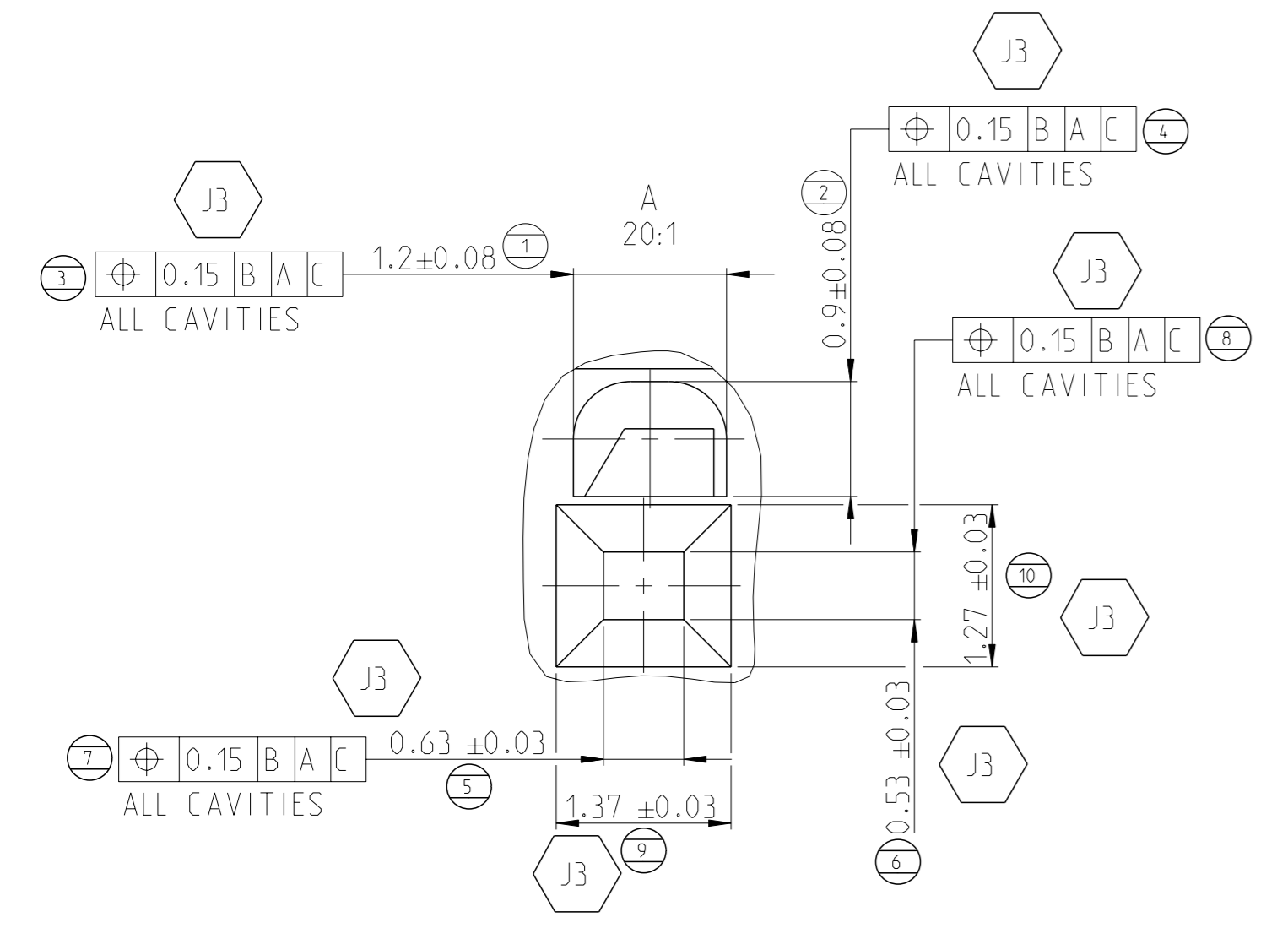


LOC	DIST	REV	DESCRIPTION	DATE	OWN	APVD
A1	-	J	Colors changed	20SEP2018	BREN	SCHO
		J1	COLOR CHANGE to as-is from NATURAL to BEIGE	18FEB2021	MAH.	SCHO
		J2	PCN-22-151258	01SEP2022	FRAN	LOY
		J3	PCN-22-156824	27OC12022	FRAN	LOY



CODING

<p>CODING "A" FOR RECEPTACLE CONNECTORS 12, 20 AND 32 POS P/N XXXXXX-1</p> <p>SCALE 2:1</p>	<p>CODING "A" FOR RECEPTACLE CONNECTOR 8 POS P/N 2177586-1</p> <p>SCALE 2:1</p>
<p>CODING "B" FOR RECEPTACLE CONNECTORS 12, 20 AND 32 POS P/N XXXXXX-2</p> <p>SCALE 2:1</p>	<p>CODING "B" FOR RECEPTACLE CONNECTOR 8 POS P/N 2177586-2</p> <p>SCALE 2:1</p>
<p>CODING "C" FOR RECEPTACLE CONNECTORS 12, 20 AND 32 POS P/N XXXXXX-3</p> <p>SCALE 2:1</p>	<p>CODING "C" FOR RECEPTACLE CONNECTOR 8 POS P/N 2177586-3</p> <p>SCALE 2:1</p>
<p>CODING "D" FOR RECEPTACLE CONNECTORS 12, 20 AND 32 POS P/N XXXXXX-4</p> <p>SCALE 2:1</p>	<p>CODING "D" FOR RECEPTACLE CONNECTOR 8 POS P/N 2177586-4</p> <p>SCALE 2:1</p>

SKETCH SCALE 1:1																
NUMBER OF POS.	32 POS		20 POS		12 POS		8 POS									
CONNECTOR PART NUMBER	2141576-X		2177588-X		2177587-X		2177586-X									
PART REVISION	-1	-2	-3	-4	-1	-2	-3	-4	-1	-2	-3	-4	-1	-2	-3	-4
COLOR	BLACK	BEIGE	GREY	BLACK	BLACK	BEIGE	GREY	BLACK	BLACK	BEIGE	GREY	BLACK	BLACK	BEIGE	GREY	BLACK
SIMILAR RAL	9011	1015	7032	9011	9011	1015	7032	9011	9011	1015	7032	9011	9011	1015	7032	9011
MATERIAL	PBT GF10		PBT GF10		PBT GF10		PBT GF10									
DIM "A"	33.1		22.3		15.1		11.5									
DIM "B"	15.3		9.9		6.3		4.5									
DIM "C"	15.25		9.85		6.25		4.45									
DIM "D"	15.35		9.95		6.35		4.55									
DIM "E"	34.7		23.9		16.7		13.1									
DIM "F"	30.9		20.1		12.9		9.3									
DIM "G"	2.7		2.1		1.7		1.5									
GENERIC INTERFACE PART NUMBER	114-20160-150		114-20160-90		114-20160-60		114-20160-40									

- 1) CONNECTORS SUITABLE FOR Nano MQS CONTACT FAMILY P/N X-1703930-X WIRE SEC. 0.14 ± 0.035 mm². MAX INSULATION DIAMETER 1.3mm
- 2) TE TRADEMARK
- 3) IDENTIFICATION AND MARKING OF POLYMER MATERIAL
- 4) DATE CODE
- 5) MOULD CAVITY IDENTIFICATION
- 6) CONTACT CAVITY IDENTIFICATION NUMBERS
- 7) P/N & REVISION. DASH NUMBER AND REVISION LETTER
- 8) MATING PART SEE 114-94160

THIS DRAWING IS A CONTROLLED DOCUMENT.		OWN: A.BRICCARELLO 05DEC2011	TE Connectivity
DIMENSIONS: mm		CHK: M.GURLINO 05DEC2011	
TOLERANCES UNLESS OTHERWISE SPECIFIED:		APVD: A.GENTA 05DEC2011	NAME: NANO MQS TOP LATCH PLUG CONNECTOR FAMILY LS LINE - MARKET SERIES
0 PLC ±0.3		PRODUCT SPEC: 108-20315	
1 PLC ±0.1		APPLICATION SPEC: 114-94766	SIZE: A1
2 PLC ±0.05		WEIGHT: -	CAGE CODE: 00779
3 PLC ±		CUSTOMER DRAWING	DRAWING NO: C=2141576
4 PLC ±		SCALE: 5:1	SHEET: 1 OF 1
ANGLES ±°		REV: J3	