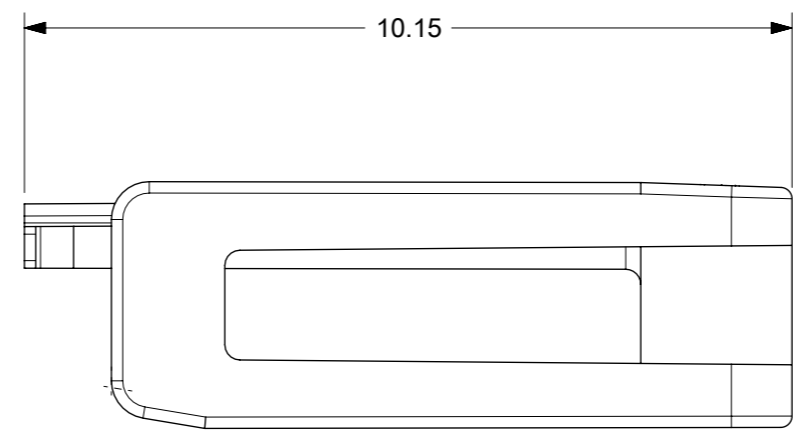
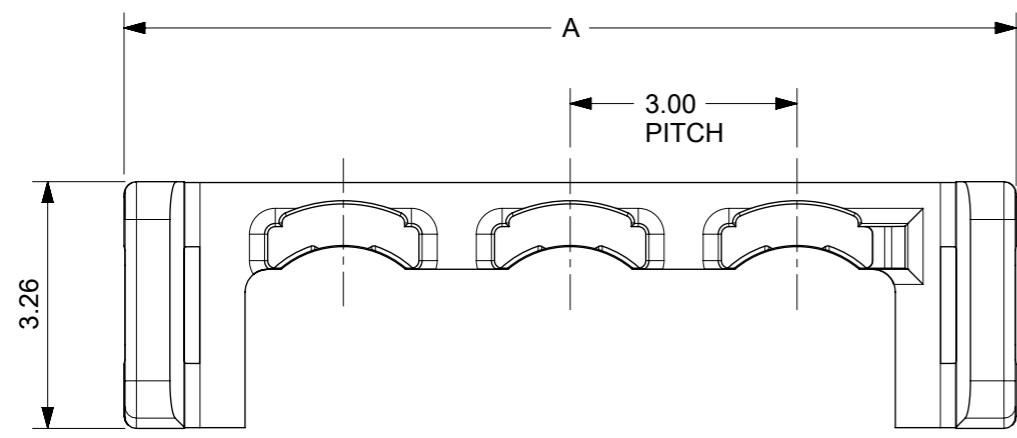
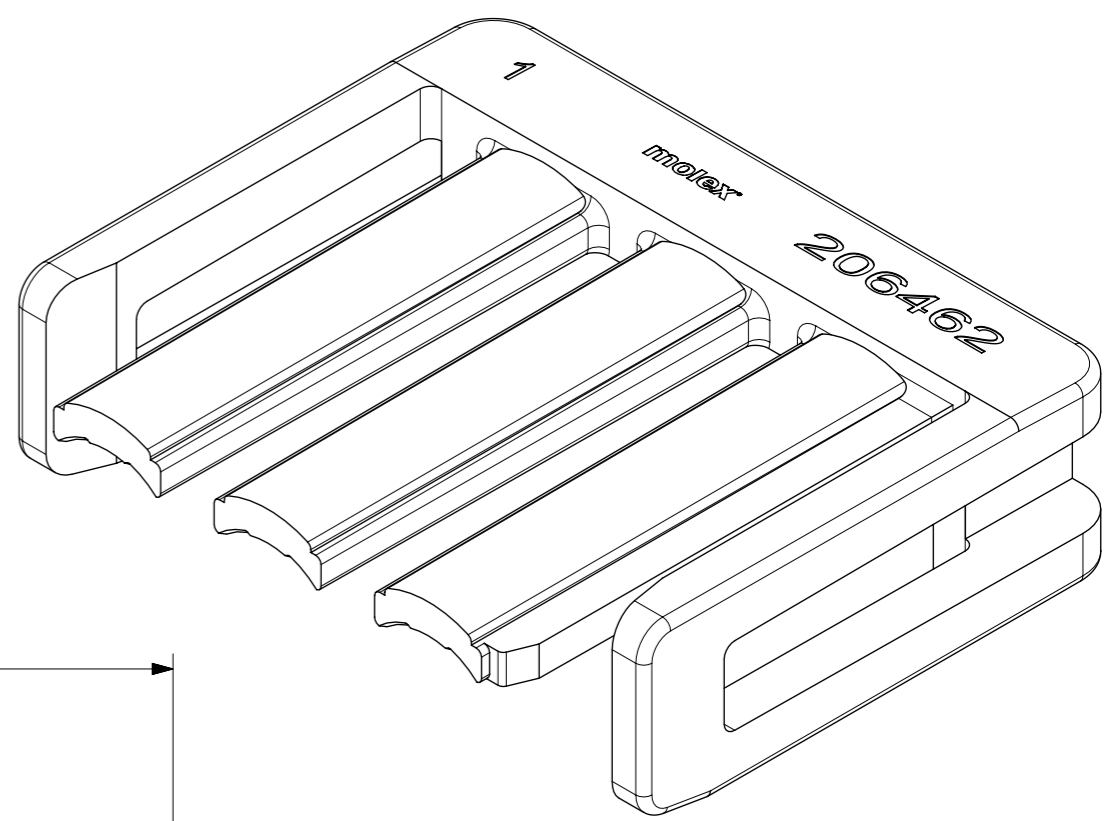


10 9 8 7 6 5 4 3 2 1

F  
E  
D  
C  
B  
A



PART NO.		CKT	A	NOTE
MATERIAL "0"	MATERIAL "1"			
2064620100	2064620110	1	5.80	*DESIGNATES PART NOT RELEASED
2064620200	2064620210	2	8.80	
2064620300	2064620310	3	11.80	
2064620400	2064620410	4	14.80	
2064620500	2064620510*	5	17.80	
2064620600	2064620610*	6	20.80	
2064620700	2064620710*	7	23.80	
2064620800	2064620810*	8	26.80	
2064620900	2064620910*	9	29.80	
2064621000	2064621010*	10	32.80	
2064621100	2064621110*	11	35.80	
2064621200	2064621210*	12	38.80	

**NOTES:**

- MATERIAL:**  
 "0": NYLON, UL 94V-0, GLOW-WIRE CAPABLE, COLOR: NATURAL  
 "1": NYLON, UL 94V-0, LOW HALOGEN, COLOR: NATURAL
- THESE PARTS ARE USED WITH 206461 HOUSING SERIES
- SHALL CONFIRM TO PRODUCT SPECIFICATION : 2064600000-PS
- COMPLY WITH PACKAGING SPECIFICATION : 2064620000-PK
- COSMETIC SPECIFICATION: PS-45499-002 CLASS B.

THIS DRAWING CONTAINS INFORMATION THAT IS PROPRIETARY TO MOLEX ELECTRONIC TECHNOLOGIES, LLC AND SHOULD NOT BE USED WITHOUT WRITTEN PERMISSION																	
DIMENSION UNITS		SCALE		CURRENT REV DESC:													
mm		NTS															
GENERAL TOLERANCES (UNLESS SPECIFIED)				EC NO: 722782 DRWN: ZIXUAQ 2022/07/08 CHK'D: XQZHANG 2022/09/28 APPR: XQZHANG 2022/09/28 INITIAL REVISION: DRWN: SMAHAJANSHET 2018/05/08 APPR: NCSR 2019/04/02						TPA		MICRO-FIT + SOLUTION					
ANGULAR TOL ± 0.5 °										PRODUCT CUSTOMER DRAWING							
4 PLACES ±										DOCUMENT NUMBER		DOC TYPE		DOC PART		REVISION	
3 PLACES ±										2064620000-SD		PSD		000		B	
2 PLACES ± 0.25										MATERIAL NUMBER		CUSTOMER		SHEET NUMBER			
1 PLACE ± 0.35				SEE TABLE		GENERAL MARKET		1 OF 1									
0 PLACES ±																	
DRAFT WHERE APPLICABLE MUST REMAIN WITHIN DIMENSIONS				THIRD ANGLE PROJECTION		DRAWING		SERIES		MATERIAL NUMBER							
						A3-SIZE		206462		SEE TABLE							

9 8 7 6 5 4 3 2 1