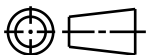
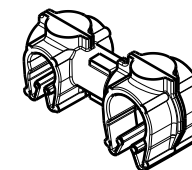
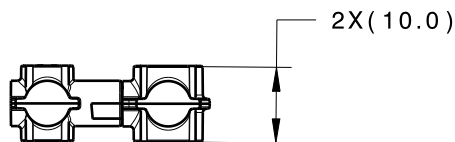


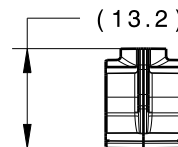
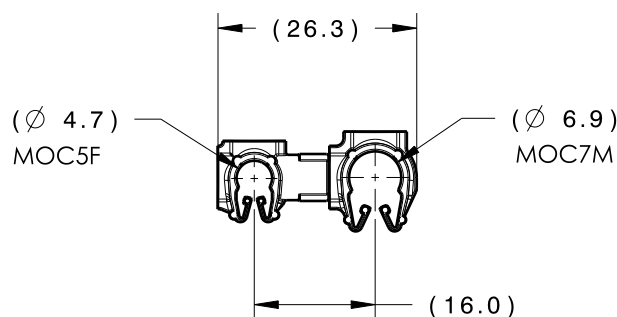
CATIA V5



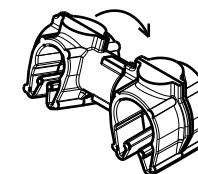
Revision Level			Revision Record	Changed	Date	Approved	Date
Drawing	State	Part					
01.2	Design Release		SEE ECN# 014403	FDS	4/20/18	EJH	4/20/18



ISOMETRIC VIEW



CLIPS ROTATE 360 DEGREES



ISOMETRIC VIEW ROTATED

TYPE	MOC5F	MOC7M
HARNESS	4.5MM-5.3MM	6.5MM-7.5MM
HOSE	4.0MM-5.3MM	6.0MM-7.5MM
HARD PIPE/TUBE	4.8MM-5.5MM	7.0MM-8.0MM

*RECOMMENDED SIZES MAY DIFFER DEPENDING ON THE APPLICATION , PRODUCT REQUIREMENTS AND MATERIALS USED

GLOBAL PART DESCRIPTION	MOC5F			MOC7M		
	DRAWING	MATERIAL	COLOR	DRAWING	MATERIAL	COLOR
MOC5FMOC7M-PA66HIRHSUV-BK	16-0313-000-CSU	PA66HIRHSUV	BLACK	16-0315-000-CSU	PA66HIRHSUV	BLACK

Material SEE CHART COLOR: SEE CHART	Units millimeters	The copyright of this drawing is reserved by HellermannTyton. It is issued on condition that it is not reproduced, copied or disclosed to a third party, either wholly or in part, without the consent of HellermannTyton.	Drawn	TAT	2/20/17	Article/Type-No	MOC5FMOC7M	Scale	1:1
	Tolerance defined on each dimension		Approved	EJH	2/28/17	Title	5MM MOC COUPLED TO A 7MM MOC	Project Number	16-0326
			HellermannTyton North America Email: corp@htamericas.com Web: www.hellermann.tyton.com			Drawing-No	PRODUCTION : Phase	Format	AH
						16-0326-124-CSU	Sheet	1/1	