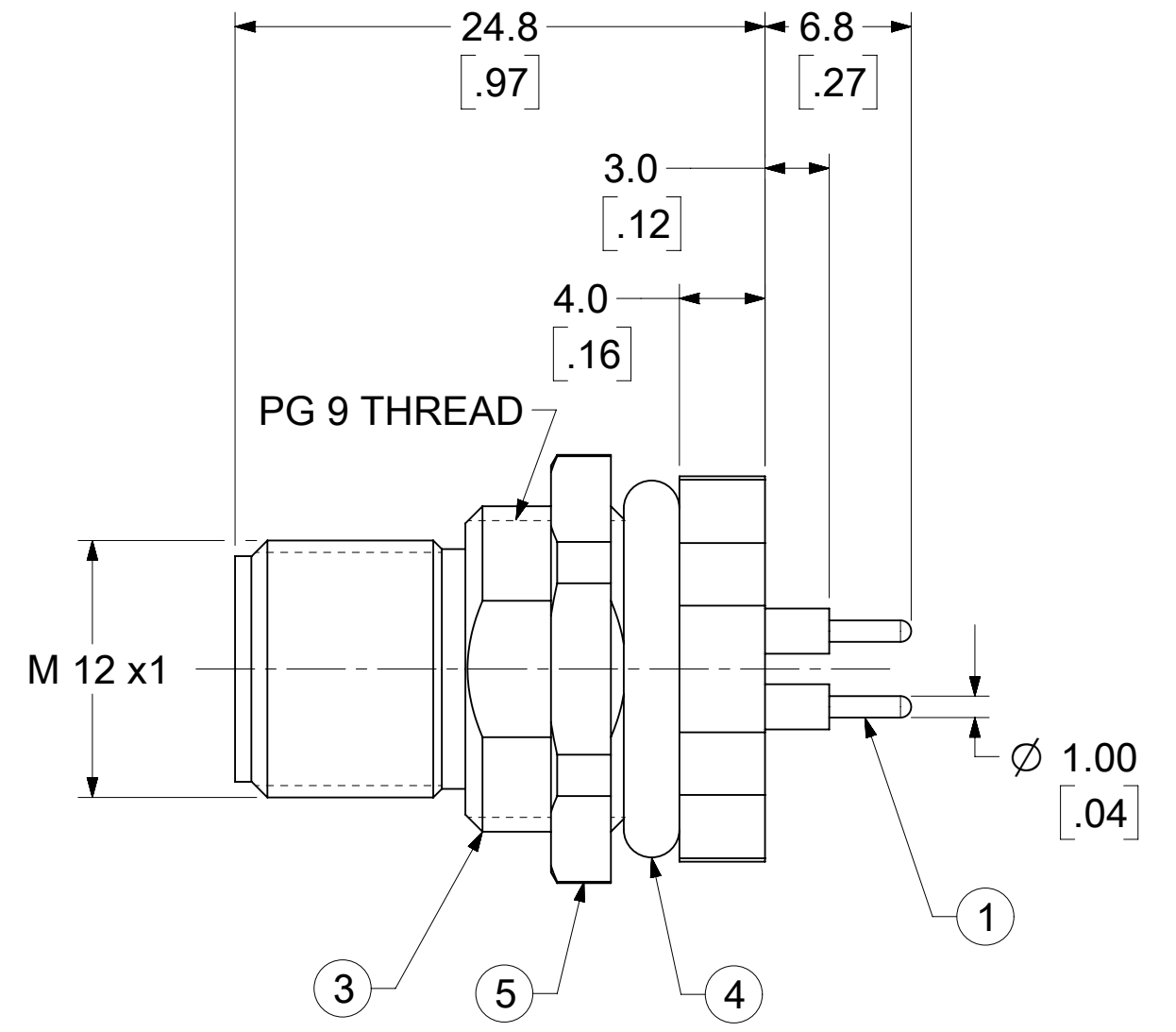
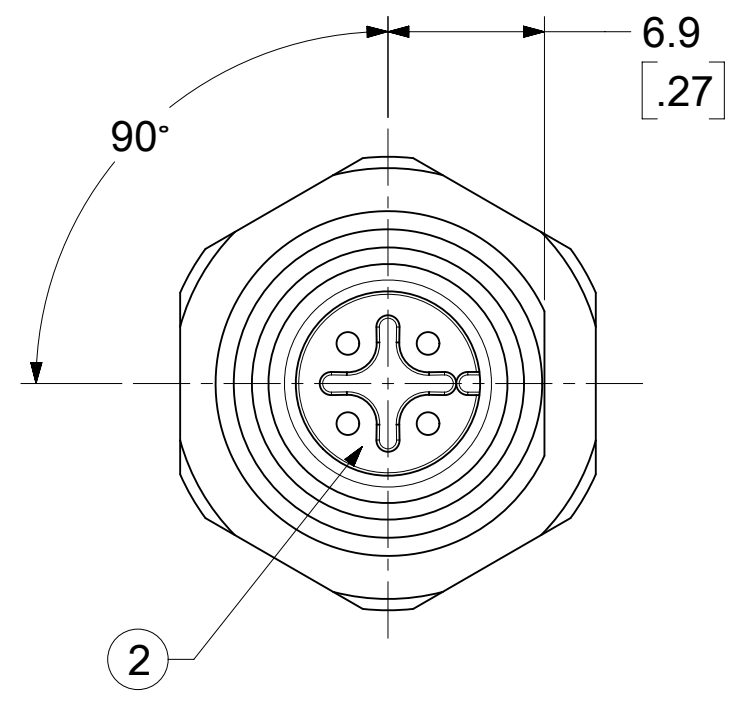
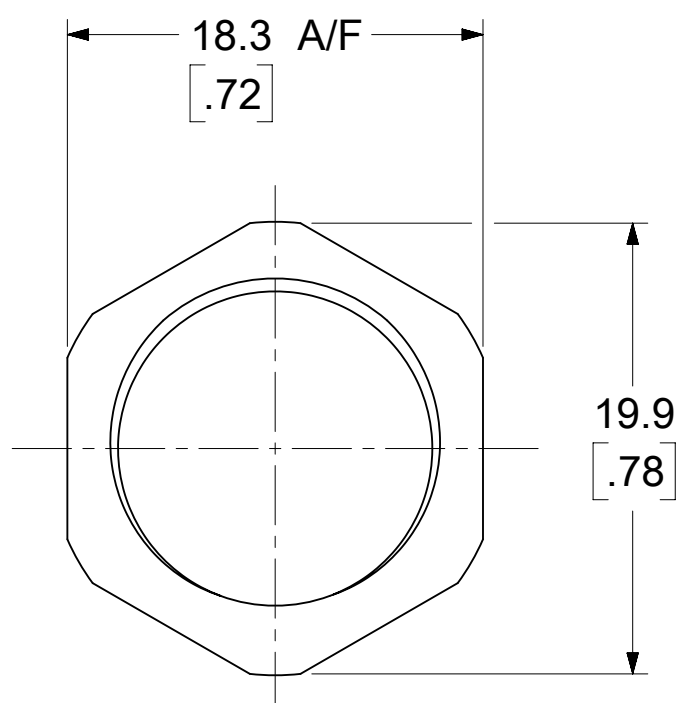
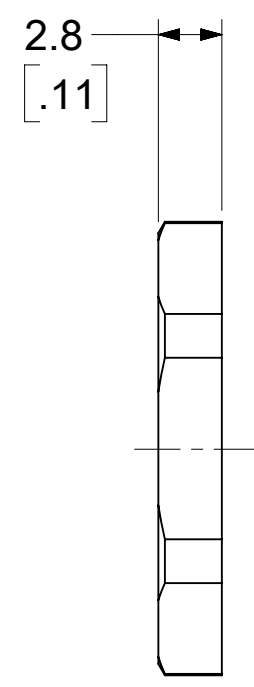
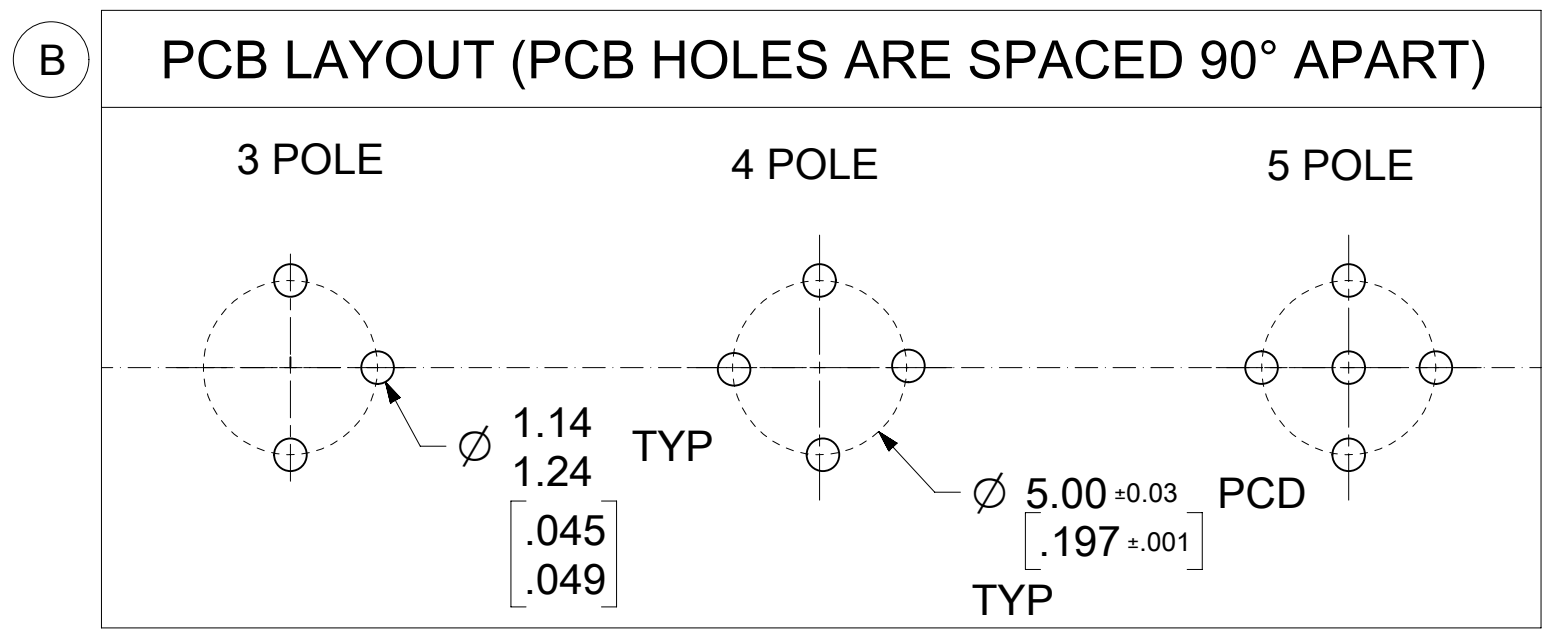
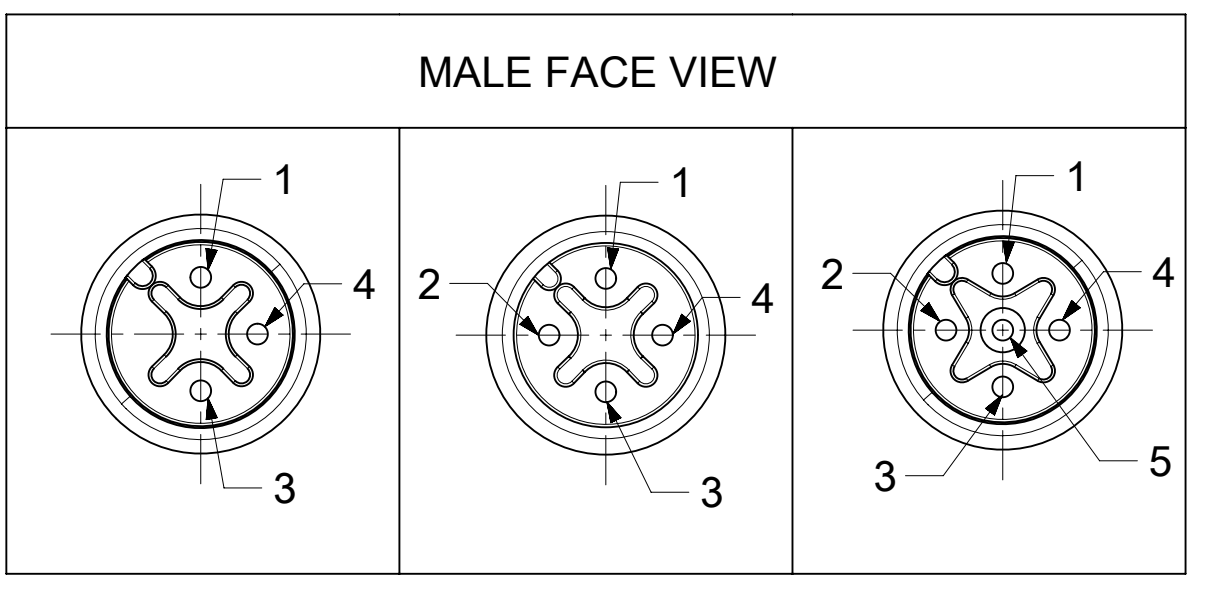
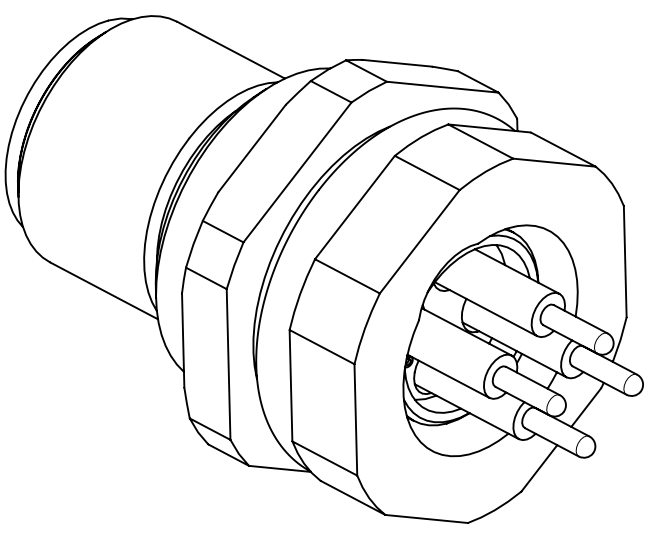
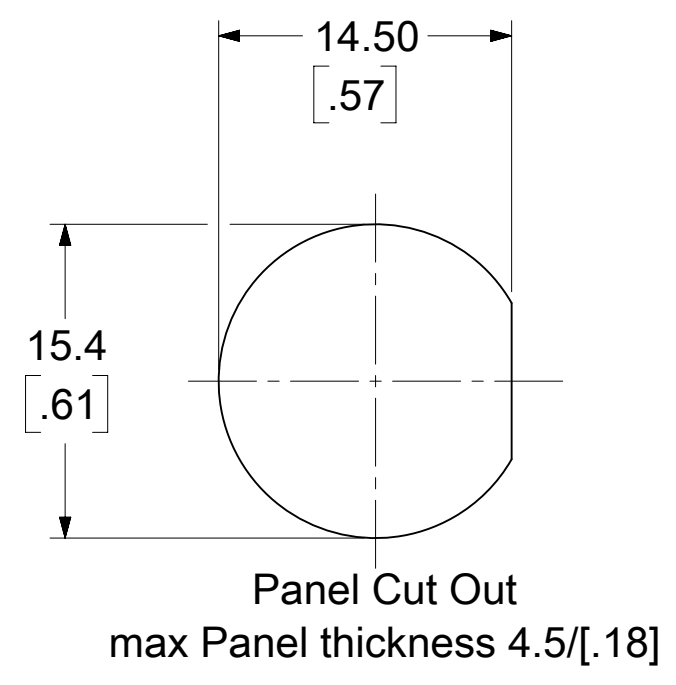


MATERIAL NO.	ENGINEERING NO.
1200110281	8R4J460003
1200700235	8R5J460003
1200705204	8R3J460003

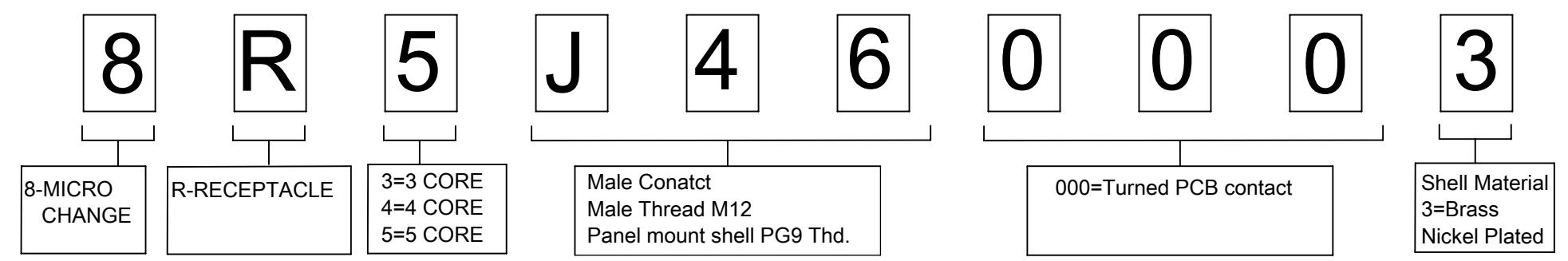
(B)



- NOTES: (B)
1. MATERIAL: AS NOTED
 2. FINISH: AS NOTED
 3. ELECTRICAL:
VOLTAGE: 250V AC/DC
CURRENT: 4A
 4. TEMP RATING: -20°C TO +80°C
 5. PROTECTION: IP67 (WHEN MATED)
 6. ALL DIMS ARE FOR REFERENCE UNLESS TOLERANCED OR NOTED OTHERWISE



(B) **PART NUMBER LEGEND**



ITEM	DESCRIPTION	MATERIAL	FINISH
5	LOCKNUT	Cu ALLOY	BRIGHT NICKEL PLATED
4	O-RING	VITON	BLACK
3	RECEPTACLE SHELL	Cu ALLOY	BRIGHT NICKEL PLATED
2	INSERT	NYLON	BLACK
1	CONTACT PIN	Cu ALLOY	GOLD OVER NICKEL

(B)

THIS DRAWING CONTAINS INFORMATION THAT IS PROPRIETARY TO MOLEX ELECTRONIC TECHNOLOGIES, LLC AND SHOULD NOT BE USED WITHOUT WRITTEN PERMISSION

FUNCTIONAL SYMBOLS: FA=0, FC=0, FP=0

DIMENSION UNITS: MM/INCH

SCALE: 3:1

GENERAL TOLERANCES (UNLESS SPECIFIED): 4 PLACES ±, 3 PLACES ±, 2 PLACES ±, 1 PLACE ±, 0 PLACES ±

ANGULAR TOL: ± °

DRAFT WHERE APPLICABLE MUST REMAIN WITHIN DIMENSIONS

THIRD ANGLE PROJECTION

DRAWING: C-SIZE

SERIES: 120011

CURRENT REV DESC: ADDED STD. NOTES, PCB LAYOUT, PART NUMBER LEGEND, UPDATED MATERIAL TABLE & INSERT WAS PUR.

EC NO: 696324

DRWN: AKABADI 2022/01/18

CHK'D: RSTONE 2022/02/17

APPR: BWOODMAN 2022/02/21

INITIAL REVISION: DRWN: CFOERDERER 2012/10/04

APPR: CBURGER 2012/10/29

DOCUMENT NUMBER: SD-120011-281

DOC TYPE: PSD

DOC PART: 001

REVISION: B

MATERIAL NUMBER: SEE TABLE

CUSTOMER: GENERAL MARKET

SHEET NUMBER: 1 OF 1

molex

MICRO-CHANGE RECEPTACLE MALE, M12, SINGLE KEY, PCB MOUNT

PRODUCT CUSTOMER DRAWING