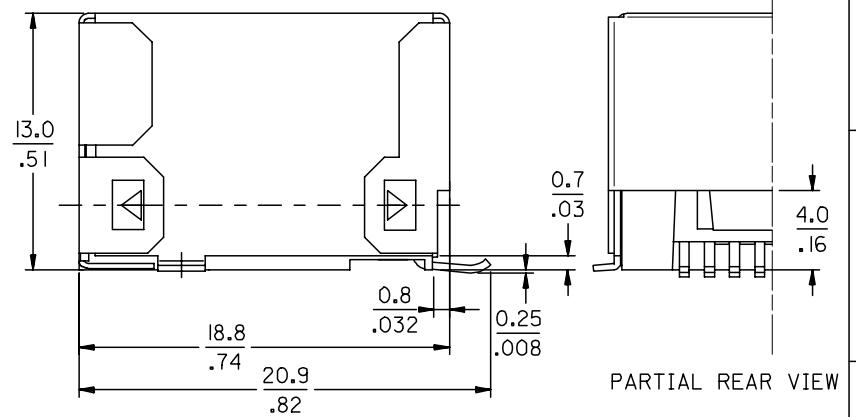
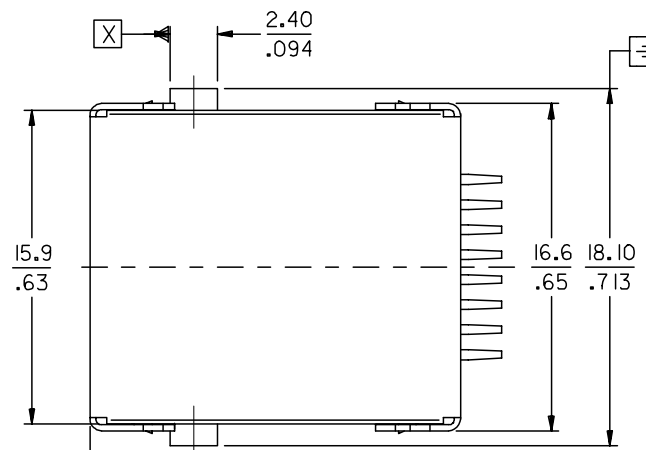
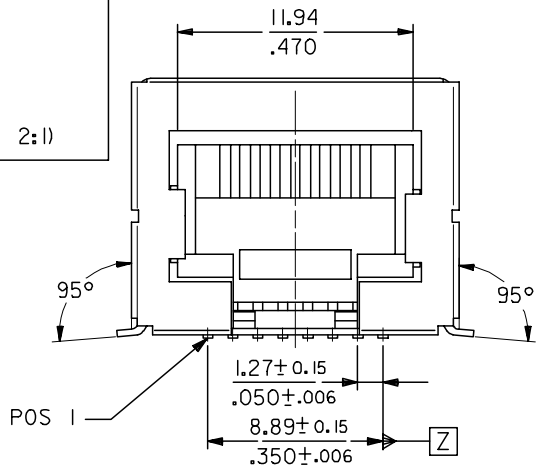


NOTES:

- 1- JACK FOR MATING WITH SHIELDED PLUG (MOLEX 95043 AND 85568 SERIES)
- 2- PRODUCT SPECIFICATION : PS-95122-001
- 3- APPLICATION SPECIFICATION : AS-95001
- 4- PACKAGING SPECIFICATION: SEE CHART (BLISTER ON REEL)
- 5- COPLANARITY OF SIGNAL LEADS: 0.10 MAX

TECHNICAL SPECIFICATIONS:

MATERIAL :
HOUSING: POLYAMIDE GLASS FILLED UL 94V0, COLOR BLACK.
TERMINAL : PHOSPHOR BRONZE PLATED WITH :
 0.00127/.000050 MIN GOLD IN CONTACT AREA,
 0.00190/.000075 MIN PURE TIN IN TAIL AREA, BOTH OVER 0.00127/.000050 MIN NICKEL OVERALL.
SHIELD : BRASS PLATED WITH 0.0020/.000078 MIN TIN.



ENG. N°	HOUSING SIZE	LOADED CKTS	PANEL GROUND	PACKAGING SPEC
95122-4883	8	8	NO	PK-95122-002

ENTER DESCRIPTION EC NO: MG2005-0122 DRAWN: KNOLLER 2004/10/08 CHKD: FCARABET 2004/10/08 APPR: KNOLLER 2004/10/08	QUALITY SYMBOLS ▽=0 ▽=0	GENERAL TOLERANCES (UNLESS SPECIFIED)		DIMENSION STYLE MM/IN		SCALE 4:1	DESIGN UNITS METRIC	THIRD ANGLE PROJECTION		
		4 PLACES ± --- ± ---	mm	INCH	DRAWN BY KUBATIN	DATE 03/07/28	TITLE FULLY SHIELDED TRUE SMT RIGHT ANGLE MODULAR JACK 8 CIRCUIT			
		3 PLACES ± --- ± .010			CHECKED BY ECHTENA	DATE 03/07/28				
		2 PLACES ± 0.25 ± .014			APPROVED BY HEIM	DATE 03/07/28	MOLEX INCORPORATED DOCUMENT NO. SD-95122-009 SHEET NO. 1 OF 1			
1 PLACE ± 0.35 ± ---			MATERIAL NO. 95122-4883							
		ANGULAR ± 2 °								
		DRAFT WHERE APPLICABLE MUST REMAIN WITHIN DIMENSIONS		SIZE A3		THIS DRAWING CONTAINS INFORMATION THAT IS PROPRIETARY TO MOLEX INCORPORATED AND SHOULD NOT BE USED WITHOUT WRITTEN PERMISSION				