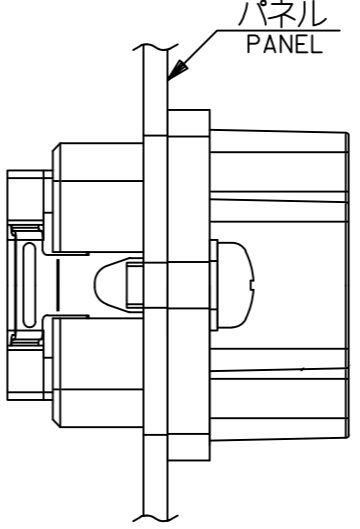
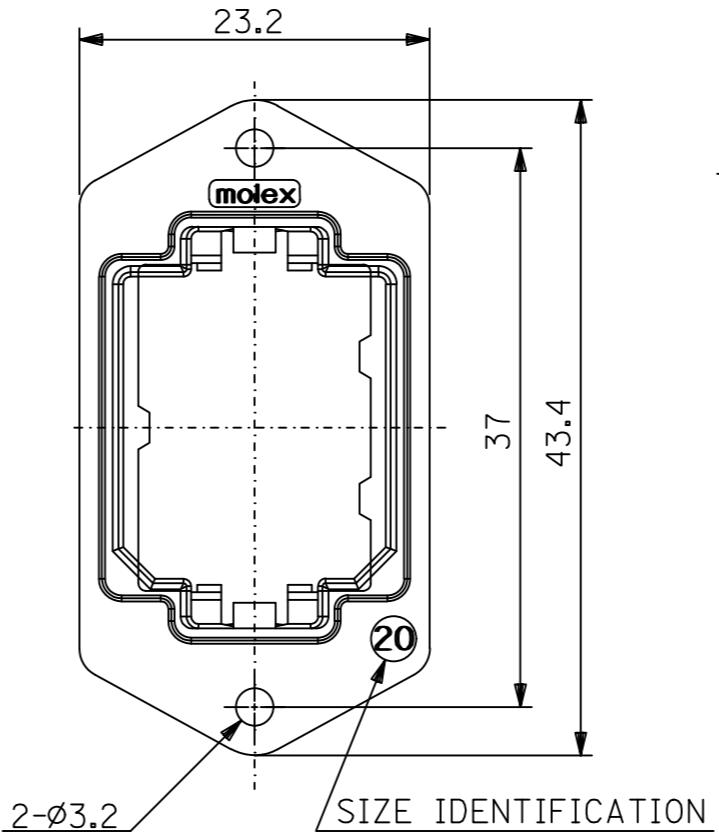
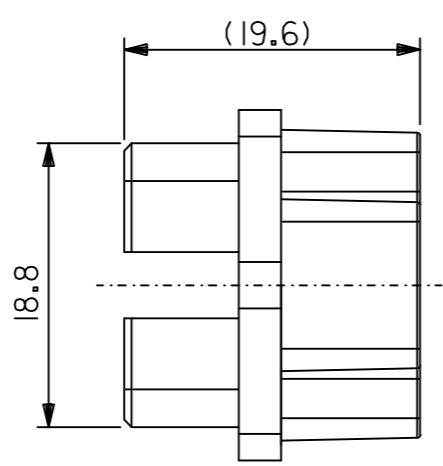
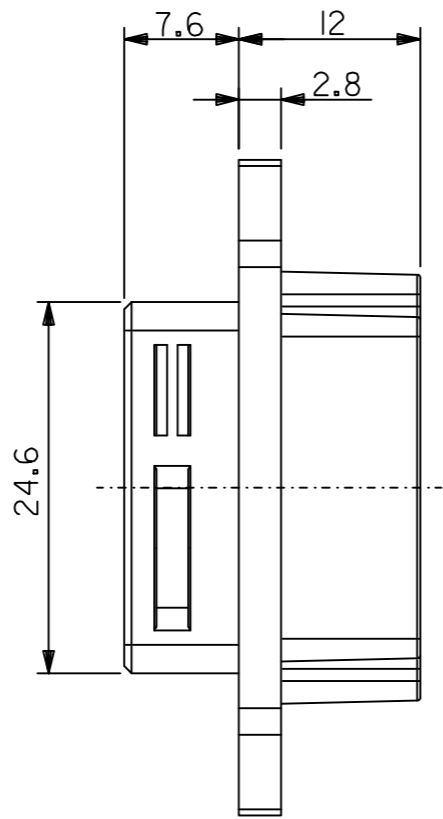
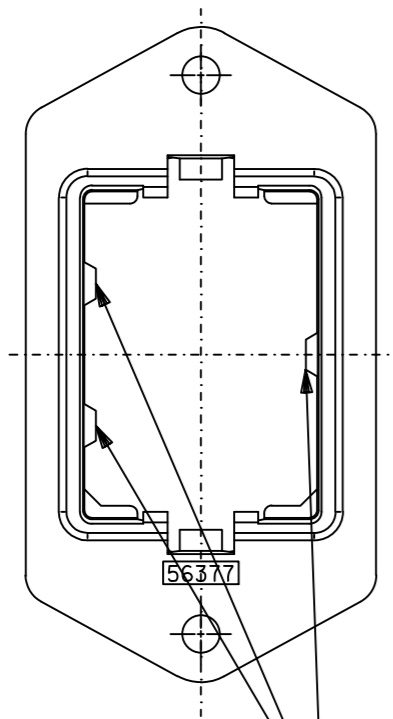
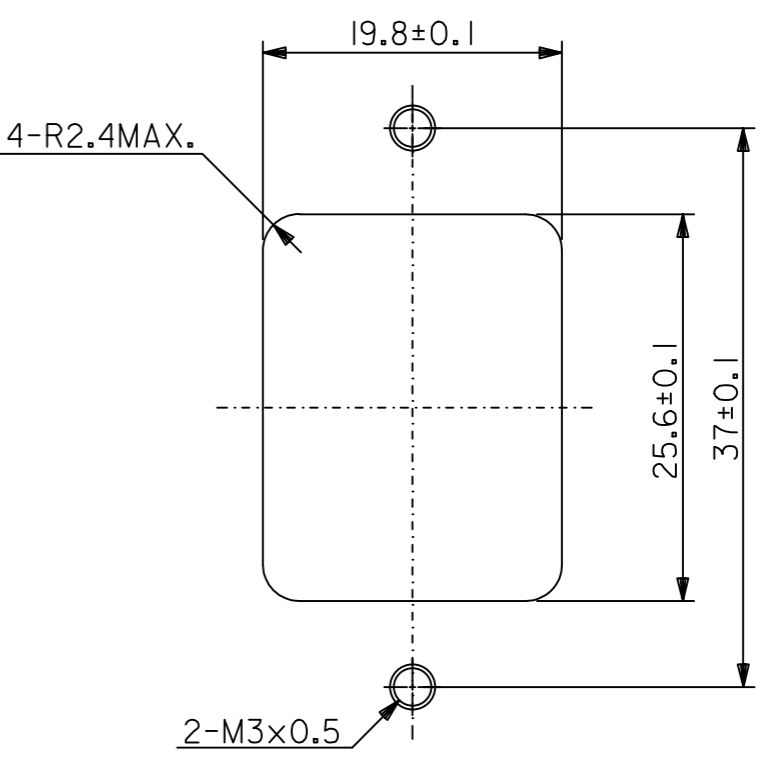


ハウジング挿入方向キー
POLARIZATIONS KEY FOR HOUSING



パネル前面取り付け
FRONT MOUNT TYPE



推奨パネル切り取り寸法 (前面取り付け)
RECOMMENDED PANEL OPENING (FRONT MOUNTING)

注記
NOTES

- 材質
MATERIAL
亜鉛合金, ニッケルメッキ
ZINC ALLOY, NI PLATING
- 適用ハウジングアッセンブリ: 51233-201* (PIN HS'G ASS'Y)
51238-201* (SOCKET HS'G ASS'Y)
APPLICABLE HOUSING ASS'Y: 51233-201* (PIN HS'G ASS'Y)
51238-201* (SOCKET HS'G ASS'Y)
- 推奨ねじ締め付けトルク: 5~6 kgf・cm
RECOMMENDED SCREW TIGHTENING TORQUE: 5~6 kgf・cm

563772000	56377-2000	56377-****
MATERIAL NO.	ENG. NO.	MODEL NO.

FUNCTIONAL SYMBOLS F=0 E=0 P=0	THIS DRAWING CONTAINS INFORMATION THAT IS PROPRIETARY TO MOLEX ELECTRONIC TECHNOLOGIES, LLC AND SHOULD NOT BE USED WITHOUT WRITTEN PERMISSION			
	DIMENSION UNITS MM	SCALE 2:1		
	GENERAL TOLERANCES (UNLESS SPECIFIED)		EC NO: 652148	
	DIVISIONAL SYMBOLS		DRWN: ABENJAMINLW 2020/11/26	
4 PLACES ±--- ±---		CHK'D: MBIZZOZERO 2021/03/02		
3 PLACES ±--- ±---		APPR: MBIZZOZERO 2021/03/02		
2 PLACES ±--- ±---		INITIAL REVISION:		
1 PLACE ±--- ±---		DRWN: SAKIYAMA 2001/03/07		
0 PLACES ±--- ±---		APPR: SAKIYAMA 2001/03/07		
ANGULAR TOL ± --- °		DRAFT WHERE APPLICABLE MUST REMAIN WITHIN DIMENSIONS		
THIRD ANGLE PROJECTION		DRAWING B-SIZE	SERIES 56377	DOCUMENT NUMBER SD-56377-005
		MATERIAL NUMBER SEE CHART		DOC TYPE/DOC PART/REVISION PSD 001 A1
		CUSTOMER GENERAL MARKET		SHEET NUMBER 1 OF 1