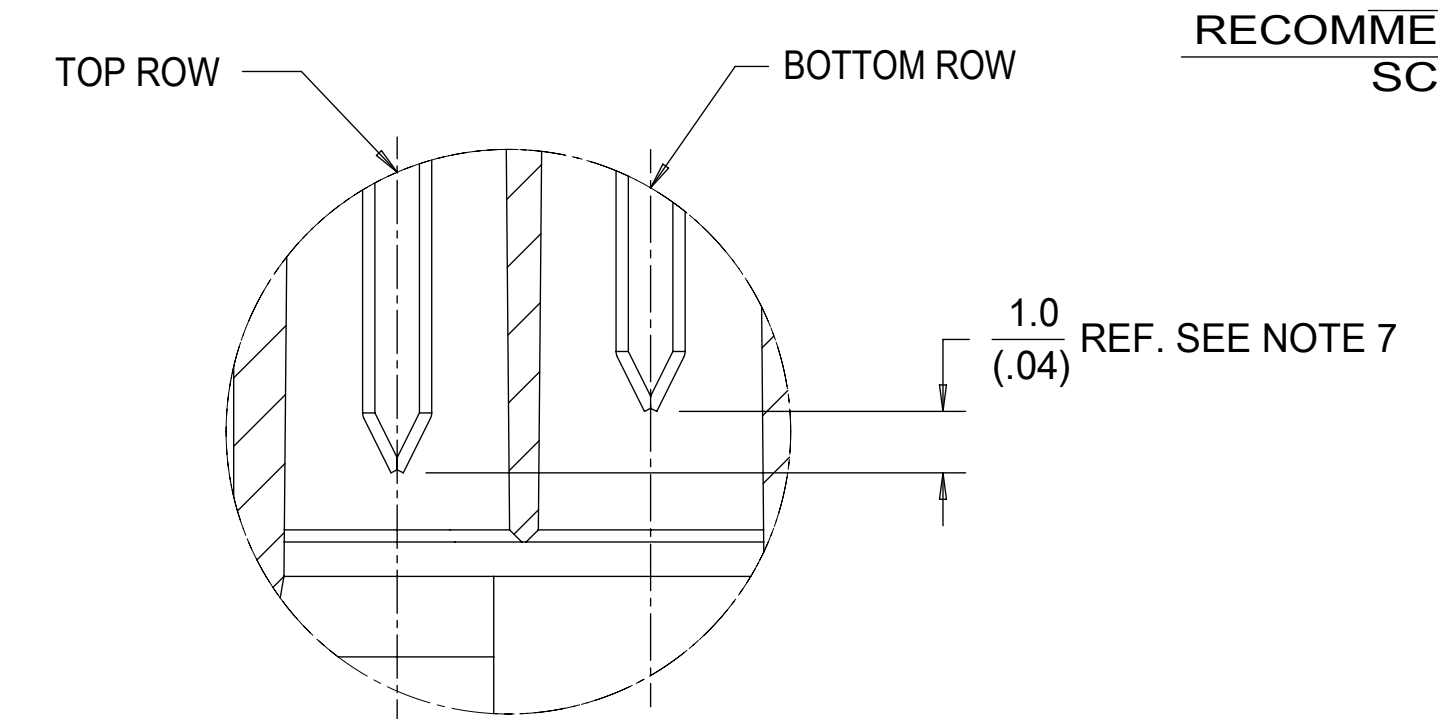


PANEL OPENING
RECOMMENDED PANEL THICKNESS 1.60/.063
SCALE: 2:1



VIEW "Z"
SCALE 8:1

SHOWN AFTER TERMINAL INSTALLATION BY CUSTOMER

- NOTES:
1. MATERIAL: NYLON 94V-2 COLOR: NATURAL WHITE
 2. FINISH: NONE
 3. PRODUCT SPECIFICATON: PS-43759-0001.
 4. PACKAGING SPECIFICATION: PK-43770-001.
 5. PART IS FOR USE WITH MALE TERMINAL *5558.
 6. CONNECTOR ASSEMBLIES ARE NOT TO BE MATED OR UNMATED WHILE CIRCUITS ARE LIVE.
 7. THIS PART IS DESIGNED TO PROVIDE MAKE-FIRST/BREAK-LAST FUNCTION ON THE TOP ROW.
 8. THIS PART MATES WITH MOLEX RECEPTACLE *43760
 9. PART CONFORMS TO CLASS 'B' REQUIREMENTS OF COSMETIC SPECIFICATION PS-45499-002.
 10. THESE PARTS ARE MADE FROM NYLON AND WILL ABSORB MOISTURE AND CHANGE DIMENSIONALLY, EXCESSIVE MOISTURE MAY CAUSE PARTS TO BE DIFFICULT TO INSERT IN PANEL.
 11. PART ALLOWS FOR UP TO .100/(2.54) MISALIGNMENT WITH MATING RECEPTACLE IN ANY DIRECTION. SEE MATING CONNECTOR DRAWINGS FOR SPECIFIC ALLOWANCES.

QUALITY SYMBOLS		THIS DRAWING CONTAINS INFORMATION THAT IS PROPRIETARY TO MOLEX ELECTRONIC TECHNOLOGIES, LLC AND SHOULD NOT BE USED WITHOUT WRITTEN PERMISSION		GENERAL TOLERANCES (UNLESS SPECIFIED)		DIMENSION UNITS		SCALE			
▽ = 0	▽ = 0	2015/11/03	2015/12/10	MM/IN	4:1	DRWN BY		DATE			
▽ = 0	▽ = 0	2015/12/10	2015/12/10	ANGULAR TOL ± 0.5 °		MANAPAZ		06/18/97		PLUG HOUSING, 36 CIRCUIT MAKE FIRST/BREAK LAST MINI-FIT BMI SERIES	
▽ = 0	▽ = 0	CONVERTED TO NX		4 PLACES ±		CHKD BY		DATE			
▽ = 0	▽ = 0	EC NO: 101816		3 PLACES ±		BANDURA		06/20/97		PRODUCT CUSTOMER DRAWING	
▽ = 0	▽ = 0	DRWN: NKN02		2 PLACES ± 0.25		APPR BY		DATE			
▽ = 0	▽ = 0	CHKD: FSMITH		1 PLACE ± 0.35		FSMITH		2015/09/28		SERIES: 43770 MATERIAL NUMBER: 437700001 CUSTOMER: GENERAL MARKET	
▽ = 0	▽ = 0	REV APPR: FSMITH		0 PLACES ±		DRAWING SIZE		THIRD ANGLE PROJECTION		DOCUMENT NUMBER: SD-43770-001 DOC TYPE: PSD DOC PART: 000 SHEET NUMBER: 1 OF 1	
▽ = 0	▽ = 0	C2		DRAFT WHERE APPLICABLE MUST REMAIN WITHIN DIMENSIONS		D					