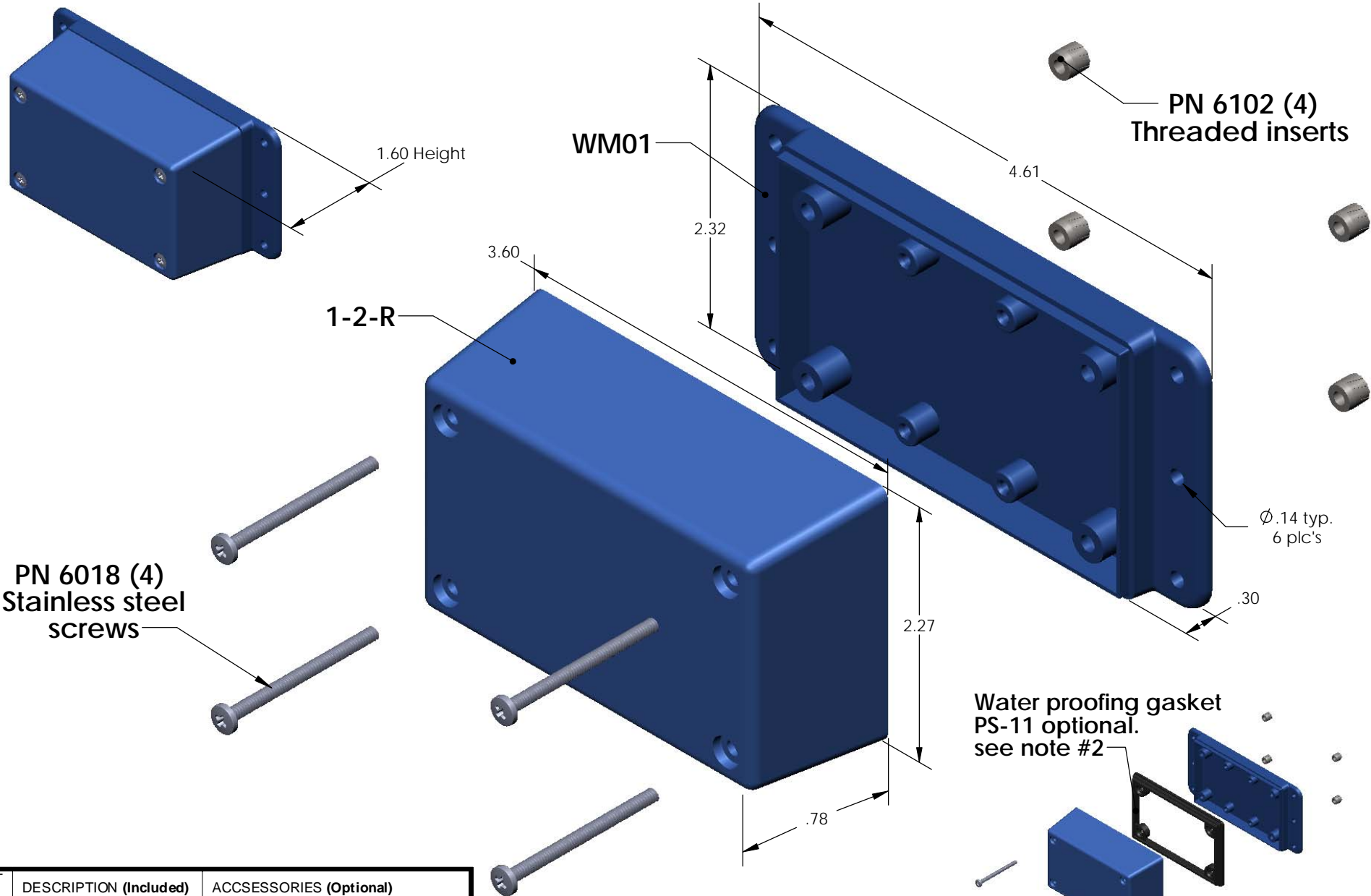


SERPAC WM012-R (exploded isometric)

Electronic Enclosures

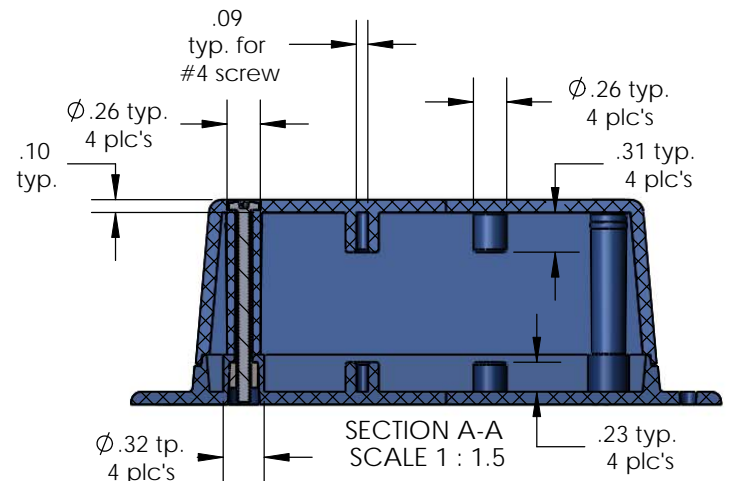
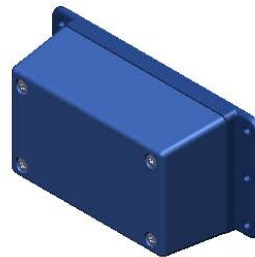
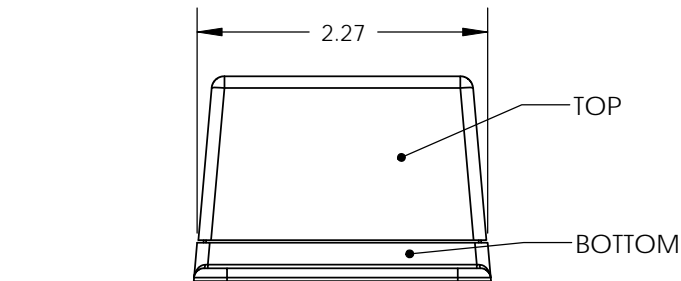
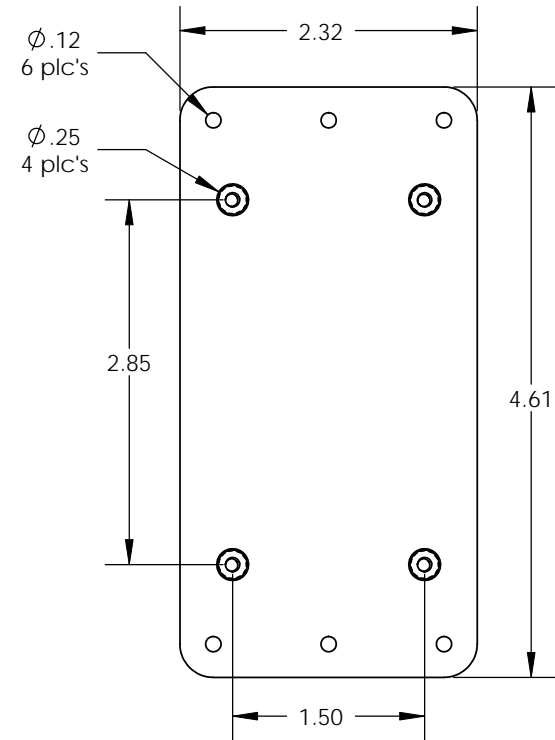
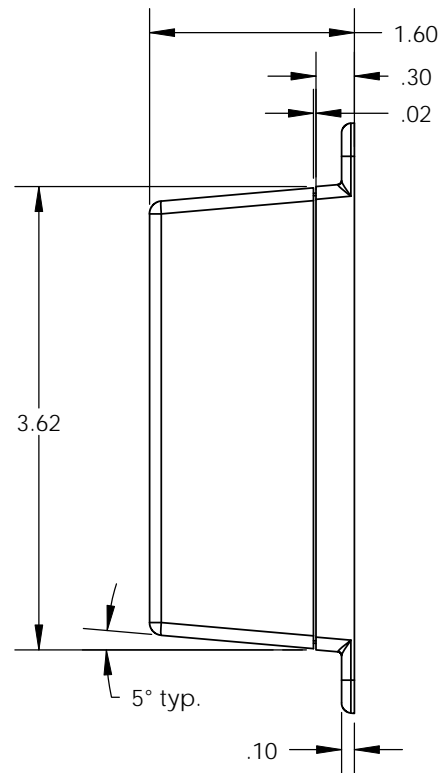
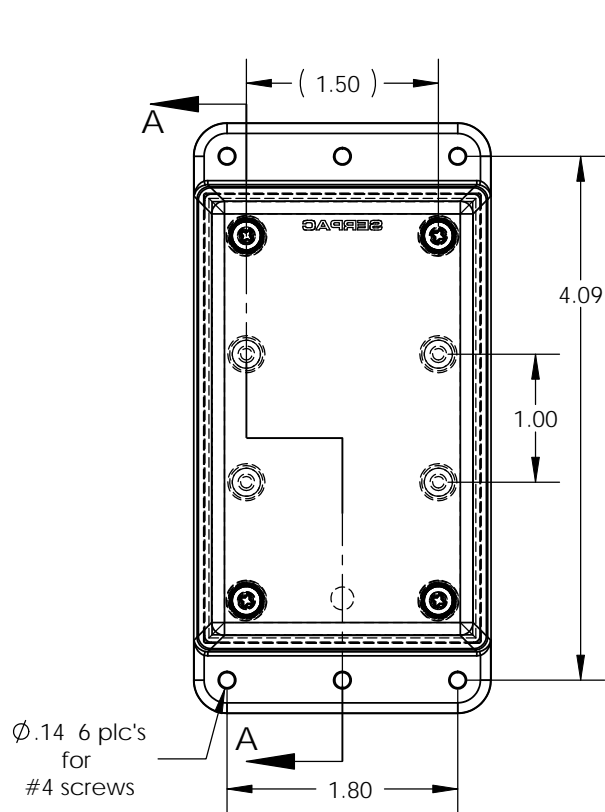


PART NO.	DESCRIPTION (Included)	ACCESSORIES (Optional)	
1-2-R	TOP	PART NO.	DESCRIPTION
WM01	BOTTOM	50	Non-skid Feet
6018	4-40 SCREW (4)	PS-11	Perimeter Seal
6102	THREADED INSERTS (4)	310	Prototype grid board
		410	Prototype clad board

Notes:
 1) Enclosure meets or exceeds IP40 and NEMA 1
 2) When used with PS-11 the enclosure meets or exceeds IP 67 and NEMA 4X, 12 and 13 MIL-STD-810G 506.5
 3) Circuit Board drawings can be download at:
<http://www.serpac.com/Accessories/CircuitBoard/drawings/310-410.pdf>
 4) All components are RoHS Compliant.

Water proofing gasket PS-11 optional. see note #2

ALL DIMENSIONS ARE ± .010" 5/7/09 (1 of 2)
619 Commercial Ave. Covina, CA 91723
 Ph. (626) 331-0517 Fx. (626) 331-8584 serpac.com



PART NO.	DESCRIPTION (Included)	ACCESSORIES (Optional)	
1-2-R	TOP	PART NO.	DESCRIPTION
WM01	BOTTOM	50	Non-skid Feet
6018	4-40 SCREW (4)	PS-11	Perimeter Seal
6102	THREADED INSERTS (4)	310	Prototype grid board (Horiz)
		410	Prototype clad board (Horiz)

Notes:

- 1) Enclosure meets or exceeds IP40 and NEMA 1
- 2) When used with PS-11 the enclosure meets or exceeds IP 67 and NEMA 4X, 12 and 13 MIL-STD-810G 506.5
- 3) Circuit Board drawings can be download at: <http://www.serpac.com/Accessories/CircuitBoard/drawings/310-410.pdf>
- 4) All components are RoHS Compliant.