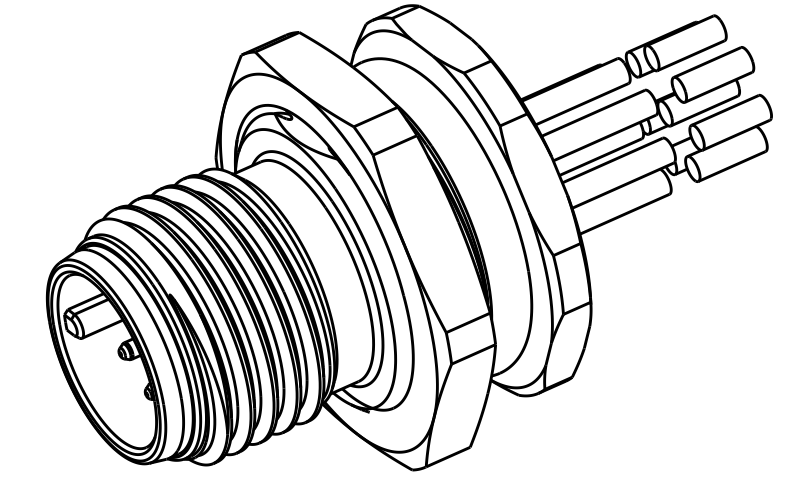
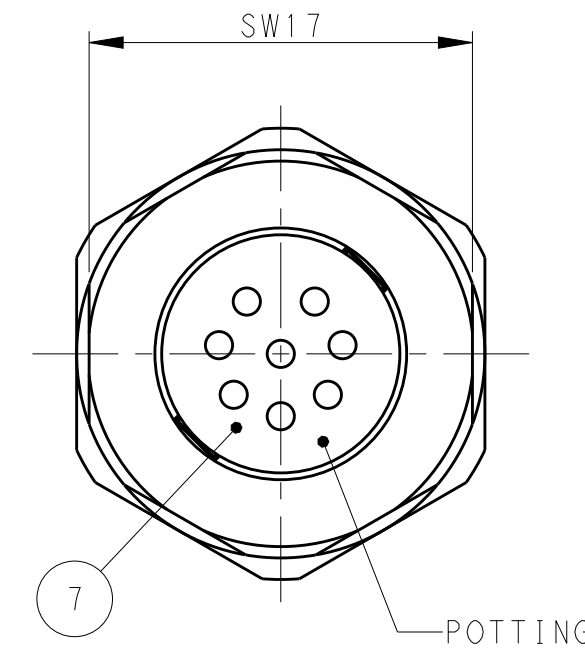
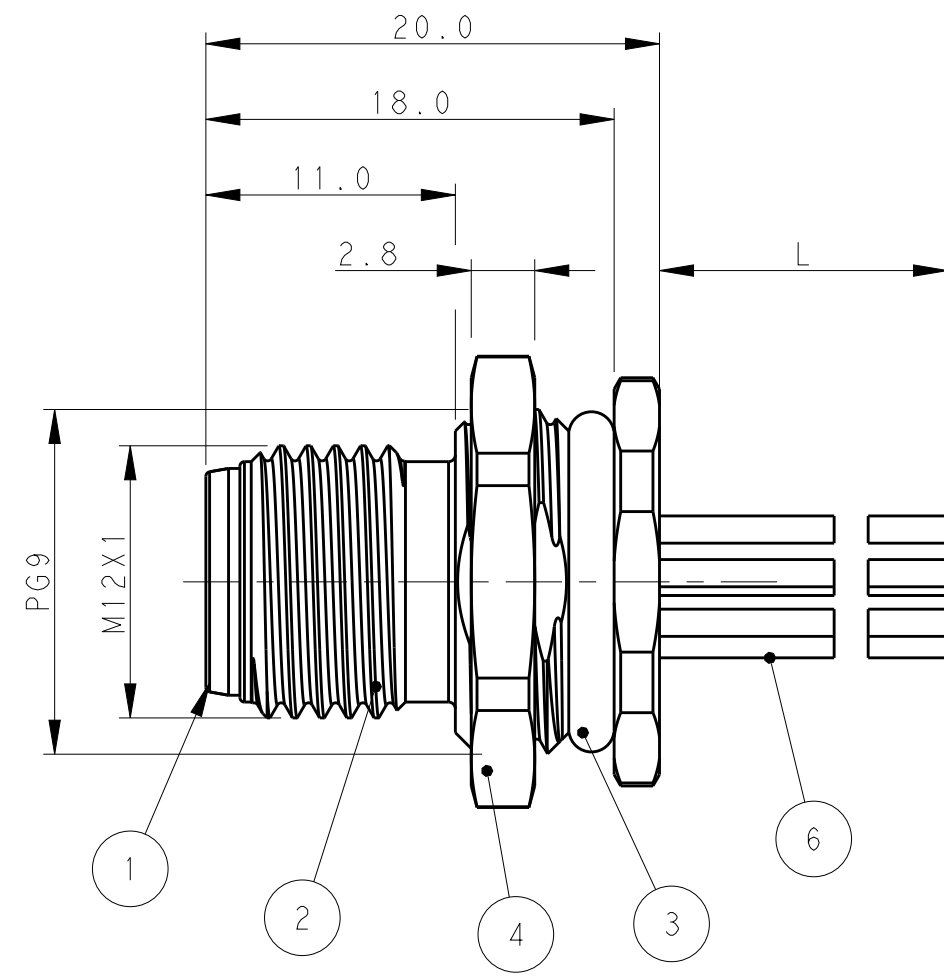
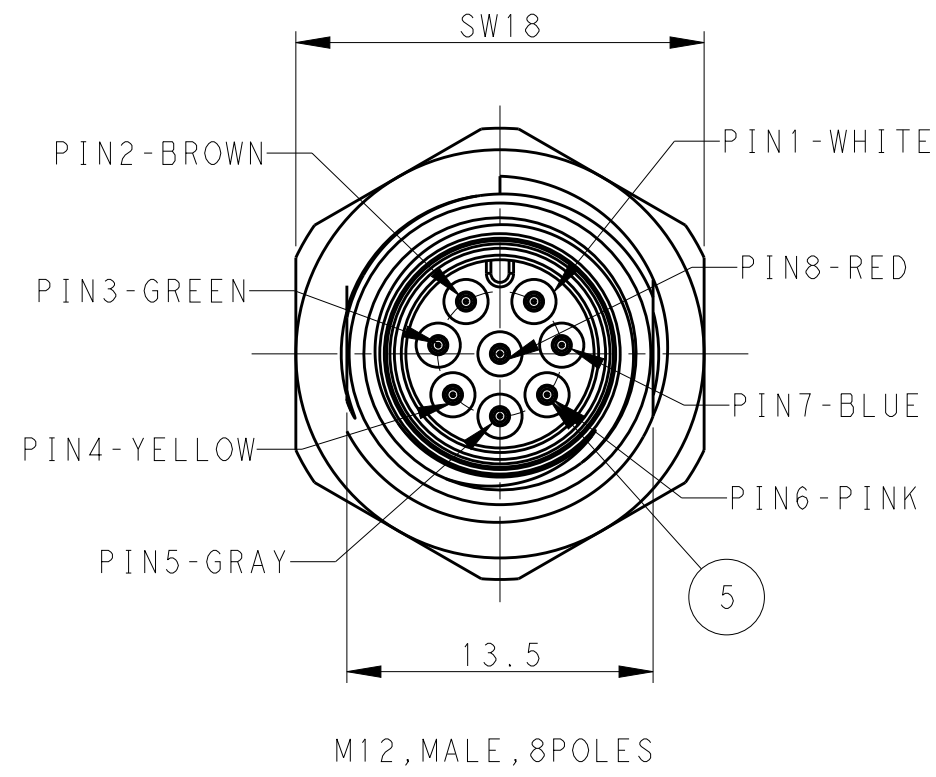


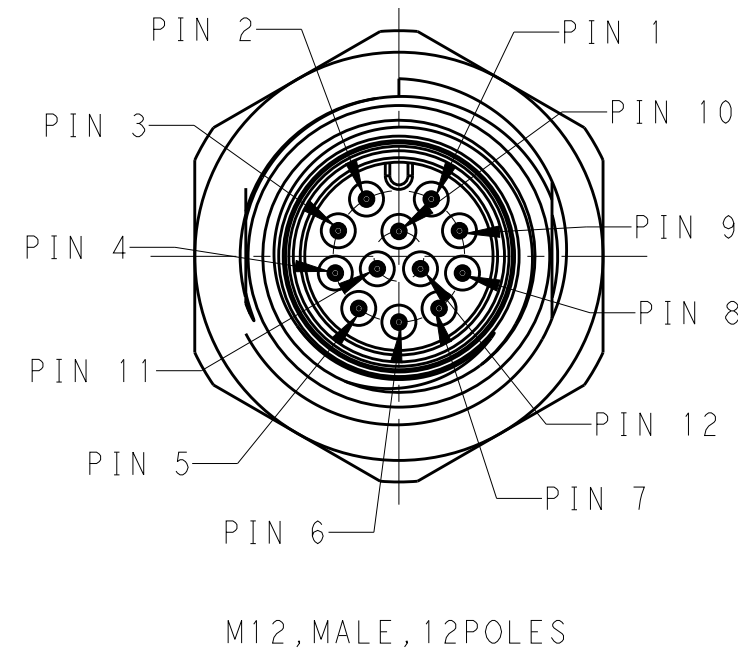
THIS DRAWING IS UNPUBLISHED. RELEASED FOR PUBLICATION
 © COPYRIGHT copyright.d8Te- ALL RIGHTS RESERVED.

REVISIONS					
P	LTR	DESCRIPTION	DATE	DWN	APVD
A		INITIAL RELEASE	03JAN2018	G.W	C.W
B		ECR-19-009136	30JUL2019	C.D	C.W



- NOTE:
1. TECHNICAL DATA: SEE TABLE 1
 2. RECOMMENDED MOUNT PANEL SEE DETAIL
 3. PACKAGING: 1 PIECE IN A BAG
 4. ALL DIMENSIONS ARE FOR NOMINAL REFERENCE ONLY UNLESS OTHERWISE STATED

- 注释:
1. 技术参数, 见表 1
 2. 推荐开孔尺寸详见如图所示
 3. 包装: 1PCS/袋
 4. 所有尺寸仅供参考, 除非另有说明

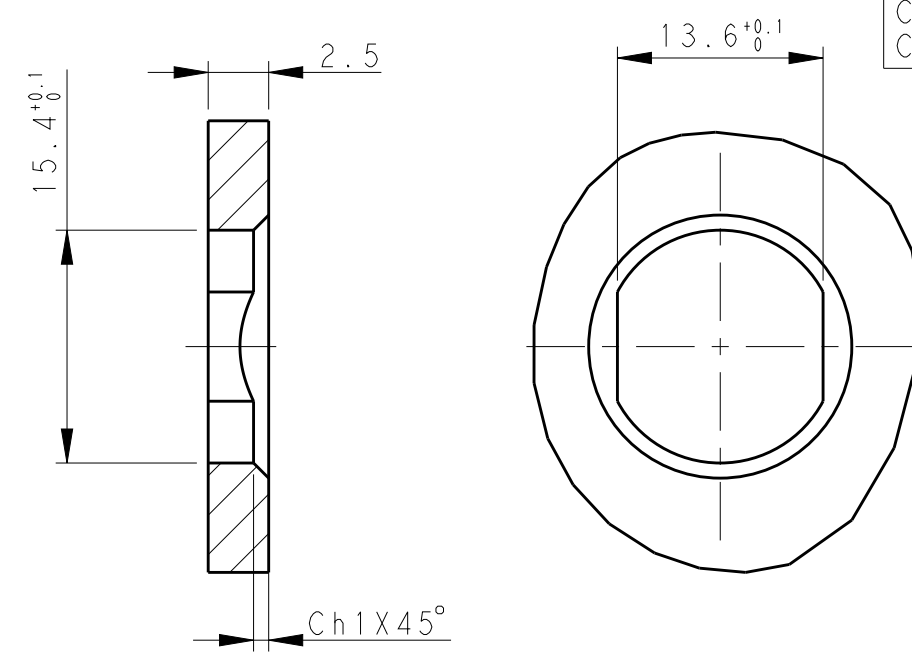


CIRCUIT DIAGRAM

WIRES:	CABLE LENGTH	TYPE	POS.	PART NUMBER	DESCRIPTION
0.25MM ² (24AWG) FOR 8P	-001: 0.2M	RPC-M12-MF-12CON-PG9-X.XLAU	12	T4171030012-00X	M12带PVC线板后安装PG9锁紧A型12针公底座XX米
0.14MM ² (26AWG) FOR 12P	-002: 0.5M				
	-003: 1.0M				
	-004: 1.5M				
	-005: 3.0M				
	-006: 5.0M				
	-007: 7.0M				
	-008: 10.0M				
	CUSTOMIZATION:	RPC-M12-MF-8CON-PG9-X.XLAU	8	T4171020008-00X	M12带PVC线板后安装PG9锁紧A型8针公底座XX米
	-**0: 00.0M				
	-001: **.5M				
	-99*: 0.*M				

TABLE 1

TECHNICAL DATA	T4171020008-00X	T4171030012-00X
RATED VOLTAGE	30V	30V
RATED CURRENT	2A	1.5A
POLLUTION DEGREE	3	3
OVERVOLTAGE CATEGORY	II	II
MATERIAL GROUP	II	II
DEGREE OF PROTECTION	IP67	IP67
OPERATION TEMPERATURE	-40~85°C	-40~85°C



RECOMMENDED PANEL CUTOUT

OTHERS	MATERIAL	DESCRIPTION	ITEM
-	EPOXY RESIN	POTTING ADHESIVE	7
-	-	CABLE	6
GOLD PLATED	COPPER ALLOY	CONTACT	5
NICKEL PLATED	COPPER ALLOY	METAL NUT	4
BLACK	RUBBER	O-RING	3
NICKEL PLATED	COPPER ALLOY	M12, MALE, METAL BODY	2
-	PA66	M12, MALE HSG	1

THIS DRAWING IS A CONTROLLED DOCUMENT.

DWN: GAVIN WANG 03JAN2018
 CHK: KEVIN HUANG 03JAN2018
 APVD: CHRIS WANG 03JAN2018

STE TE Connectivity

NAME: M12 PANEL MOUNT CONNECTOR
 A CODE, MALE, REAR MOUNT, WHIT WIRE

PRODUCT SPEC: 108-106140
 APPLICATION SPEC: 114-137144

MATERIAL: -
 DIMENSIONS: mm
 TOLERANCES UNLESS OTHERWISE SPECIFIED:
 0 PLC ±
 1 PLC ±
 2 PLC ±
 3 PLC ±
 4 PLC ±
 ANGLES ±
 FINISH -

SIZE: A2
 CAGE CODE: -
 DRAWING NO: T417102000800X
 RESTRICTED TO: -

CUSTOMER DRAWING
 SCALE: 3:1
 SHEET: 1 OF 1
 REV: B