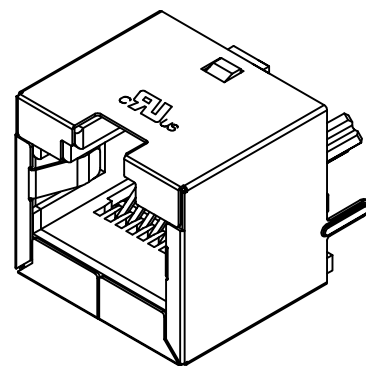
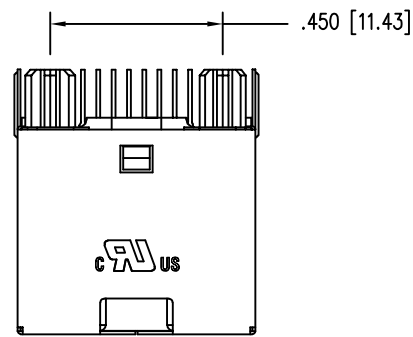
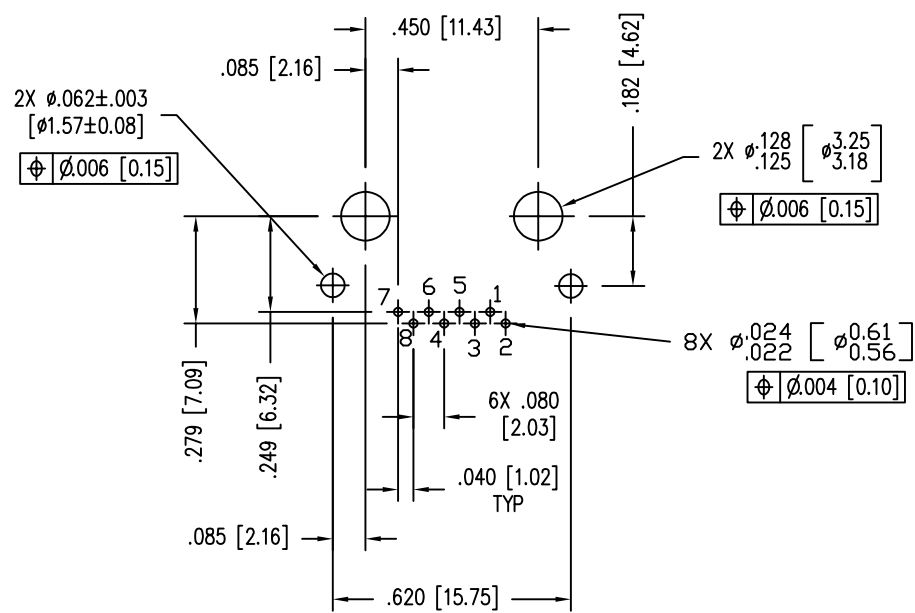


DATE	REV	ECN	APP'D. BY
-	A0	-	-

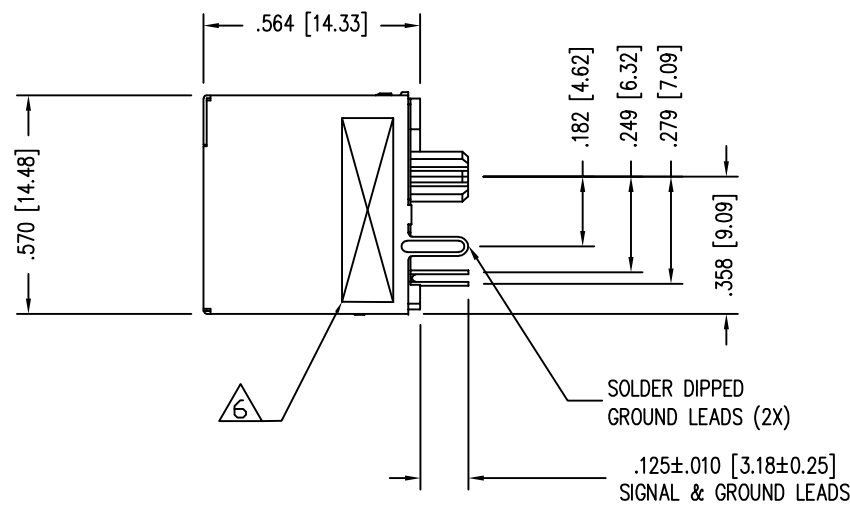
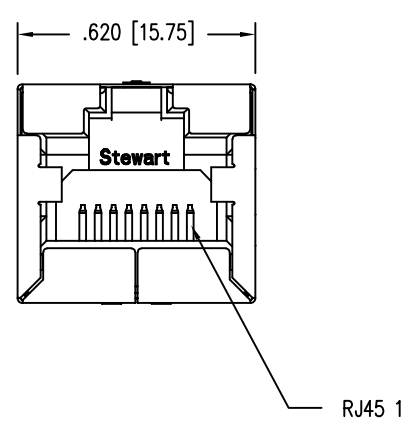


ISOMETRIC VIEW



P.C.B. RECOMMENDED HOLE LAYOUT
SEEN FROM COMPONENT SIDE
ALL CENTERLINE DIMENSIONS ARE BASIC.

- NOTES:
- CONNECTOR MATERIALS:
HOUSING: THERMOPLASTIC UL94 V-0
CONTACTS/SHIELD: COPPER ALLOY
SHIELD PLATING: NICKEL OR TIN
CONTACT PLATING: SELECTIVE GOLD IN CONTACT AREA
SEE CHART FOR PART NUMBER
 - DIMENSIONS AND TOLERANCES COMPLY WITH TIA-1096 STANDARD.
 - DIELECTRIC WITHSTANDING VOLTAGE (CONTACT TO SHIELD) : 2250VDC
 - HIGH TEMPERATURE PLASTIC; WAVE SOLDER COMPATIBLE TO 260°C
 - FOR PRODUCT SPECIFICATION SEE PRO26-01
 - LOGO, PART NUMBER AND DATE CODE LOCATED APROX. IN THIS AREA.
 - FOR PROPER JACK FUNCTION AND PERFORMANCE, TIA-1096 COMPLIANT PLUGS MUST BE USED.



50 MICRO-INCHES [1.27um]	SS-60300-080
CONTACT PLATING IN MATING AREA	PART NUMBER

THIRD ANGLE PROJECTION		11118 Susquehanna Trail South Glen Rock, PA 17327-9199 (717) 235-7512 http://www.stewartconnector.com
DO NOT SCALE DRAWING DRAWING IS SUBJECT TO CHANGE WITHOUT NOTICE		

TITLE: 10G, 5G, 2.5G, VERTICAL NF SHIELDED JACK

DIMENSIONS: INCHES [METRIC] UNLESS OTHERWISE SPECIFIED TOLERANCES ARE ±.005 [0.13] ANGLES ARE ± 1°	DRN BY: TRM	DATE: 8-28-17
	APPD BY: DHG	DATE: 8-28-17
SHEET NO. 1 OF 1	DWG NO. CT600189	REV. A0

