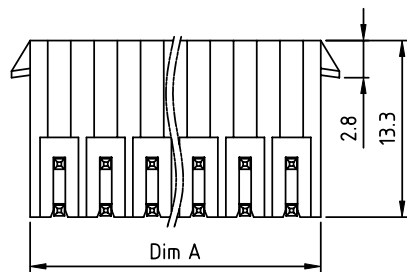
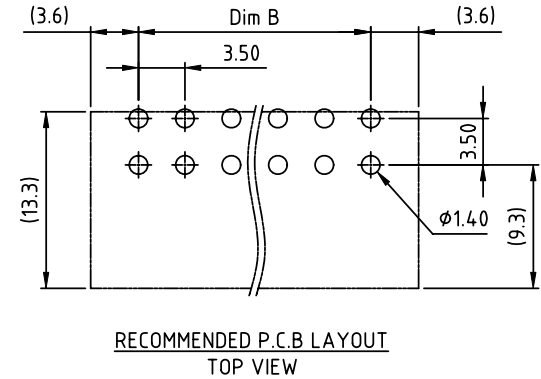
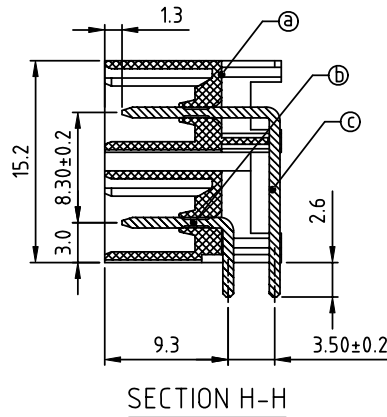
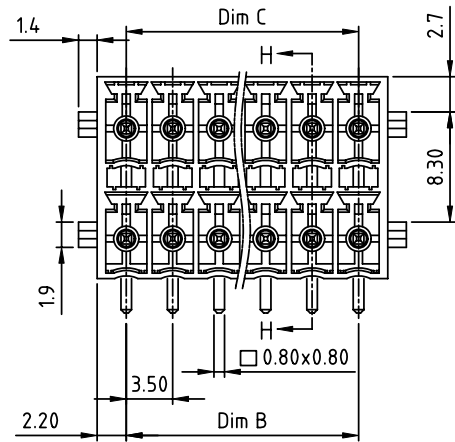


PRODUCT NUMBER	PITCH
KExx13x1A0J0G	3.50 mm



Material:

- Item@ Terminal(housing):Thermoplastic resin (UL94V-0)
- ItemⓅ Short pin: Copper Tin plated
- ItemⓄ Long pin: copper Tin plated

Electrical:

- Voltage rating: 160V
- Current rating: 5.5A
- Withstanding Voltage: 1.32 KV
- Operating temperature: -40°C to +115°C
- Soldering temperature: 260°C ±5°C/5 Sec
- Safety Approval:

PART NO.: KE xx 1 3 x 1 A0J0 G

Dim A=(N/2-1)×3.5+4.4	
Dim B=(N/2-1)×3.5	
Dim C=(N/2-1)×3.5	
N=Number of poles	
POLES	Tolerance
2x2p-2x6p	±0.15
2x7p-2x12p	±0.20
2x13p-2x18p	±0.25
2x19p-2x24p	±0.30

Solid block	No. of poles	Color	RoHS compliant
0	2	Black (RAL9005)	(lead<4%)
04	2x2poles	Red (RAL3001/D)	In copper Alloy
06	2x3poles	Orange(RAL2011/P)	
...	...	4 Yellow(RAL1018/A)	
48	2x24poles	5 Green(RAL6018/T)	
		6 Blue (RAL5015/A)	
		8 Grey(RAL7035/D)	
		9 White(RAL1102)	
		C Green(RAL6018/U)	

mat'l. code		surface ASME Y14.5	tolerance ASME Y14.5	projection	product family
ltr	ecn no	dr	date		TERMINAL BLOCK
				tolerances unless otherwise specified	title
				angles	TERMINAL BLOCK
				φ	PLUGGABLE SOCKET,RIGHT ANGLE,W/LATCH HOLDER
				X°±1'	scale
				dr	MM
				ENGR	EVIN ZHONG 042414
				chr	HANKE FENG 042414
				appd	SHI JUN 042414
					FCI
sheet index	revision	A			dwg no
	sheet	1			sheet 1 of 1 size
					KExx13x1A0J0G
					A4
					type
					CUSTOMER Drawing