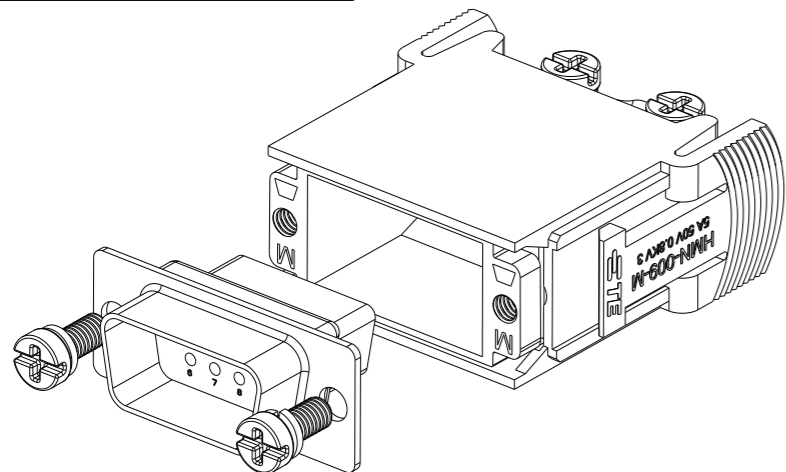
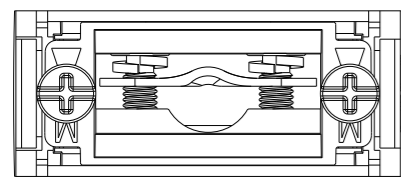
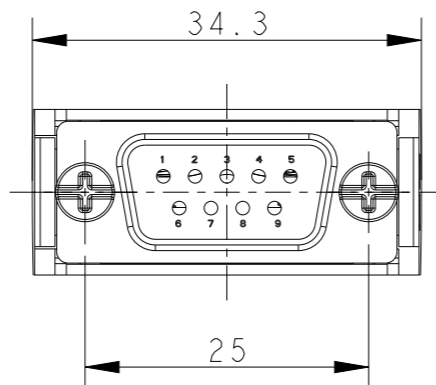
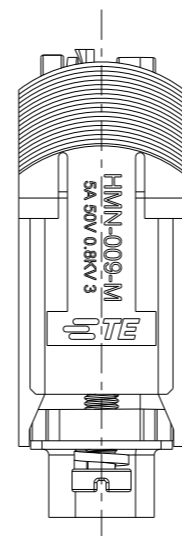
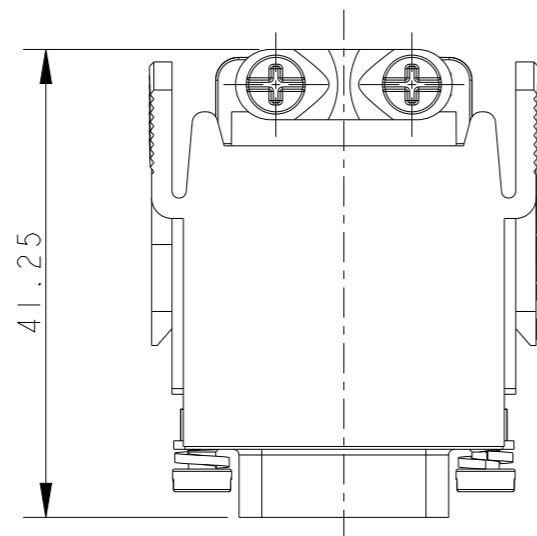
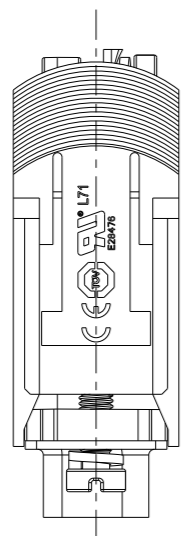
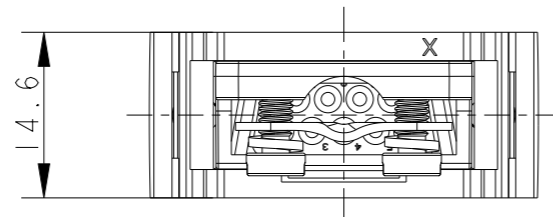
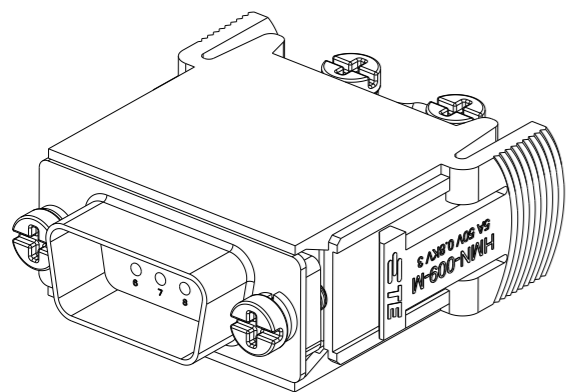


REVISIONS

P	LTR	DESCRIPTION	DATE	DWN	APVD
B1		ECR-18-013580	30AUG2018	WQR	CW
B2		ECR-19-000492	23JAN2019	AL	CW
C		ECR-19-004179	24APR2019	AL	CW
D		ECR-21-111798	27SEP2021	WQR	CW



NOTES:

- TECHNICAL CHARACTERISTICS:
 INSULATION MATERIAL: PC
 RATED VOLTAGE: 50V
 RATED CURRENT: 5A
 INSULATION RESISTANCE: $\geq 400M\Omega$
 RATED IMPULSE VOLTAGE: 0.8KV
 POLLUTION DEGREE: 3
 FLAMMABILITY: UL94V-0
 MATING CYCLES: 500 CYCLES
 WIRE RANGE: 0.08~0.52 mm² (28~20 AWG)
 CONTACT TYPE: CRIMP CONTACT
- CONTACT NEED TO BE ORDERED SEPARATELY.
 (ORDER No. REFER TO DRAWING:T20700X10XX000)

注释:

- 技术参数:
 绝缘材料: PC
 额定电压: 50V
 额定电流: 5A
 绝缘电阻: $\geq 400M\Omega$
 额定脉冲电压: 0.8KV
 污染等级: 3
 阻燃等级: UL94V-0
 插拔次数: 500次
 接线范围: 0.08~0.52 mm² (28~20 AWG)
 接线类型: 冷压接
- 端子需要单独订购.
 (订货号参考图面: T20700X10XX000)

T2111092101-000	HMN-009-M	HMN-009 MALE MODULE INSERT HMN-009模块公插
PART NUMBER 料号	PART DESCRIPTION 描述	

THIS DRAWING IS A CONTROLLED DOCUMENT.		DWN 24MAR2015 David Wang		
		CHK 24MAR2015 Chris Wang		
		APVD 24MAR2015 Xiang Xu	NAME HMN-009-M	
DIMENSIONS: mm		PRODUCT SPEC 108-137064		
TOLERANCES UNLESS OTHERWISE SPECIFIED:		APPLICATION SPEC 114-137064		
0 PLC ±-		WEIGHT -	SIZE A3	CAGE CODE 00779
1 PLC ±-			DRAWING NO. T2111092101000	
2 PLC ±-			RESTRICTED TO -	
3 PLC ±-				
4 PLC ±-				
ANGLES ±-				
FINISH -				
MATERIAL -				
		Customer Drawing	SCALE 3:2	SHEET 1 OF 1
			REV D	