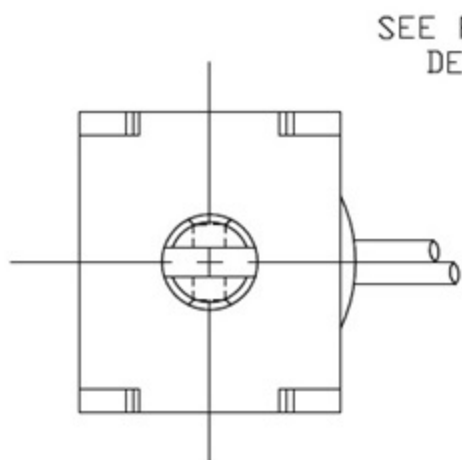
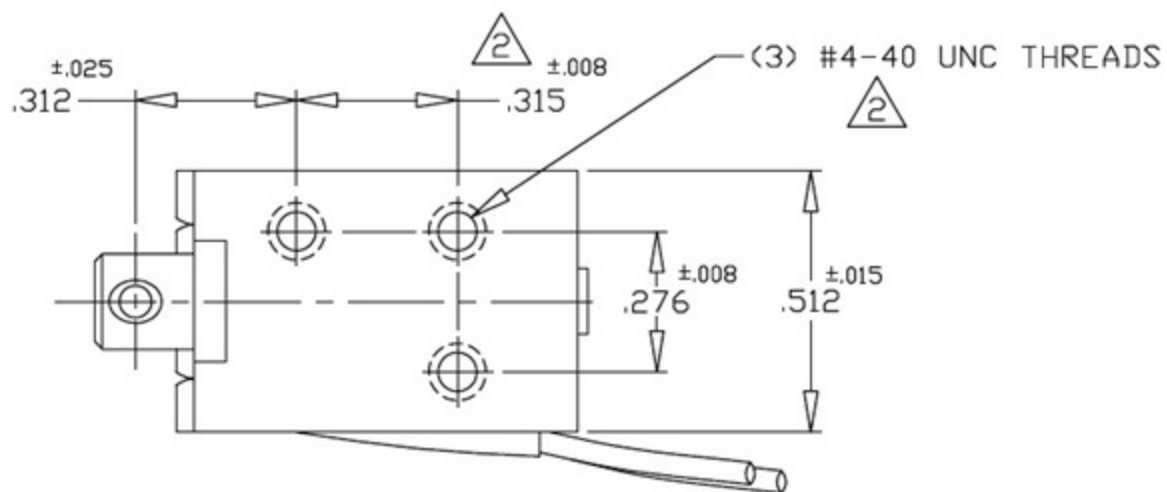
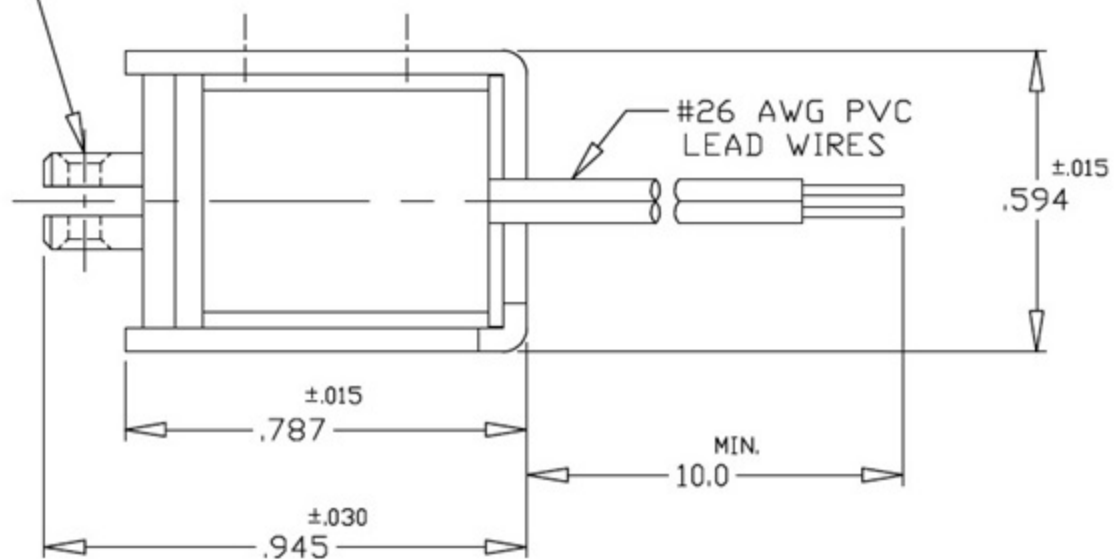


PLUNGER DETAIL



SEE PLUNGER
DETAIL



UNLESS OTHERWISE SPECIFIED
 ALL DIMENSIONS IN: INCHES METRIC (mm)
 METRIC DECIMAL
 X.X \pm 0.5 mm .XX \pm .010 IN
 X.XX \pm 0.13 mm .XXX \pm .005 IN
 ANGLES: \pm
 ES-612 & ES-613 APPLIES
 THIRD ANGLE PROJECTION

TITLE		SOLENOID - BOX FRAME	
CODE IDENT	81840	DRWG. NO.:	B17-2XX-A-1
A		SCALE:	NONE
		SHEET	1 OF 1

Saia Burgess LLC
 801 Scholtz Dr.
 Vandalia, OH 45377