



# 80×80×25 mm

San Ace 80W 9WP type

## General Specifications

- Material ..... Frame: Plastic (Flammability: UL 94V-0), Impeller: Plastic (Flammability: UL 94V-1)
- Expected life ..... See the table below. (L10 life: 90% survival rate for continuous operation in indoor free air at 60°C, rated voltage)
- Motor protection function ..... Locked rotor burnout protection, Reverse polarity protection  
For details, please refer to p. 547.
- Dielectric strength ..... 50/60 Hz, 500 VAC, for 1 minute (between lead wire conductors and frame)
- Insulation resistance ..... 10 MΩ or more with a 500 VDC megger (between lead wire conductors and frame)
- Sound pressure level (SPL) ..... At 1 m away from the air inlet
- Storage temperature ..... -30 to +70°C (Non-condensing)
- Lead wire ..... ⊕Red ⊖Black (Sensor) Yellow
- Mass ..... 130 g
- Ingress protection ..... IP68

## Specifications

The models listed below **have ribs and pulse sensors**. For models without ribs, append "1" to the end of model numbers.

Model no.	Rated voltage [V]	Operating voltage range [V]	Rated current [A]	Rated input [W]	Rated speed [min <sup>-1</sup> ]	Max. airflow [m <sup>3</sup> /min] [CFM]	Max. static pressure [Pa] [inchH <sub>2</sub> O]	SPL [dB (A)]	Operating temperature [°C]	Expected life [h]
9WP0812G401	12	10.8 to 13.2	0.38	4.56	4500	1.5 53	80.4 0.323	40	-20 to +60	40000/60°C
9WP0812H401		10.2 to 13.8	0.13	1.56	2900	1.03 36.4	35.3 0.142	29		60000/60°C
9WP0824S401	24	20.4 to 27.6	0.1	2.4	3400	1.2 42.4	48.0 0.193	34	-20 to +70	40000/60°C
9WP0824H401			0.07	1.68	2900	1.03 36.4	35.3 0.142	29		60000/60°C
9WP0848S401	48	40.8 to 55.2	0.06	2.88	3400	1.2 42.4	48.0 0.193	34	-20 to +70	40000/60°C

The following sensor and control options are available for selection.

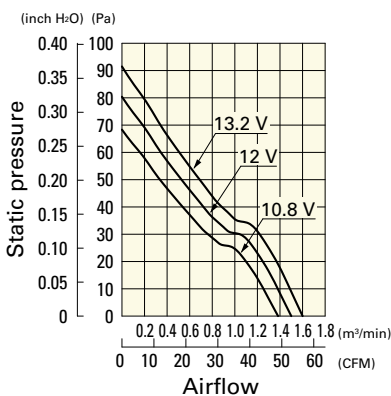
Available for all models. **Without sensor**

Differs according to the model. Refer to the table on p. 580. **Lock sensor** **PWM control**

## Airflow - Static Pressure Characteristics

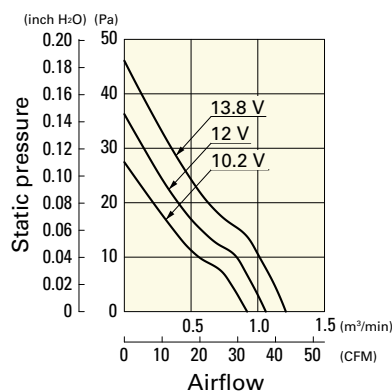
**9WP0812G401** With pulse sensor

Operating voltage range



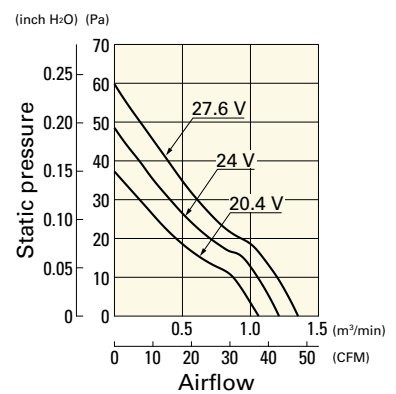
**9WP0812H401** With pulse sensor

Operating voltage range



**9WP0824S401** With pulse sensor

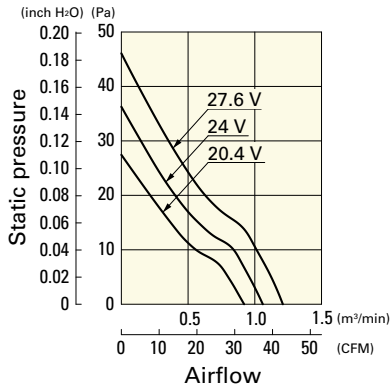
Operating voltage range



## Airflow - Static Pressure Characteristics

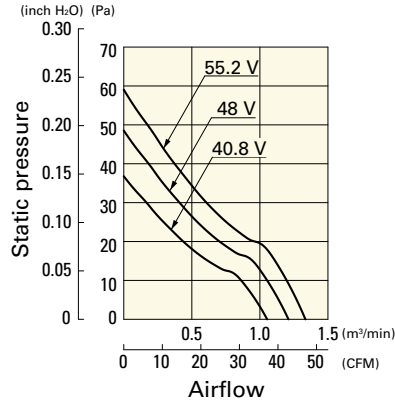
**9WP0824H401** With pulse sensor

Operating voltage range

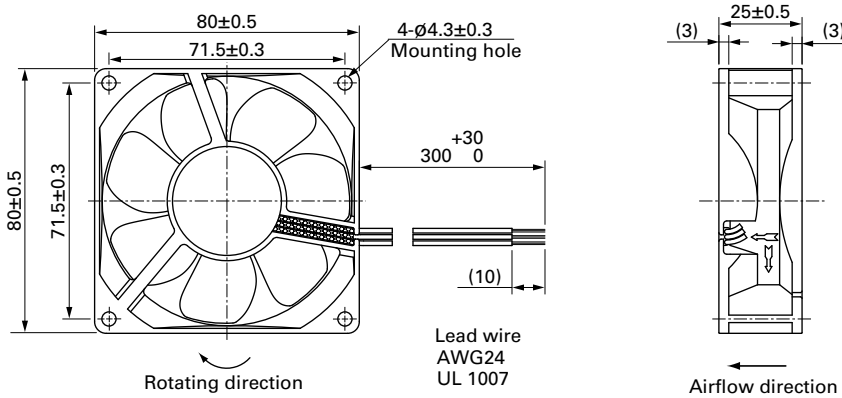


**9WP0848S401** With pulse sensor

Operating voltage range

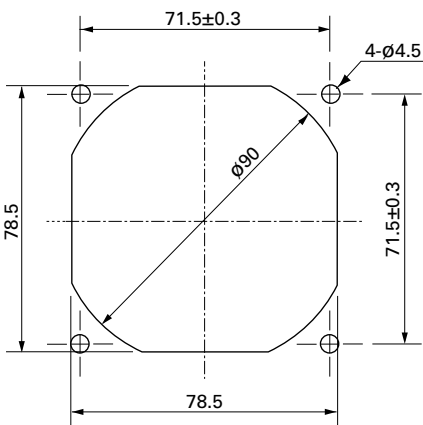


## Dimensions (unit: mm) (With ribs)



## Reference Dimensions of Mounting Holes and Vent Opening (unit: mm)

Inlet side, Outlet side



## Options

Finger guards

page: p. 532

Model no.: 109-049E, 109-049H, 109-049C

Resin finger guards

page: p. 539

Model no.: 109-1002G