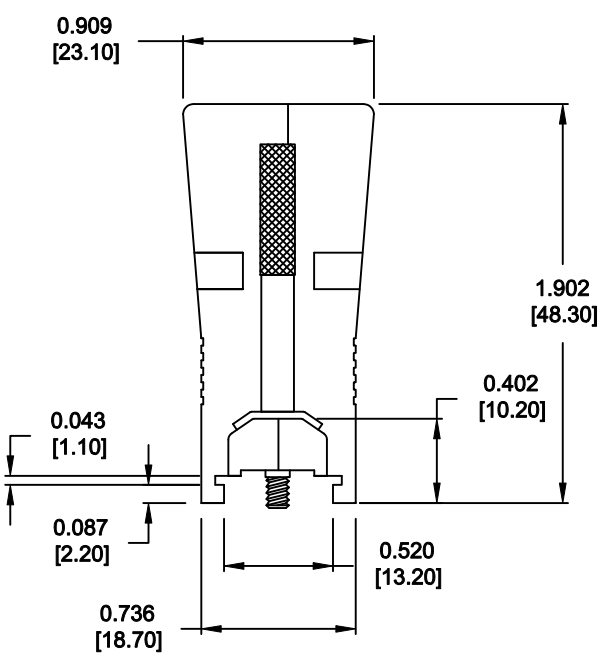
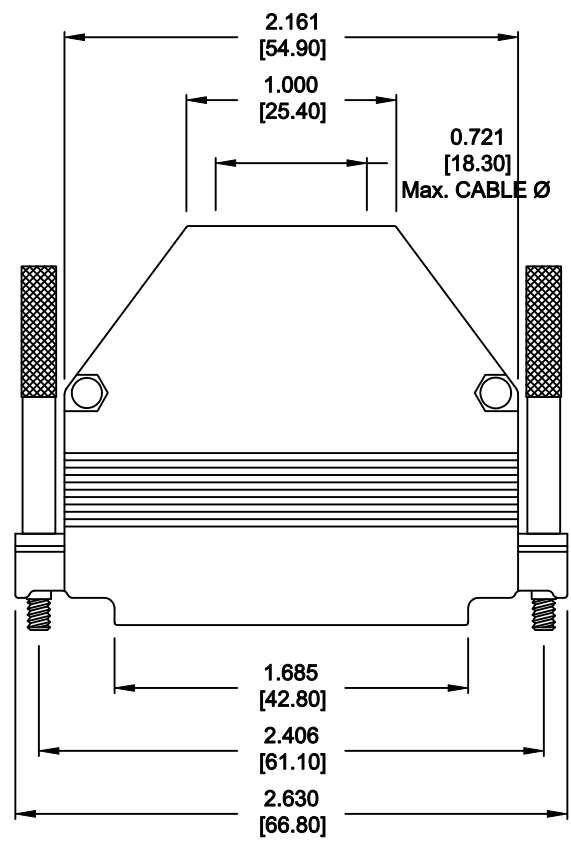


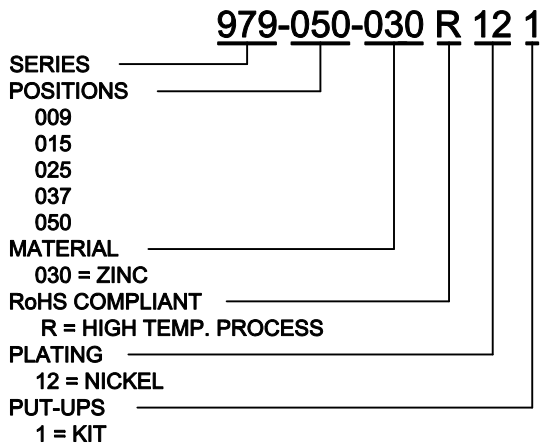
ALL TOLERANCES = ±0.004 [±0.10]
UNLESS OTHERWISE INDICATED

BACK SHELL KIT INCLUDES:

- 2 - BACK SHELL HALVES
- 2 - 4-40 THUMBSCREWS
- 2 - SADDLE WASHERS
- 2 - HOUSING SCREWS
- 2 - HOUSING NUTS
- 1 - GROMMET TREE - VARIOUS SIZES
(NON-CONDUCTIVE GROMMETS)



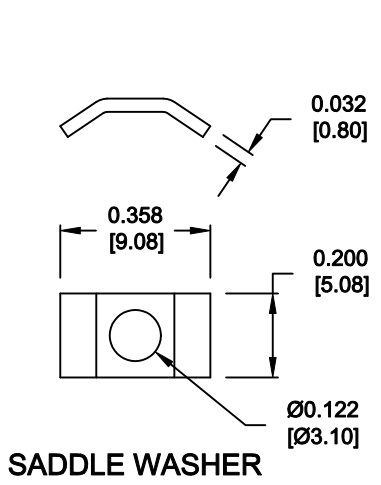
MATERIAL: DIE-CAST ZINC ALLOY
PLATING: NICKEL
OPERATING TEMPERATURE: -45°C TO +120°C



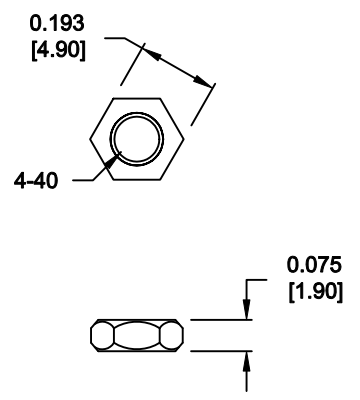
DO NOT SCALE FROM DRAWING

RoHS COMPLIANT

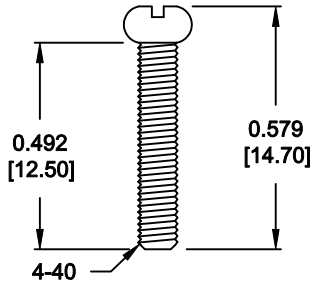
| | | | | |
|----------------|---|--------------------------------|----------------------------|--------------------------|
| | THESE DRAWINGS AND SPECIFICATIONS ARE THE PROPERTY OF NorComp AND SHALL NOT BE REPRODUCED, COPIED OR USED AS THE BASIS FOR THE MANUFACTURE OF SALE OF APPARATUS WITHOUT WRITTEN PERMISSION. | | DRAWN: C. SMITH | DATE: 04-20-10 |
| | | | CHECKED: | DATE: |
| NorComp | | SCALE: 1 : 1 | SHEET 1 OF 2 | REV 2 |
| | | DWG NO. 979-050-030R121 | | |



SADDLE WASHER



HOUSING NUT

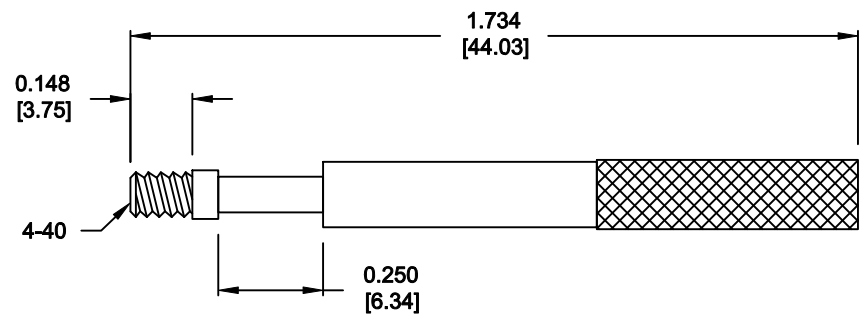
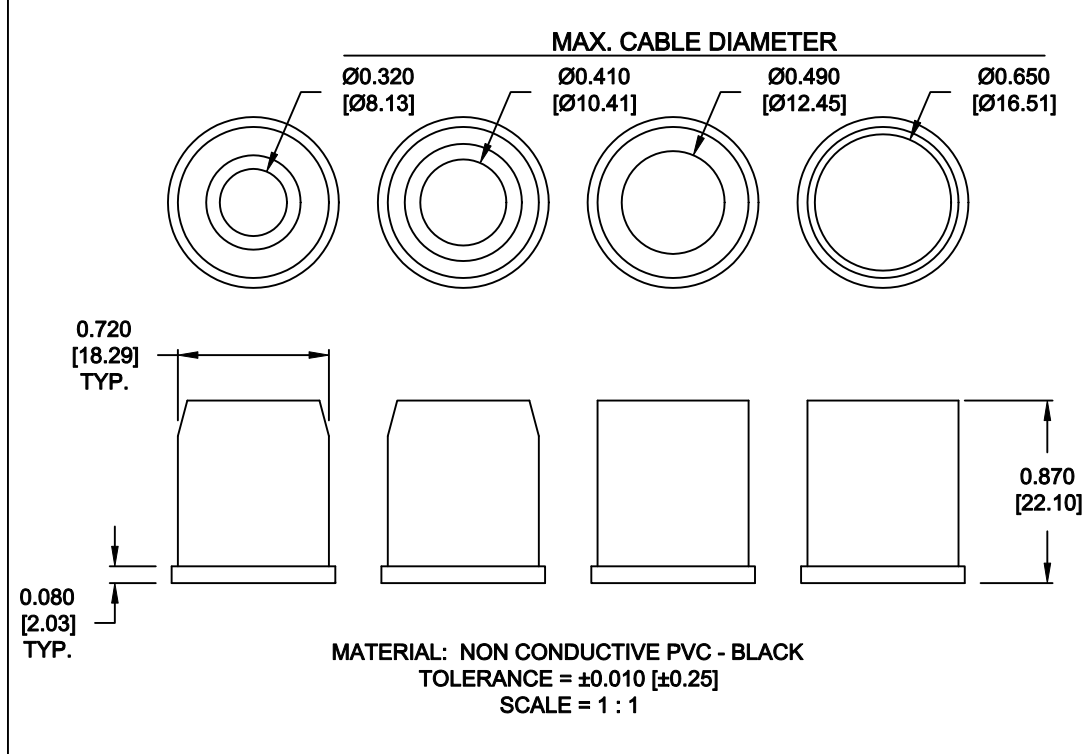


HOUSING SCREW

ALL HARDWARE:
MATERIAL = BRASS
PLATING = NICKEL
TOLERANCE = ±0.002 [±0.05]
SCALE = 2 : 1

DO NOT SCALE FROM DRAWING

RoHS COMPLIANT



MATING SCREWS

| | | | | |
|------------------|---|--------------------------------|----------------------------|--------------------------|
| | THESE DRAWINGS AND SPECIFICATIONS ARE THE PROPERTY OF NorComp AND SHALL NOT BE REPRODUCED, COPIED OR USED AS THE BASIS FOR THE MANUFACTURE OF SALE OF APPARATUS WITHOUT WRITTEN PERMISSION. | | DRAWN: C. SMITH | DATE: 04-20-10 |
| | | | CHECKED: | DATE: |
| <h1>NorComp</h1> | | SCALE: AS SHOWN | SHEET 2 OF 2 | REV 2 |
| | | DWG NO. 979-050-030R121 | | |