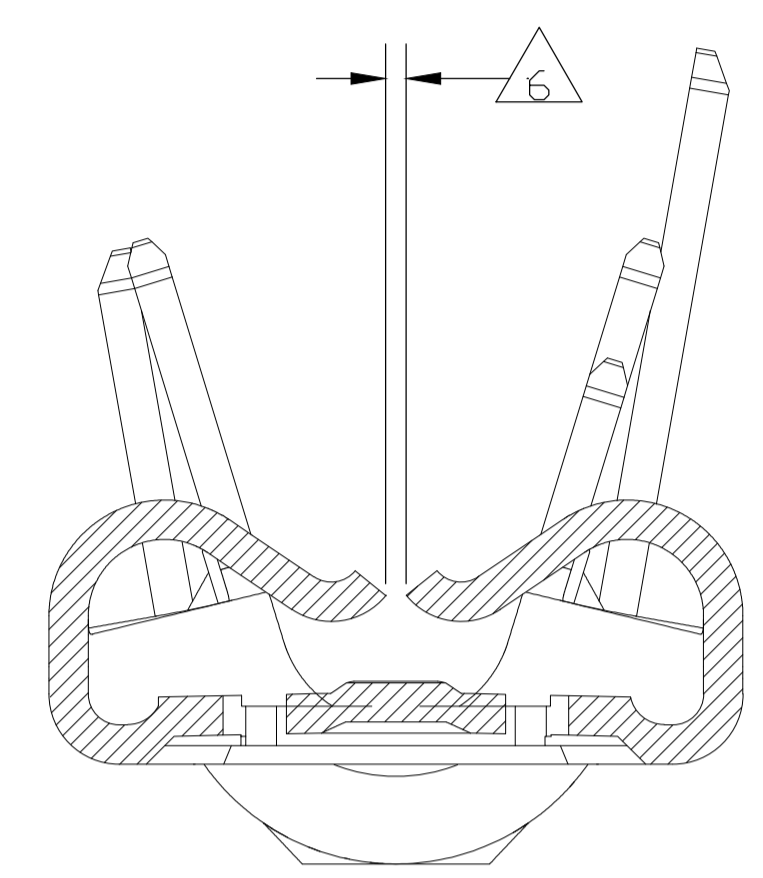
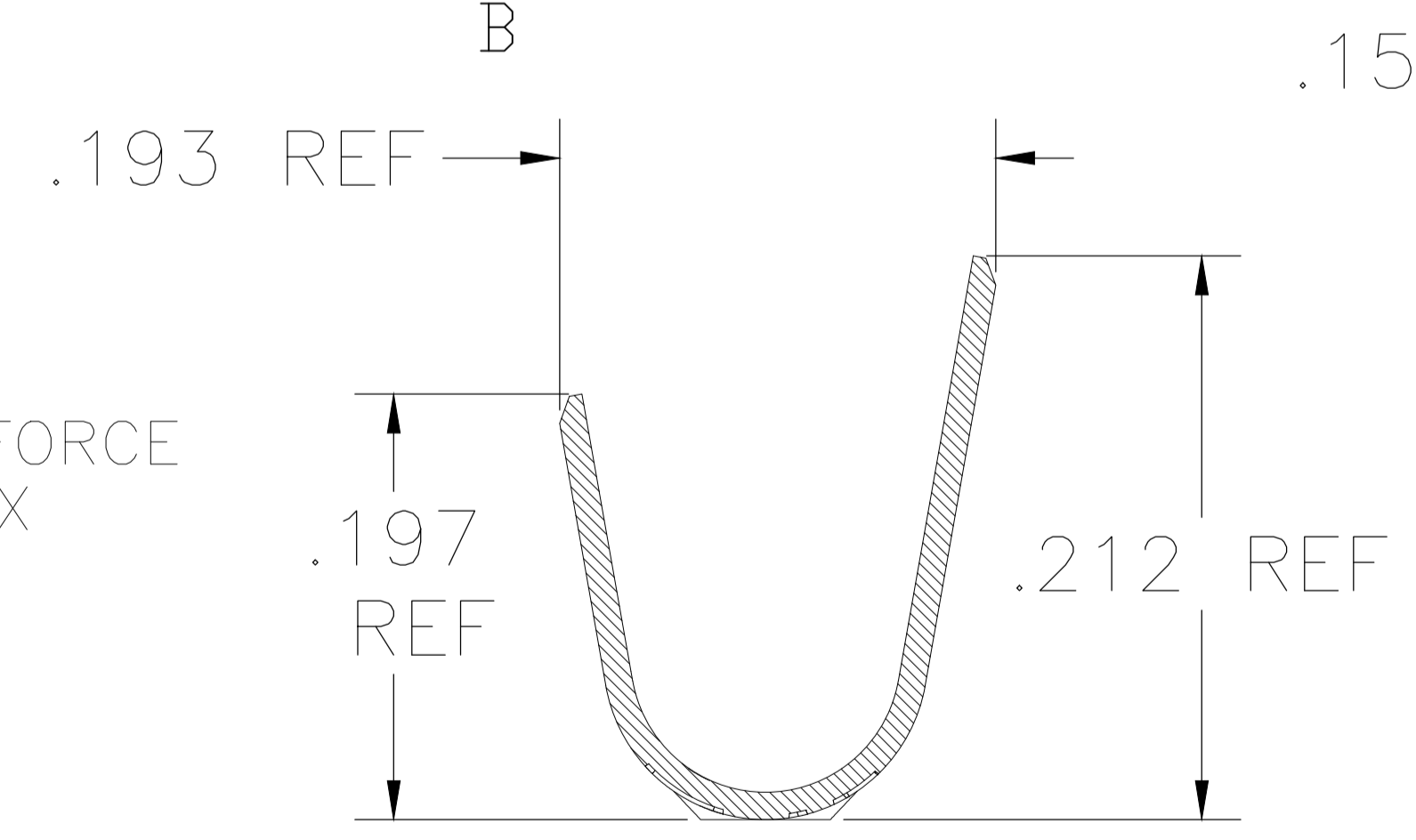
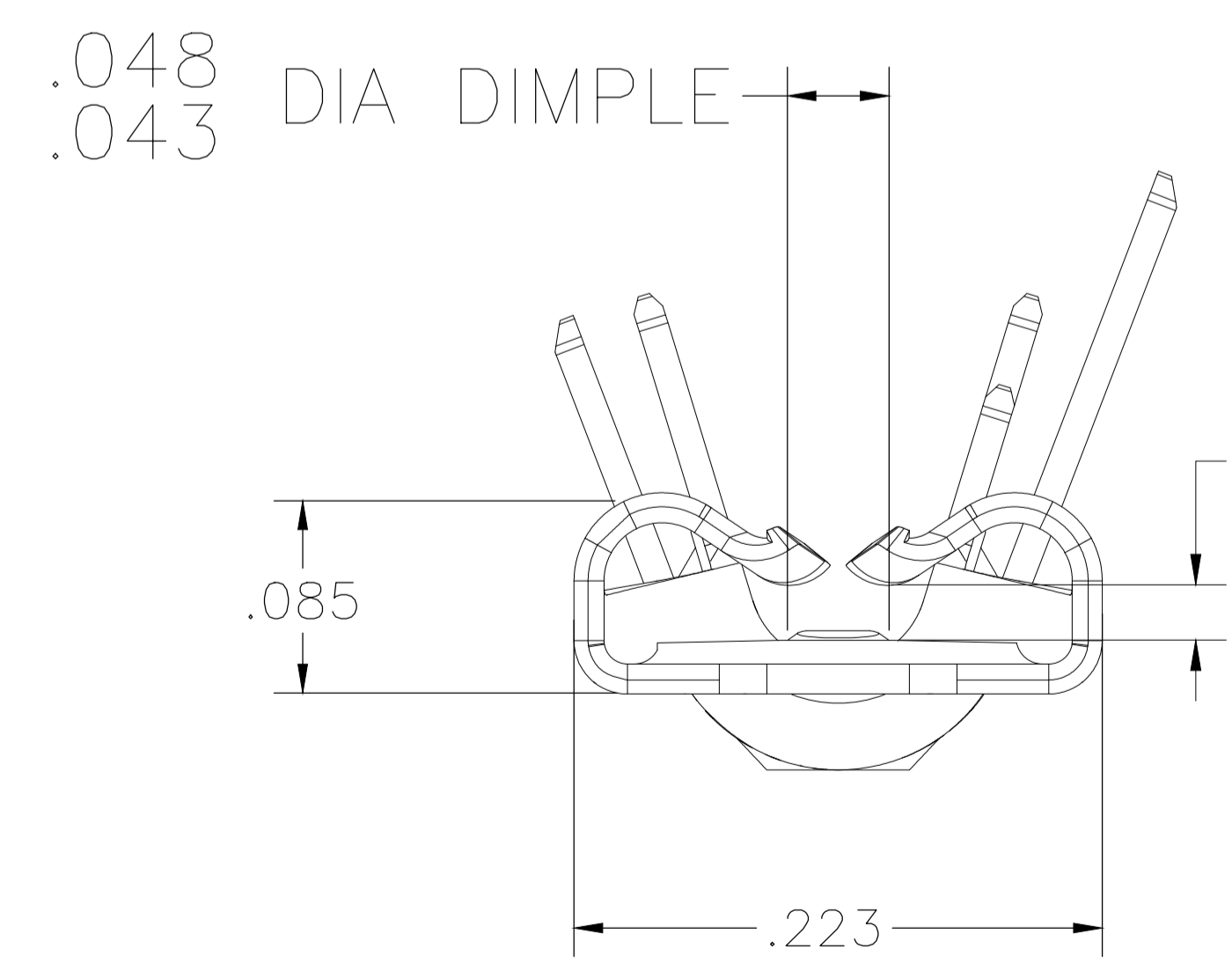
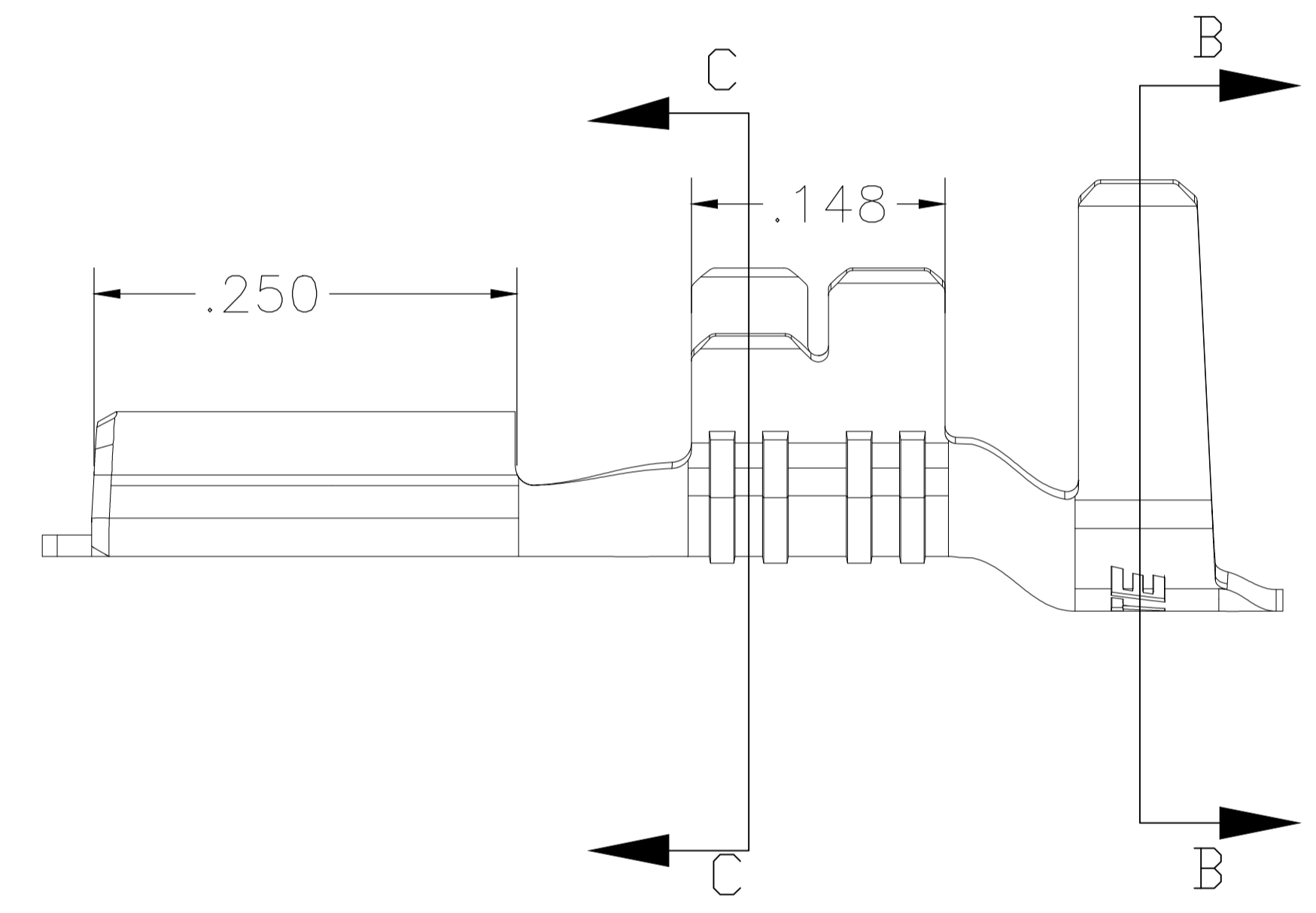
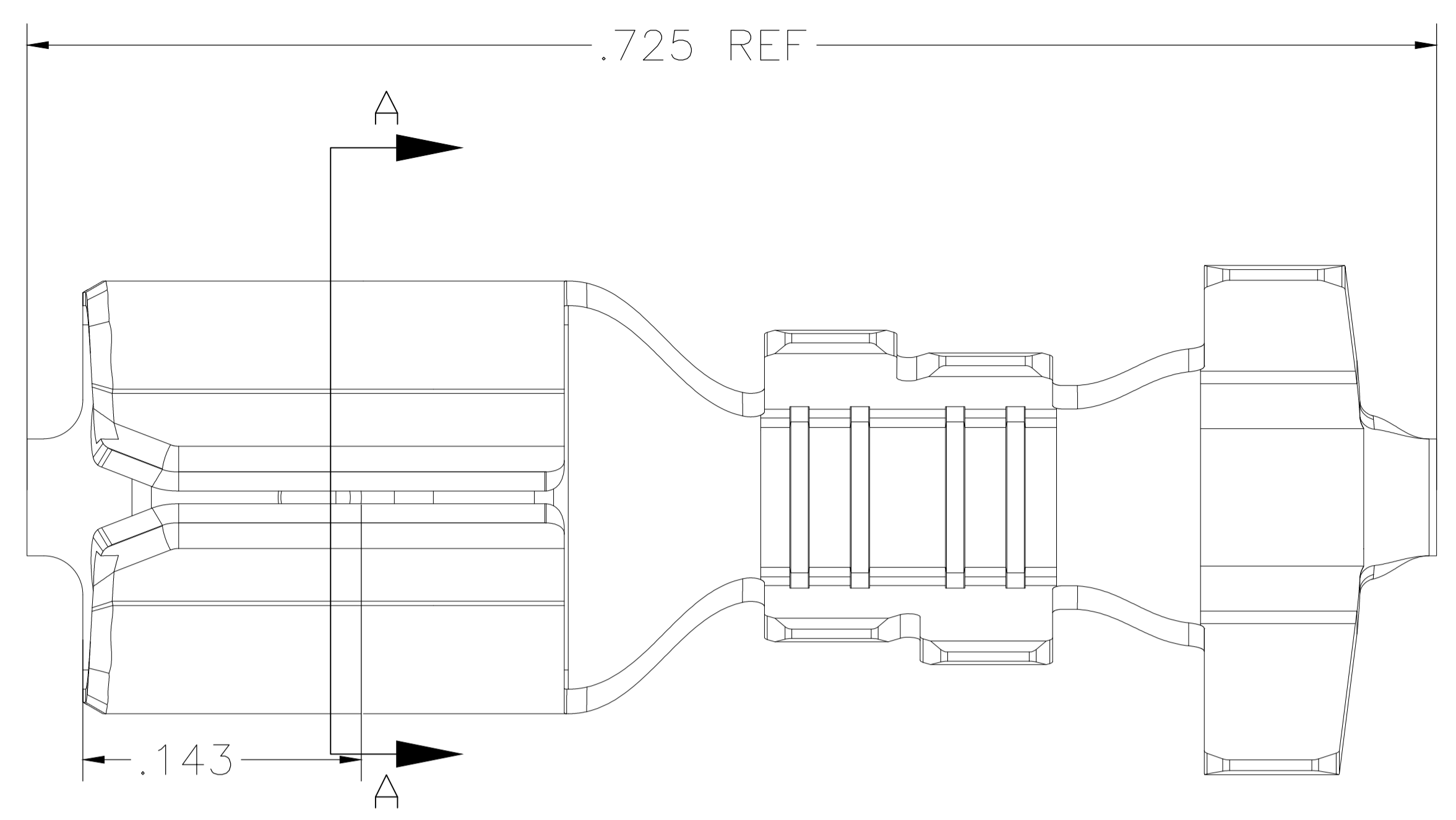


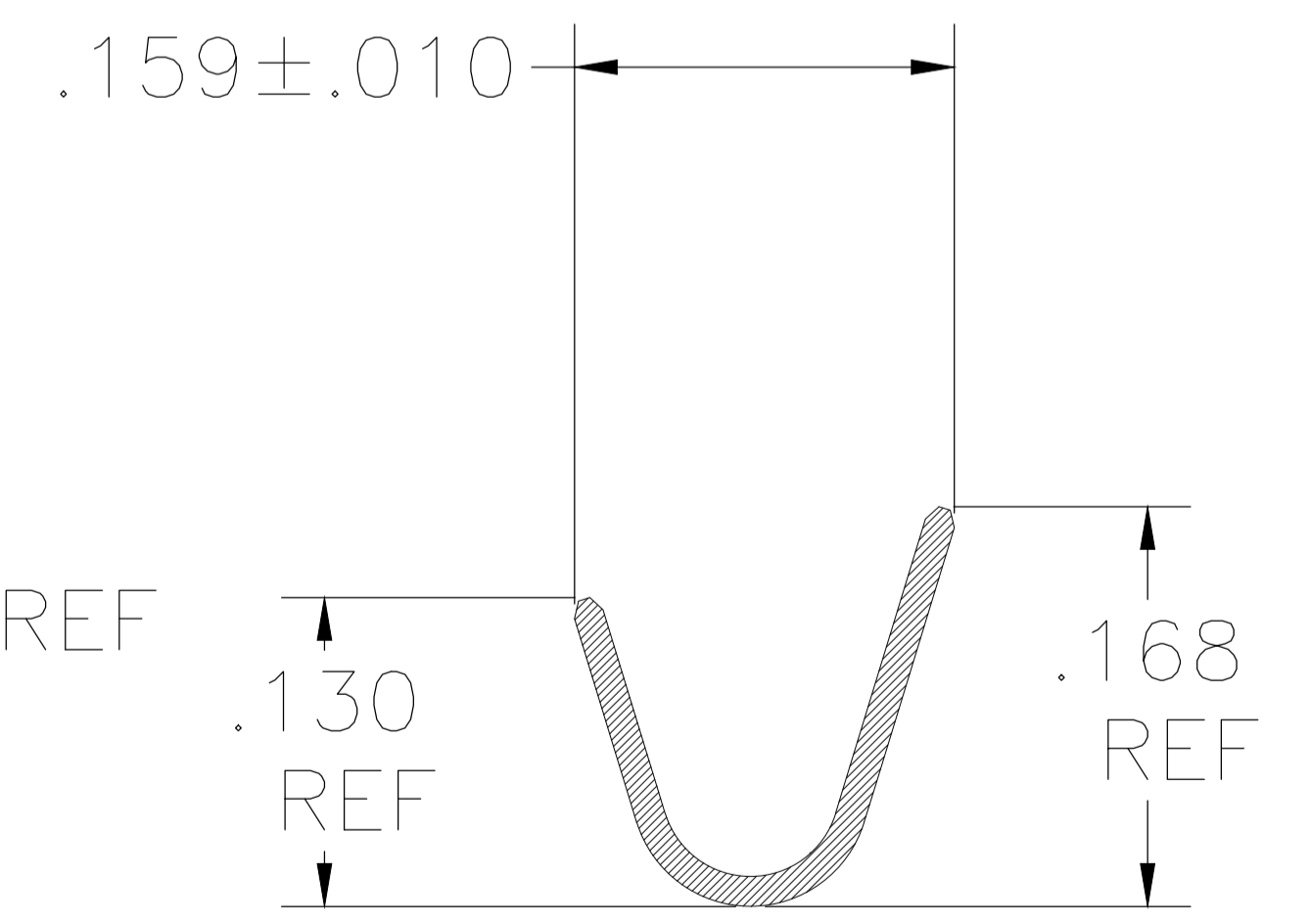
REVISIONS					
P	LTR	DESCRIPTION	DATE	DMN	APVD
A2		REVISED PER ECR-20-009164	16JUL2020	MK	DH



SECTION A-A



SECTION B-B



SECTION C-C

- 1 CONTINUOUS STRIP ON REELS.
- 2 WIRE SIZE IS 24-14 AWG
- 3 INSULATION RANGE IS [.067 - .149]
- 4 MATING TAB THK IS .033-.030
- 5 NOTE NOTE USED
- 6 CONTACT ROLLS TO NOT TOUCH EACH OTHER

OBSOLETED/SUPERSEDED BY 2238174-3		TIN PLATED	BRASS	2238174-3
		-TIN PLATED	BRASS	2238174-1
		FINISH	MATERIAL	PART NUMBER
THIS DRAWING IS A CONTROLLED DOCUMENT.		DMN	29DEC2016	
DIMENSIONS: INCHES		CHK	29DEC2016	
TOLERANCES UNLESS OTHERWISE SPECIFIED:		NAME	DAVID HUMPHREY	
0. PLC	± .01	APVD	TIM DING	
1. PLC	± .01	PRODUCT SPEC	-	
2. PLC	± .01	APPLICATION SPEC	-	
3. PLC	± .01	WEIGHT	-	
4. PLC	± .01	RESTRICTED TO	-	
ANGLES	± 1°	CUSTOMER DRAWING	-	
MATERIAL	FINISH	SIZE	CAGE CODE	DRAWING NO
-	-	A1	00779	2238174
		SCALE	10:1	SHEET 1 OF 1
		REV	A2	