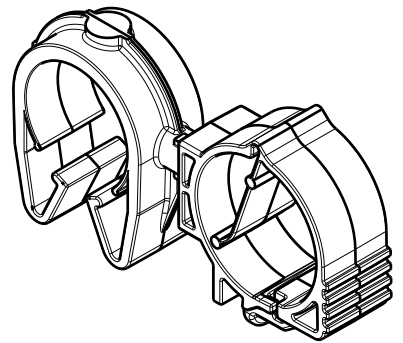
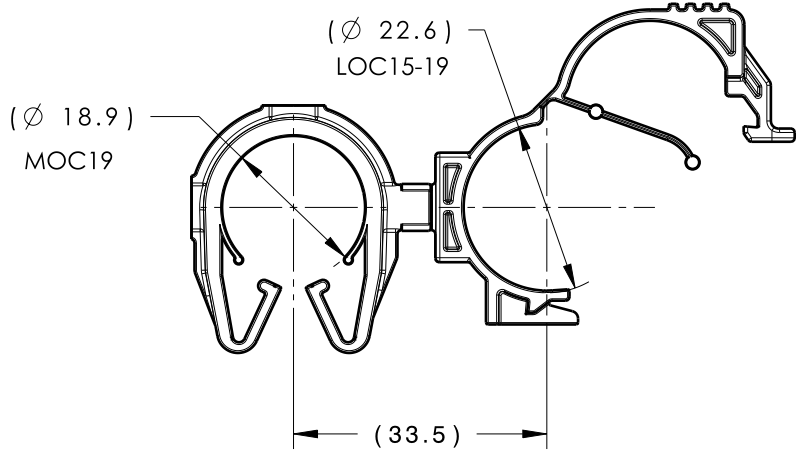
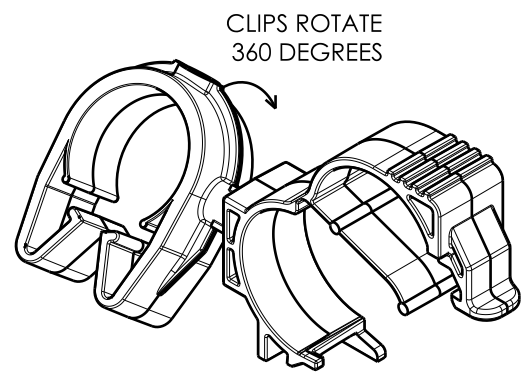


Revision Level			Revision Record	Changed	Date	Approved	Date
Drawing	State	Part					
01.1	Design Release	-	SEE ECN# 015045	TAT	4/3/2019	EJH	4/3/2019



ISOMETRIC VIEW CLOSED



CLIPS ROTATE 360 DEGREES

ISOMETRIC VIEW OPEN

TYPE	MOC19F
HARNESS	17.0MM-20.0MM
HOSE	17.0MM-20.0MM
HARD PIPE/TUBE	19.0MM-21.8MM

*RECOMMENDED SIZES MAY DIFFER DEPENDING ON THE APPLICATION , PRODUCT REQUIREMENTS AND MATERIALS USED

**PATENT PENDING 29/582,271



GLOBAL PART DESCRIPTION	MOC19**			LOC15-19		
	DRAWING	MATERIAL	COLOR	DRAWING	MATERIAL	COLOR
MOC19FLOC15-19-PA66HIRHSUV-BK	16-0322-000-CSU	PA66HIRHSUV	BLACK	12-0429-051-CSU	PA66HIRHSUV	BLACK

Material SEE CHART COLOR: SEE CHART	Units	millimeters	The copyright of this drawing is reserved by HellermannTyton. It is issued on condition that it is not reproduced, copied or disclosed to a third party, either wholly or in part, without the consent of HellermannTyton.	Drawn	TAT	6/20/17	Article/Type-No	MOC19FLOC15-19	Scale	1:1		
	Tolerance defined on each dimension	Approved		EJH	1/23/19	Title		19MM MOC COUPLED OT A 15-19MM LOC		Project Number	16-0327	
		HellermannTyton			Drawing-No		PRODUCTION : Phase		Format		AH	
							16-0327-193-CSU				Sheet	1/1

HellermannTyton
 North America
 Email: corp@htamericas.com
 Web: www.hellermann.tyton.com