

## Sealing cap - PROT-M12FS VPE1000 - 1409252

Please be informed that the data shown in this PDF Document is generated from our Online Catalog. Please find the complete data in the user's documentation. Our General Terms of Use for Downloads are valid (<http://phoenixcontact.com/download>)



M12 sealing cap for unoccupied M12 plugs of the sensor/actuator cable, flush-type plugs and I/O devices in the field

### Your advantages

- Sealing caps with external or inner thread
- Printed or unprinted marking labels

### Key Commercial Data

Packing unit	1000 pc
Minimum order quantity	1000 pc
GTIN	
GTIN	4046356865111

### Technical data

#### Ambient conditions

Ambient temperature (operation)	-40 °C ... 90 °C
---------------------------------	------------------

#### Material

Flammability rating according to UL 94	HB
Sealing material	NBR

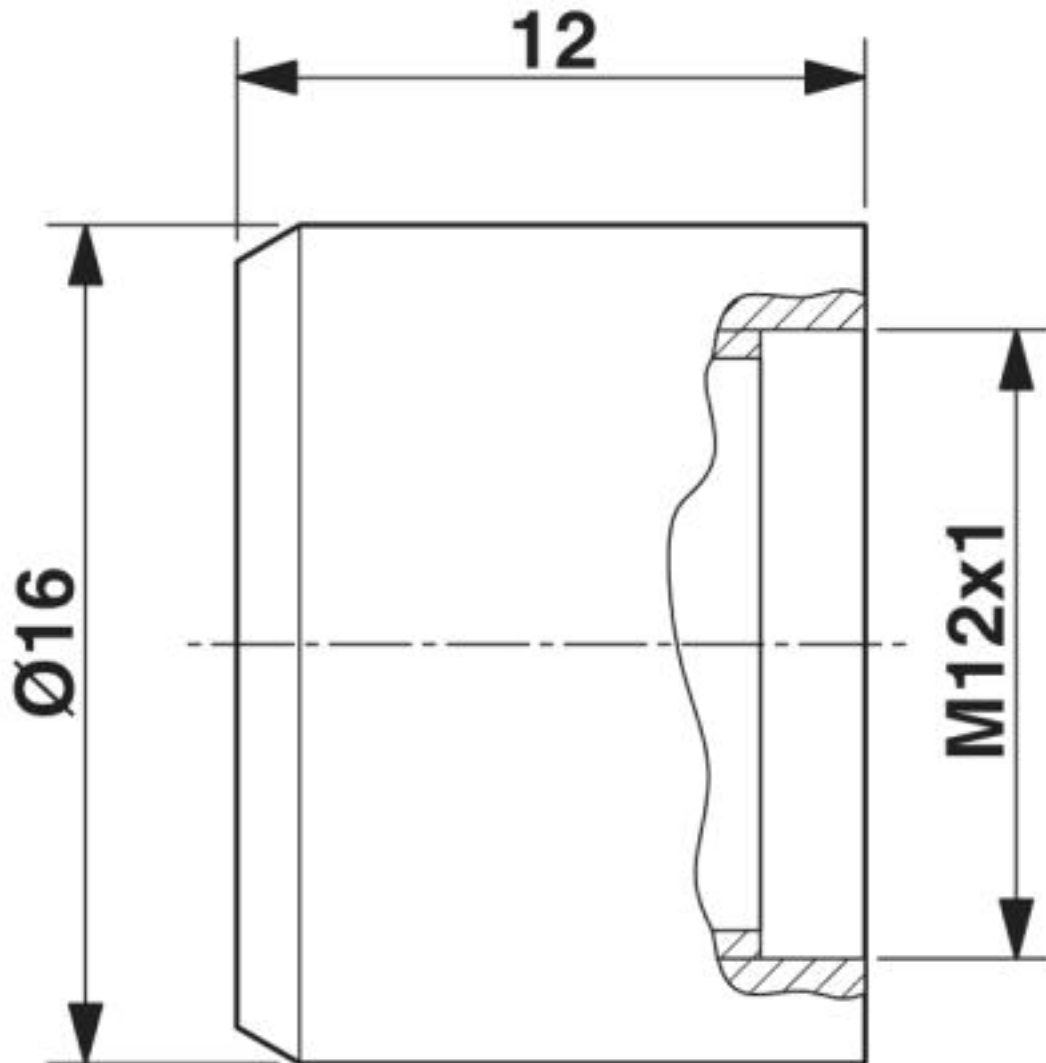
#### Standards and Regulations

Flammability rating according to UL 94	HB
--	----

### Drawings

## Sealing cap - PROT-M12FS VPE1000 - 1409252

Dimensional drawing



Phoenix Contact 2019 © - all rights reserved  
<http://www.phoenixcontact.com>

PHOENIX CONTACT GmbH & Co. KG  
Flachsmarktstr. 8  
32825 Blomberg  
Germany  
Tel. +49 5235 300  
Fax +49 5235 3 41200  
<http://www.phoenixcontact.com>