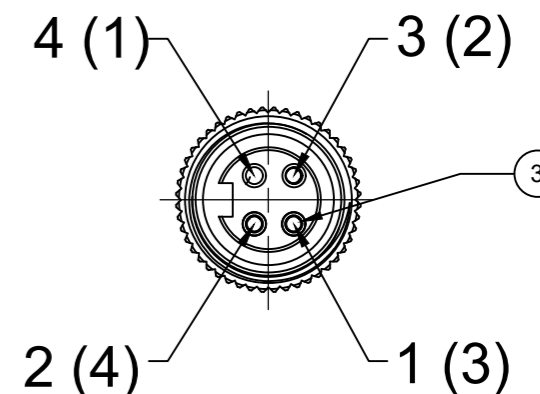
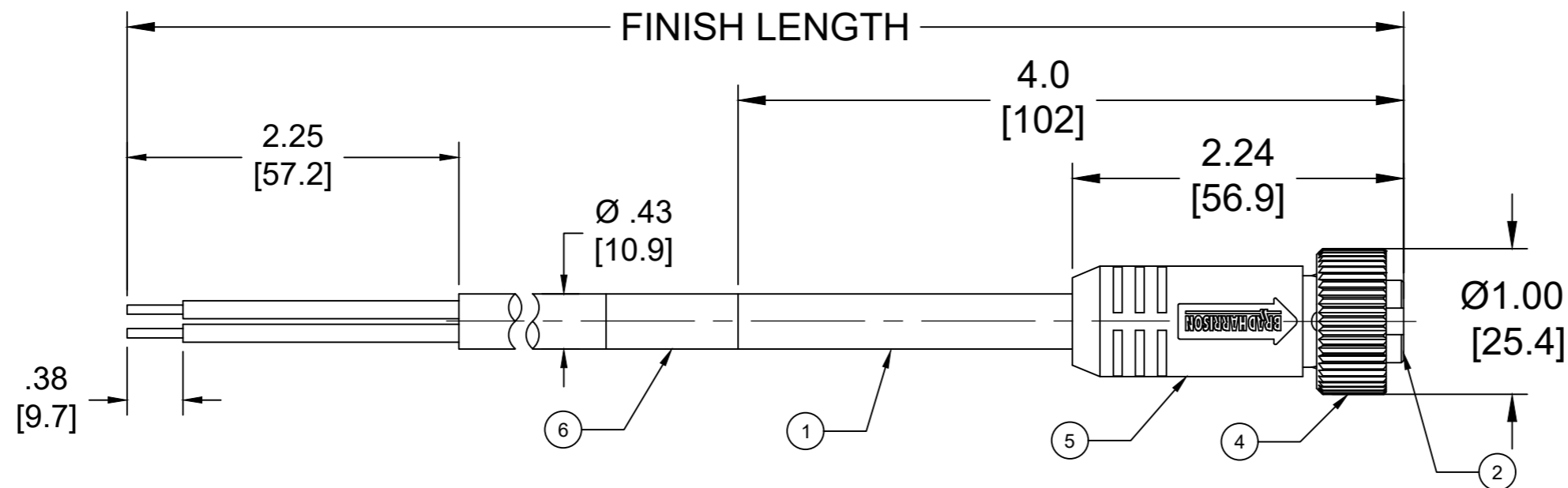


MATERIAL NUMBER	ENG. PART NO.	FINISHED LENGTH
1300062166	104000K12M020	2M
1300060895	104000K12M050	5M
1300060897	104000K12M100	10M
1300069044	104000K12M200	20M
1300069045	104000K12M300	30M



FEMALE FACE VIEW

CENELEC EN 50 044 PINOUT SHOWN  
(SAE-J-1738A SHOWN IN PARENTHESIS)

BLACK	4 (1)
BLUE	3 (2)
BROWN	1 (3)
WHITE	2 (4)

- NOTES:
1. MATERIAL: AS NOTED
  2. FINISH: AS NOTED
  3. ELECTRICAL:  
VOLTAGE: 320V PER IEC60664  
600V PER UL2238  
CURRENT: 10A
  4. TEMP RATING: -20° TO +90°C
  5. PROTECTION: IP67 (WHEN MATED)
  6. COUPLING THREAD: 7/8-16UN
  7. ALL DIMS ARE FOR REFERENCE UNLESS NOTED OTHERWISE

104000K12M200

cable type  
16AWG-4  
FLEX TPE

cable length  
005 = 0.5 Meters  
010 = 1 Meter  
100 = 10Meters

MECHANICAL CHARACTERISTICS:

TORSIONAL FLEX TEST	20 MILLION CYCLES PER MIL-C-13777G
BEND FLEX TEST	20 MILLION CYCLES PER MIL-C-13777G
WELD SLAG RESISTANCE	WOODHEAD STANDARD S-300

CABLE LENGTH TOLERANCES

<.3M [1FT]: +19mm-0 [+0.75in-0]
.3 - .9M [1 - 3FT]: +44.5mm-0 [+1.75in-0]
.9 - 1.8M [3 - 6FT]: +55.6mm-0 [+2.19in-0]
1.8 - 3.7M [6 - 12FT]: +88.9mm-0 [+3.50in-0]
3.7 - 7.3M [12 - 24FT]: +165.1mm-0 [+6.50in-0]
7.3-14.6M [24 - 48FT]: +317.5mm-0 [+12.50in-0]
14.6 - 30.5M [48-100FT]: +622.3mm-0 [+24.50in-0]
OVER 30M [100FT] +2% OF FINISHED LENGTH

ITEM	DESCRIPTION	MATERIAL	FINISH
6	WRAP LABEL	VINYL	BLACK/YELLOW
5	OVERMOLD	TPE	YELLOW
4	COUPLING NUT	ZINC DIE-CAST	BLACK
3	CONTACT SOCKET	COPPER ALLOY	GOLD PLATED
2	FEMALE INSERT	TPE	YELLOW
1	CABLE, 16/4,600C, 90°C	TPE JACKET	YELLOW

FUNCTIONAL SYMBOLS		THIS DRAWING CONTAINS INFORMATION THAT IS PROPRIETARY TO MOLEX ELECTRONIC TECHNOLOGIES, LLC AND SHOULD NOT BE USED WITHOUT WRITTEN PERMISSION	
▽=0	▽=0	DIMENSION UNITS	SCALE
▽=0	▽=0	INCH/MM	NTS
DIVISIONAL SYMBOLS		CURRENT REV DESC: UPDATED AMPERAGE AND TEMPLATE	
4 PLACES ±----		GENERAL TOLERANCES (UNLESS SPECIFIED)	
3 PLACES ±----		mm INCH	
2 PLACES ±----		EC NO: 646474	
1 PLACE ±----		DRWN: ALEON01 2020/10/14	
0 PLACES ±----		CHK'D: CCHRSTKA 2020/10/19	
ANGULAR TOL ± ---- °		APPR: BWOODMAN 2020/10/21	
DRAFT WHERE APPLICABLE MUST REMAIN WITHIN DIMENSIONS		INITIAL REVISION:	
THIRD ANGLE PROJECTION		DRWN: GGUSTAFS 2013/10/04	
DRAWING		APPR: BWOODMAN 2013/11/12	
SERIES		DOCUMENT NUMBER	
B-SIZE 130006		SD-130006-062	
MATERIAL NUMBER		DOC TYPE/DOC PART/REVISION	
SEE CHART		PSD 001 D	
CUSTOMER		SHEET NUMBER	
GENERAL MARKET		1 OF 1	

**molex**

MINI CHANGE  
4 POLE FEMALE STR 16 AWG AWG TPE

PRODUCT CUSTOMER DRAWING