

NOTES :

1- MATERIAL:

-HOUSING: LCP FIBER GLASS FILLED UL 94-V0, COLOR BLACK.

-TERMINAL: PHOSPHOR BRONZE

PLATING :

BASE FINISH: NICKEL

CONTACT SURFACE FINISH:

GOLD,

OR

GOLD FLASH OVER PALLADIUM NICKEL.

EXCEEDS PRODUCT REQUIREMENTS BASED ON PS-85506-001

2- JACK FOR MATING WITH IEC 60603-7 AND TIA-1096-A (90075 MOLEX SERIES).

3- PRODUCT SPECIFICATION PS-85506-001

4- PACKAGING SPECIFICATION PK-95022 (TRAY PACKAGING).

5- EXCEEDS CATEGORY 5E PERFORMANCE.

6- PC BOARD THICKNESS: 1.57

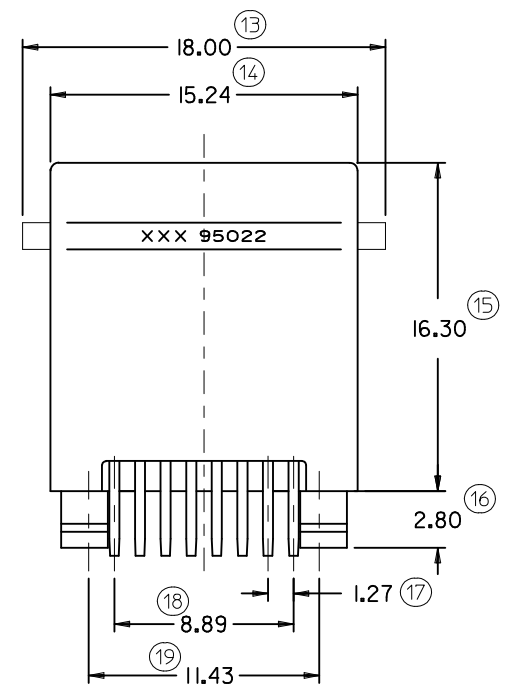
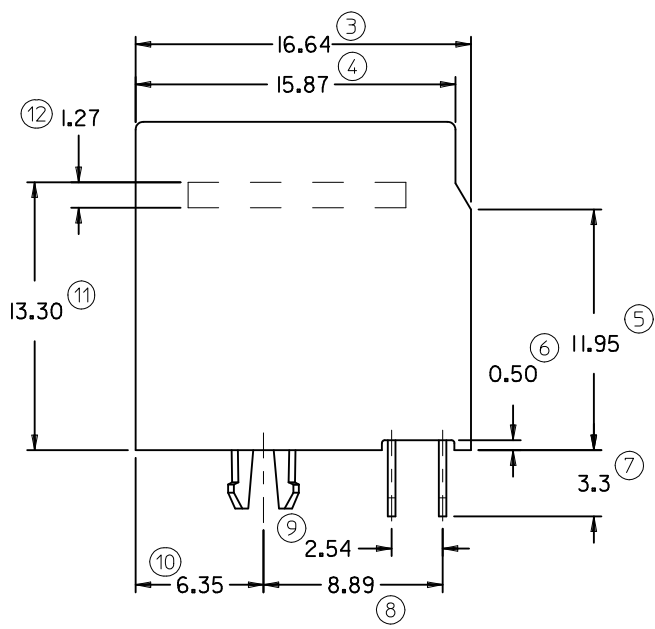
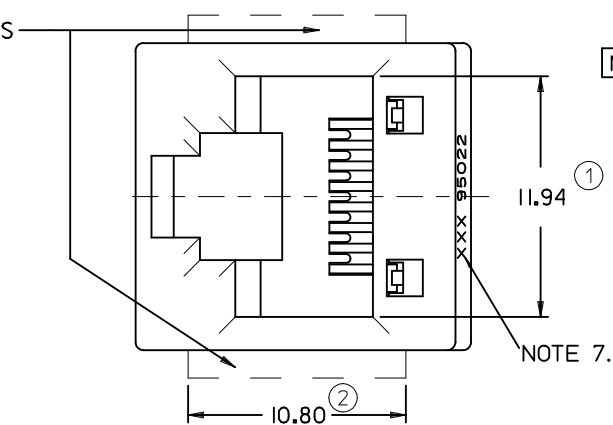
7- MANUFACTURING I.D. CAN BE MG, MXF OR MXI.

8- APPLICATION SPECIFICATION: AS-85513-001

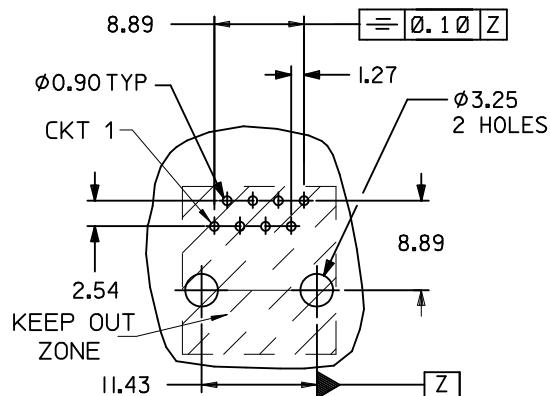
LAST INSPECTION NUMBER: 19

	JACK WITH RIBS	JACK WITHOUT RIBS
MATERIAL No.	85506-5001	85506-5002

OPTIONAL RIBS



P.C.B. MOUNTING PATTERN
(see from component side)
ALL DIMENSIONS REF DIMENSIONS



SCALE 2:1

REMOVED PLATING OPTION EC NO: IPG2012-0620 DRWING: DBYRNES 2012/04/03 CHKD: MSHAHN 2012/04/17 APPR: EFOLAN 2012/06/28	QUALITY SYMBOLS	GENERAL TOLERANCES (UNLESS SPECIFIED)	DIMENSION STYLE	SCALE	DESIGN UNITS	THIRD ANGLE PROJECTION	
	▽=0 ∇=0	mm INCH	MM ONLY	4:1	METRIC	⊙ □	
		4 PLACES ± --- ± --- 3 PLACES ± --- ± --- 2 PLACES ± 0.15 ± --- 1 PLACE ± 0.25 ± ---	DRAWN BY DATE FB 98/02/25	TITLE	HIGH SPEED MODULAR JACK HIGH PROFILE TOP ENTRY THROUGH HOLE 8 CIRCUIT		
		ANGULAR ± 2 °	CHECKED BY DATE MF 1998/02/26	MOLEX INCORPORATED			

DRAFT WHERE APPLICABLE MUST REMAIN WITHIN DIMENSIONS	MATERIAL NO. SEE CHART	DOCUMENT NO. SD-85506-501	SHEET NO. 1 OF 1
--	---------------------------	------------------------------	---------------------

DRAWN BY DATE FB 98/02/25		TITLE	
CHECKED BY DATE MF 1998/02/26		HIGH SPEED MODULAR JACK HIGH PROFILE TOP ENTRY THROUGH HOLE 8 CIRCUIT	
APPROVED BY DATE FB 1998/02/28		MOLEX INCORPORATED	
MATERIAL NO. SEE CHART		DOCUMENT NO. SD-85506-501	
SHEET NO. 1 OF 1			

THIS DRAWING CONTAINS INFORMATION THAT IS PROPRIETARY TO MOLEX INCORPORATED AND SHOULD NOT BE USED WITHOUT WRITTEN PERMISSION