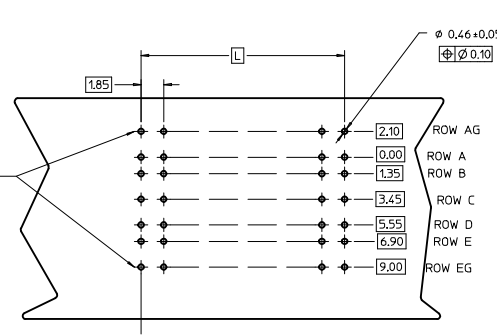


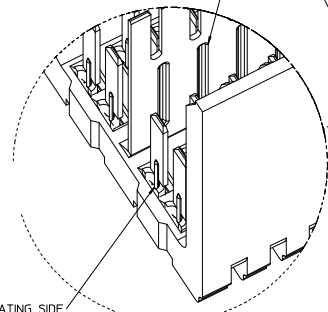
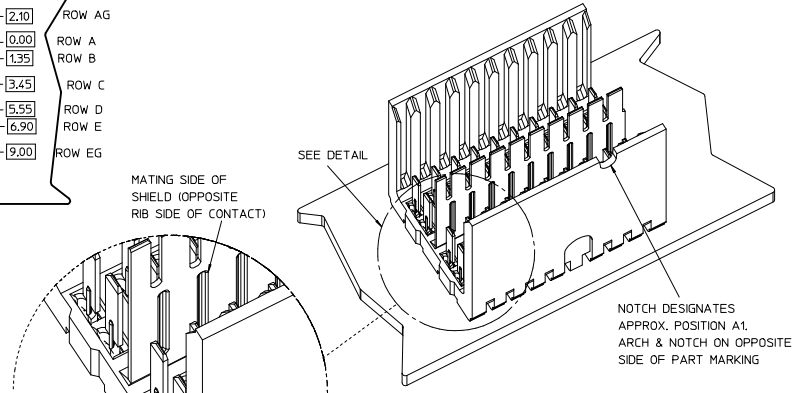
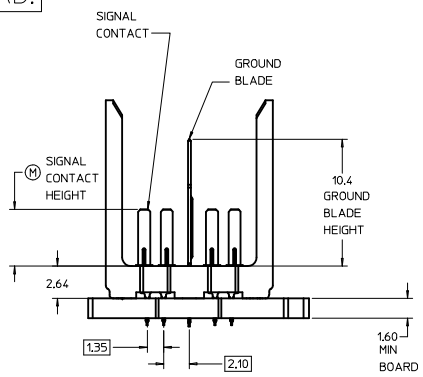
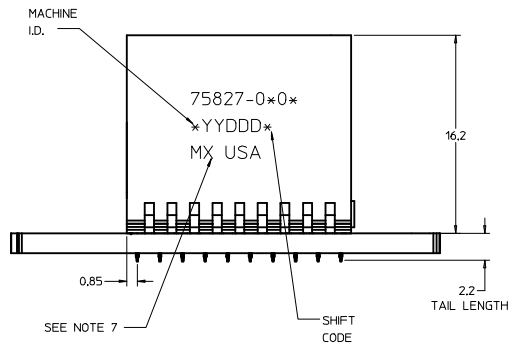
ROWS AG & EG RECOMMENDED FOR ALL APPLICATIONS. THESE ROWS SHOULD BE CONNECTED TO GROUND.



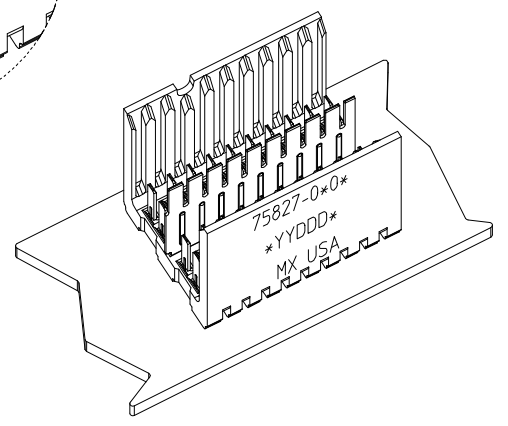
PLATED THRU HOLE (Ø0.57 DRILL) (Ø0.88 PAD)

BACKPLANE HOLE PATTERN (COMPONENT SIDE 10-POSITION SHOWN)

THE PRIMARY CARTON WITH A LABEL STATING "ELV AND RoHS COMPLIANT" IS LEAD FREE. CARTONS WITHOUT THIS LABEL MAY CONTAIN LEAD.



DETAIL SCALE 10:1



LEAD-FREE PLATING

- NOTES:
1. MATERIAL: HOUSING - LIQUID CRYSTAL POLYMER (LCP) GLASS-FILLED, UL 94V-0, COLOR - GRAY. SIGNAL CONTACT AND GROUND BLADE - HIGH PERFORMANCE COPPER ALLOY.
 2. FINISHES: SELECTIVE GOLD (Au) ON CONTACT AREA, SELECTIVE MATTE TIN (Sn) ON PCB TAILS, NICKEL (Ni) OVERALL.
 3. THIS PART CONFORMS TO MOLEX PRODUCT SPECIFICATION PS-75221-999.
 4. FOR MIXED CONTACT MATING LENGTHS CONSULT MOLEX FOR AVAILABILITY. CONTACT PAIRS MUST BE THE SAME LENGTH.
 5. FOR SPECIFIC PART NUMBER AND MATING INFORMATION PLEASE REFER TO CHART.
 6. PACKAGE PER PK-70873-5058.
 7. EITHER MARK PART NUMBER AND DATE CODE APPROXIMATELY WHERE SHOWN OR PLACE A LABEL ON THE TUBE.
 8. THESE PARTS CONFORM TO MOLEX COSMETIC SPECIFICATION PS-45499-002 CLASS B.
 9. MAPS (MOLEX ADVANCED PLATING SYSTEM).

75827-***x*0***
 COLUMN
 01 = 10 COL
 02 = 25 COL
 05 = 5 COL
 KEYING
 ORIENTATION
 OPEN = 0 (NONE)

PIN LENGTH DIM *M*	GOLD (Au) THICKNESS micrometers
0=3.55 mm	0.25 (MAPS)
1=4.55 mm	
2=5.55 mm	
3=3.55 mm	0.76
4=4.55 mm	
5=5.55 mm	
7=3.55 mm	1.27
8=4.55 mm	
9=5.55 mm	

ASSY PART NO.	K	L	P	TOTAL NO. OF DIFFERENTIAL PAIRS
75827-050*	4	7.40	9.10	10
75827-010*	9	16.65	18.35	20
75827-020*	24	44.40	46.10	50

REV TO LEADFREE EC NO: UCP2013-0690 DRAWN/MOLEX 2012/08/17 CHYKOSWANG 2012/08/17 APPROV/SCHILLER 2012/12/05	QUALITY SYMBOLS	GENERAL TOLERANCES (UNLESS SPECIFIED)	DIMENSION STYLE	SCALE	DESIGN UNITS	THIRD ANGLE PROJECTION
	▽=0	4 PLACES ±	MM ONLY	5:1	METRIC	
	▽=0	3 PLACES ±	INCH			
	▽=0	2 PLACES ±				
		1 PLACE ±				
		0 PLACE ±				
		ANGULAR ±1/2°				
		DRAFT WHERE APPLICABLE MUST REMAIN WITHIN DIMENSIONS				
			DRAWN BY	DATE	TITLE	
			NMARTIN	2005/06/28	GBX 2-PAIR, LF OPEN END BACKPLANE SALES ASSEMBLY	
			CHECKED BY	DATE		
			JMYCZEK	2005/06/28		
			APPROVED BY	DATE		
			SREED	2005/06/28		
			MATERIAL NO.	DOCUMENT NO.		
			SEE TABLE	SD-75827-010		
			THIS DRAWING CONTAINS INFORMATION THAT IS PROPRIETARY TO MOLEX INCORPORATED AND SHOULD NOT BE USED WITHOUT WRITTEN PERMISSION			SHEET NO.
						1 OF 1