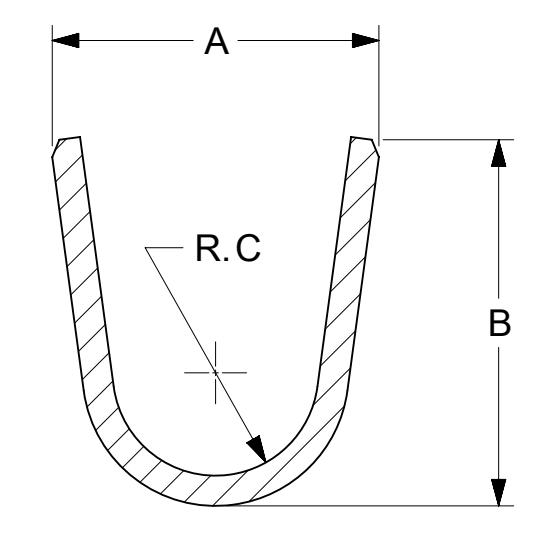
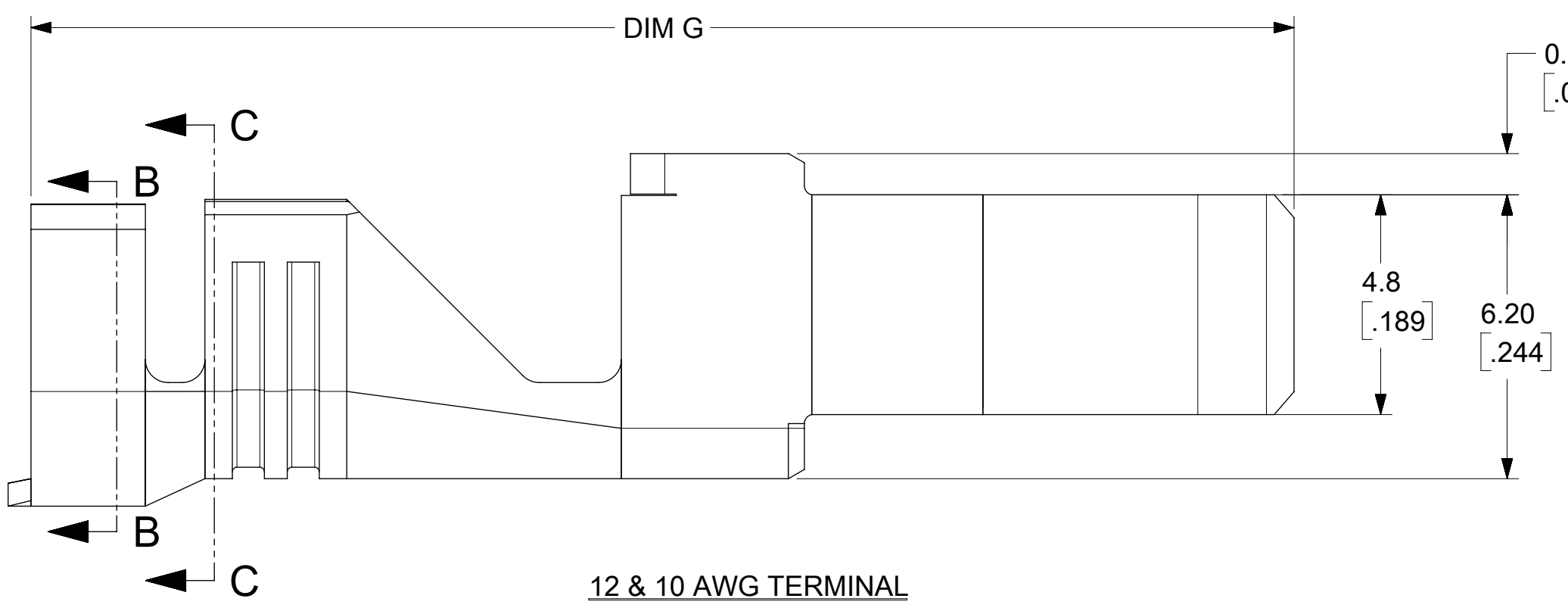


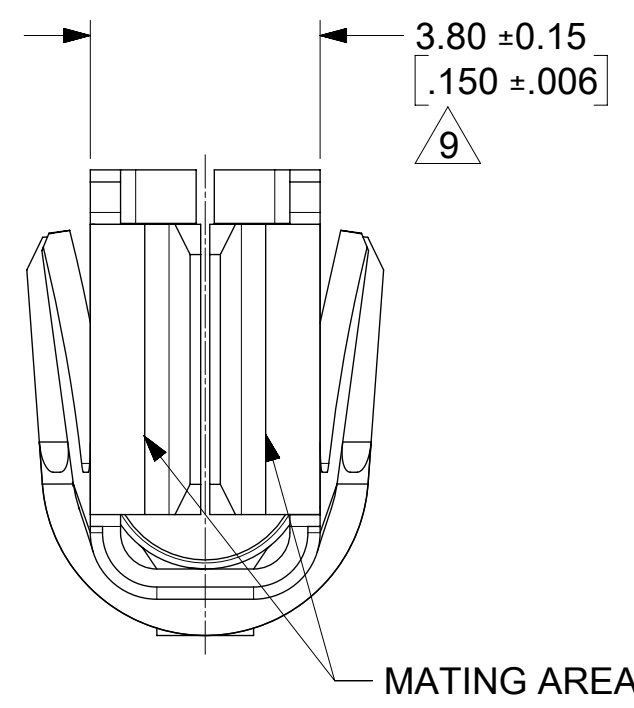
SECTION B-B



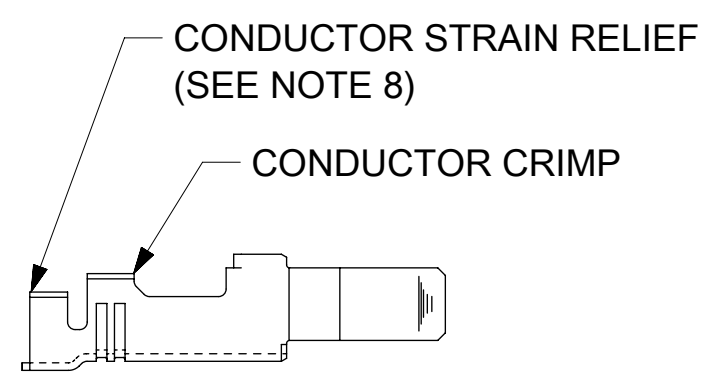
SECTION C-C
(BACKGROUND OMITTED)



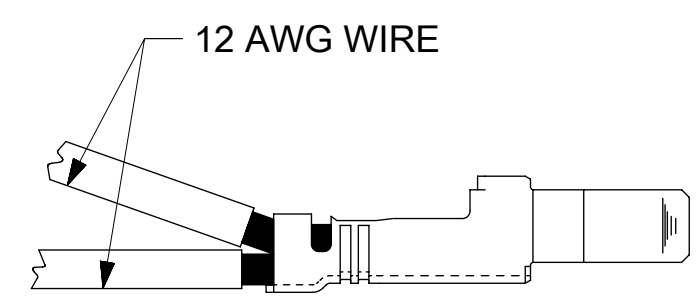
12 & 10 AWG TERMINAL



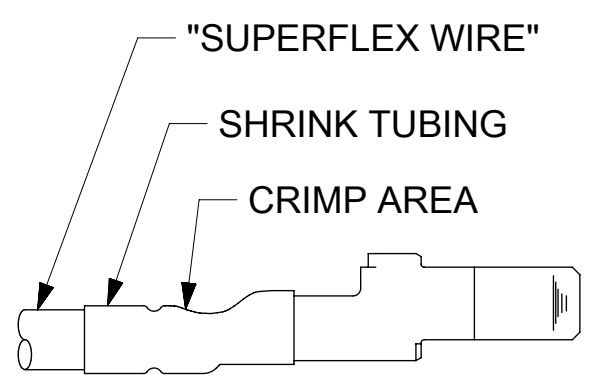
MATING AREA



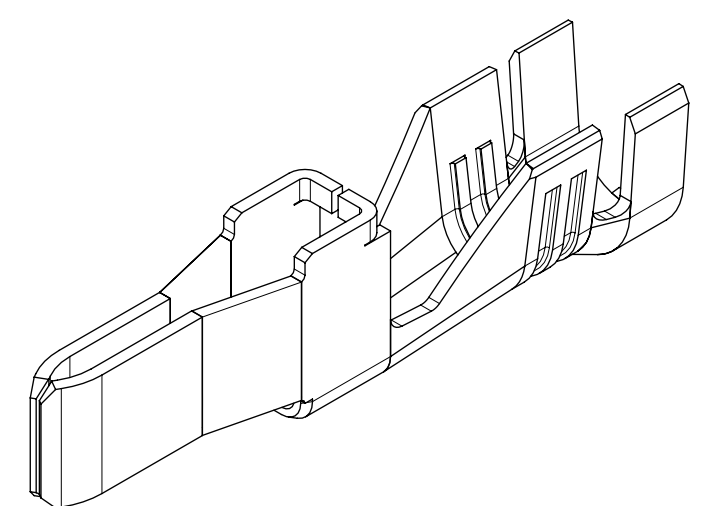
8 AWG TERMINAL
(SEE NOTE 8)



8 AWG TERMINAL
12 AWG DOUBLE CRIMP
(SEE NOTE 13)



8 AWG TERMINAL
(SEE NOTE 11)



ISOMETRIC VIEW
(SCALE 4:1)

THIS DRAWING CONTAINS INFORMATION THAT IS PROPRIETARY TO MOLEX ELECTRONIC TECHNOLOGIES, LLC AND SHOULD NOT BE USED WITHOUT WRITTEN PERMISSION									
DIMENSION UNITS		SCALE		CURRENT REV DESC:					
MM/IN		8:1							
GENERAL TOLERANCES (UNLESS SPECIFIED)				EC NO: 703014					
		MM	INCH	DRWN: SHRUTJ		2022/04/12			
4 PLACES		±	±	CHK'D: SHRUTJ		2022/04/12			
3 PLACES		±	± 0.01	APPR: ISHWARG		2022/04/12			
2 PLACES		± 0.25	± 0.016	INITIAL REVISION:					
1 PLACE		± 0.4	±	DRWN: RJF		1992/07/01			
0 PLACES		±	±	APPR: RAS		1992/07/01			
ANGULAR TOL		± 0.5 °		THIRD ANGLE PROJECTION		DRAWING		SERIES	
DRAFT WHERE APPLICABLE MUST REMAIN WITHIN DIMENSIONS				C-SIZE		42817		MATERIAL NUMBER	
								CUSTOMER	
								SHEET NUMBER	
								1 OF 2	

molex

MALE CRIMP TERMINAL, 12, 10 & 8AWG
MINI-FIT SR.

PRODUCT CUSTOMER DRAWING

DOCUMENT NUMBER	DOC TYPE	DOC PART	REVISION
428170000-SD	PSD	000	A2

THIS DOCUMENT HAS BEEN RE-ISSUED BASED ON SD-42817-*, REV J.

DOCUMENT STATUS	P1	RELEASE DATE	2022/04/12	10:32:37
-----------------	----	--------------	------------	----------

ITEM NUMBER	WIRE RANGE	DIM. A	DIM. B	DIM. C	DIM. D	DIM. E	DIM. F	DIM. G	MAX. INSULATION DIAMETER	PLATING	STATUS
428170011	12 & 10 AWG (5 & 6mm ²)	5.40±.60 [.213±.024]	6.10±.40 [.240±.016]	R 1.70 [.067]	5.90±.60 [.232±.024]	6.60±.40 [.260±.016]	R. 2.20 [.087]	27.60 [1.087]	5.30 DIA. [.209]	OVERALL TIN	PLANNED FOR OBSOLESCENCE
428170031	8 AWG	5.83±.60 [.229±.024]	7.42±.40 [.292±.016]	R 1.70 [.067]	6.00±.60 [.236±.024]	5.50±.40 [.216±.016]	R. 2.20 [.087]	27.60 [1.087]	6.60 DIA. [.260]		
428170111	12 & 10 AWG (5 & 6mm ²)	5.40±.60 [.213±.024]	6.10±.40 [.240±.016]	R 1.70 [.067]	5.90±.60 [.232±.024]	6.60±.40 [.260±.016]	R. 2.20 [.087]	29.60 [1.165]	5.30 DIA. [.209]		
428170131	8 AWG	5.83±.60 [.229±.024]	7.42±.40 [.292±.016]	R 1.70 [.067]	6.00±.60 [.236±.024]	5.50±.40 [.216±.016]	R. 2.20 [.087]	29.60 [1.165]	6.60 DIA. [.260]	SELECT GOLD	ACTIVE
428170012	12 & 10 AWG (5 & 6mm ²)	5.40±.60 [.213±.024]	6.10±.40 [.240±.016]	R 1.70 [.067]	5.90±.60 [.232±.024]	6.60±.40 [.260±.016]	R. 2.20 [.087]	27.60 [1.087]	5.30 DIA. [.209]		
428170032	8 AWG	5.83±.60 [.229±.024]	7.42±.40 [.292±.016]	R 1.70 [.067]	6.00±.60 [.236±.024]	5.50±.40 [.216±.016]	R. 2.20 [.087]	27.60 [1.087]	6.60 DIA. [.260]		
428170112	12 & 10 AWG (5 & 6mm ²)	5.40±.60 [.213±.024]	6.10±.40 [.240±.016]	R 1.70 [.067]	5.90±.60 [.232±.024]	6.60±.40 [.260±.016]	R. 2.20 [.087]	29.60 [1.165]	5.30 DIA. [.209]	SELECT SILVER	ACTIVE
428170132	8 AWG	5.83±.60 [.229±.024]	7.42±.40 [.292±.016]	R 1.70 [.067]	6.00±.60 [.236±.024]	5.50±.40 [.216±.016]	R. 2.20 [.087]	29.60 [1.165]	6.60 DIA. [.260]		
428171014	12 & 10 AWG (5 & 6mm ²)	5.40±.60 [.213±.024]	6.10±.40 [.240±.016]	R 1.70 [.067]	5.90±.60 [.232±.024]	6.60±.40 [.260±.016]	R. 2.20 [.087]	27.60 [1.087]	5.30 DIA. [.209]		
428171034	8 AWG	5.83±.60 [.229±.024]	7.42±.40 [.292±.016]	R 1.70 [.067]	6.00±.60 [.236±.024]	5.50±.40 [.216±.016]	R. 2.20 [.087]	27.60 [1.087]	6.60 DIA. [.260]	SELECT SILVER	ACTIVE
428171114	12 & 10 AWG (5 & 6mm ²)	5.40±.60 [.213±.024]	6.10±.40 [.240±.016]	R 1.70 [.067]	5.90±.60 [.232±.024]	6.60±.40 [.260±.016]	R. 2.20 [.087]	29.60 [1.165]	5.30 DIA. [.209]		
428171134	8 AWG	5.83±.60 [.229±.024]	7.42±.40 [.292±.016]	R 1.70 [.067]	6.00±.60 [.236±.024]	5.50±.40 [.216±.016]	R. 2.20 [.087]	29.60 [1.165]	6.60 DIA. [.260]		

NOTES:

- MATERIAL: COPPER ALLOY 151, .020/(.50) THICK.
- PLATING:
 - .000100/(.00254) MIN. TIN OVER
.000050/(.00127) MIN. NICKEL.
 - .000030/(.00076) MIN. SELECT GOLD IN CONTACT AREA.
.000100/(.00254) MIN. SELECT TIN ON SOLDER TAILS
OVER .000050/(.00127) MIN. NICKEL.
 - .000100/(.00254) MINIMUM SELECT SILVER IN CONTACT AREA.
.000100/(.00254) MIN. SELECT TIN ON SOLDER TAILS
OVER .000050/(.00127) MIN. NICKEL.
- PRODUCT SPEC: PS-42815-001.
- PACKAGING INFORMATION: PK-42815-001.
- PART IS DESIGNED IN METRIC.
- TERMINALS FOR USE WITH STRANDED WIRE ONLY.
- ITEM NUMBERS PRECEDED BY AN "X" IN THE CHART ARE NOT AVAILABLE.
- THE 8 AWG TERMINAL HAS NO INSULATION CRIMP. THE SECONDARY CRIMP SECTION ACTS AS A STRAIN RELIEF ON THE BARE CONDUCTOR ONLY. SEE MOLEX CRIMP SPECIFICATION FOR DETAILS.
- AFTER CRIMPING, THIS DIMENSION IS .140/(3.55) MINIMUM.
- AFTER CRIMPING, THIS DIMENSION IS .089/(2.25) MINIMUM.
- WHEN USING THE 8 AWG TERMINAL WITH "HI-FLEX" WIRE, MOLEX STRONGLY RECOMMENDS THAT THE APPROPRIATELY RATED HEAT SHRINK INSULATION BE APPLIED OVER THE WIRE INSULATION AND CRIMP AREA, AS SHOWN. TO MINIMIZE WIRE INSULATION CREEPAGE OUTSIDE OF HOUSING.

- WHEN USING OVERALL TIN PLATED TERMINALS. FOR APPLICATIONS INVOLVING VIBRATION AND/OR THERMAL CYCLING. MOLEX STRONGLY RECOMMENDS THE USE OF NYE LUBRICANT. NYOGEL 760G. ON THE MATING AREA OF THE TERMINAL. LUBRICANT SHOULD BE APPLIED AFTER THE TERMINALS ARE INSERTED INTO THE HOUSING. REFER AS-42815-001 FOR ADDITIONAL INFORMATION.
- THE 8 AWG TERMINAL WILL ALSO ACCOMODATE 2 12 AWG WIRES SEE CRIMP SPEC FOR DETAILS.
- THIS DRAWING REPLACES SD-42817-*, REV J AND 428170000 REV. A.

THIS DRAWING CONTAINS INFORMATION THAT IS PROPRIETARY TO MOLEX ELECTRONIC TECHNOLOGIES, LLC AND SHOULD NOT BE USED WITHOUT WRITTEN PERMISSION									
DIMENSION UNITS		SCALE		CURRENT REV/DESC:					
MM/IN		8:1		EC NO: 703014 DRWN: SHRUTJ 2022/04/12 CHK'D: SHRUTJ 2022/04/12 APPR: ISHWARG 2022/04/12 INITIAL REVISION: DRWN: RJF 1992/07/01 APPR: RAS 1992/07/01					
GENERAL TOLERANCES (UNLESS SPECIFIED)									
		MM	INCH						
4 PLACES	±		±						
3 PLACES	±		± 0.01						
2 PLACES	±	0.25	± 0.016						
1 PLACE	±	0.4	±						
0 PLACES	±		±						
ANGULAR TOL		± 0.5 °		THIRD ANGLE PROJECTION					
DRAFT WHERE APPLICABLE MUST REMAIN WITHIN DIMENSIONS				DRAWING		SERIES		MATERIAL NUMBER	
				C-SIZE		42817		SEE CHART	



MALE CRIMP TERMINAL, 12, 10 & 8AWG MINI-FIT SR.

PRODUCT CUSTOMER DRAWING

DOCUMENT NUMBER	DOC TYPE	DOC PART	REVISION
428170000-SD	PSD	000	A2

CUSTOMER	SHEET NUMBER
GENERAL MARKET	2 OF 2