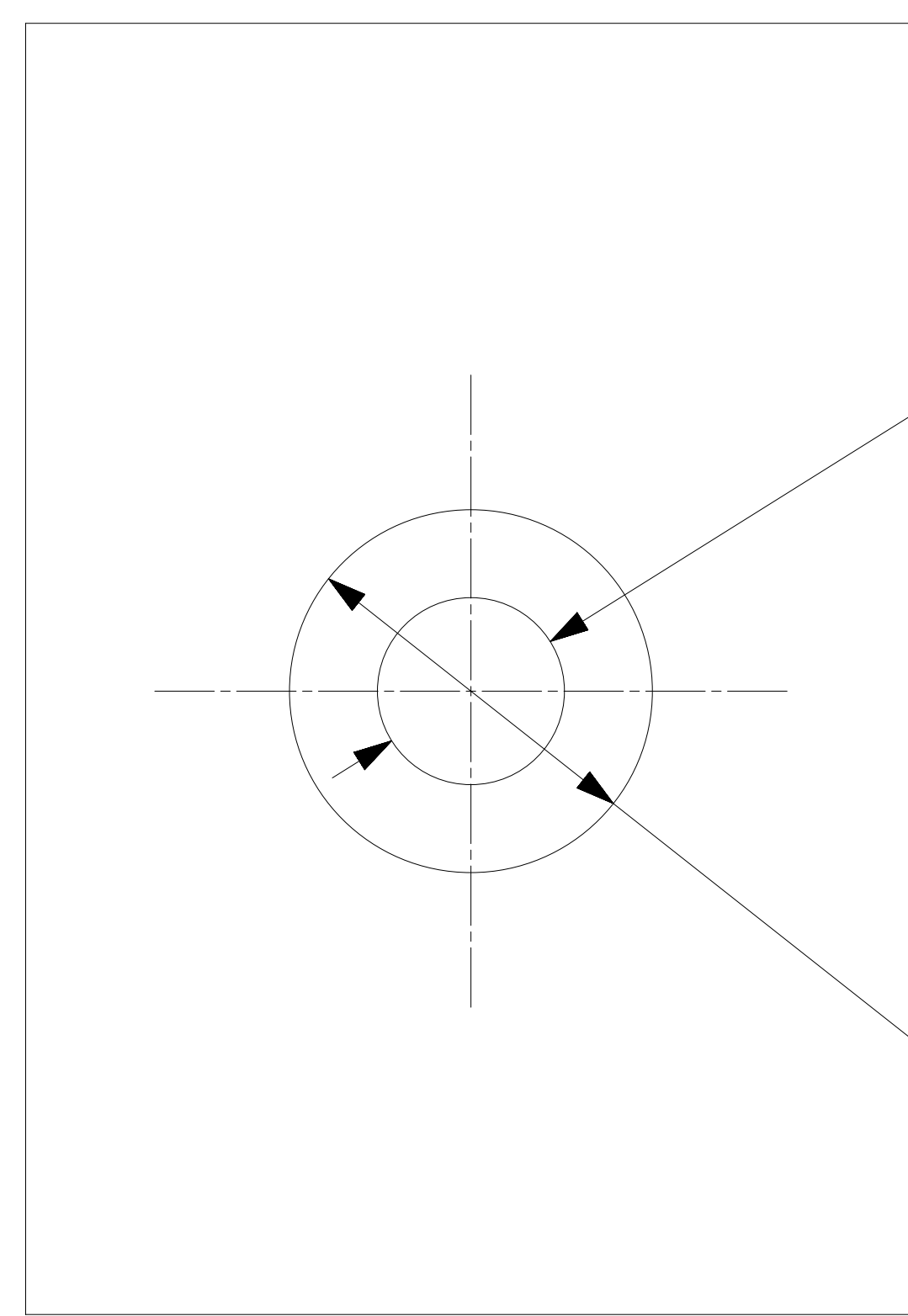
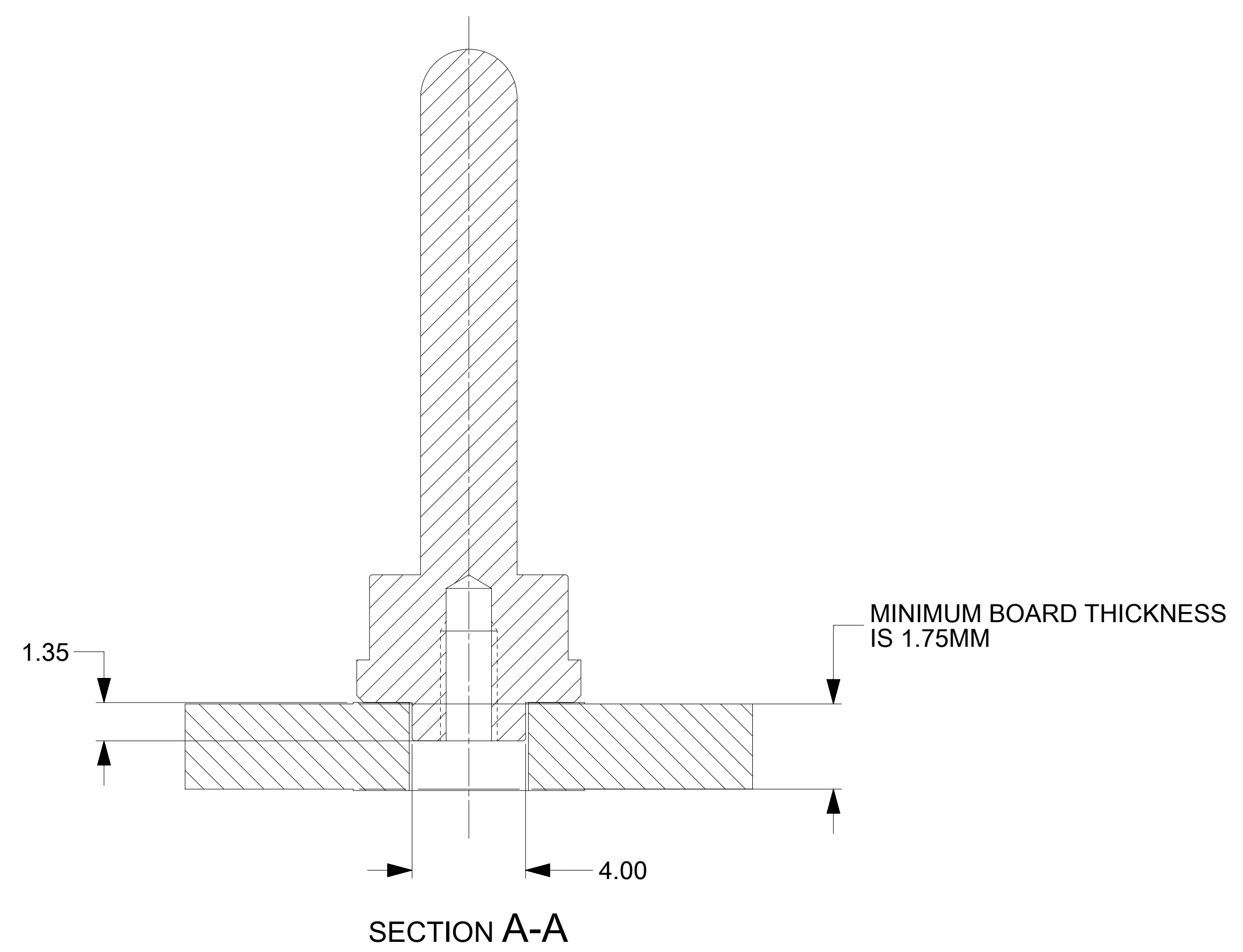
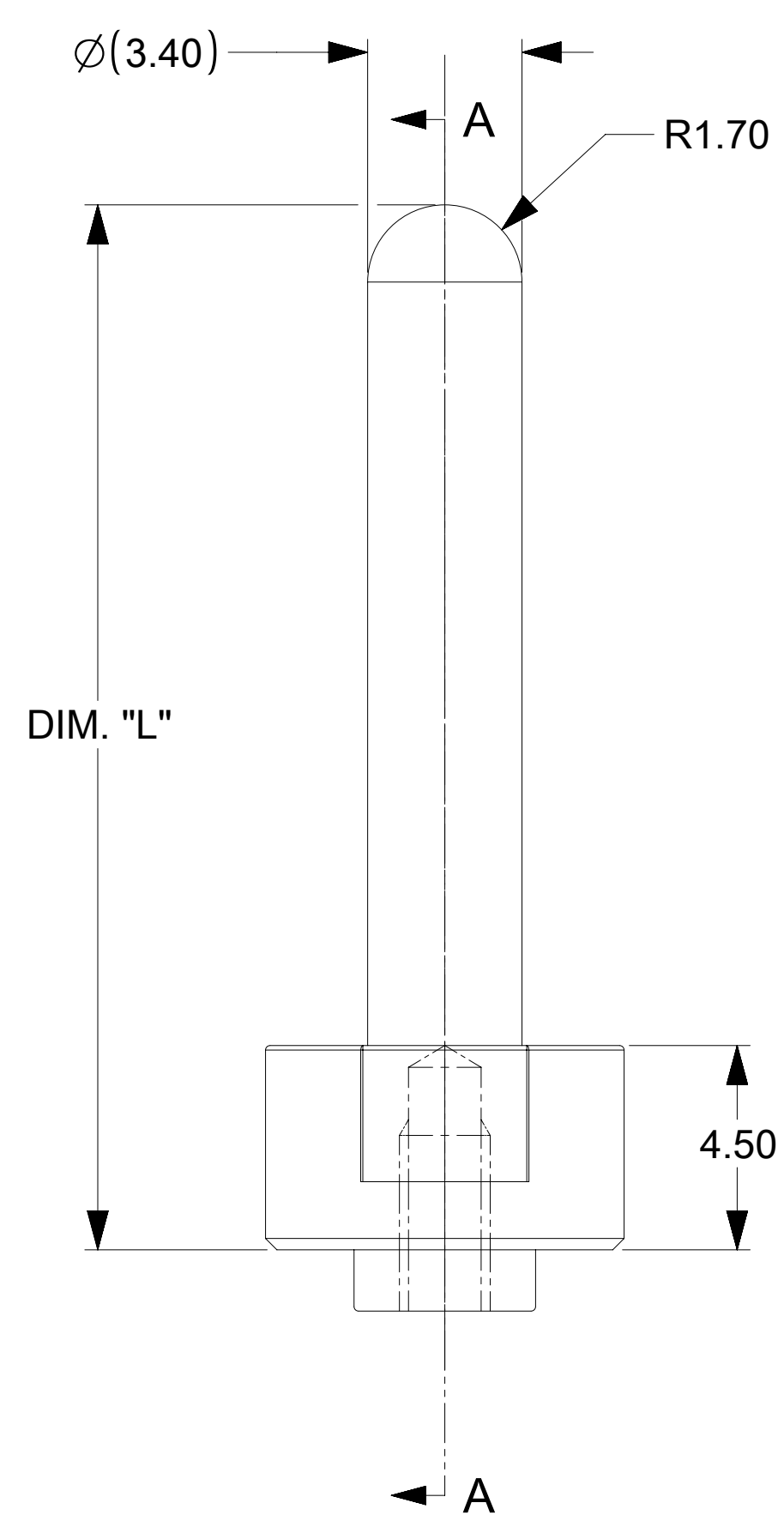
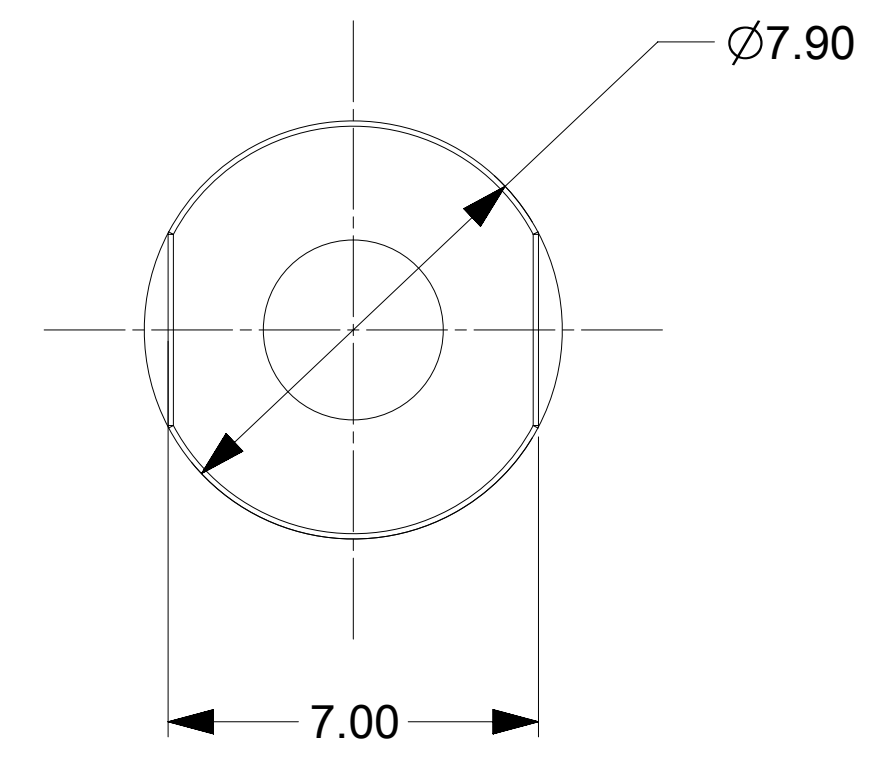


PART NUMBER	DIMENSION "L"
203263-8034	18.65
203263-8134	25.65
203263-8234	21.05
203263-8334	31.05
203263-8434	29.55
203263-8534	23.90
203263-8634	16.00
203263-8734	20.00
203263-8834	26.00
203263-8934	36.00
203263-9034	48.00



Ø4.20 ±0.05 PTH
SUGGESTED DRILL HOLE SIZE: Ø4.40MM

Ø8.15 PAD (2X)
TOP AND BOTTOM OF BOARD



NOTES:

- MATERIALS:
 - BASE METAL: HIGH CONDUCTIVE COPPER ALLOY
 - PLATING ON BODY: 3.18 MICRON MIN SILVER OVER 1.27 MICRON MIN NICKEL
- PRODUCT SPECIFICATION : 2043130018-PS
- APPLICATION SPECIFICATION : 2043130018-AS
- PACKAGING SPECIFICATION : 2032630018-PK
- SILVER COMPONENTS WILL BE SUPPLIED TARNISH FREE BUT MAY TARNISH OVER TIME.
- PART MOUNTED WITH CONDUCTIVE M2 SCREW AND CONDUCTIVE BELLEVILLE WASHER FOR OPTIMAL PERFORMANCE
- SCREW LENGTH TO BE DETERMINED BY CUSTOMER, SCREWS AND WASHERS ARE NOT SUPPLIED BY MOLEX.

THIS DRAWING CONTAINS INFORMATION THAT IS PROPRIETARY TO MOLEX ELECTRONIC TECHNOLOGIES, LLC AND SHOULD NOT BE USED WITHOUT WRITTEN PERMISSION											
DIMENSION UNITS		SCALE		CURRENT REV DESC: UPDATED THE DESCRIPTION							
mm		1:1		<p>molex</p> <p>SENTRALITY 3.40MM MALE TERMINAL SCREW MOUNT</p> <p>PRODUCT CUSTOMER DRAWING</p>							
GENERAL TOLERANCES (UNLESS SPECIFIED)											
ANGULAR TOL ± 0.5°											
4 PLACES ±		EC NO: 726284									
3 PLACES ±		DRWN: SOURAJ 2022/10/26									
2 PLACES ± 0.15		CHK'D: SUVARS 2022/10/27									
1 PLACE ± 0.25		APPR: GSHARMA 2022/10/28									
0 PLACES ±		INITIAL REVISION:		DOCUMENT NUMBER		DOC TYPE		DOC PART		REVISION	
DRAFT WHERE APPLICABLE MUST REMAIN WITHIN DIMENSIONS		THIRD ANGLE PROJECTION		DRAWING		SERIES		MATERIAL NUMBER		CUSTOMER	
		D-SIZE		203263		SEE TABLE		GENERAL MARKET		SHEET NUMBER	
										1 OF 1	