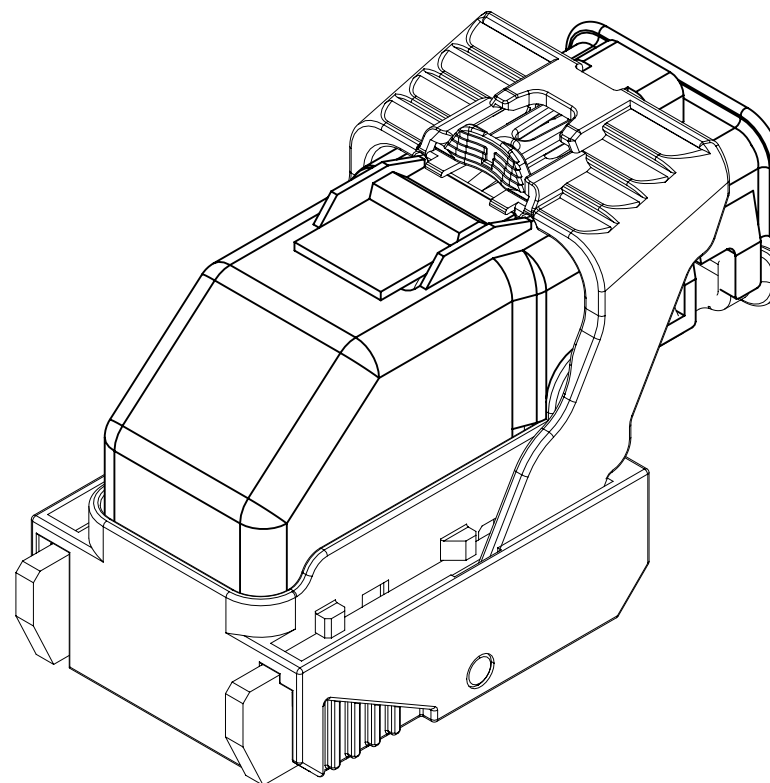

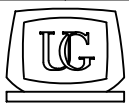


| INDEX | |
|---|------|
| PAGE TITLE | PAGE |
| TITLE BLOCK | 1 |
| REVISION BLOCK | 2 |
| PART BLOCK | 3 |
| KPC BLOCK | 4 |
| COMPONENT TABLE | 5 |
| NOTES | 6 |
| NOTES | 7 |
| WIRE DRESS PACKAGING DIMENSIONS | 8 |
| LOCATION AND PACKAGING DIMENSIONS REFERENCING INTERFACE DATUMS B & C | 9 |
| LOCATION AND PACKAGING DIMENSIONS REFERENCING INTERFACE DATUM A | 10 |
| KEY ID REF - WIRE DRESS OPTION 0 | 11 |
| KEY ID REF - WIRE DRESS OPTION 9 | 12 |
| CIRCUIT CONFIGURATIONS | 13 |
| CIRCUIT CONFIGURATIONS | 14 |
| COMPONENT CONNECTOR INTERFACE | 15 |
| COMPONENT CONNECTOR INTERFACE | 16 |
| COMPONENT CONNECTOR INTERFACE | 17 |
| COMPONENT CONNECTOR INTERFACE | 18 |
| COMPONENT CONNECTOR INTERFACE | 19 |
| COMPONENT CONNECTOR INTERFACE | 20 |
| COMPONENT CONNECTOR INTERFACE | 21 |
| COMPONENT CONNECTOR INTERFACE | 22 |




ISO VIEW

| | | | | |
|---|--|---|---|--------------------------------------|
|  | THIS DOCUMENT IS IN ACCORDANCE WITH ASME Y14.5M-1994 AS AMENDED BY THE GM GLOBAL DIMENSIONING AND TOLERANCING ADDENDUM - 2004. | | | DATE |
| |  CHANGE RESTRICTED NO MANUAL CHANGES | REFERENCE 12H (MOLEX AUTOMOTIVE) | DRAFTER D. KOEHLER APVD1 M.R. OOSTERINK APVD2 J. SWARTZ APVD3 G. FLECK APVD4 APVD5 | 28AP15 29AP15 29AP15 08MY15 |
| DO NOT SCALE | | DRAWING NAME | | |
| METRIC DIMENSIONS SHOWN IN MILLIMETERS UNLESS OTHERWISE SPECIFIED | | HARNESS CONN ASM-SEALED 18/49/56 CKTS, MX123 | | |
| DRAWING NUMBER | | DWG STATUS | | PAGE NUMBER |
| 12642694 | | ST | REV | PD1 |
| | | R | 001 | |
| | | | | 1 of 22 |

| PAGE | DWG STATUS | | | | | REVISION HISTORY | AUTH | DR | CK | ENG |
|------|------------|----|-----|-----|-----|------------------|------|----|----|-----|
| | DATE | ST | REV | CHG | PDI | | | | | |

| PAGE | DWG STATUS | | | | | REVISION HISTORY | AUTH | DR | CK | ENG |
|------|------------|----|-----|-----|-----|---------------------------------|--------|-----|-----|-----|
| | DATE | ST | REV | CHG | PDI | | | | | |
| | 08MY15 | R | 001 | | | RELEASED TO PRODUCTION AT DLS A | CRMRJD | DFK | MRO | GF |

| | | | | | | | |
|---|----------------|----------------|------------|----|-----|-------------|-----|
|  | PAGE TITLE | DRAWING NUMBER | DWG STATUS | | | PAGE NUMBER | |
| | REVISION BLOCK | | 12642694 | ST | REV | | PDI |
| | | | | R | 001 | | |

KEY PRODUCT CHARACTERISTICS
(IN ACCORDANCE WITH QN 1805 OR ON 1050)



SAFETY/COMPLIANCE

TOTAL ON
DRAWING

5



FIT/FUNCTION

LAST NO.
USED

5

| NO | TYPE | DESCRIPTION | RATIONALE | PAGE/ZONE |
|----|------|---------------------------------|------------------------------------|-----------|
| 1 | F/F | 32.68 | IMPROVE CONNECTOR SYSTEM MATING | 16 |
| 2 | F/F | 29.00 | INSURE PROPER RELEASE OF LEVER | 16 |
| 3 | F/F | 15.25 | INSURE FINAL MATE POSITION | 17 |
| 5 | F/F | POSITIONAL TOLERANCE (2 PLACES) | INSURE CONNECTOR SYSTEM MATIBILITY | 20 |



PAGE TITLE
KPC BLOCK

DRAWING NUMBER

12642694

DWG STATUS

| | | |
|----|-----|-----|
| ST | REV | PD1 |
|----|-----|-----|


| | | |
|---|-----|--|
| R | 001 | |
|---|-----|--|

PAGE NUMBER

4 OF 22

| P. No | MFG. | MFG. P/N | GM P/N | Effective Date | APPLICABLE COMPONENTS | Key Option | Wire Dress Option | Key Config. | Color | Status |
|-------|--------|--------------|-------------|----------------|---|------------|-------------------|-------------|---------|------------|
| | | | | | DESCRIPTION | | | | | |
| 1 | Molex | 34575-0003 | 12582679 | 02JN03 | WIRE HARNESS COVER | N/A | NA | N/A | BLACK | AVAILABLE |
| 2 | Molex | 34576-0103 | 12666118 | 31JL15 | HARN CONN ASM 49 CKT | A | 0 | 1458 | BLACK | ACTIVE |
| 3 | Molex | 34576-0203 | 12650786 | T.B.D. | HARN CONN ASM 49 CKT | B | 0 | 1468 | ST GRAY | NOT ACTIVE |
| 4 | Molex | 34576-0303 | 12666120 | 31JL15 | HARN CONN ASM 49 CKT | C | 0 | 2467 | BLUE | ACTIVE |
| 5 | Molex | 34576-0403 | 12615660 | T.B.D. | HARN CONN ASM 49 CKT | D | 0 | 2367 | BROWN | NOT ACTIVE |
| 6 | Molex | 34576-0503 | 12615661 | T.B.D. | HARN CONN ASM 49 CKT | E | 0 | 2468 | GREEN | NOT ACTIVE |
| 7 | Molex | 34576-0603 | 12615662 | T.B.D. | HARN CONN ASM 49 CKT | F | 0 | 1357 | NATURAL | NOT ACTIVE |
| 8 | Molex | 34576-0703 | 12582680 | 11JN04 | HARN CONN ASM 56 CKT | G | 0 | 1358 | BLUE | AVAILABLE |
| 9 | Molex | 34576-0803 | 12582681 | 11JN04 | HARN CONN ASM 56 CKT | H | 0 | 2458 | ST GRAY | AVAILABLE |
| 10 | Molex | 34576-0903 | 12615658 | T.B.D. | HARN CONN ASM 56 CKT | J | 0 | 2457 | BLACK | NOT ACTIVE |
| 11 | Molex | 34576-1003 | AVA77166 | T.B.D. | HARN CONN ASM 56 CKT | K | 0 | 2357 | BROWN | NOT ACTIVE |
| 12 | Molex | 34576-1103 | AVA77167 | T.B.D. | HARN CONN ASM 56 CKT | L | 0 | 2368 | GREEN | NOT ACTIVE |
| 13 | Molex | 34576-1203 | AVA77168 | T.B.D. | HARN CONN ASM 56 CKT | M | 0 | 2358 | NATURAL | NOT ACTIVE |
| 14 | Molex | 34576-1303 | 12666119 | 31JL15 | HARN CONN ASM 49 CKT | A | 9 | 1458 | BLACK | ACTIVE |
| 15 | Molex | 34576-1403 | 12650787 | T.B.D. | HARN CONN ASM 49 CKT | B | 9 | 1468 | ST GRAY | NOT ACTIVE |
| 16 | Molex | 34576-1503 | 12666121 | 31JL15 | HARN CONN ASM 49 CKT | C | 9 | 2467 | BLUE | ACTIVE |
| 17 | Molex | 34576-1603 | 12615663 | T.B.D. | HARN CONN ASM 49 CKT | D | 9 | 2367 | BROWN | NOT ACTIVE |
| 18 | Molex | 34576-1703 | 12615664 | T.B.D. | HARN CONN ASM 49 CKT | E | 9 | 2468 | GREEN | NOT ACTIVE |
| 19 | Molex | 34576-1803 | 12615665 | T.B.D. | HARN CONN ASM 49 CKT | F | 9 | 1357 | NATURAL | NOT ACTIVE |
| 20 | Molex | 34576-1903 | 12603600 | 11JN04 | HARN CONN ASM 56 CKT | G | 9 | 1358 | BLUE | AVAILABLE |
| 21 | Molex | 34576-2003 | 12603601 | T.B.D. | HARN CONN ASM 56 CKT | H | 9 | 2458 | ST GRAY | NOT ACTIVE |
| 22 | Molex | 34576-2103 | 12615659 | T.B.D. | HARN CONN ASM 56 CKT | J | 9 | 2457 | BLACK | NOT ACTIVE |
| 23 | Molex | 34576-2203 | AVA77192 | T.B.D. | HARN CONN ASM 56 CKT | K | 9 | 2357 | BROWN | NOT ACTIVE |
| 24 | Molex | 34576-2303 | AVA77193 | T.B.D. | HARN CONN ASM 56 CKT | L | 9 | 2368 | GREEN | NOT ACTIVE |
| 25 | Molex | 34576-2403 | AVA77143 | T.B.D. | HARN CONN ASM 56 CKT | M | 9 | 2358 | NATURAL | NOT ACTIVE |
| 26 | Molex | 34851-0007 | 12644156 | 31AU15 | HARN CONN ASM 18 CKT | G | 0 | 1358 | BLUE | ACTIVE |
| 27 | Molex | 34851-0008 | 12644158 | 31AU15 | HARN CONN ASM 18 CKT | H | 0 | 2458 | ST GRAY | ACTIVE |
| 28 | Molex | 34851-0019 | 12644157 | 31AU15 | HARN CONN ASM 18 CKT | G | 9 | 1358 | BLUE | ACTIVE |
| 29 | Molex | 34851-0020 | 12644159 | 31AU15 | HARN CONN ASM 18 CKT | H | 9 | 2458 | ST GRAY | ACTIVE |
| 30 | Molex | 34736-2002 | 12642697 | 01AU10 | MX64 RCPT TERM Ag 18/20 GAGE B (RIGHT PAYOFF) | N/A | N/A | N/A | N/A | AVAILABLE |
| 31 | Molex | 34736-2001 | 12642696 | 01AU10 | MX64 RCPT TERM Ag 22 GAGE B (RIGHT PAYOFF) | N/A | N/A | N/A | N/A | AVAILABLE |
| 32 | Molex | 34586-0001 | T.B.D. | 11JN04 | MX123 0.64MM GROMMET PLUG | N/A | N/A | N/A | NATURAL | AVAILABLE |
| 33 | Yazaki | 7116-4150-02 | 12588066 | 02JN03 | 2.8mm YESC SEALED FEMALE TERMINAL TIN 20/22 GAGE (CABLE RANGE 0.30mm-0.60mm) | N/A | N/A | N/A | N/A | NOT ACTIVE |
| 34 | Yazaki | 7116-4151-02 | 12588067 | 02JN03 | 2.8mm YESC SEALED FEMALE TERMINAL TIN 16/18 GAGE (CABLE RANGE 0.75mm-1.40mm) | N/A | N/A | N/A | N/A | NOT ACTIVE |
| 35 | Yazaki | 7116-4152-02 | 12582685 | 02JN03 | 2.8mm YESC SEALED FEMALE TERMINAL TIN 14 GAGE (CABLE RANGE 1.50mm-2.50mm) | N/A | N/A | N/A | N/A | AVAILABLE |
| 36 | Yazaki | 7158-3111-60 | 12588068 | 02JN03 | 2.8mm CABLE SEAL (wire O.D. range 1.20mm-1.90mm) | N/A | N/A | N/A | GREEN | NOT ACTIVE |
| 37 | Yazaki | 7158-3112-70 | 12588069 | 02JN03 | 2.8mm CABLE SEAL (wire O.D. range 1.80mm-2.30mm) | N/A | N/A | N/A | YELLOW | NOT ACTIVE |
| 38 | Yazaki | 7158-3113-40 | 12582686 | 02JN03 | 2.8mm CABLE SEAL (wire O.D. range 2.18mm-3.00mm) | N/A | N/A | N/A | WHITE | AVAILABLE |
| 39 | Yazaki | 7158-3114-90 | T.B.D. | 02JN03 | 2.8mm YESC CAVITY PLUG | N/A | N/A | N/A | BLUE | AVAILABLE |
| 40 | FCI | 33140138 | 12646399 | 10JA14 | 6.35mm APEX RCPT TERM Sn/Ag GRIP CODE-10 (6mm2) - Greased | N/A | N/A | N/A | N/A | AVAILABLE |
| 41 | FCI | 33140135 | 12654556 | 10JA14 | 6.35mm APEX RCPT TERM Sn/Ag GRIP CODE-TBD (1mm2) - Greased | N/A | N/A | N/A | N/A | AVAILABLE |
| 42 | QSR | A-0549C | 12646688 | 01SE14 | 6.35mm CABLE SEAL (FOR 6.0mm2 WIRE SIZE - 3.6 TO 4.2mm INSULATION OD) | N/A | N/A | N/A | WHITE | AVAILABLE |
| 43 | QSR | A-0549B | 12654557 | 01SE14 | 6.35mm CABLE SEAL (FOR 0.75-1.25mm2 WIRE SIZE - 1.8 TO 2.3mm INSULATION OD) | N/A | N/A | N/A | BLUE | AVAILABLE |
| 44 | Molex | 63811-4200 | XX019825 | 02JN03 | MX64 TERM HAND CRIMP TOOL | N/A | N/A | N/A | N/A | AVAILABLE |
| 45 | Molex | 63813-1400 | XX019826 | 02JN03 | MX64 TERM SERVICE TOOL | N/A | N/A | N/A | N/A | AVAILABLE |
| 46 | Molex | 63865-8000 | XX019827 | 02JN03 | MX64 CRIMP APPLICATOR with TOOL KIT 18/20 GAGE PAYOFF DIRECTION D (left payoff) (contact Molex for payoff detail) | N/A | N/A | N/A | N/A | AVAILABLE |
| 47 | Molex | 63865-8070 | XX019828 | 02JN03 | MX64 APPLICATOR TOOL KIT 18/20 GAGE | N/A | N/A | N/A | N/A | AVAILABLE |
| 48 | Molex | 63865-8100 | XX019829 | 02JN03 | MX64 CRIMP APPLICATOR with TOOL KIT 22 GAGE PAYOFF DIRECTION D (left payoff) (contact Molex for payoff detail) | N/A | N/A | N/A | N/A | AVAILABLE |
| 49 | Molex | 63865-8170 | XX019830 | 02JN03 | MX64 APPLICATOR TOOL KIT 22 GAGE | N/A | N/A | N/A | N/A | AVAILABLE |
| 50 | SPX | J35616-64 | T.B.D. | 02JN03 | 0.64mm PROBE TOOL (for rcpt) | N/A | N/A | N/A | N/A | AVAILABLE |
| 51 | SPX | J35616-64A | T.B.D. | 02JN03 | 0.64mm PROBE TOOL WITH EXT (for rcpt) | N/A | N/A | N/A | N/A | AVAILABLE |
| 52 | SPX | J35616-65 | T.B.D. | 02JN03 | 0.64mm PROBE TOOL WITH EXT (for pin) | N/A | N/A | N/A | N/A | AVAILABLE |
| 53 | SPX | J35616-4A | T.B.D. | 02JN03 | 2.8mm PROBE TOOL (for rcpt) | N/A | N/A | N/A | N/A | AVAILABLE |
| 54 | YAZAKI | X39899-J374 | 12094430 | 02JN03 | 2.8mm TERM SERVICE TOOL | N/A | N/A | N/A | N/A | AVAILABLE |
| 55 | TQ1 | 7000-1001 | N/A | 01FE15 | 18CKT PASS THROUGH ADAPTERS | N/A | N/A | N/A | BLACK | AVAILABLE |
| 56 | TQ1 | 7000-1004 | N/A | 01FE15 | 49CKT PASS THROUGH ADAPTERS | N/A | N/A | N/A | BLACK | AVAILABLE |
| 57 | TQ1 | 79917-0060 | N/A | 02JA08 | 56CKT PASS THROUGH ADAPTERS | N/A | N/A | N/A | BLACK | AVAILABLE |
| 58 | Molex | 63813-1500 | J-38125-217 | 01SE14 | 6.35mm APEX TERM SERVICE TOOL | N/A | N/A | N/A | N/A | AVAILABLE |

* MX123 WIRE HARNESS COVER MATES TO ANY 18/49/56 CKT MX123 HARN CONN ASSY SHOWN ON THIS TABLE

| | | | | | | |
|---|-----------------|----------------|------------|-----|-----|-------------|
|  | PAGE TITLE | DRAWING NUMBER | DWG STATUS | | | PAGE NUMBER |
| | COMPONENT TABLE | 12642694 | ST | REV | PDI | 5 of 22 |
| | | | R | 001 | | |

NOTES: UNLESS OTHERWISE SPECIFIED

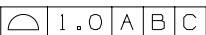
1. MATERIAL FOR INTERFACE:

- A. RESIN:
 - 1. 30% G.F. PBT; 20% MAX. (BY WEIGHT) REGRIND.
 - 2. MATING CONNECTOR INTERFACE PART COLOR MUST BE SAME AS MATCHING KEYED HARNESS CONNECTOR ASSEMBLY.
 - 3. MUST BE VALIDATED FOR INDIVIDUAL DEVICE APPLICATION REQUIREMENTS.
- B. 0.64MM PINS:
 - 1. BASE MATERIAL: COPPER ALLOY; CONDUCTIVITY \geq 28% IACS AT 20°C; TENSILE STRENGTH \geq 635 N/mm²; SURFACE ROUGHNESS R_a 6 MAX.
 - 2. PLATING FINISH: SILVER (Ag). PLATING TO BE 1.9-3.3 μ m ELECTRODEPOSITED SEMI-BRIGHT SILVER OVER 1.25-2.25 μ m DUCTILE SULPHAMATE NICKEL PER NOTE 1(D).
 - 3. ANTI-TARNISH: SYNTHETIC HYDROCARBON CONTACT SURFACE FINISH OR EQUIVALENT APPLIED WITHOUT VOID TO CONTACT AREA (MIN 3.7mm FROM PIN TIP).
- C. 2.8MM BLADE:
 - 1. BASE MATERIAL: COPPER ALLOY; CONDUCTIVITY \geq 28% IACS AT 20°C; TENSILE STRENGTH \geq 350 N/mm²; SURFACE ROUGHNESS R_a 6 MAX.
 - 2. PLATING FINISH: TIN. PLATING TO BE 2.5-5.0 μ m ELECTRODEPOSITED TIN, MATTE FINISH OVER 1.25-2.5 μ m DUCTILE SULPHAMATE NICKEL PER NOTE 1(D).
- D. 6.3MM BLADE:
 - 1. BASE MATERIAL: COPPER ALLOY; CONDUCTIVITY \geq 50% IACS AT 20°C;
 - 2. PLATING FINISH: SILVER (Ag) PLATING TO BE 1.9-3.3 μ m ELECTRODEPOSITED SEMI-BRIGHT SILVER, OVER 1.25-2.5 μ m DUCTILE SULPHAMATE NICKEL PER NOTE 1(D) WITH ENVIRONMENTAL BARRIER OR TIN/SILVER (ELECTRO-DEPOSITED), UNDERPLATE 0.5-2.0 μ m NICKEL OR COPPER. TOP PLATING: 1.0-3.0 μ m (SILVER RANGE 3.75-X.XX NO ANTI-TARNISH COATING REQUIRED).

E. PLATING REQUIREMENTS:


- 1. SILVER PLATING
 - a. 99.5% PURE SEMI-BRIGHT WITH NO ORGANIC BRIGHTNERS OR CHROMATES.
- 2. NICKEL PLATING
 - a. ELECTRODEPOSITED DUCTILE SULFAMATE NICKEL WITH A NON-BRIGHTENED FINISH. NO ORGANIC OR BRIGHTENING AGENTS SHALL BE ALLOWED.
 - b. SHALL ONLY BE USED AS AN UNDERLYING PLATING AND MAY NOT BE USED AS AN ELECTRICAL CONTACT SURFACE PLATING.
 - c. SHALL BE NODULE FREE WHEN VIEWED AT 10X MAGNIFICATION IN MEASURED IN CONTACT SURFACE AREA PLUS 0.5MM PERIMETER AROUND THE CONTACT SURFACE AREA.
 - d. ALL PLATINGS SHALL HAVE A 1.0% MAXIMUM BY WEIGHT IMPURITIES. IMPURITIES ARE DEFINED AS ALL ELEMENTS NOT THE PRIMARY PLATING OR HARDENING AGENT IF APPLICABLE, AS DETERMINED BY WET CHEMICAL ANALYSIS OR AUGER METHOD. NO SINGLE IMPURITY SHALL EXCEED 0.1% MAXIMUM BY WEIGHT.
- 3. TESTING
 - a. THICKNESS TO BE MEASURED IN CONTACT SURFACE AREA PLUS 0.5MM PERIMETER AROUND THE CONTACT SURFACE AREA AS DESIGNATED IN THE DRAWING. THICKNESS SHALL BE DETERMINED BY METHOD OF X-RAY (XRF).
 - b. PLATING ADHESION SHALL BE TESTED BY A BEND TEST FOR ALL METALS. THE TEST SAMPLE SHALL BE BENT 90 DEGREES TO DETERMINE DEPOSIT ADHESION. TESTING SHALL BE COMPLETED IN ACCORDANCE WITH ASTM SPEC B571.

2. DESIGN - GENERAL:

- A. THIS IS A 100% CAD GENERATED PART. THE CAD MATHEMATICAL DATA IS THE MASTER FOR THIS PART. WHERE DIMENSIONS ARE SPECIFIED ON THE DRAWING, THE DRAWING IS THE AUTHORITY FOR DIMENSIONAL VALUES. FOR DIMENSIONAL OR ANY INFORMATION NOT SHOWN ON THIS DRAWING, ANALYZE THE CAD MODEL.
- B. DIMENSIONS OBTAINED FROM THE DIGITAL MODEL ARE BASIC:
 - 1. FOR RELATIONSHIPS BETWEEN FEATURES WHEN ESTABLISHED BY GEOMETRIC TOLERANCES.
 - 2. FOR THE FORM OF A FEATURE WHEN CONTROLLED BY A PROFILE TOLERANCE.
 - 3. FOR THE SIZE, FORM AND/OR RELATIONSHIP BETWEEN FIXED DATUM TARGETS.
- C. DIMENSIONS OBTAINED FROM THE DIGITAL MODEL ARE ROUNDED TO TWO DECIMAL PLACES (PER IEEE/ASTM SI 10-2002)
- D. VIEWS AND SECTIONS ON THIS DRAWING ARE IN ACCORDANCE WITH GM DCS SECTION C3.
- E. THE DIGITAL MODEL MUST CORRESPOND TO THE RELEASE LEVEL SHOWN IN THE PART BLOCK ON THIS DOCUMENT.
- F. TOLERANCES:
 - 1. LINEAR
 - 0.X \pm 0.30
 - 0.XX \pm 0.10
 - 0.XXX \pm 0.10
 - 2. ANGULAR X° \pm 3°
 - 3.  1.0 A B C
- G. MINIMUM WALL THICKNESS REQUIRED: 1.3mm.
- H. CORNERS SHOWN AS SHARP TO BE R 0.2 MAX.
- J. LETTERING SHALL BE 0.15 MAX RAISED IN 0.20 MAX RECESS PAD. THIS INCLUDES MATERIAL CODE, RECYCLING CODE, CAVITY ID AND DATE CODE.
- K-1. PARTS MUST BE FREE OF DISCOLORATION, SALT RESIDUE AND OTHER IMPERFECTIONS THAT AFFECT FIT OR FUNCTION.
- K-2. SCRATCHES OR DENTS NOT TO EXCEED 0.013mm IN DEPTH.
- L. FOLLOWING PRODUCTION CODES TO BE PERMANENTLY MARKED & HUMAN READABLE TO A LETTER HEIGHT OF 1.5 \pm 0.5MM X 0.3 MAX DEEP
 - 1. MATERIAL #: XXXXX-XXXX
 - 2. DATE CODE: JJYY (JULIAN DAY, LAST DIGIT OF YEAR)
 - 3. INSPECTION MACHINE CODE + SERIAL #: X_XXXXX

3. DESIGN - MANUFACTURING:

- A. DRAFT TO BE WITHIN TOLERANCE.
- B. ALLOWABLE FLASH MAX 0.2 HIGH X MAX 0.13 THICK.
- C. ALLOWABLE PARTING LINE MISMATCH 0.2 MAX.
- D. EJECTOR PINS MARK TO BE FLUSH TO 0.25 MAX DEPRESSED.
- E. ALLOWABLE GATE VESTIGE FLUSH TO 0.25 MAX PROTRUSION.
- F. NO EXTERNAL MOLD RELEASE AGENT ALLOWED DURING MANUFACTURING.
- G. STEEL THAT FORMS THE INDICATED SURFACE MUST BE POLISHED WITH A DIAMOND FINISH (SPI A-2) OVER THE FULL PERIPHERY OF THE TOOL. SURFACE MUST HAVE NO MISMATCH.
- H. ANY PROCESS LUBRICANT REMAINING ON THE TERMINAL MUST NOT VARNISH OR DEGRADE IT'S ELECTRICAL PERFORMANCE UP TO A MAXIMUM CLASS AMBIENT TEMPERATURE PER SAE USCAR-2 FOR 1008 HOURS. PROCESS LUBRICANTS SHOULD BE APPROVED BY THE RESPONSIBLE ENGINEER.
- J. OPTIONAL FEATURES PROVIDED FOR AUTOMATION.
- K. PART MUST BE FREE FROM BURRS AND SHARP EDGES, WHICH MIGHT BE DETRIMENTAL TO SATISFACTORY ASSEMBLY, SAFE HANDLING OR FUNCTION OF PART.
- L. PARTS AS DELIVERED TO ASSEMBLY SHALL BE CLEAN AND FREE OF DEBRIS, RESIDUAL ABRASIVE MATERIAL AND CORROSION PRODUCTS ADVERESLY AFFECTING FUNCTION OR APPEARANCE.
- M. RESTRICTED AND REPORTABLE SUBSTANCES FOR PARTS PER GMW3059.

| | | | | | | | |
|---|------------|----------------|------------|----|-----|-------------|-----|
|  | PAGE TITLE | DRAWING NUMBER | DWG STATUS | | | PAGE NUMBER | |
| | NOTES | | 12642694 | ST | REV | | PDI |
| | | | | R | 001 | | |

NOTES: UNLESS OTHERWISE SPECIFIED

4. SYSTEM REQUIREMENTS:

- A. HARNESS CONNECTOR IS COMPATIBLE WITH THE FOLLOWING WIRE SIZE NO'S:
 SAE 14AWG, MEETING SAE J1128
 SAE 18AWG, MEETING SAE J1128, MAX O.D. OF 2.06 MM
 SAE 20AWG, MEETING SAE J1128
 SAE 22AWG, MEETING SAE J1128, MIN O.D. OF 1.47 MM
 ISO 6mm², FLR2X-A/T-125 PER GM 15626 (FEB 2008)
- B. CABLE TIE SPECIFICATIONS:
 1. CABLE TIE:
 TENSILE RATING: 220N / (50lbs) MIN
 TIE LENGTH: 186mm MIN
 TIE WIDTH: 4.75mm MAX
 MATERIAL: NYLON
 2. INSTALLATION:
 CABLE TIE TENSION: 190N MIN
 3. DRESSED WIRE BUNDLE PACKAGING: SEE FIG. 1
- C. WHEN MATED WITH COMPONENT CONNECTOR INTERFACE AND/OR DRESS COVER, HARNESS CONNECTOR SYSTEM CONFORMS TO THE FOLLOWING:
 1. SAE/USCAR-2, REV: 3 APRIL, 2001; CLASS 3
 2. FIELD CORRELATED LIFE TEST, SAE/USCAR-20, NOV. 2001
 3. GMW #3191 AUGUST 22, 2000 (DRAFT); TEMPERATURE CLASS 3 (145°C), SEALING CLASS 1 (HIGH PRESSURE SPRAY), VIBRATION CLASS 2 (ON BODY)
 4. TPA USER FORCES (FULLY POPULATED WITH TERMINALS)
 a. REMOVAL FROM LOCK TO PRE-SET: <=120N
- D. WIRE SPECIFICATIONS:
 1. WIRE SURFACE MUST BE FREE OF SCRATCHES, GROOVES OR DENTS WHERE FUNCTIONAL

5. TERMINAL CURRENT RATINGS:

ALL TESTING DONE IN ACCORDANCE WITH USCAR-2 REV5 SECTION 5.3

- A. MX64 RCPT TERM
 1. MX64 RCPT TERM Ag 18/20 GAGE CRIMPED TO SAE WIRE SIZE NO.18 AND MATED TO MX123 0.64MM PIN: 11.3 AMPS
 2. MX64 RCPT TERM Ag 22 GAGE CRIMPED TO SAE WIRE SIZE NO.22 AND MATED TO MX123 0.64MM PIN:8.5 AMPS

| WIRE | CURRENT RATING | | | |
|-------|----------------|----------|-----------|-----------|
| | 23 deg.C | 85 deg.C | 105 deg.C | 125 deg.C |
| 18AWG | 11.3A | 11.3A | 9.5A | 6.6A |
| 20AWG | 10.0A | 10.0A | 8.3A | 5.7A |
| 22AWG | 8.6A | 8.6A | 7.1A | 5.0A |

- B. 2.8MM RCPT TERM
 1. 2.8MM RCPT TERM TIN 14 GAGE CRIMPED TO SAE WIRE SIZE NO.14 AND MATED TO MX123 2.8MM BLADE: 25.6 AMPS
- C. 6.3MM RCPT TERM - FCI APEX
 1. 6.3MM RCPT TERM TIN/SILVER CRIMPED TO 6.0MM² WIRE AND MATED TO MOLEX 6.3MM² BLADE (Sn/Ag PLATED):36A AT 125°C
6. CONTACT MOLEX AUTOMOTIVE FOR AVAILABLE CUSTOM PATTERNS OF CAVITIES OPEN FOR CIRCUITS

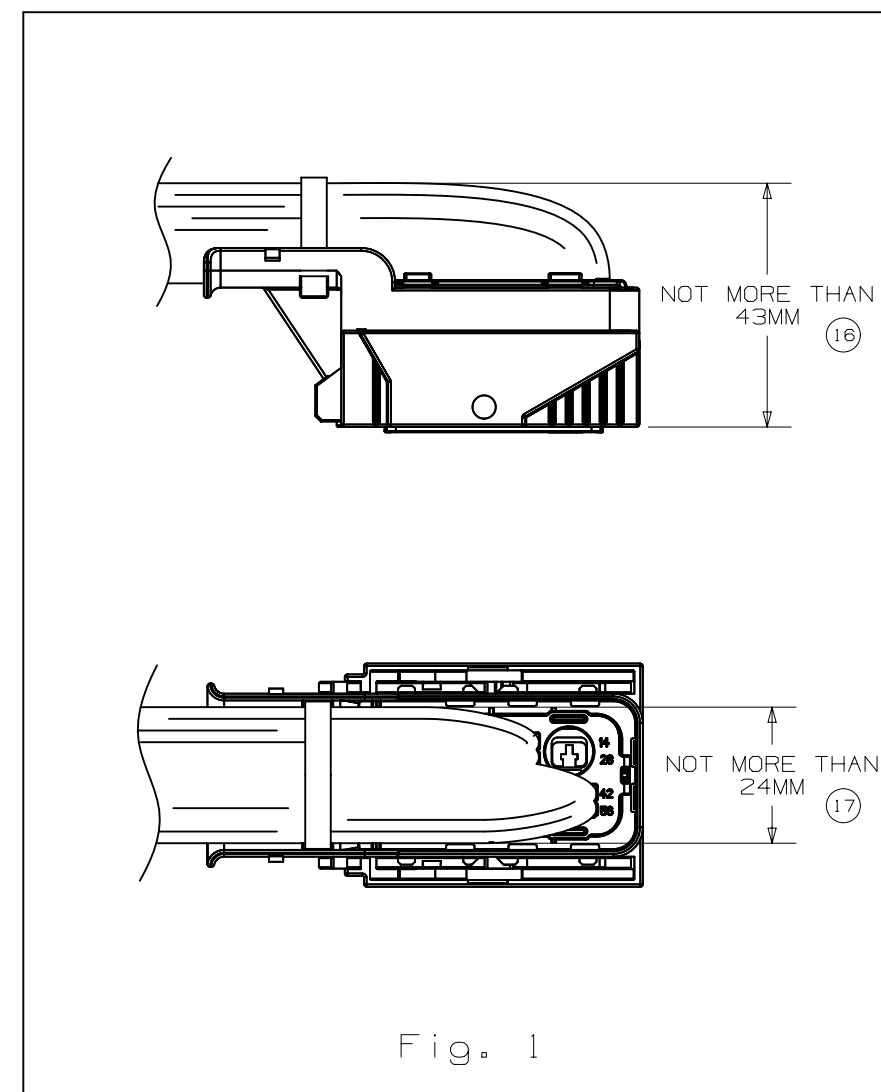
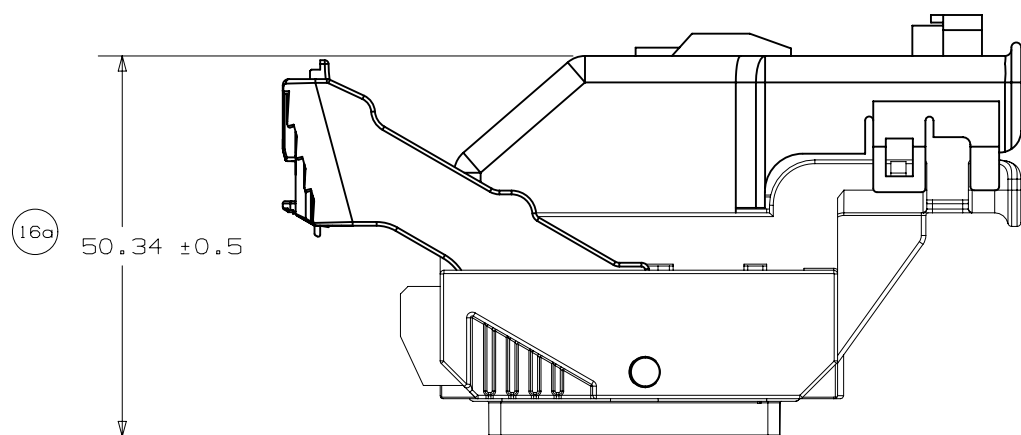


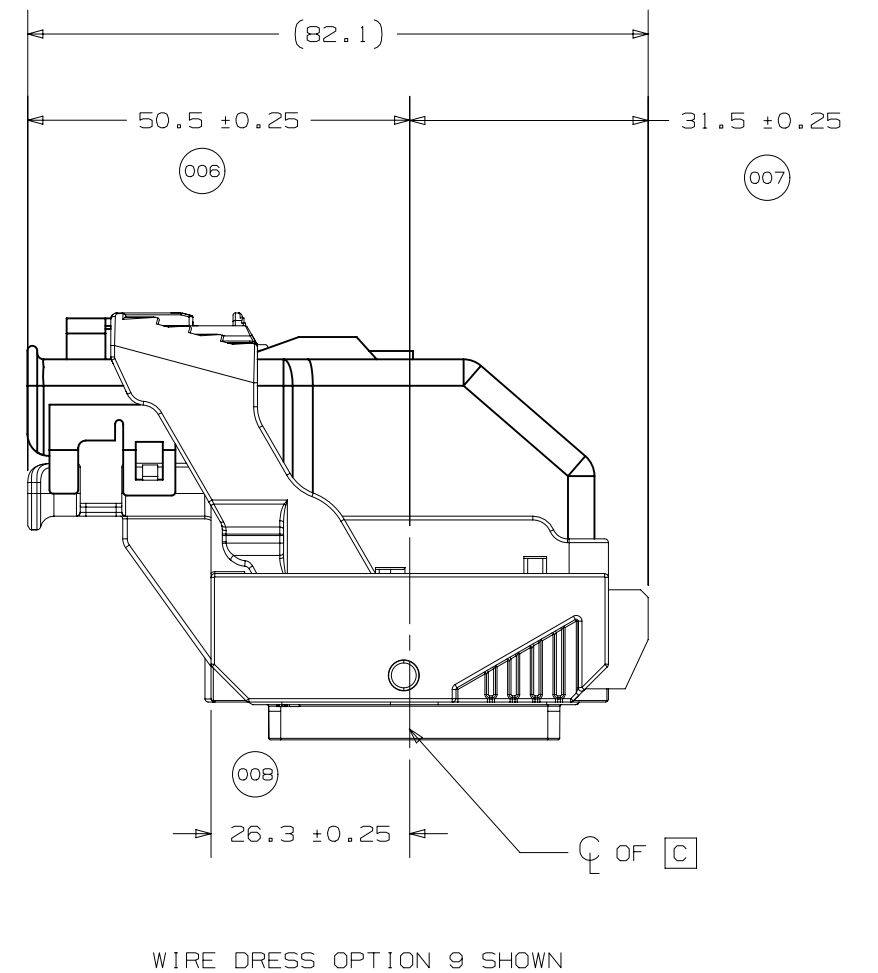
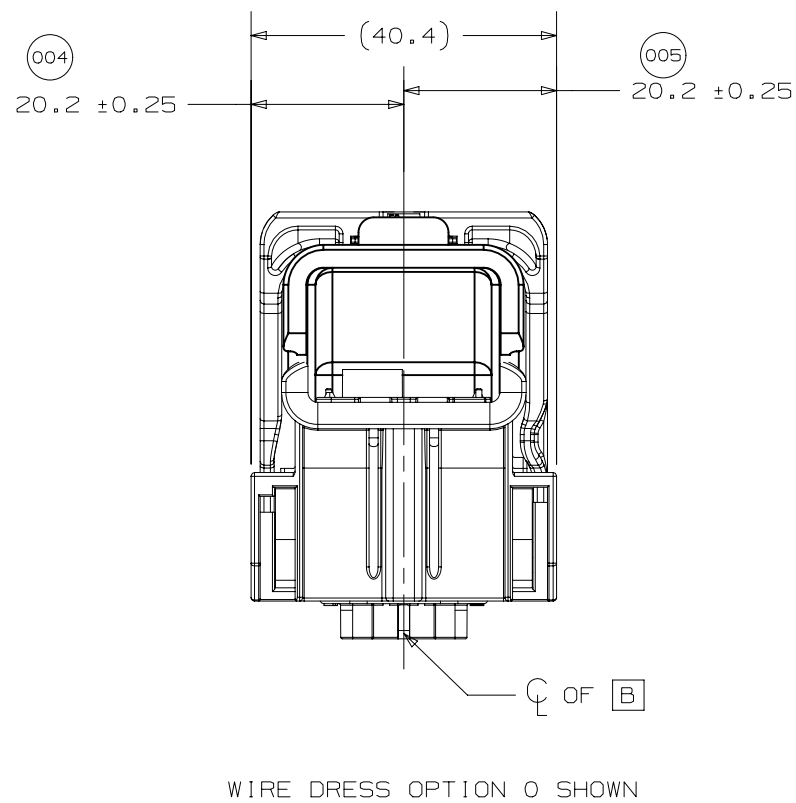
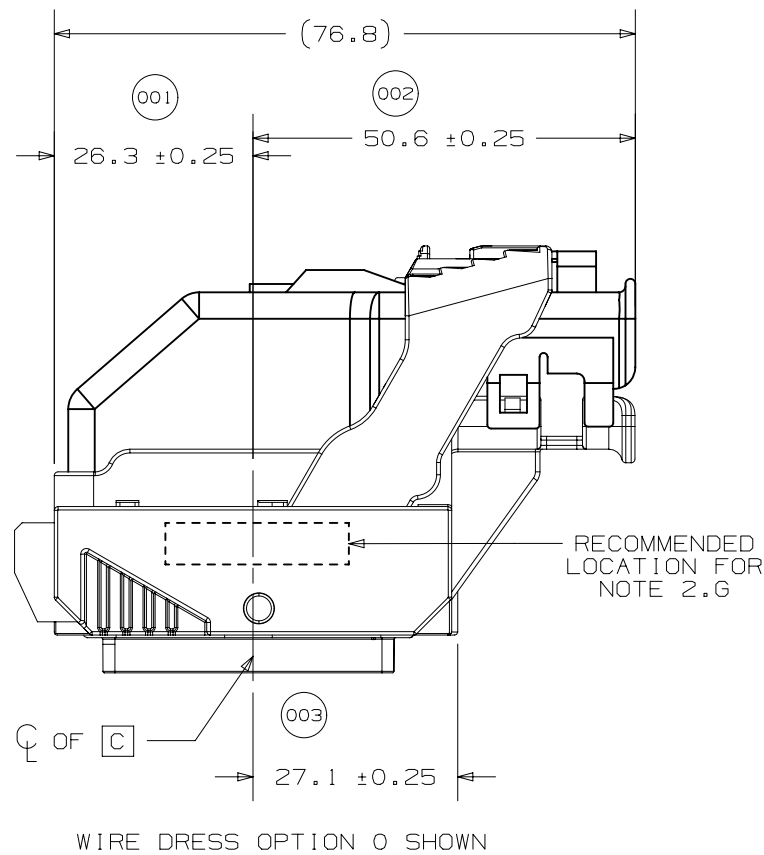
PAGE TITLE
 NOTES

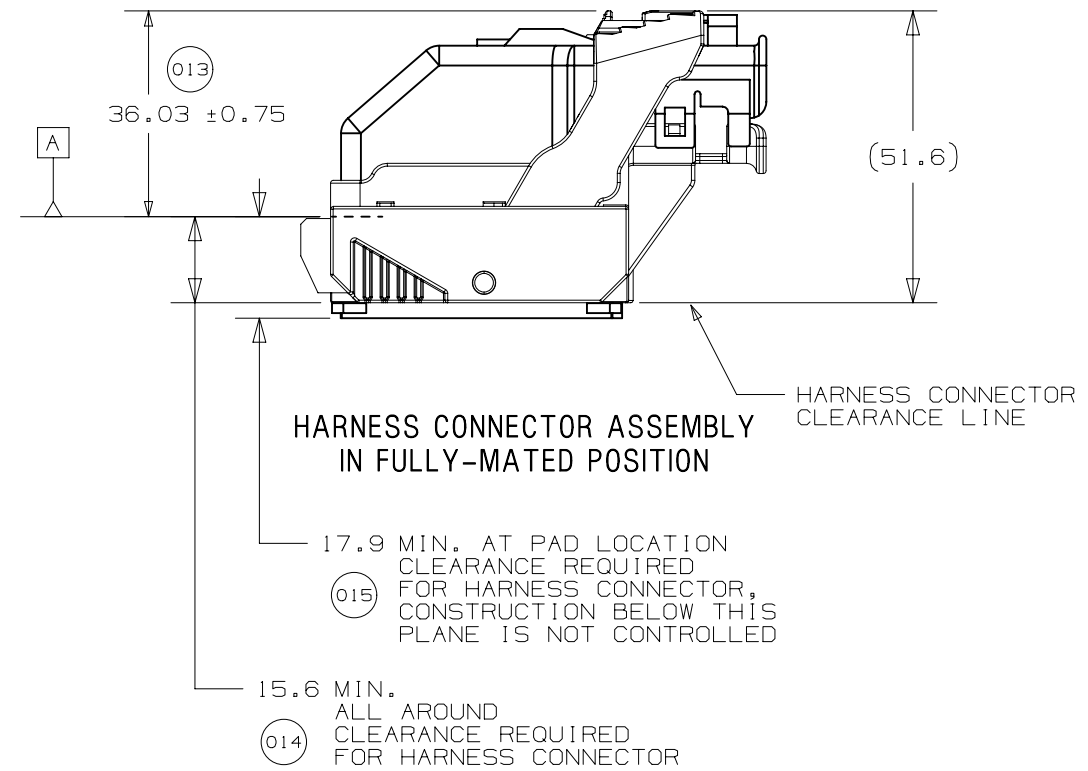
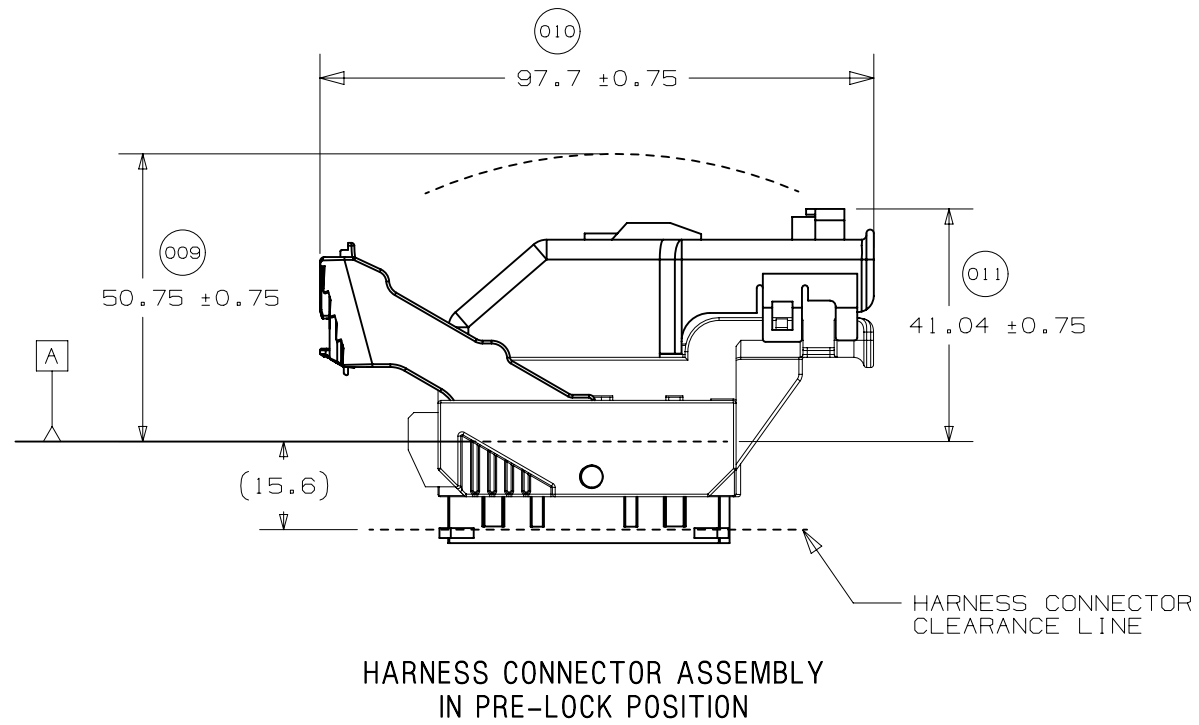
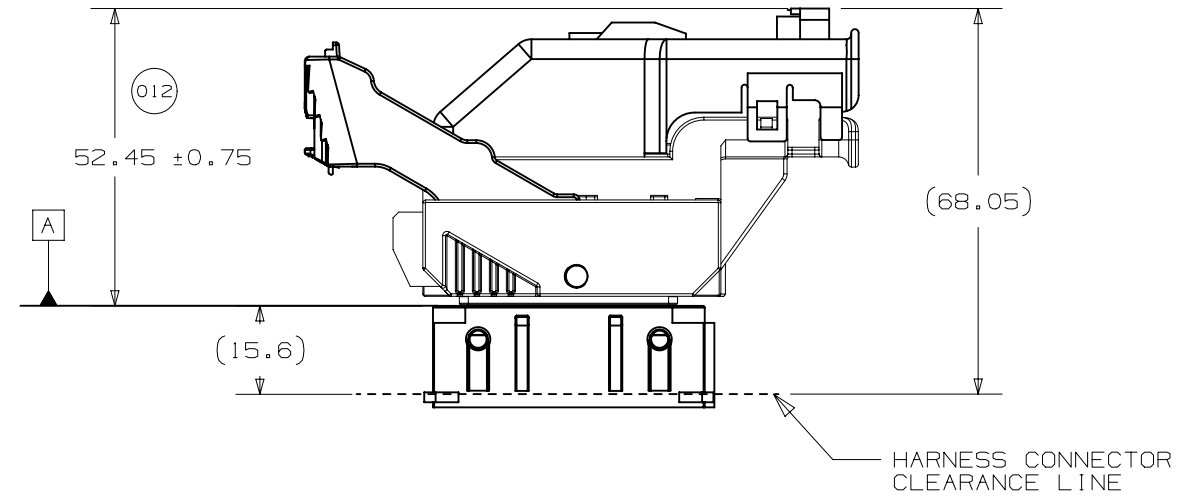
DRAWING NUMBER
 12642694

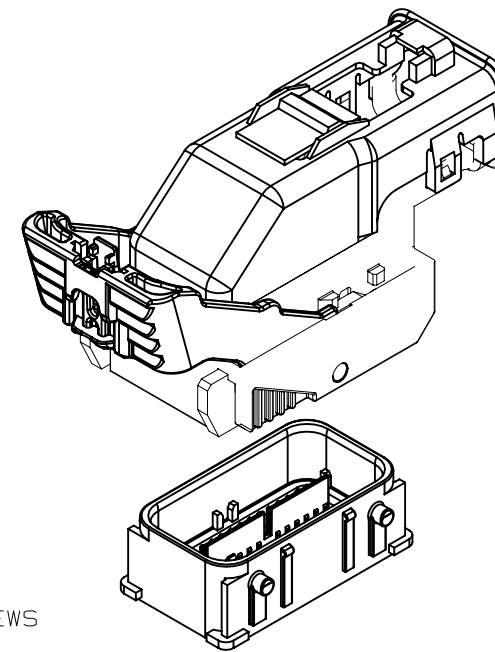
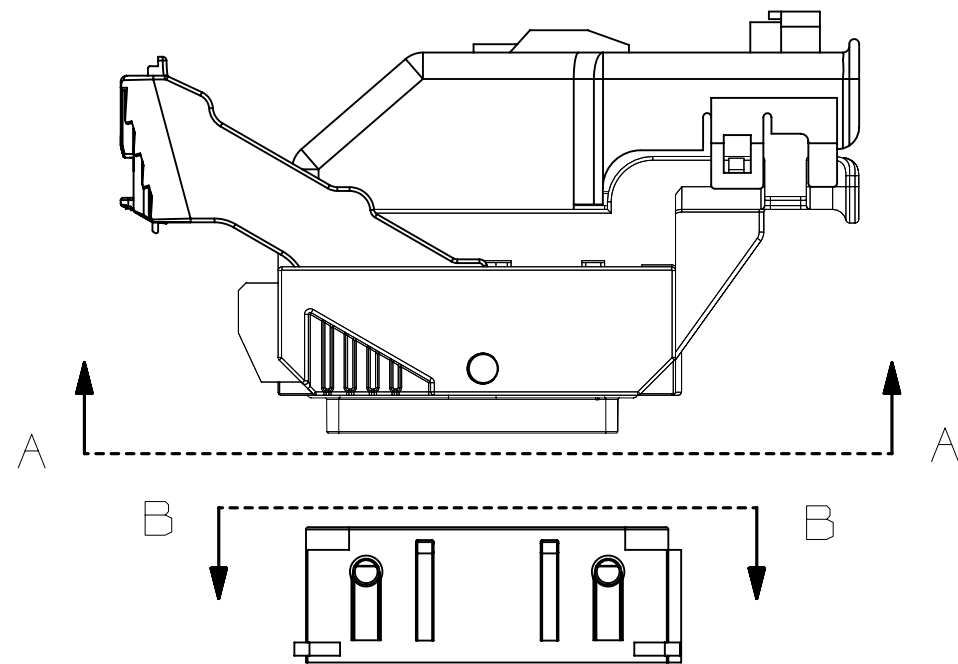
| DWG STATUS | | |
|------------|-----|-----|
| ST | REV | PDI |
| R | 001 | |

PAGE NUMBER
 7 of 22



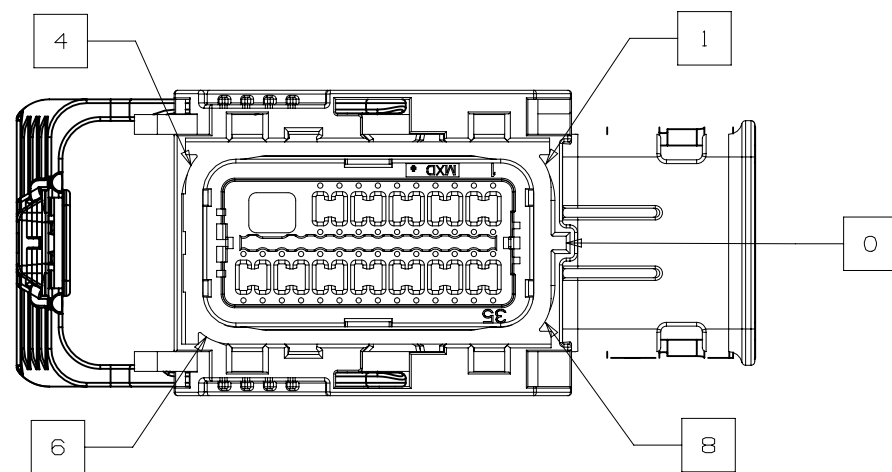




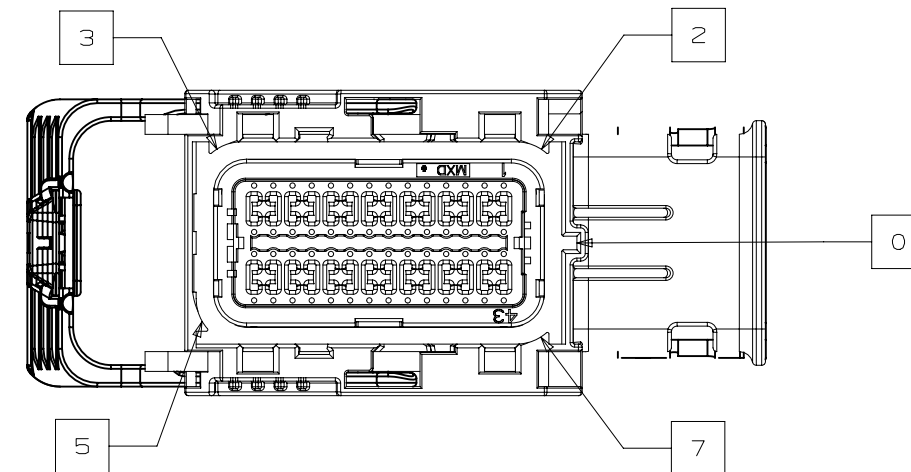


NOTE: REFERENCE THE COMPONENT TABLE FOR KEY OPTIONS AND CONFIGURATIONS

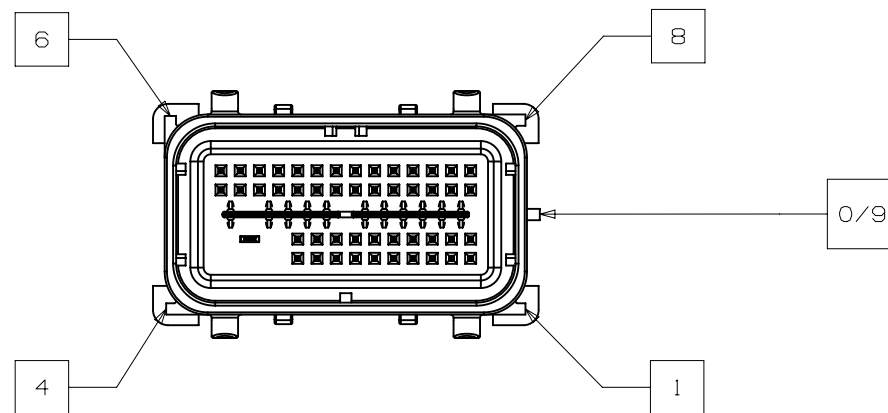
INTERFACE SIDE SHOWN IN ALL SECTION VIEWS



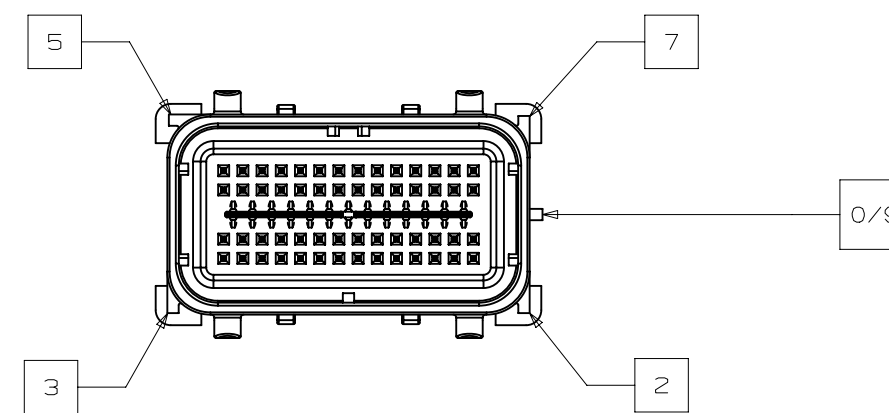
SECTION A-A
KEY OPTION B SHOWN



SECTION A-A
KEY OPTION K SHOWN



SECTION B-B
KEY OPTION B SHOWN



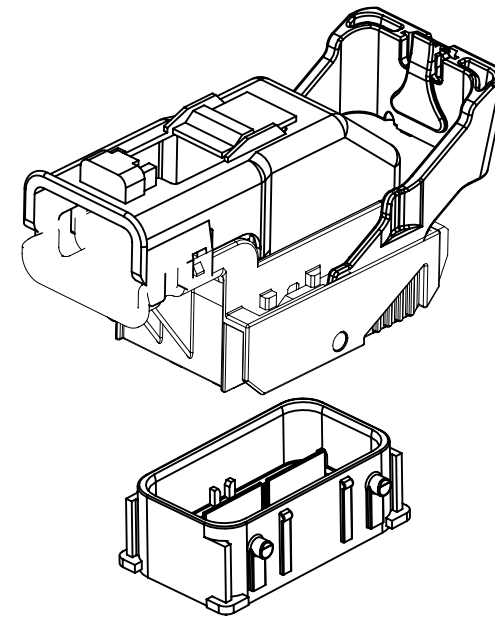
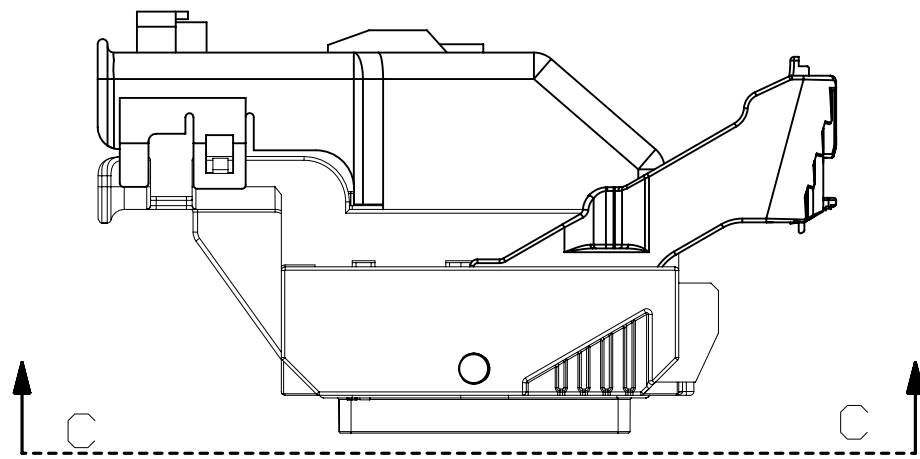
SECTION B-B
KEY OPTION K SHOWN



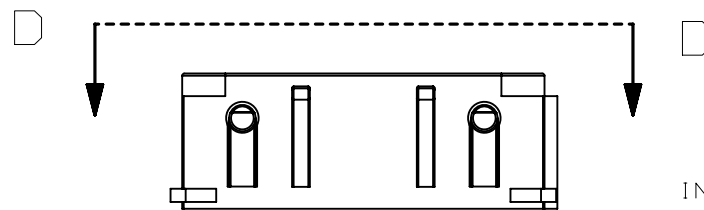
PAGE TITLE
KEY ID REF - WIRE DRESS OPTION 0

DRAWING NUMBER
12642694

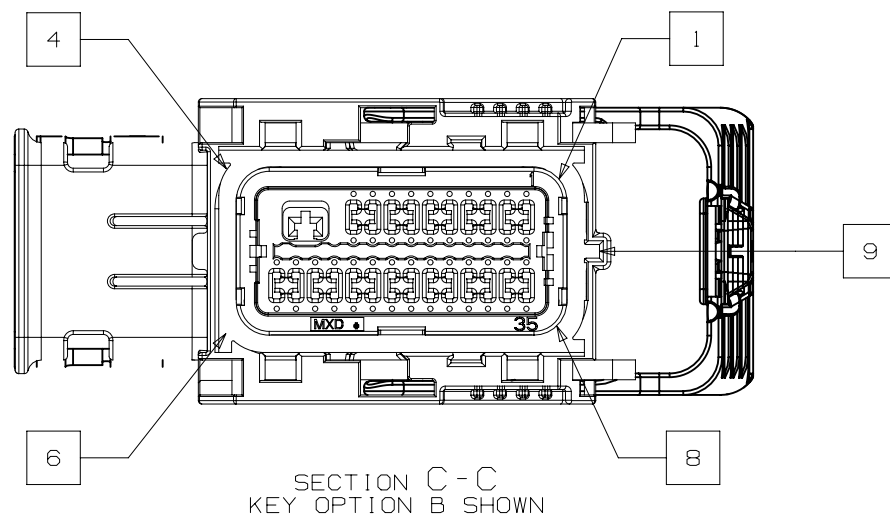
| DWG STATUS | | | PAGE NUMBER | |
|------------|-----|-----|-------------|-------|
| ST | REV | PD1 | 11 | OF 22 |
| R | 001 | | | |



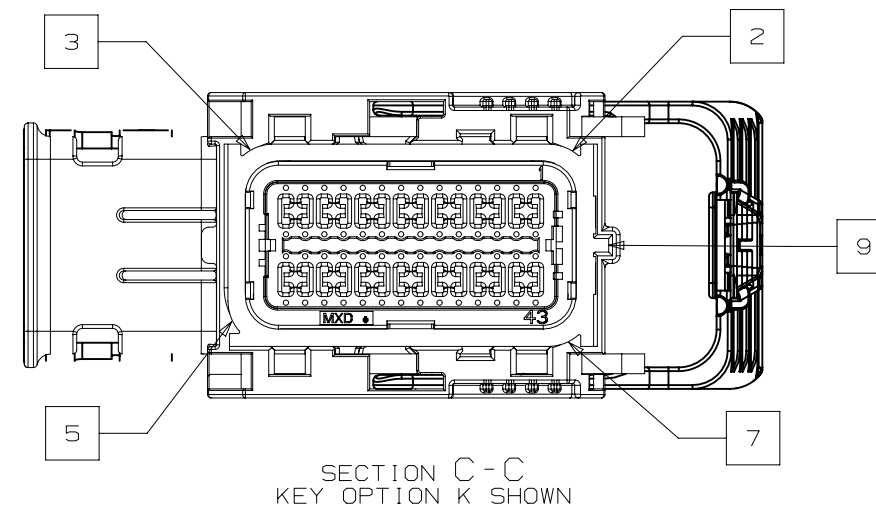
NOTE: REFERENCE THE COMPONENT TABLE FOR KEY OPTIONS AND CONFIGURATIONS



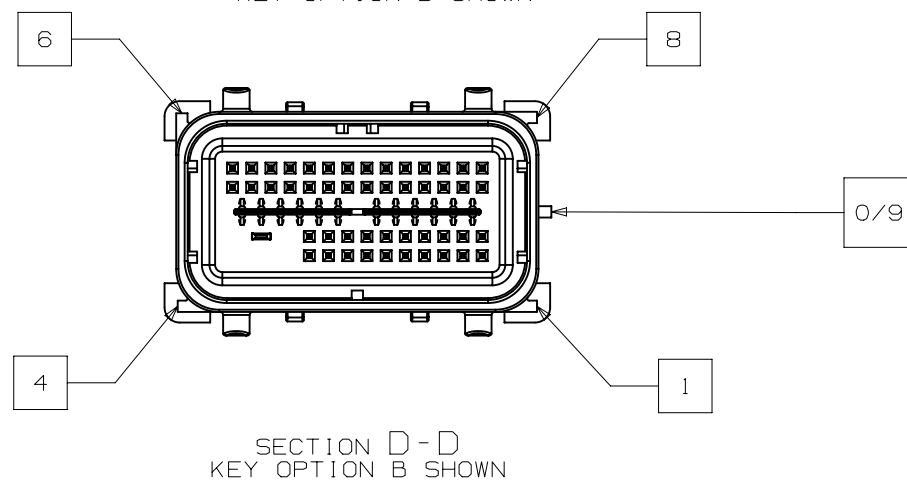
INTERFACE SIDE SHOWN ON ALL SECTION VIEWS



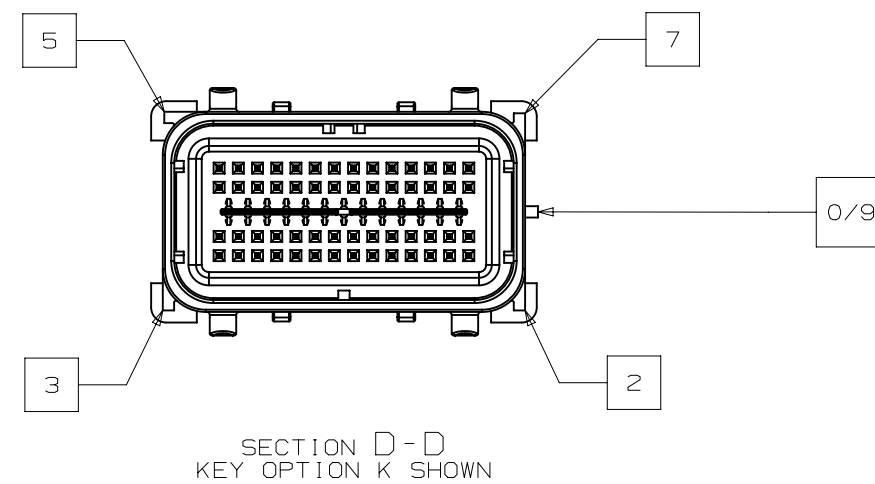
SECTION C-C
KEY OPTION B SHOWN



SECTION C-C
KEY OPTION K SHOWN



SECTION D-D
KEY OPTION B SHOWN



SECTION D-D
KEY OPTION K SHOWN

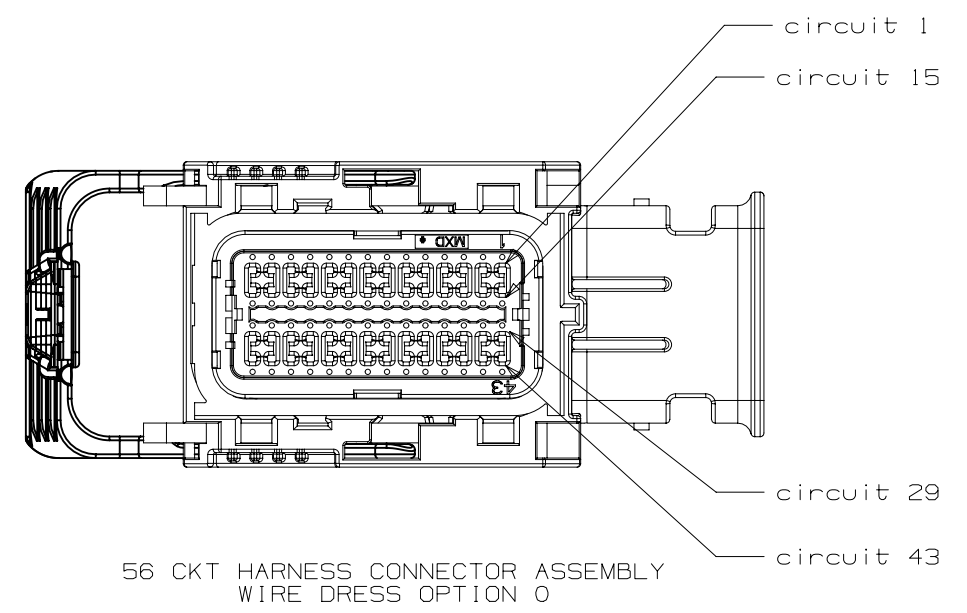
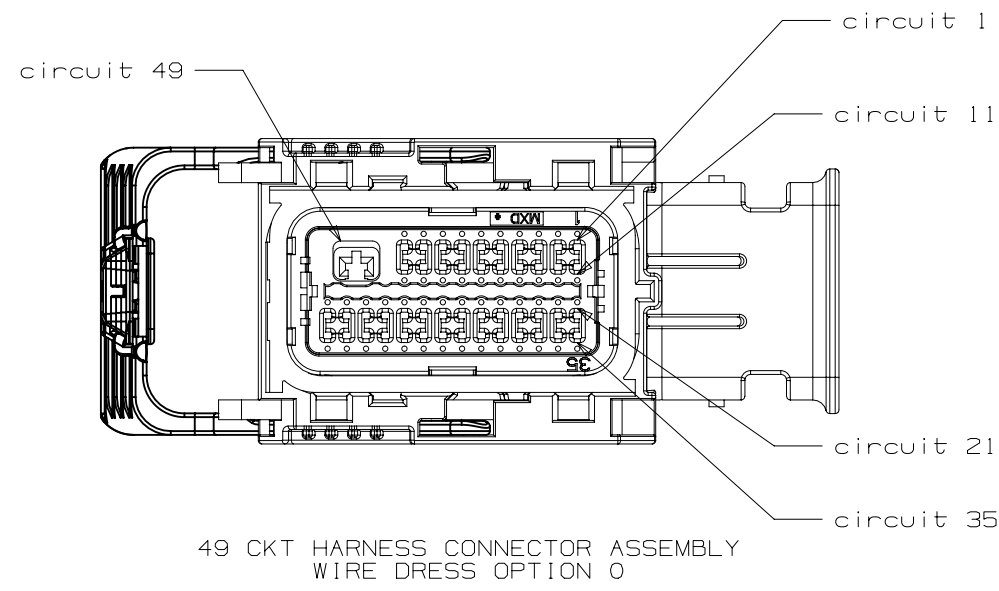


PAGE TITLE
KEY ID REF - WIRE DRESS OPTION 9

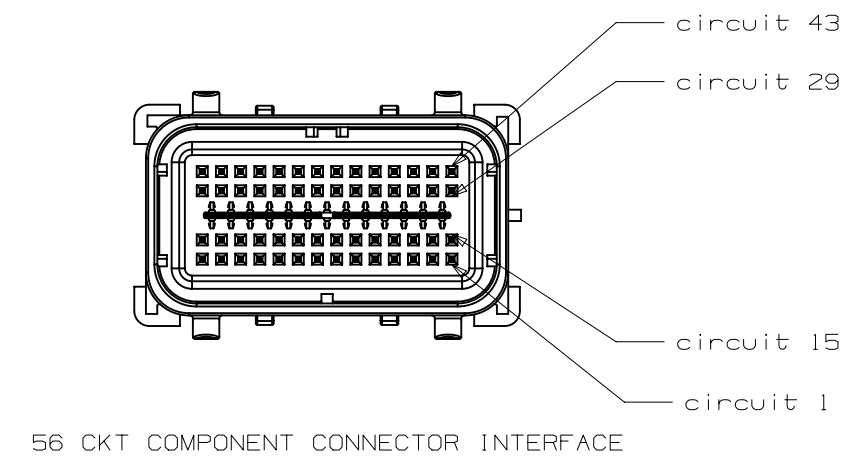
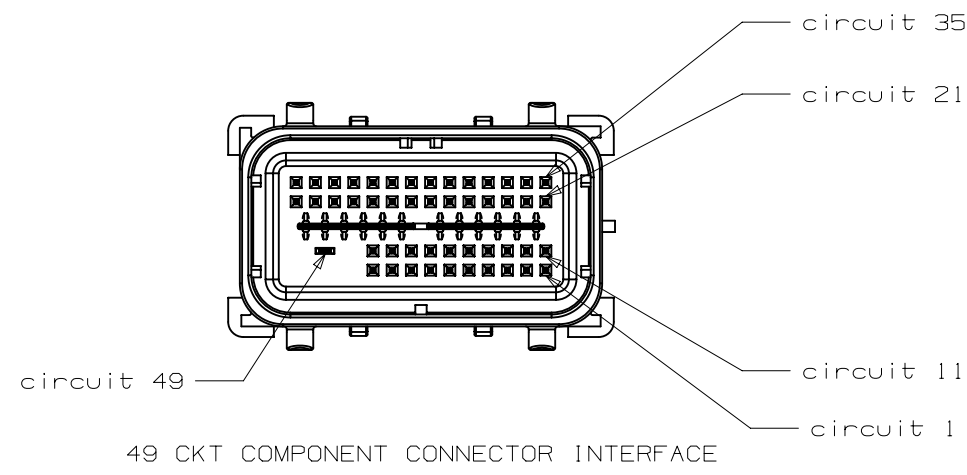
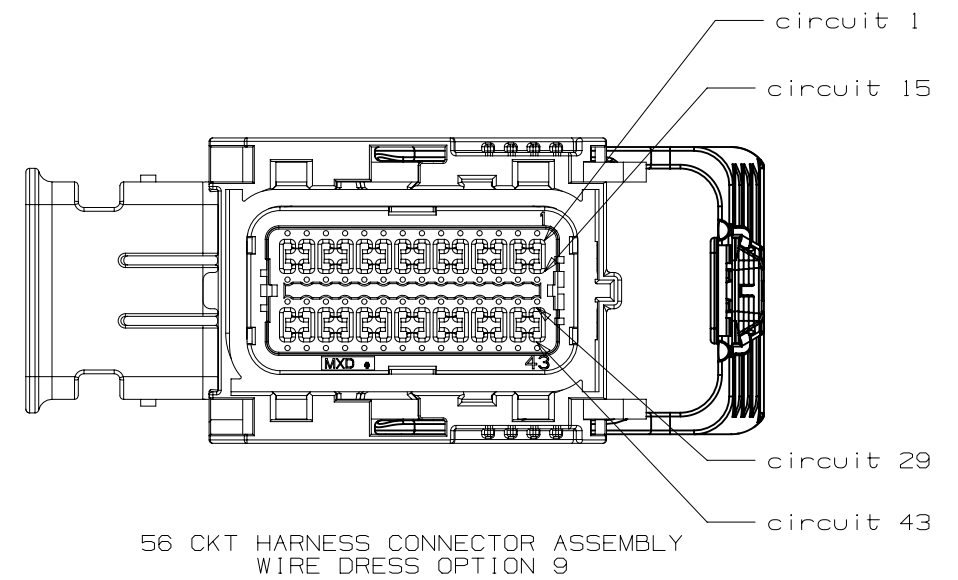
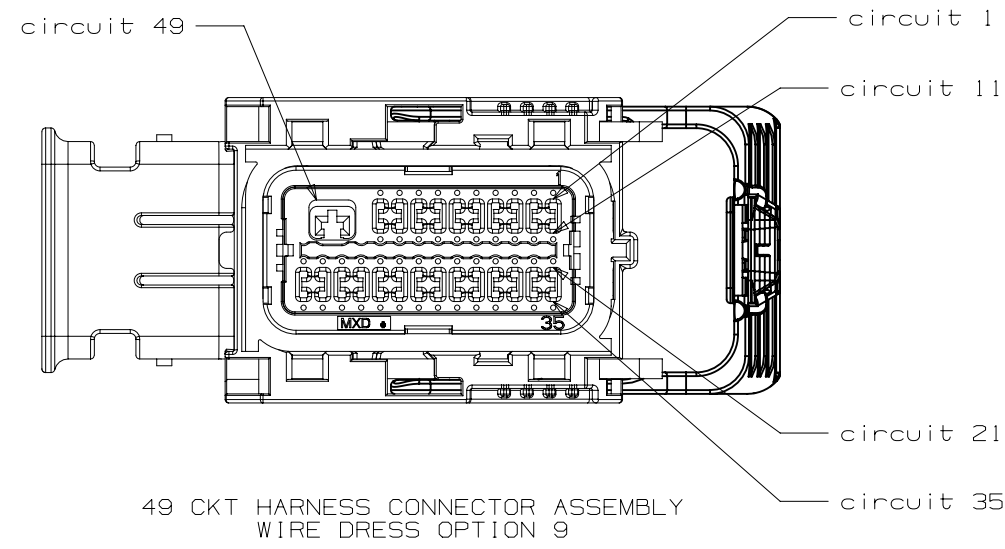
DRAWING NUMBER
12642694

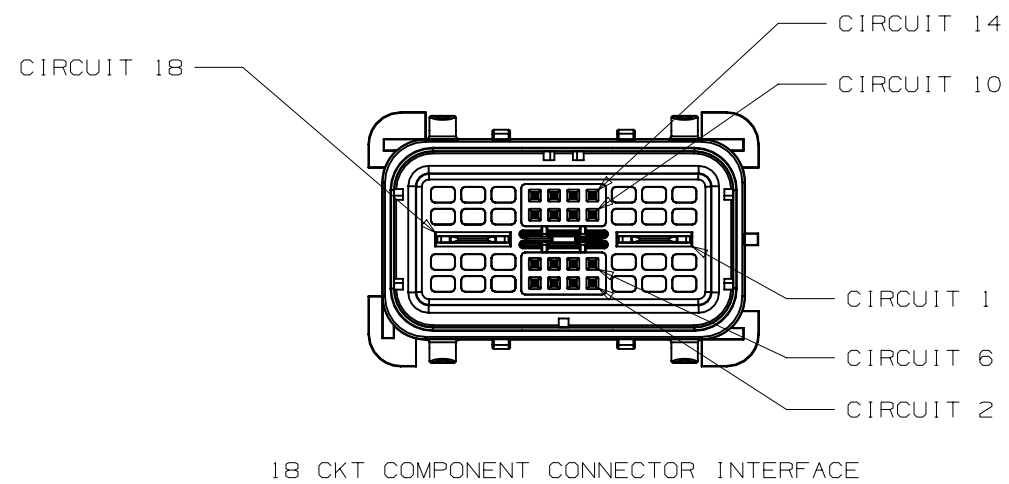
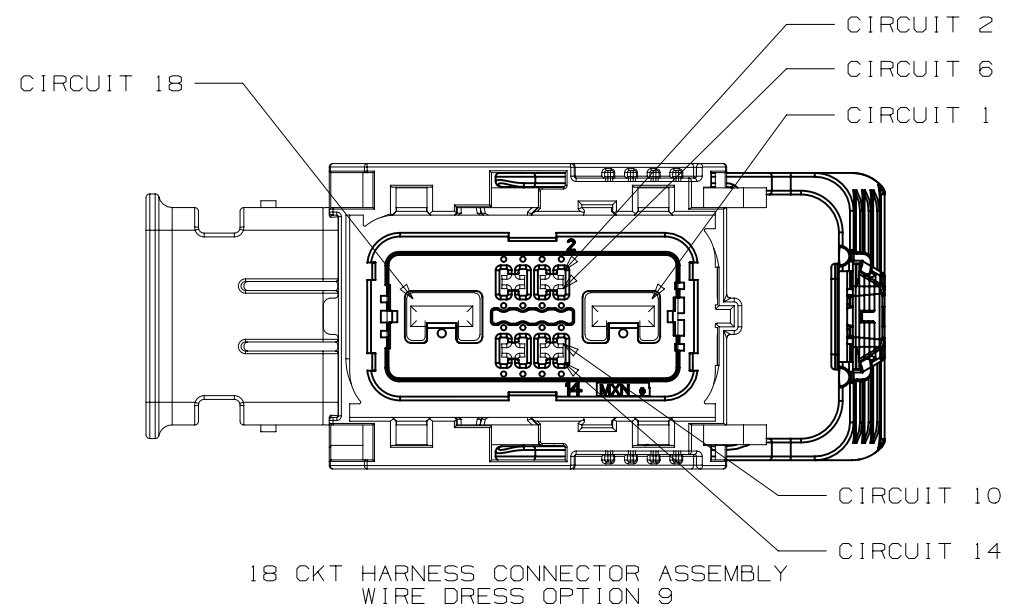
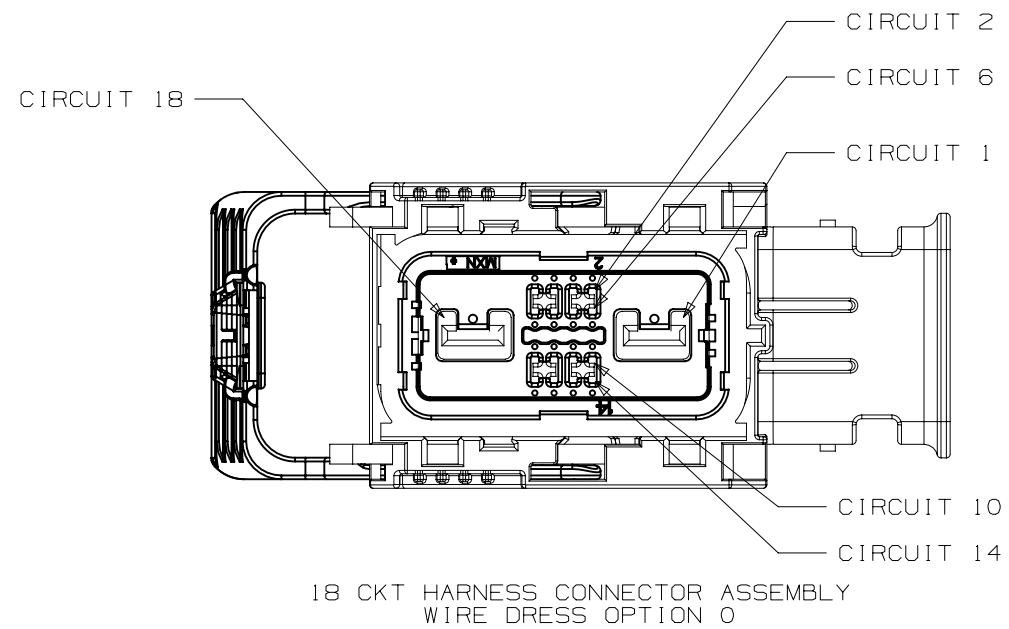
| DWG STATUS | | |
|------------|-----|-----|
| ST | REV | PD1 |
| R | 001 | |

PAGE NUMBER
12 OF 22



INTERFACE SIDE SHOWN ON ALL VIEWS





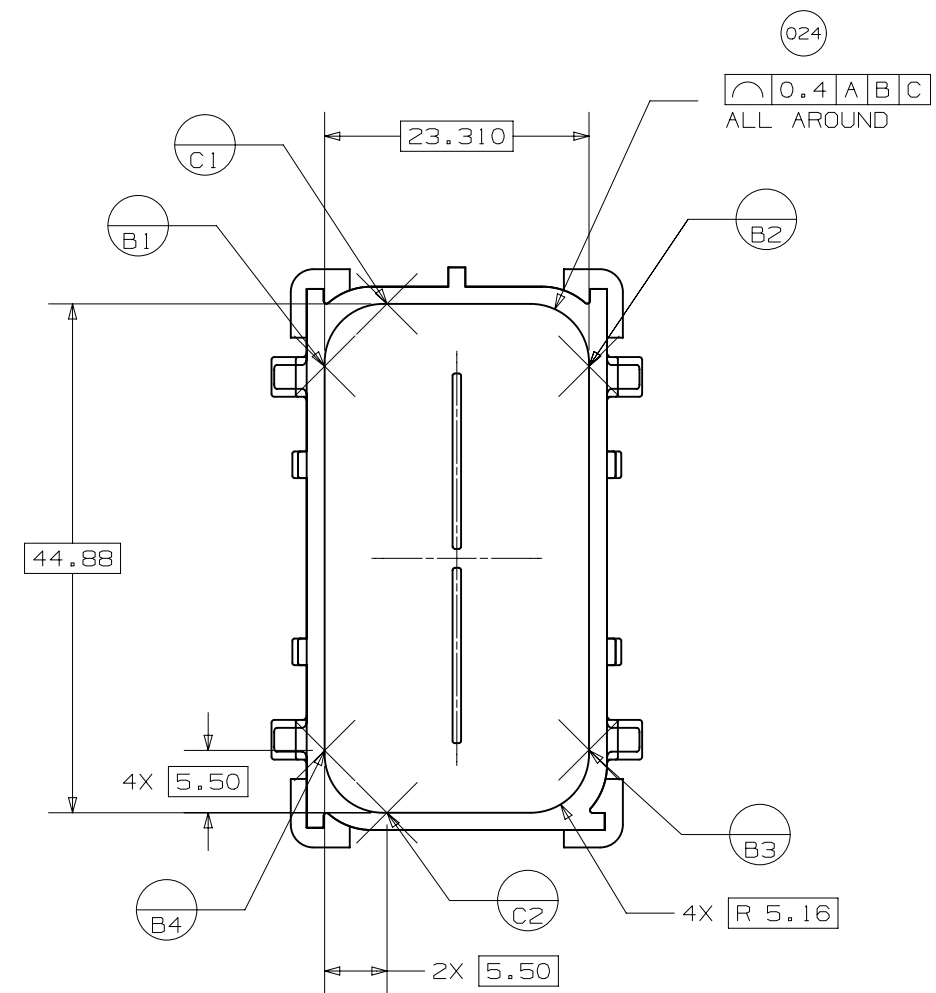
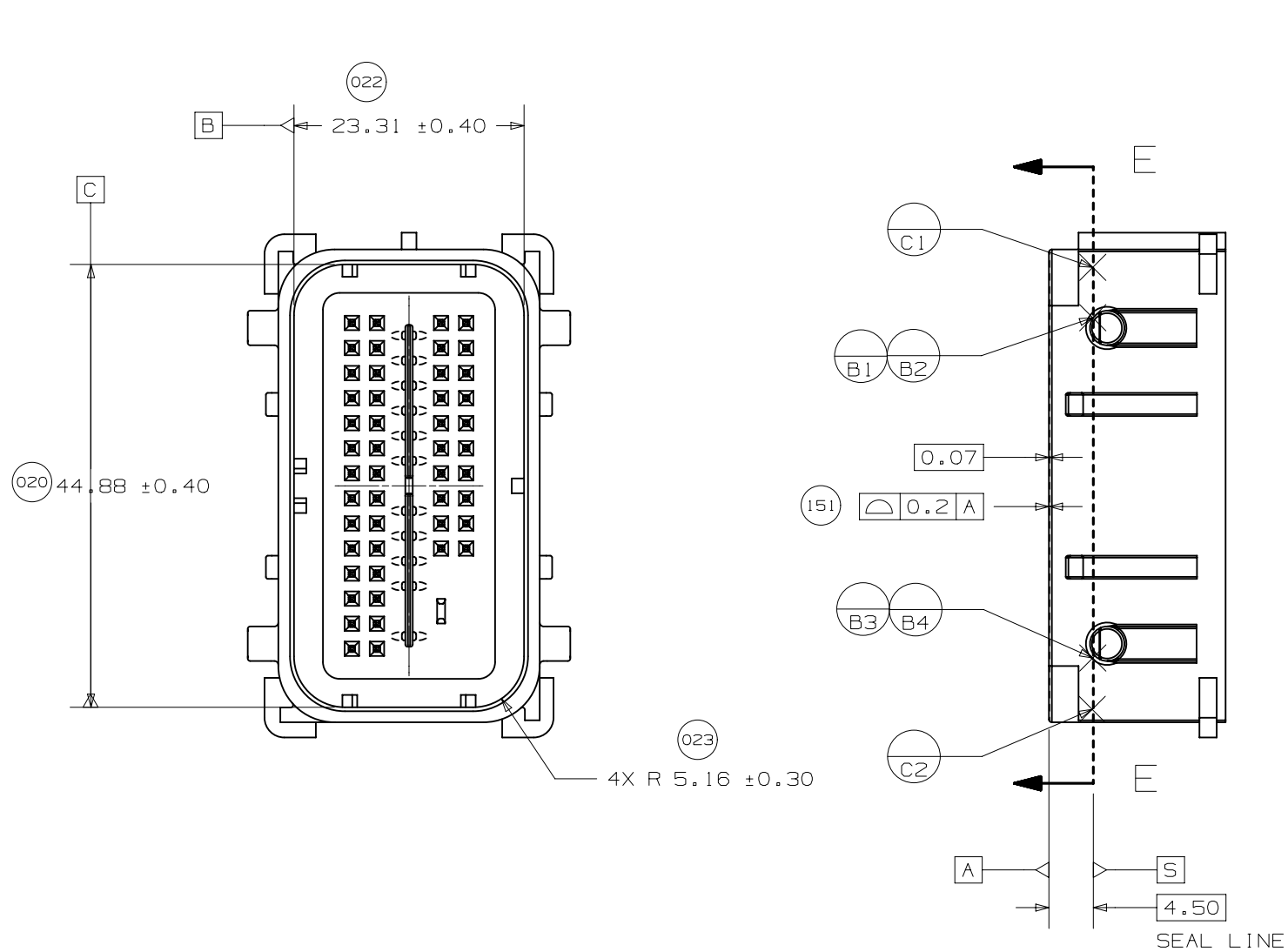
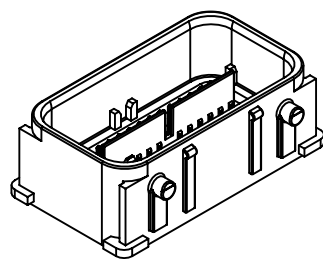
INTERFACE SIDE SHOWN ON ALL VIEWS



PAGE TITLE
CIRCUIT CONFIGURATIONS

DRAWING NUMBER
12642694

| DWG STATUS | | | PAGE NUMBER | |
|------------|-----|-----|-------------|-------|
| ST | REV | PDI | 14 | OF 22 |
| R | 001 | | | |



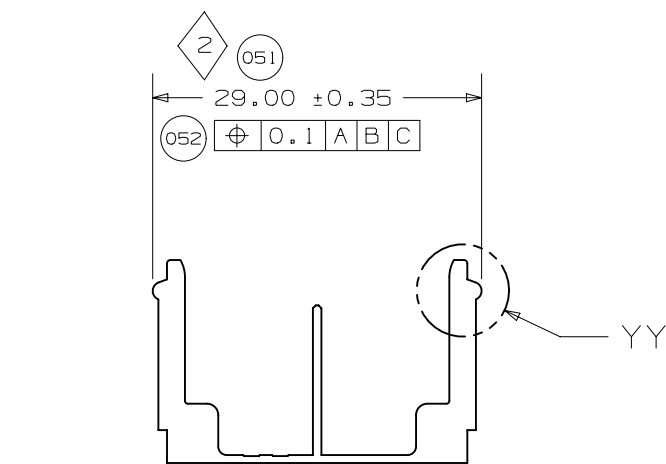
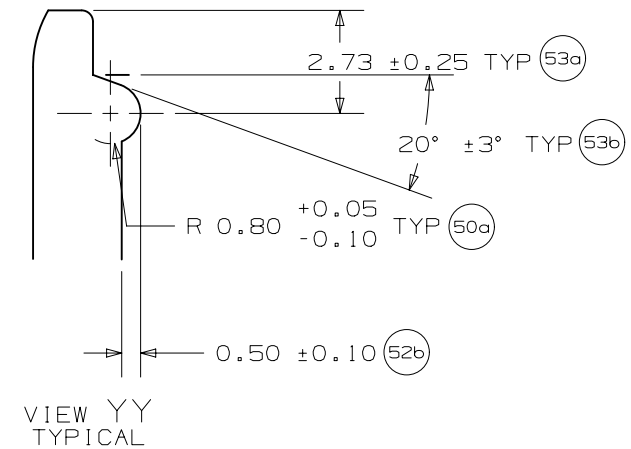
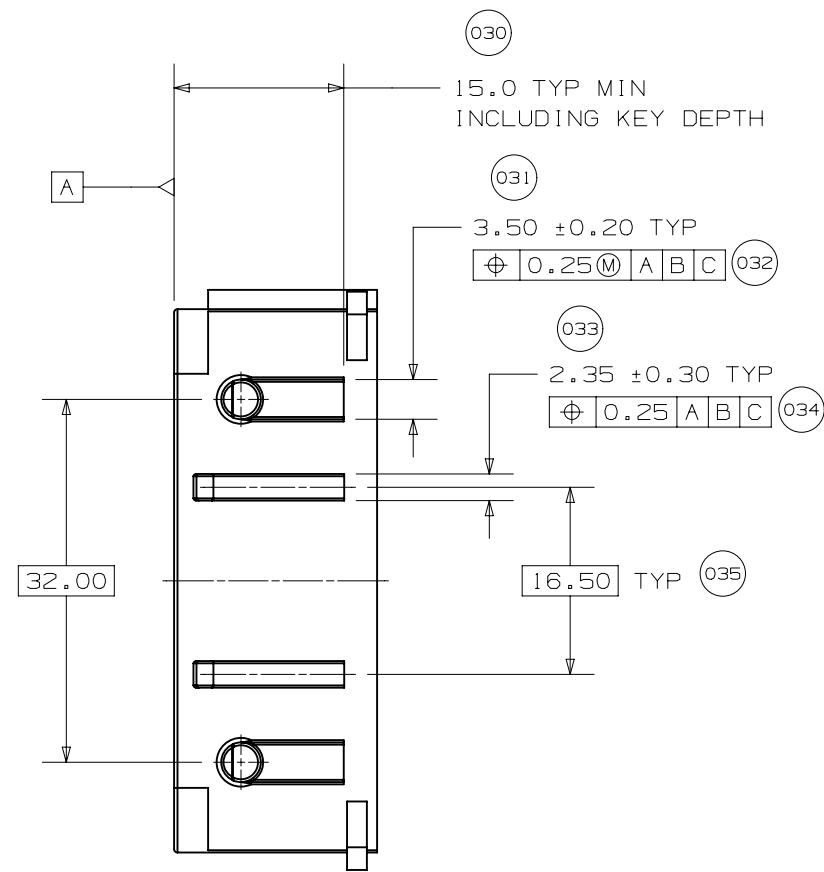
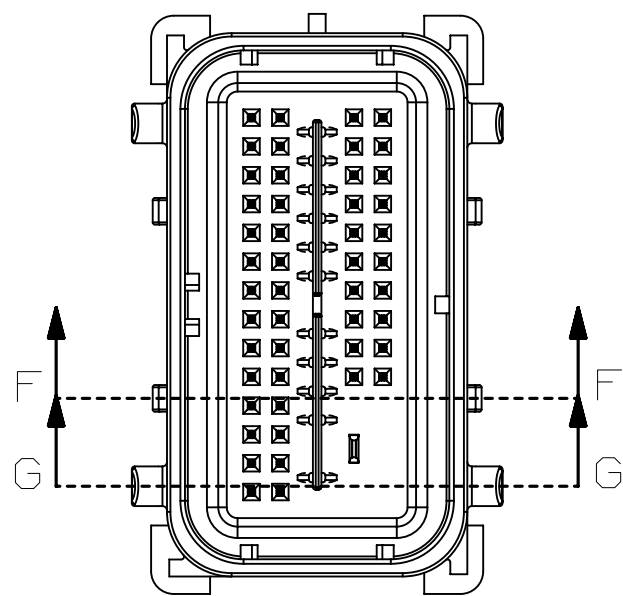
UNLESS SPECIFIED, TOLERANCE OF THE DEVICE INTERFACE TO BE $\nabla 0.13 \text{ A B C}$



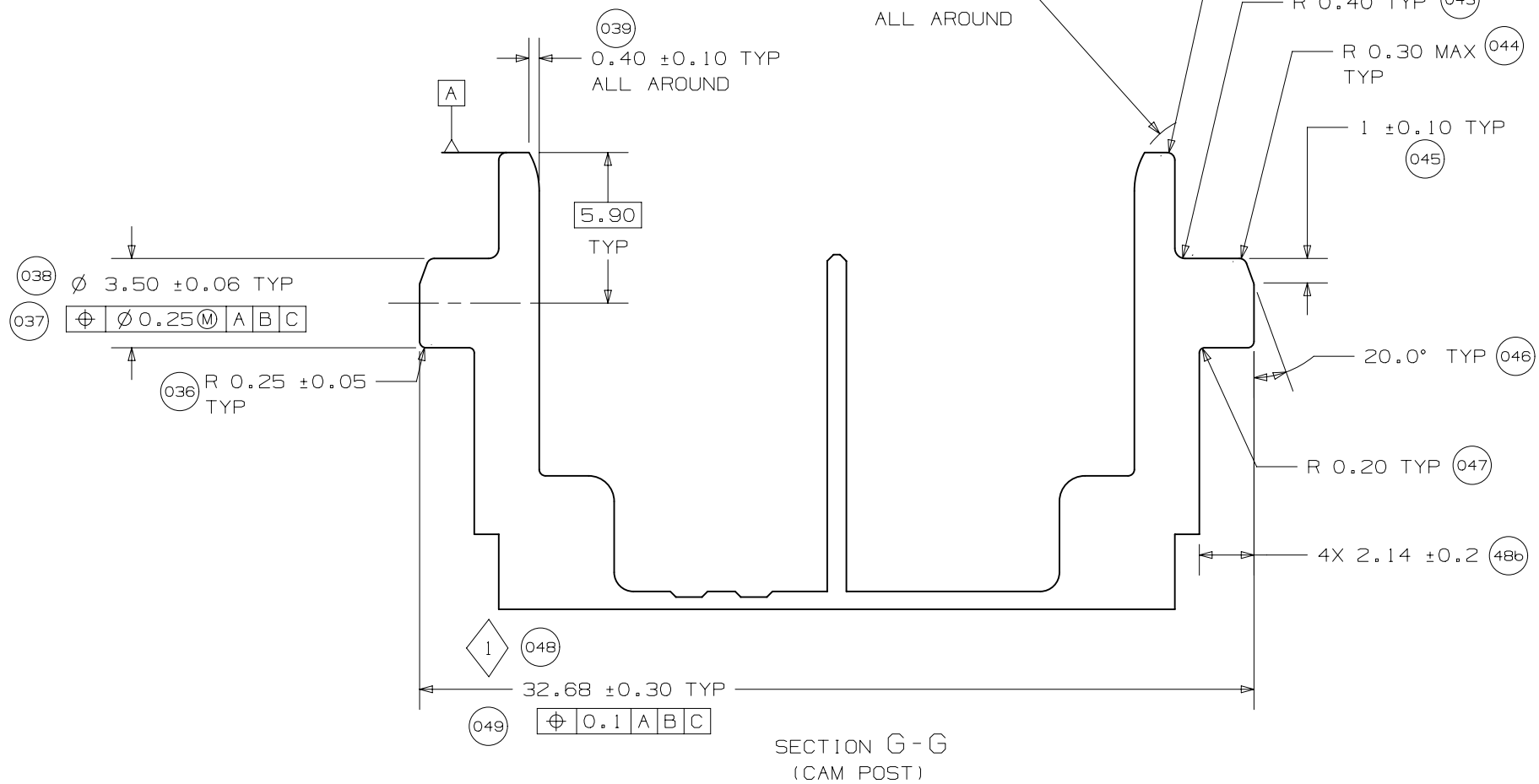
PAGE TITLE
COMPONENT CONNECTOR INTERFACE

DRAWING NUMBER
12642694

| DWG STATUS | | | PAGE NUMBER |
|------------|-----|-----|-------------|
| ST | REV | PD1 | |
| R | 001 | | 15 of 22 |

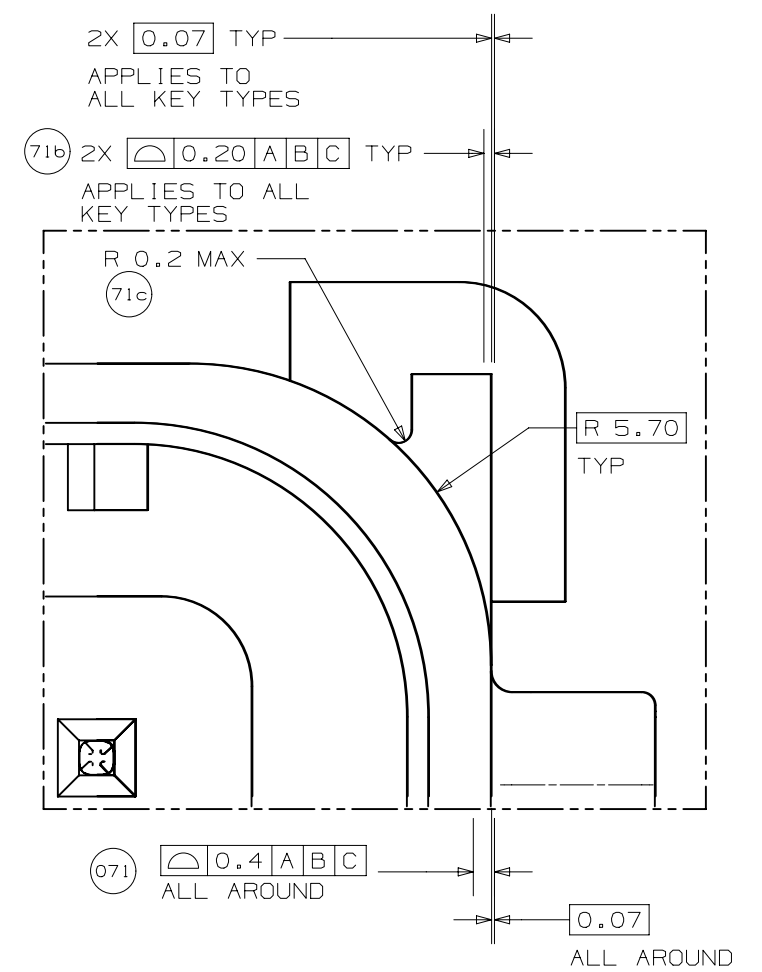
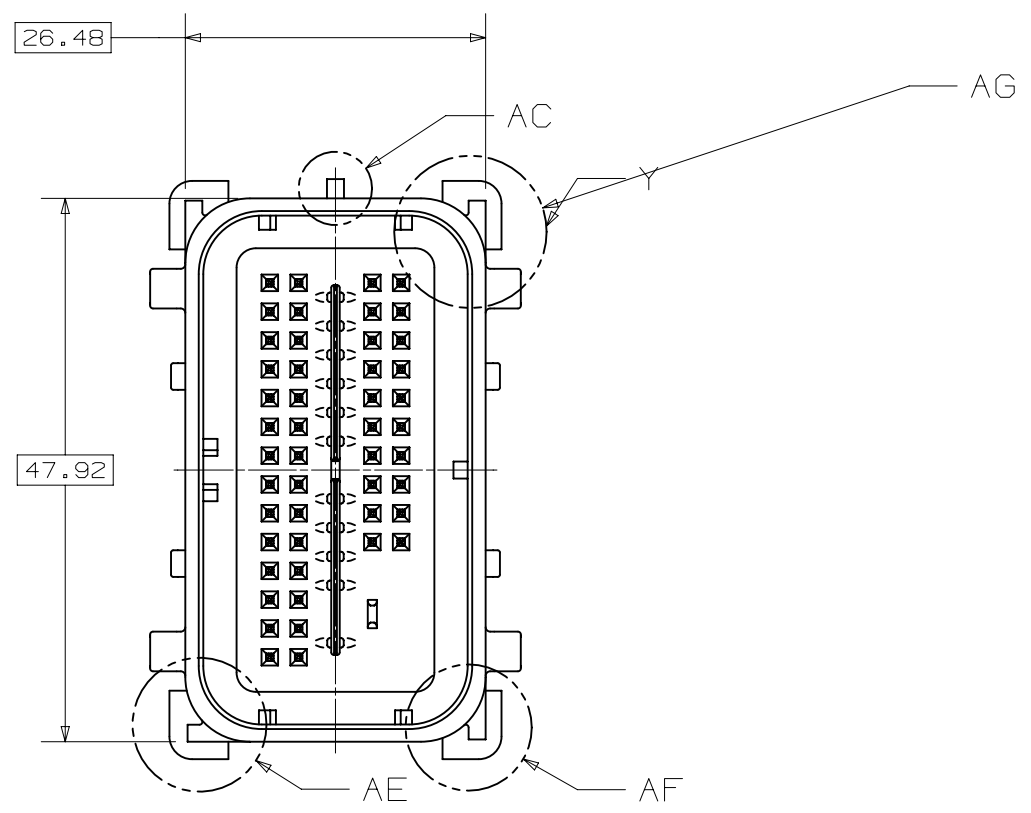
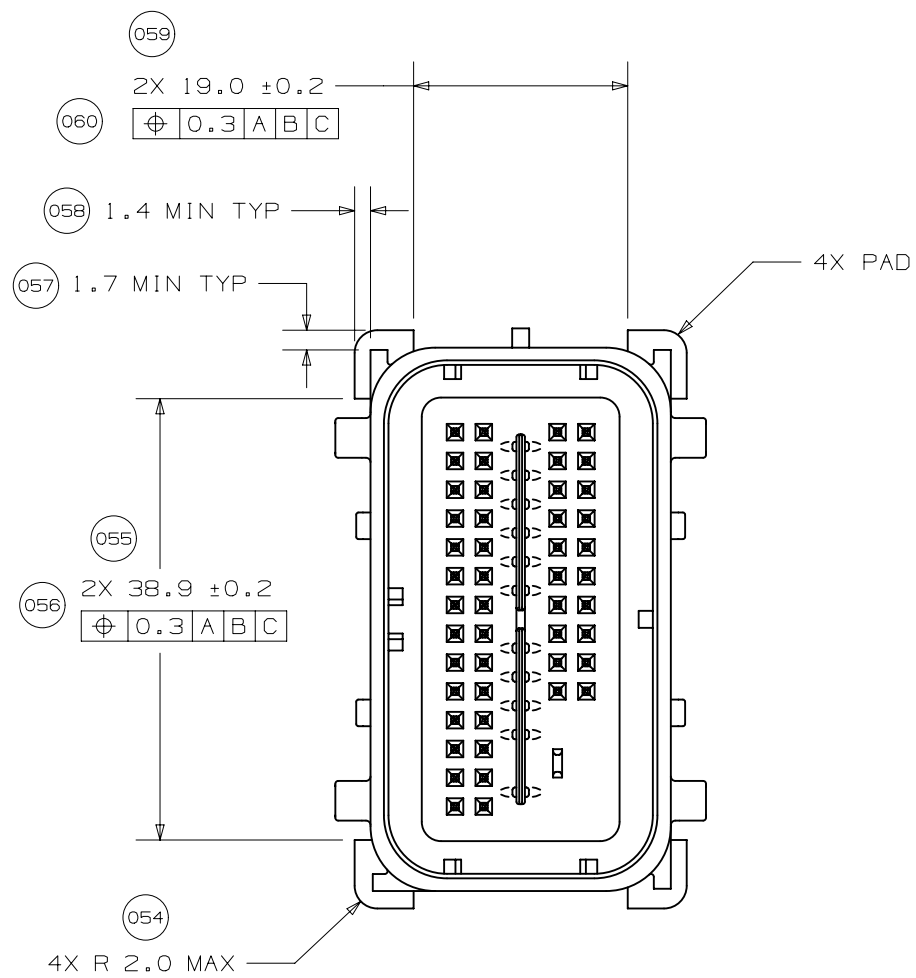


SECTION F - F
(RELEASE FEATURE)

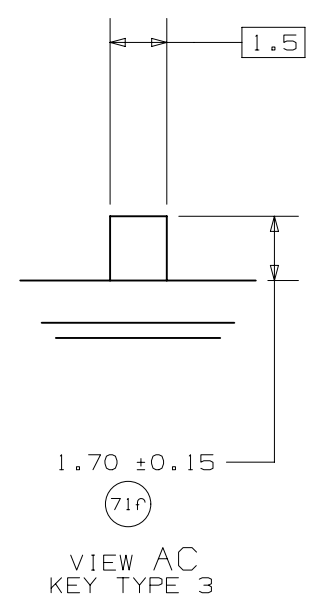
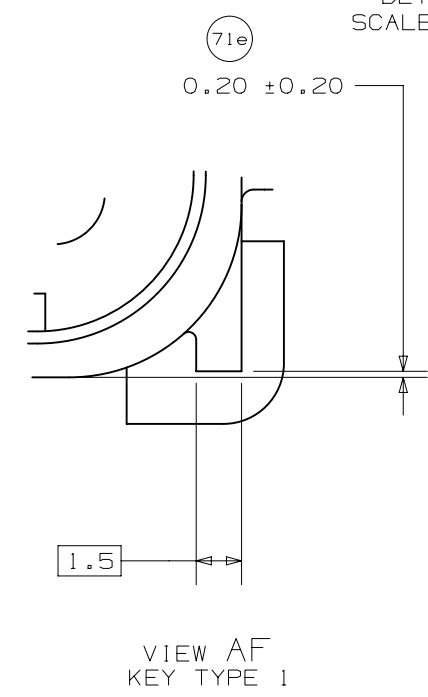
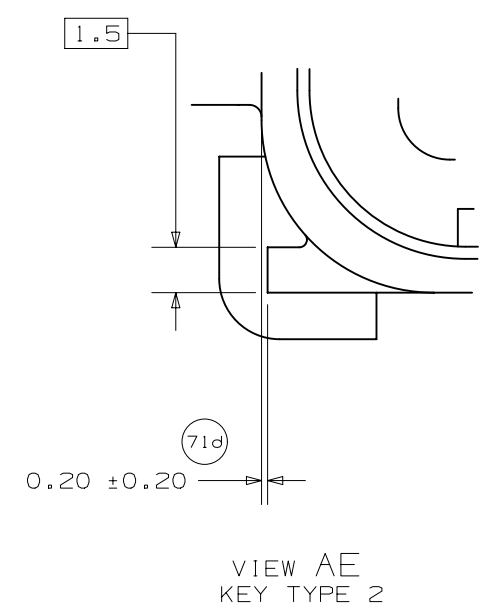
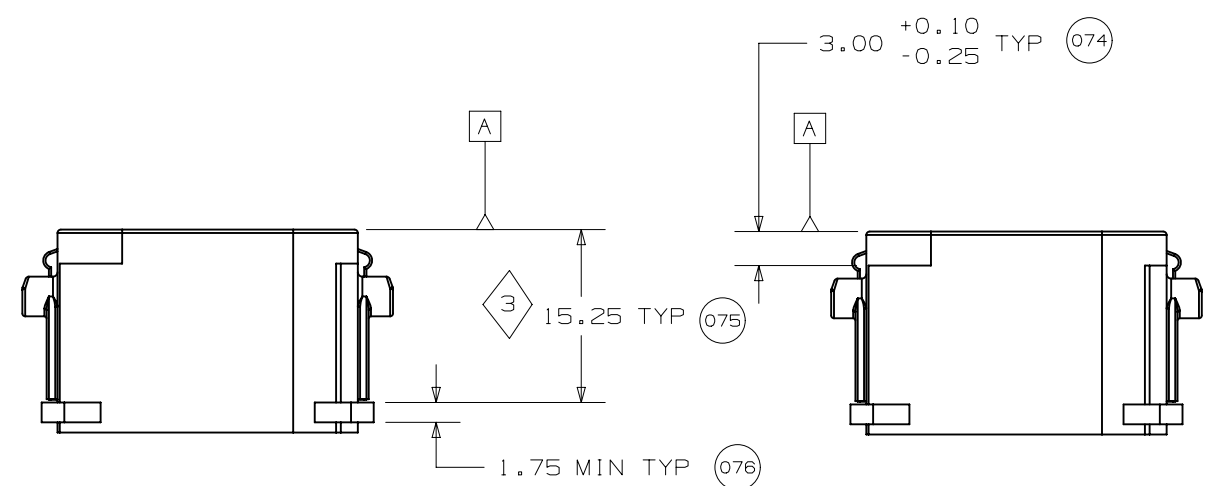


SECTION G - G
(CAM POST)





DETAIL Y
SCALE 7:1

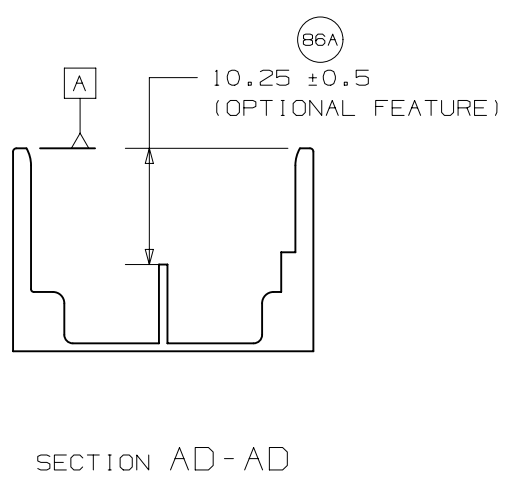
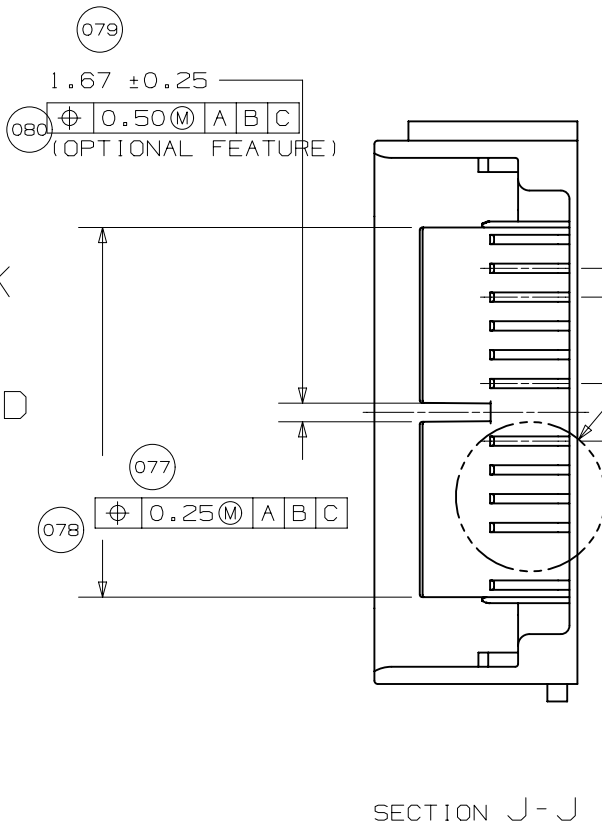
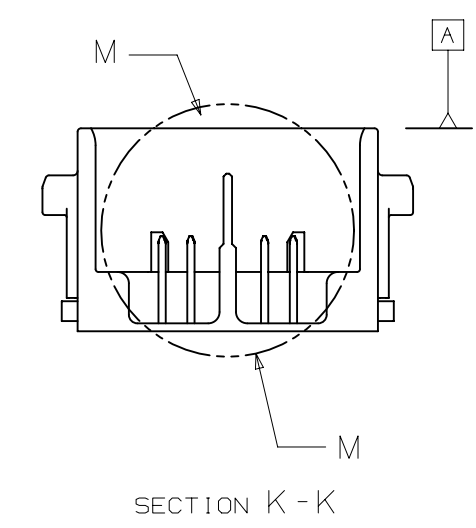
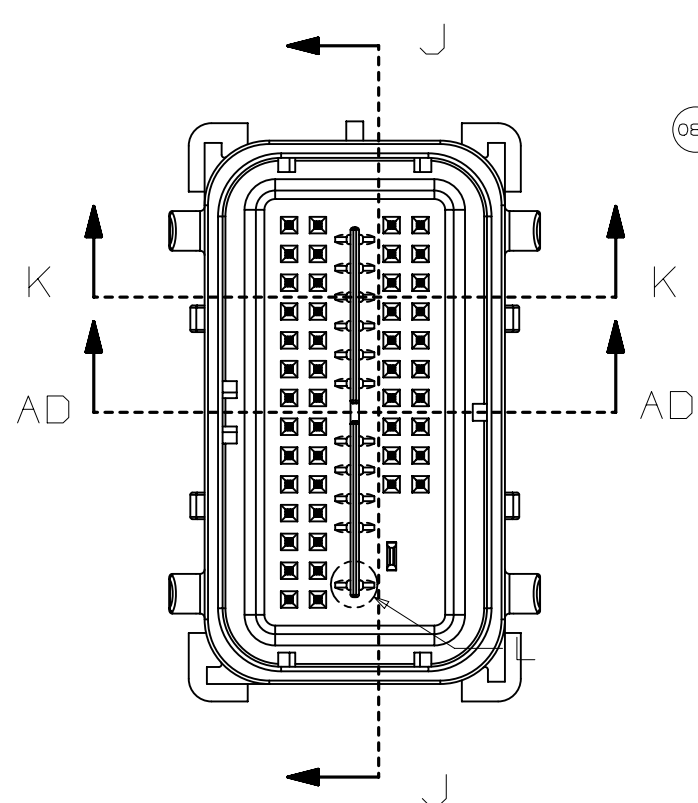


PAGE TITLE
COMPONENT CONNECTOR INTERFACE

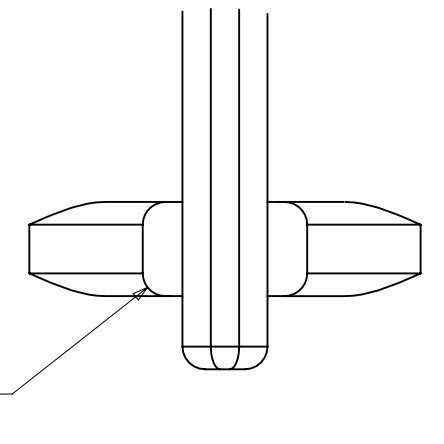
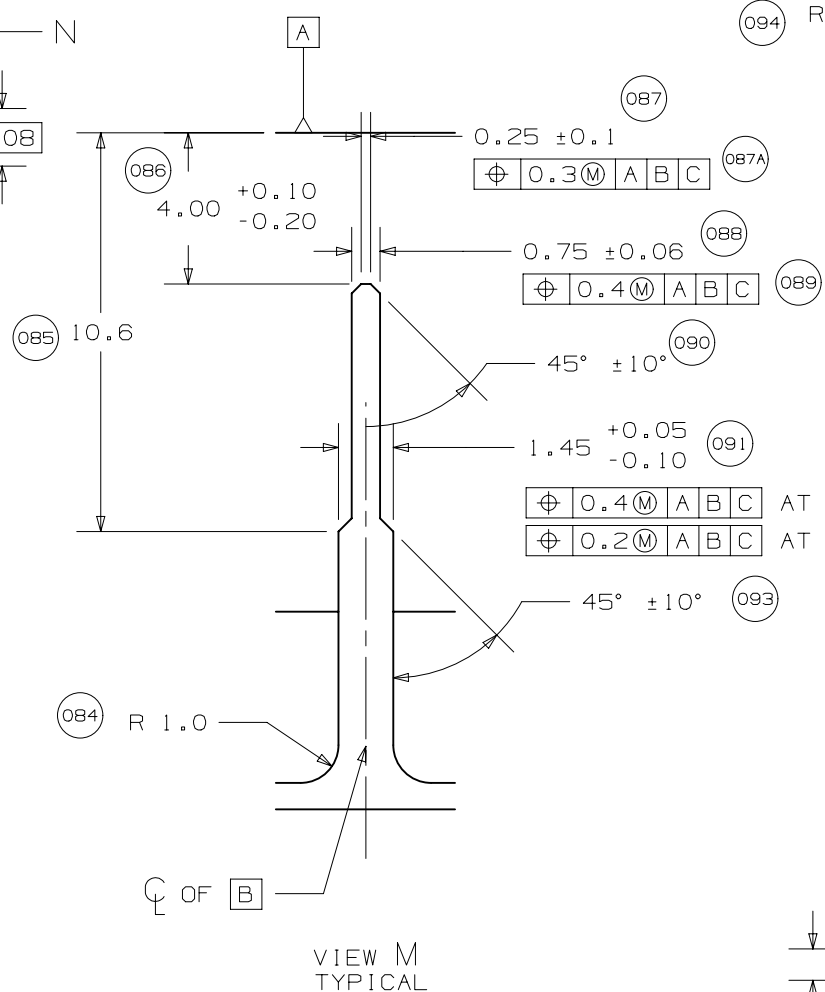
DRAWING NUMBER
12642694

| DWG STATUS | | |
|------------|-----|-----|
| ST | REV | PD1 |
| R | 001 | |

PAGE NUMBER
17 OF 22



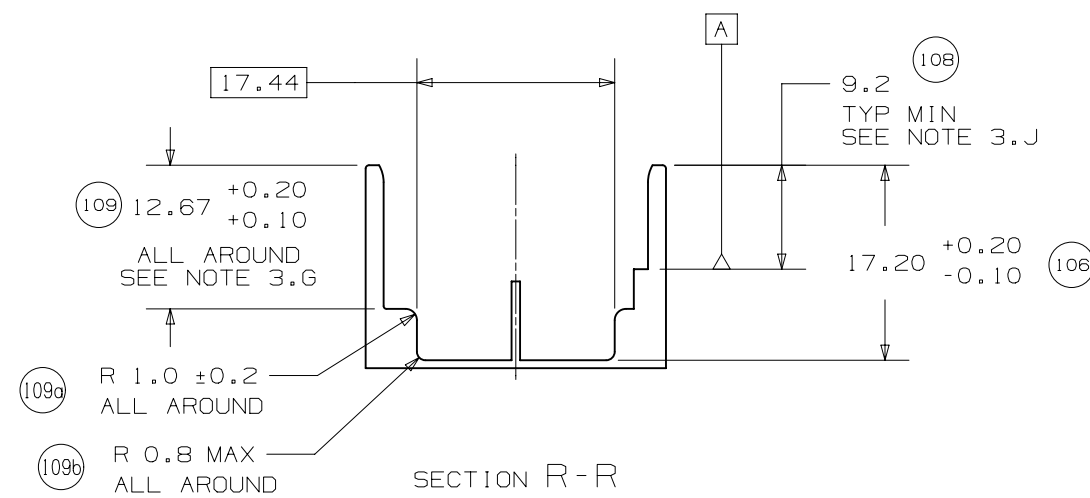
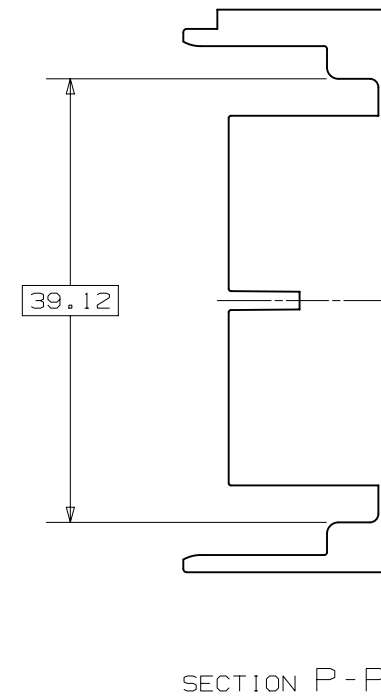
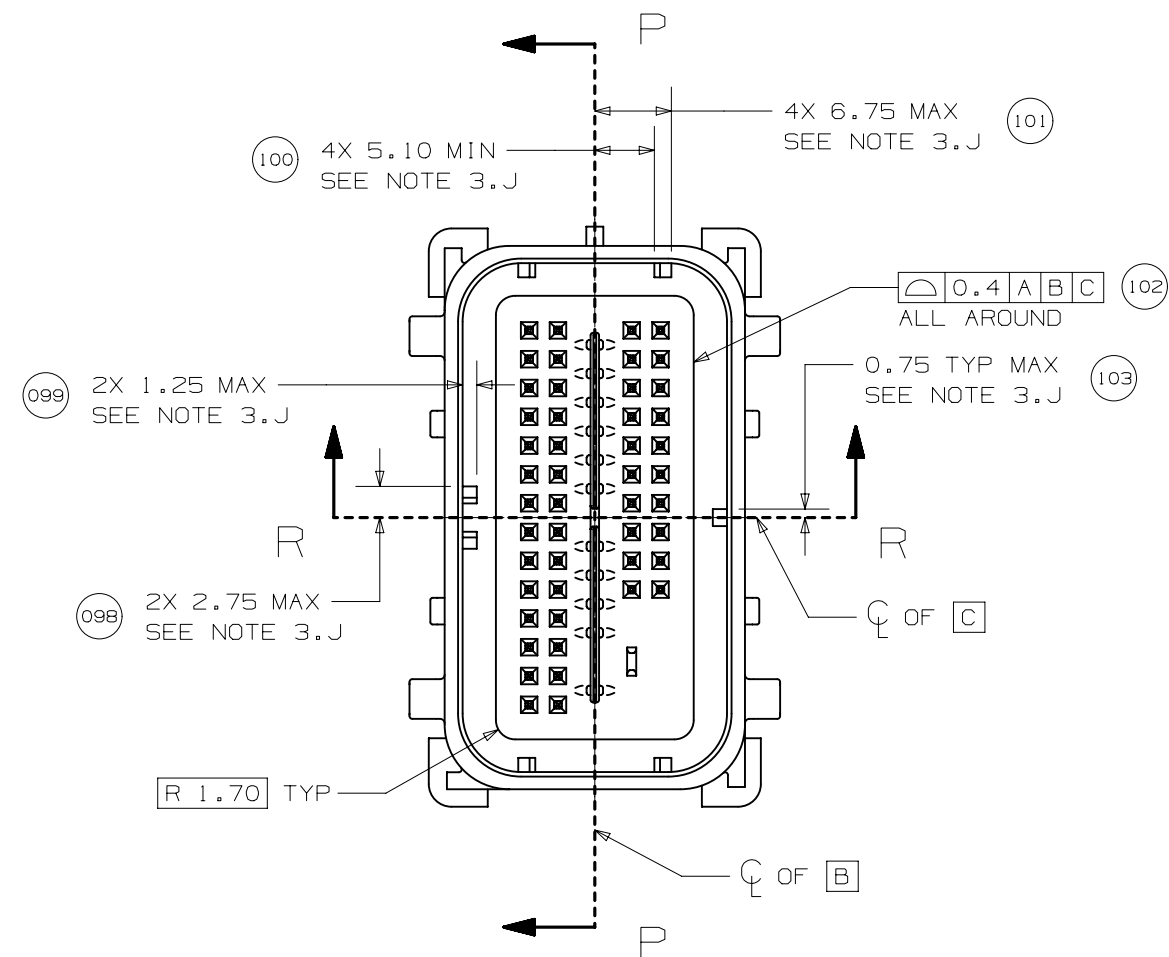
| CKT | DIM 077 |
|-------------|-------------------|
| 49 / 56 CKT | 32.60 +0.10/-0.80 |
| 18 CKT | 10.04 +0.10/-0.80 |

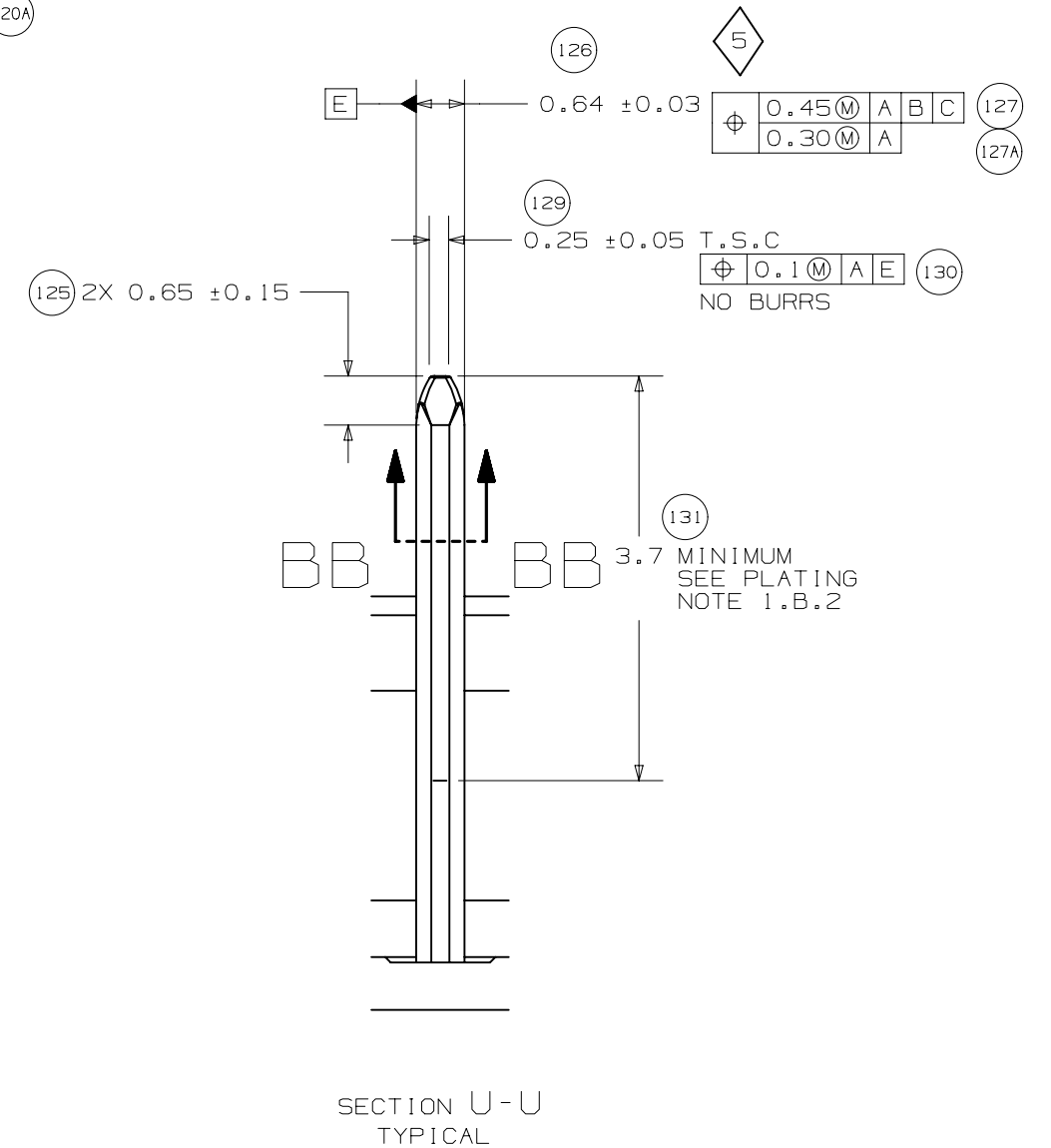
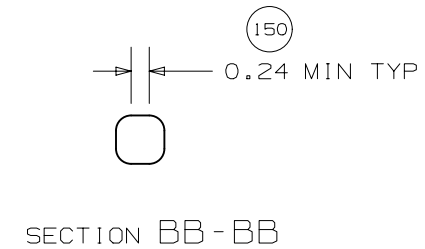
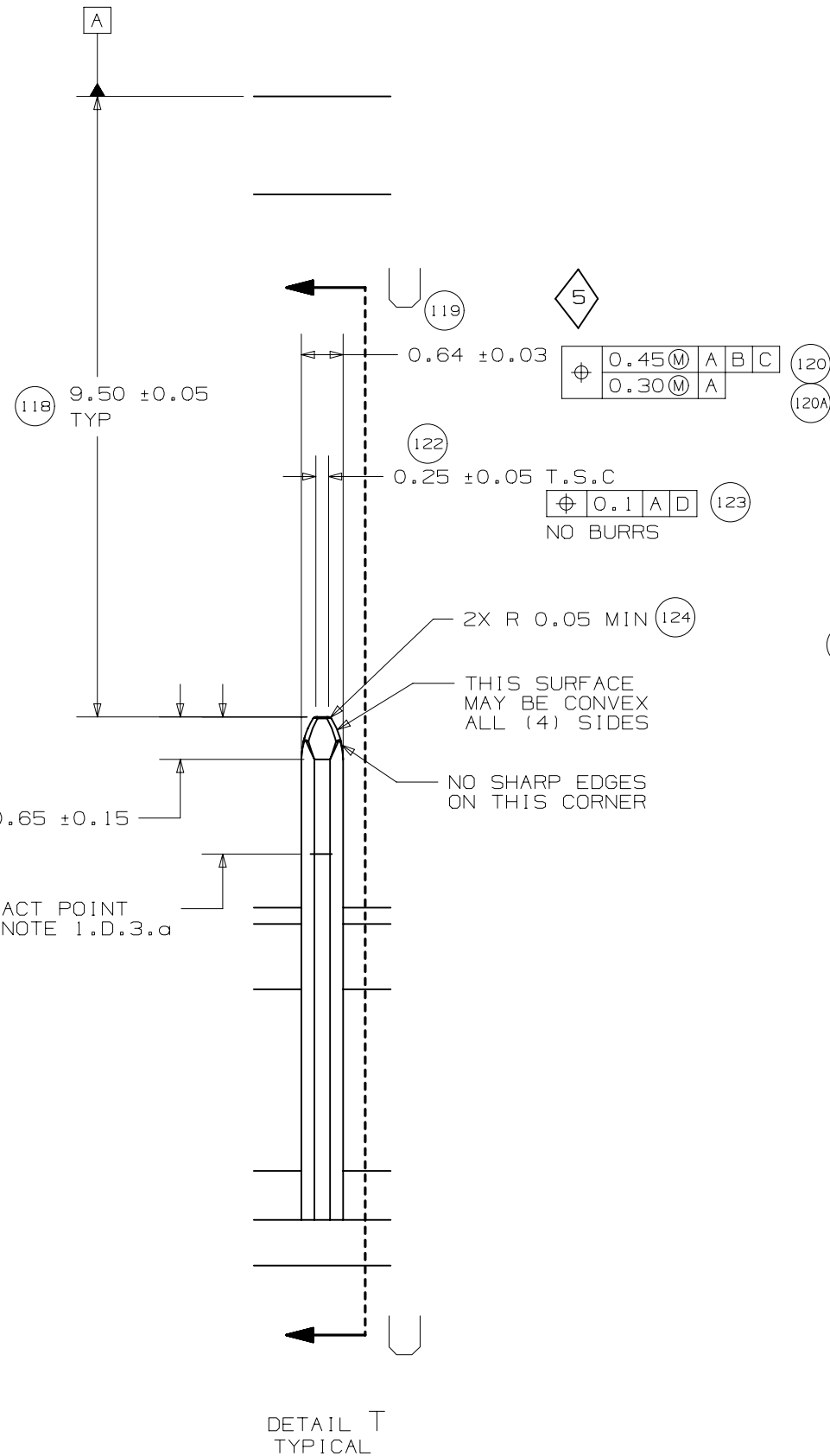
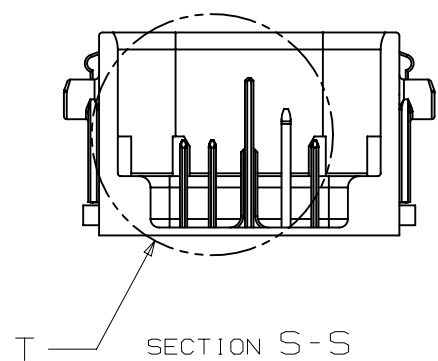
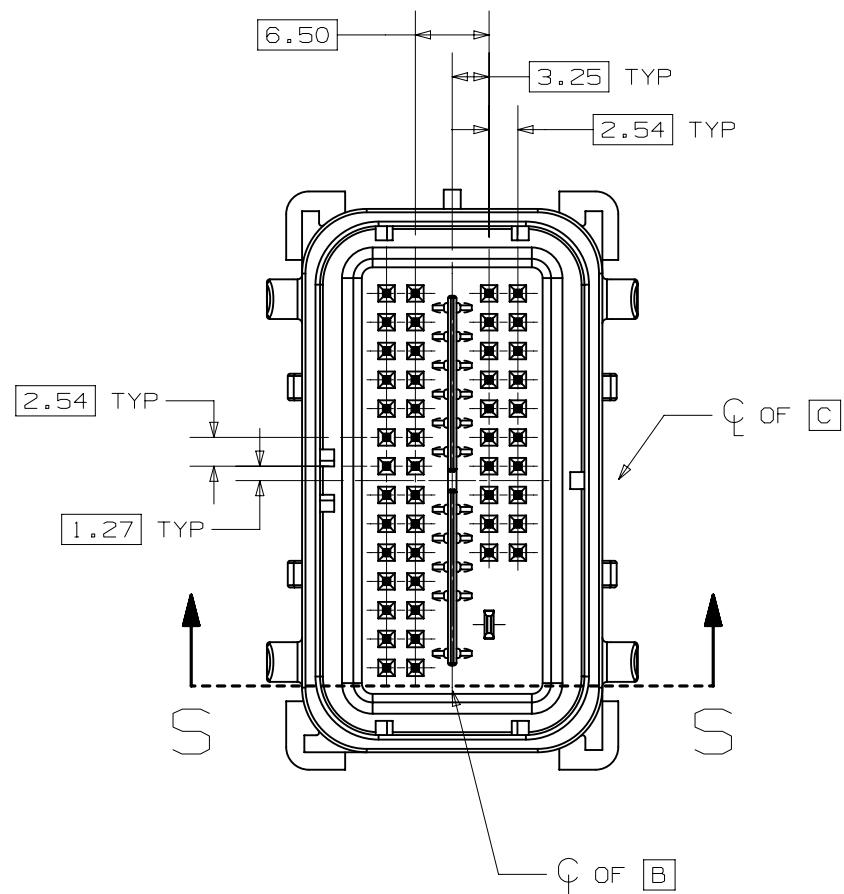


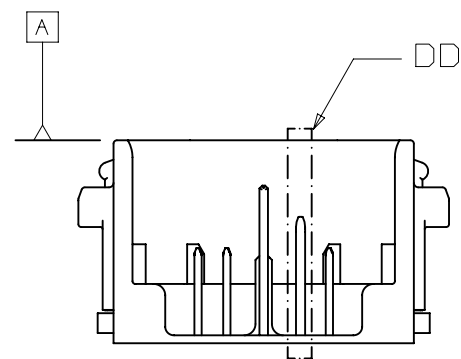
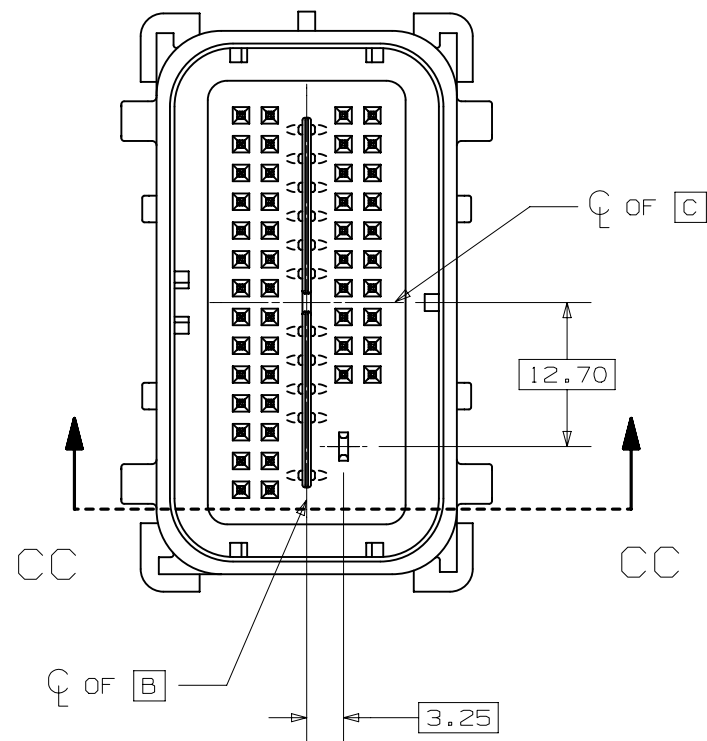
VIEW L



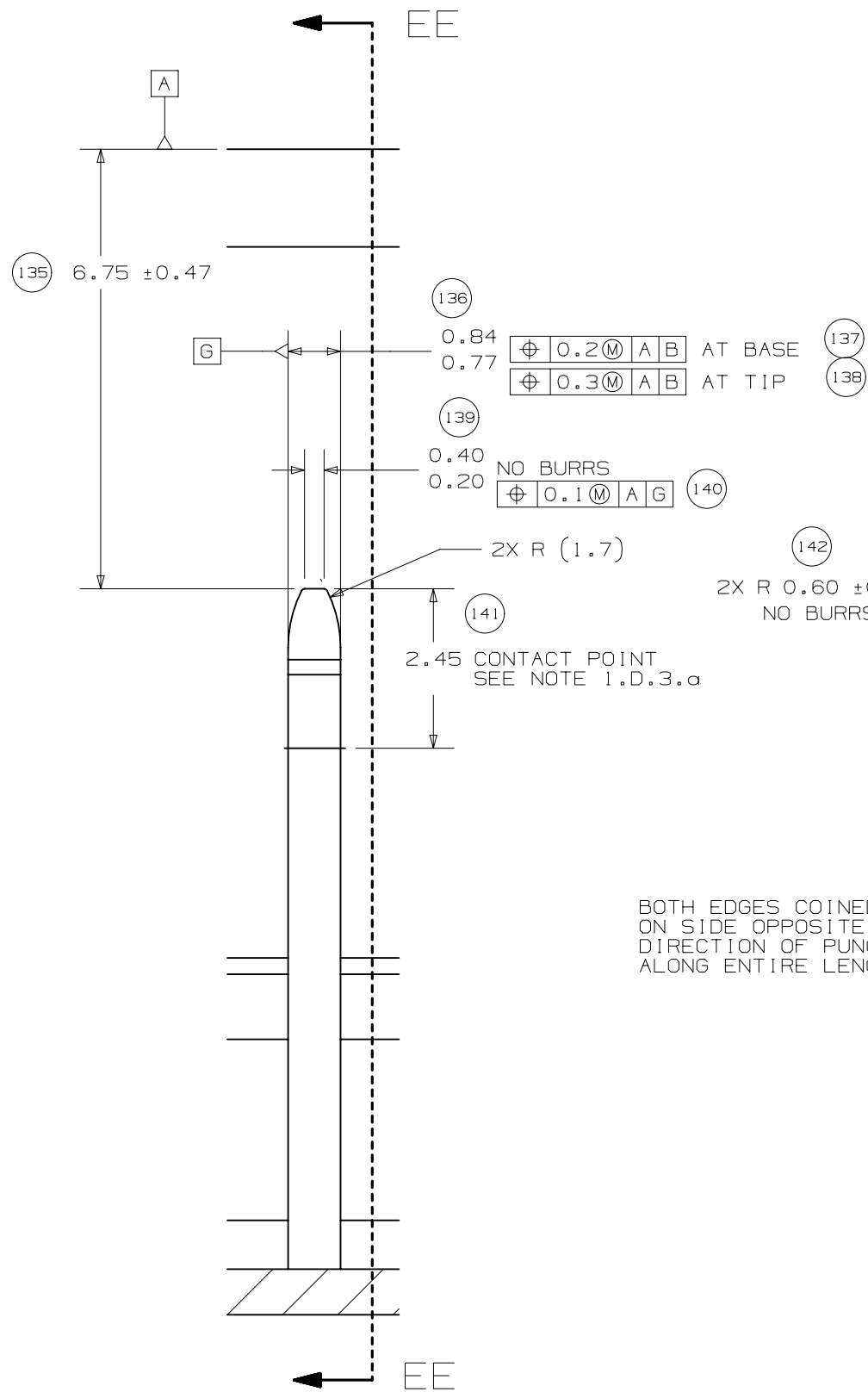
VIEW N



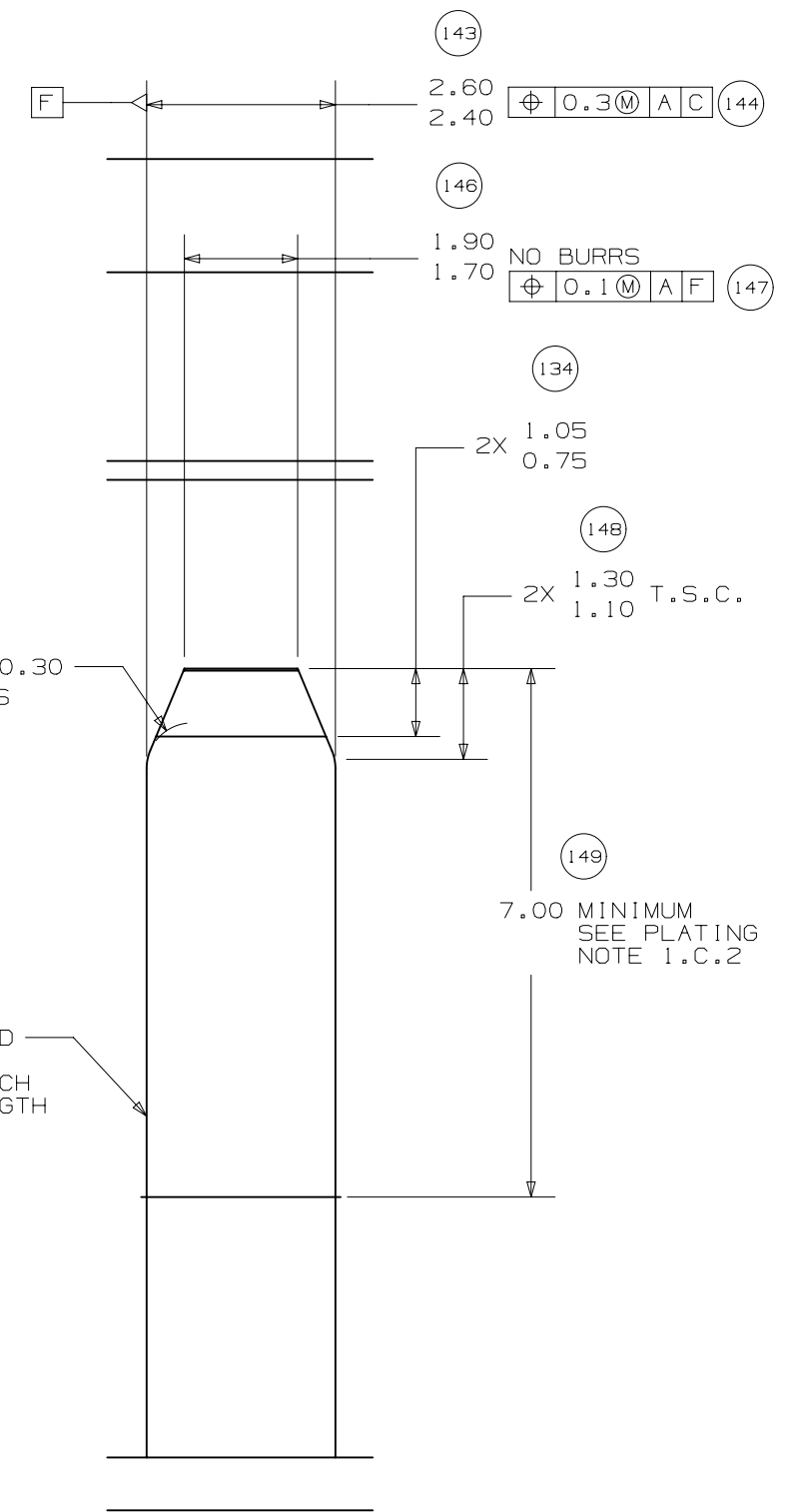




SECTION CC-CC

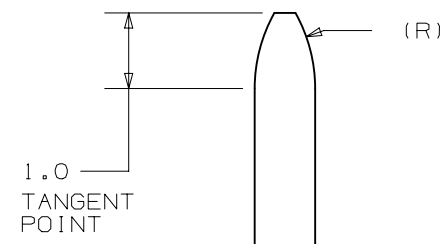


DETAIL DD
TYPICAL

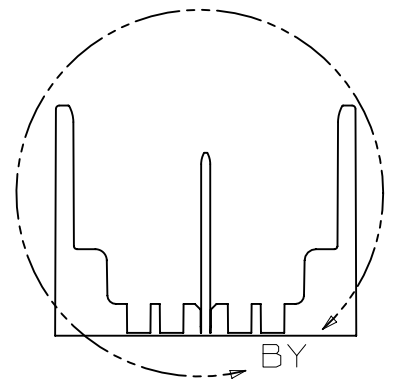
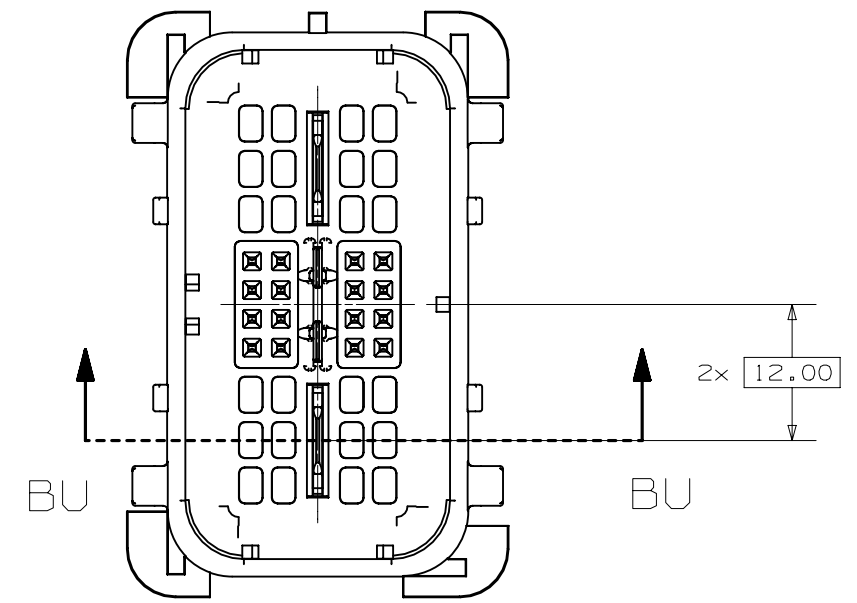


SECTION EE-EE
TYPICAL

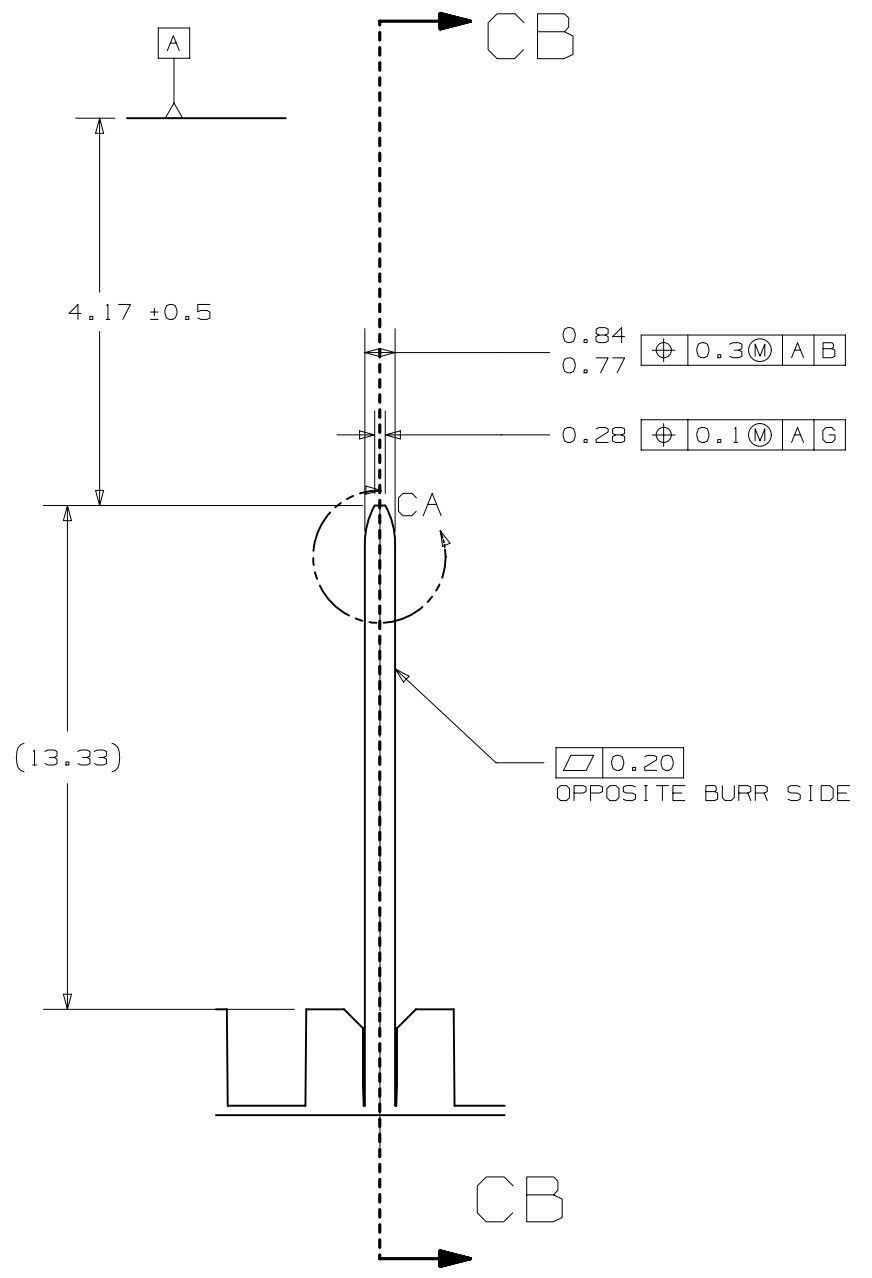




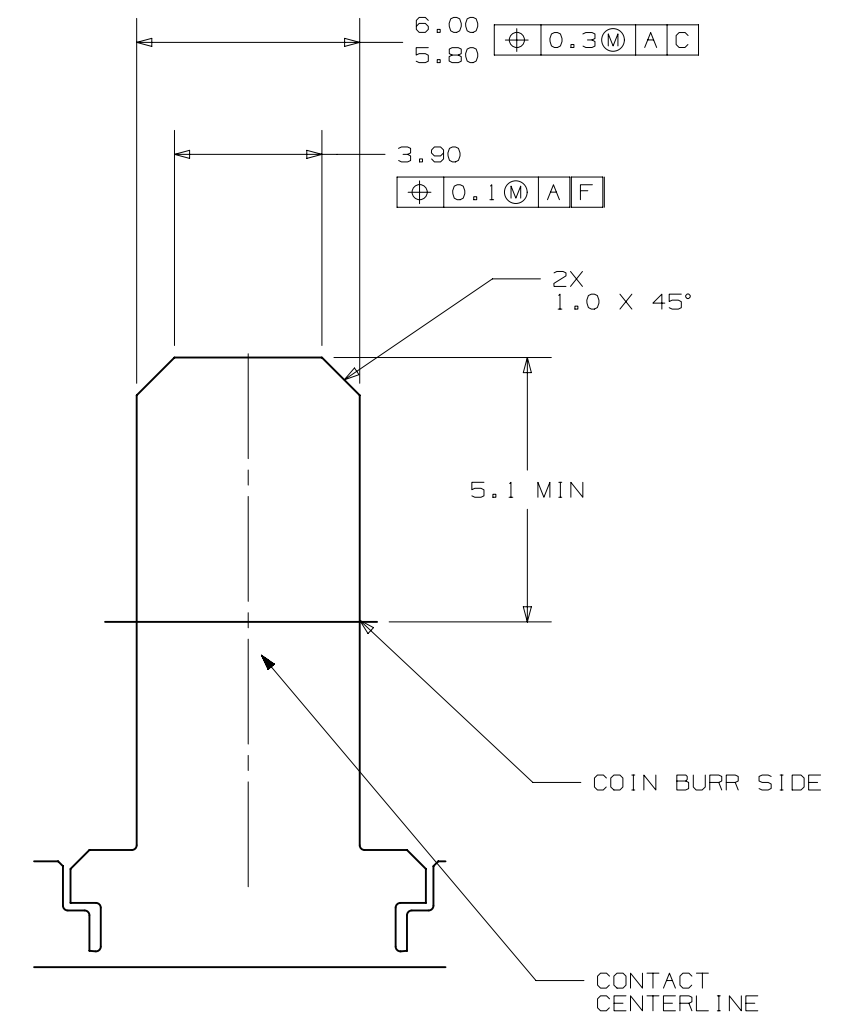
VIEW CA
SCALE 10:1



SECTION BU-BU



VIEW BY
SCALE 5:1



SECTION CB-CB



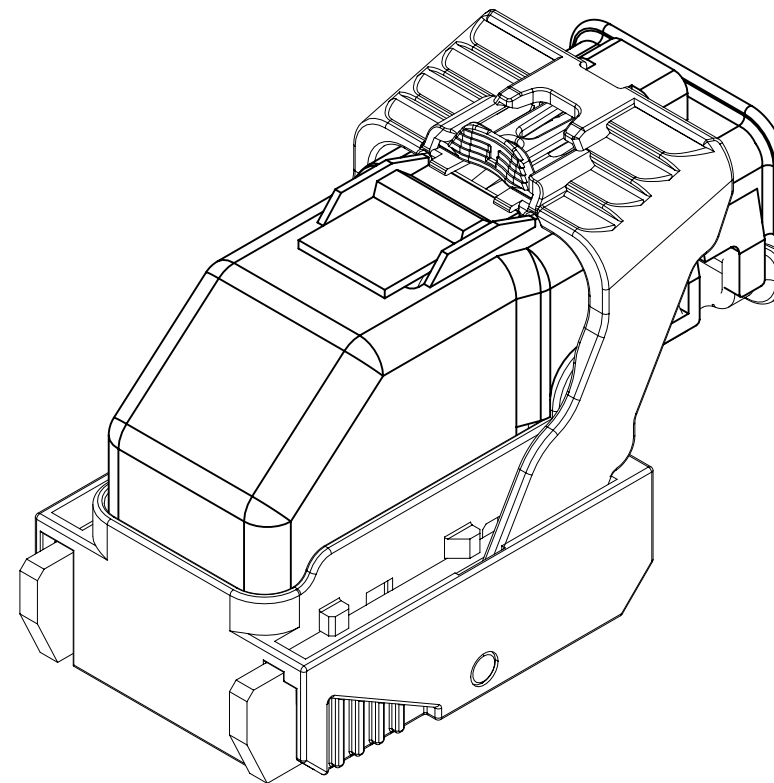
PAGE TITLE
COMPONENT CONNECTOR INTERFACE

DRAWING NUMBER
12642694


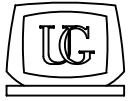
| DWG STATUS | | |
|------------|-----|-----|
| ST | REV | PD1 |
| R | 001 | |

PAGE NUMBER
22 OF 22

| INDEX | |
|---|------|
| PAGE TITLE | PAGE |
| TITLE BLOCK | 1 |
| REVISION BLOCK | 2 |
| PART BLOCK | 3 |
| KPC BLOCK | 4 |
| COMPONENT TABLE | 5 |
| NOTES | 6 |
| NOTES | 7 |
| WIRE DRESS PACKAGING DIMENSIONS | 8 |
| LOCATION AND PACKAGING DIMENSIONS REFERENCING INTERFACE DATUMS B & C | 9 |
| LOCATION AND PACKAGING DIMENSIONS REFERENCING INTERFACE DATUM A | 10 |
| KEY ID REF - WIRE DRESS OPTION 0 | 11 |
| KEY ID REF - WIRE DRESS OPTION 9 | 12 |
| CIRCUIT CONFIGURATIONS | 13 |
| CIRCUIT CONFIGURATIONS | 14 |
| COMPONENT CONNECTOR INTERFACE | 15 |
| COMPONENT CONNECTOR INTERFACE | 16 |
| COMPONENT CONNECTOR INTERFACE | 17 |
| COMPONENT CONNECTOR INTERFACE | 18 |
| COMPONENT CONNECTOR INTERFACE | 19 |
| COMPONENT CONNECTOR INTERFACE | 20 |
| COMPONENT CONNECTOR INTERFACE | 21 |
| COMPONENT CONNECTOR INTERFACE | 22 |




ISO VIEW

| | | | | |
|---|--|---|---|--------------------------------------|
|  | THIS DOCUMENT IS IN ACCORDANCE WITH ASME Y14.5M-1994 AS AMENDED BY THE GM GLOBAL DIMENSIONING AND TOLERANCING ADDENDUM - 2004. | | | DATE |
| |  CHANGE RESTRICTED NO MANUAL CHANGES | REFERENCE 12H (MOLEX AUTOMOTIVE) | DRAFTER D. KOEHLER APVD1 M.R. OOSTERINK APVD2 J. SWARTZ APVD3 G. FLECK APVD4 APVD5 | 28AP15 29AP15 29AP15 08MY15 |
| DO NOT SCALE | | DRAWING NAME | | |
| METRIC DIMENSIONS SHOWN IN MILLIMETERS UNLESS OTHERWISE SPECIFIED | | HARNESS CONN ASM-SEALED 18/49/56 CKTS, MX123 | | |
| DRAWING NUMBER | | DWG STATUS | | PAGE NUMBER |
| 12642694 | | ST | REV | PDI |
| | | R | 001 | |
| | | | | 1 OF 22 |

| PAGE | DWG STATUS | | | | | REVISION HISTORY | AUTH | DR | CK | ENG |
|------|------------|----|-----|-----|-----|------------------|------|----|----|-----|
| | DATE | ST | REV | CHG | PDI | | | | | |

| PAGE | DWG STATUS | | | | | REVISION HISTORY | AUTH | DR | CK | ENG |
|------|------------|----|-----|-----|-----|---------------------------------|--------|-----|-----|-----|
| | DATE | ST | REV | CHG | PDI | | | | | |
| | 08MY15 | R | 001 | | | RELEASED TO PRODUCTION AT DLS A | CRMRJD | DFK | MRO | GF |

| | | | | | | | |
|---|----------------|----------------|------------|----|-----|-------------|-----|
|  | PAGE TITLE | DRAWING NUMBER | DWG STATUS | | | PAGE NUMBER | |
| | REVISION BLOCK | | 12642694 | ST | REV | | PDI |
| | | | | R | 001 | | |

KEY PRODUCT CHARACTERISTICS
(IN ACCORDANCE WITH QN 1805 OR ON 1050)



SAFETY/COMPLIANCE

TOTAL ON
DRAWING

5



FIT/FUNCTION

LAST NO.
USED

5

| NO | TYPE | DESCRIPTION | RATIONALE | PAGE/ZONE |
|----|------|---------------------------------|------------------------------------|-----------|
| 1 | F/F | 32.68 | IMPROVE CONNECTOR SYSTEM MATING | 16 |
| 2 | F/F | 29.00 | INSURE PROPER RELEASE OF LEVER | 16 |
| 3 | F/F | 15.25 | INSURE FINAL MATE POSITION | 17 |
| 5 | F/F | POSITIONAL TOLERANCE (2 PLACES) | INSURE CONNECTOR SYSTEM MATIBILITY | 20 |



PAGE TITLE
KPC BLOCK

DRAWING NUMBER

12642694

DWG STATUS

| | | |
|----|-----|-----|
| ST | REV | PD1 |
|----|-----|-----|

| | | |
|---|-----|--|
| R | 001 | |
|---|-----|--|

PAGE NUMBER

4 OF 22

| P. NO | MFG. | MFG. P/N | GM P/N | Effective Date | APPLICABLE COMPONENTS | Key Option | Wire Dress Option | Key Config. | Color | Status |
|-------|--------|--------------|-------------|----------------|--|------------|-------------------|-------------|---------|------------|
| | | | | | DESCRIPTION | | | | | |
| 1 | Molex | 34575-0003 | 12582679 | 02JN03 | WIRE HARNESS COVER | N/A | NA | N/A | BLACK | AVAILABLE |
| 2 | Molex | 34576-0103 | 12666118 | 31JL15 | HARN CONN ASM 49 CKT | A | 0 | 1458 | BLACK | ACTIVE |
| 3 | Molex | 34576-0203 | 12650786 | T.B.D. | HARN CONN ASM 49 CKT | B | 0 | 1468 | ST GRAY | NOT ACTIVE |
| 4 | Molex | 34576-0303 | 12666120 | 31JL15 | HARN CONN ASM 49 CKT | C | 0 | 2467 | BLUE | ACTIVE |
| 5 | Molex | 34576-0403 | 12615660 | T.B.D. | HARN CONN ASM 49 CKT | D | 0 | 2367 | BROWN | NOT ACTIVE |
| 6 | Molex | 34576-0503 | 12615661 | T.B.D. | HARN CONN ASM 49 CKT | E | 0 | 2468 | GREEN | NOT ACTIVE |
| 7 | Molex | 34576-0603 | 12615662 | T.B.D. | HARN CONN ASM 49 CKT | F | 0 | 1357 | NATURAL | NOT ACTIVE |
| 8 | Molex | 34576-0703 | 12582680 | 11JN04 | HARN CONN ASM 56 CKT | G | 0 | 1358 | BLUE | AVAILABLE |
| 9 | Molex | 34576-0803 | 12582681 | 11JN04 | HARN CONN ASM 56 CKT | H | 0 | 2458 | ST GRAY | AVAILABLE |
| 10 | Molex | 34576-0903 | 12615658 | T.B.D. | HARN CONN ASM 56 CKT | J | 0 | 2457 | BLACK | NOT ACTIVE |
| 11 | Molex | 34576-1003 | AVA77166 | T.B.D. | HARN CONN ASM 56 CKT | K | 0 | 2357 | BROWN | NOT ACTIVE |
| 12 | Molex | 34576-1103 | AVA77167 | T.B.D. | HARN CONN ASM 56 CKT | L | 0 | 2368 | GREEN | NOT ACTIVE |
| 13 | Molex | 34576-1203 | AVA77168 | T.B.D. | HARN CONN ASM 56 CKT | M | 0 | 2358 | NATURAL | NOT ACTIVE |
| 14 | Molex | 34576-1303 | 12666119 | 31JL15 | HARN CONN ASM 49 CKT | A | 9 | 1458 | BLACK | ACTIVE |
| 15 | Molex | 34576-1403 | 12650787 | T.B.D. | HARN CONN ASM 49 CKT | B | 9 | 1468 | ST GRAY | NOT ACTIVE |
| 16 | Molex | 34576-1503 | 12666121 | 31JL15 | HARN CONN ASM 49 CKT | C | 9 | 2467 | BLUE | ACTIVE |
| 17 | Molex | 34576-1603 | 12615663 | T.B.D. | HARN CONN ASM 49 CKT | D | 9 | 2367 | BROWN | NOT ACTIVE |
| 18 | Molex | 34576-1703 | 12615664 | T.B.D. | HARN CONN ASM 49 CKT | E | 9 | 2468 | GREEN | NOT ACTIVE |
| 19 | Molex | 34576-1803 | 12615665 | T.B.D. | HARN CONN ASM 49 CKT | F | 9 | 1357 | NATURAL | NOT ACTIVE |
| 20 | Molex | 34576-1903 | 12603600 | 11JN04 | HARN CONN ASM 56 CKT | G | 9 | 1358 | BLUE | AVAILABLE |
| 21 | Molex | 34576-2003 | 12603601 | T.B.D. | HARN CONN ASM 56 CKT | H | 9 | 2458 | ST GRAY | NOT ACTIVE |
| 22 | Molex | 34576-2103 | 12615659 | T.B.D. | HARN CONN ASM 56 CKT | J | 9 | 2457 | BLACK | NOT ACTIVE |
| 23 | Molex | 34576-2203 | AVA77192 | T.B.D. | HARN CONN ASM 56 CKT | K | 9 | 2357 | BROWN | NOT ACTIVE |
| 24 | Molex | 34576-2303 | AVA77193 | T.B.D. | HARN CONN ASM 56 CKT | L | 9 | 2368 | GREEN | NOT ACTIVE |
| 25 | Molex | 34576-2403 | AVA77143 | T.B.D. | HARN CONN ASM 56 CKT | M | 9 | 2358 | NATURAL | NOT ACTIVE |
| 26 | Molex | 34851-0007 | 12644156 | 31AU15 | HARN CONN ASM 18 CKT | G | 0 | 1358 | BLUE | ACTIVE |
| 27 | Molex | 34851-0008 | 12644158 | 31AU15 | HARN CONN ASM 18 CKT | H | 0 | 2458 | ST GRAY | ACTIVE |
| 28 | Molex | 34851-0019 | 12644157 | 31AU15 | HARN CONN ASM 18 CKT | G | 9 | 1358 | BLUE | ACTIVE |
| 29 | Molex | 34851-0020 | 12644159 | 31AU15 | HARN CONN ASM 18 CKT | H | 9 | 2458 | ST GRAY | ACTIVE |
| 30 | Molex | 34736-2002 | 12642697 | 01AU10 | MX64 RCPT TERM Ag 18/20 GAGE B (RIGHT PAYOFF) | N/A | N/A | N/A | N/A | AVAILABLE |
| 31 | Molex | 34736-2001 | 12642696 | 01AU10 | MX64 RCPT TERM Ag 22 GAGE B (RIGHT PAYOFF) | N/A | N/A | N/A | N/A | AVAILABLE |
| 32 | Molex | 34586-0001 | T.B.D. | 11JN04 | MX123 0.64MM GROMMET PLUG | N/A | N/A | N/A | NATURAL | AVAILABLE |
| 33 | Yazaki | 7116-4150-02 | 12588066 | 02JN03 | 2.8mm YESC SEALED FEMALE TERMINAL TIN 20/22 GAGE (CABLE RANGE 0.30mm-0.60mm) | N/A | N/A | N/A | N/A | NOT ACTIVE |
| 34 | Yazaki | 7116-4151-02 | 12588067 | 02JN03 | 2.8mm YESC SEALED FEMALE TERMINAL TIN 16/18 GAGE (CABLE RANGE 0.75mm-1.40mm) | N/A | N/A | N/A | N/A | NOT ACTIVE |
| 35 | Yazaki | 7116-4152-02 | 12582685 | 02JN03 | 2.8mm YESC SEALED FEMALE TERMINAL TIN 14 GAGE (CABLE RANGE 1.50mm-2.50mm) | N/A | N/A | N/A | N/A | AVAILABLE |
| 36 | Yazaki | 7158-3111-60 | 12588068 | 02JN03 | 2.8mm CABLE SEAL (wire O.D. range 1.20mm-1.90mm) | N/A | N/A | N/A | GREEN | NOT ACTIVE |
| 37 | Yazaki | 7158-3112-70 | 12588069 | 02JN03 | 2.8mm CABLE SEAL (wire O.D. range 1.80mm-2.30mm) | N/A | N/A | N/A | YELLOW | NOT ACTIVE |
| 38 | Yazaki | 7158-3113-40 | 12582686 | 02JN03 | 2.8mm CABLE SEAL (wire O.D. range 2.18mm-3.00mm) | N/A | N/A | N/A | WHITE | AVAILABLE |
| 39 | Yazaki | 7158-3114-90 | T.B.D. | 02JN03 | 2.8mm YESC CAVITY PLUG | N/A | N/A | N/A | BLUE | AVAILABLE |
| 40 | FCI | 33140138 | 12646399 | 10JA14 | 6.35mm APEX RCPT TERM Sn/Ag GRIP CODE-10 (6mm2) - Greased | N/A | N/A | N/A | N/A | AVAILABLE |
| 41 | FCI | 33140135 | 12654556 | 10JA14 | 6.35mm APEX RCPT TERM Sn/Ag GRIP CODE-TBD (1mm2) - Greased | N/A | N/A | N/A | N/A | AVAILABLE |
| 42 | QSR | A-0549C | 12646688 | 01SE14 | 6.35mm CABLE SEAL (FOR 6.0mm2 WIRE SIZE - 3.6 TO 4.2mm INSULATION OD) | N/A | N/A | N/A | WHITE | AVAILABLE |
| 43 | QSR | A-0549B | 12654557 | 01SE14 | 6.35mm CABLE SEAL (FOR 0.75-1.25mm2 WIRE SIZE - 1.8 TO 2.3mm INSULATION OD) | N/A | N/A | N/A | BLUE | AVAILABLE |
| 44 | Molex | 63811-4200 | XX019825 | 02JN03 | MX64 TERM HAND CRIMP TOOL | N/A | N/A | N/A | N/A | AVAILABLE |
| 45 | Molex | 63813-1400 | XX019826 | 02JN03 | MX64 TERM SERVICE TOOL | N/A | N/A | N/A | N/A | AVAILABLE |
| 46 | Molex | 63865-8000 | XX019827 | 02JN03 | MX64 CRIMP APPLICATOR with TOOL KIT 18/20 GAGE PAYOFF DIRECTION D (left payoff) (contact Molex for payoff detail) | N/A | N/A | N/A | N/A | AVAILABLE |
| 47 | Molex | 63865-8070 | XX019828 | 02JN03 | MX64 APPLICATOR TOOL KIT 18/20 GAGE | N/A | N/A | N/A | N/A | AVAILABLE |
| 48 | Molex | 63865-8100 | XX019829 | 02JN03 | MX64 CRIMP APPLICATOR with TOOL KIT 22 GAGE PAYOFF DIRECTION D (left payoff) (contact Molex for payoff detail) | N/A | N/A | N/A | N/A | AVAILABLE |
| 49 | Molex | 63865-8170 | XX019830 | 02JN03 | MX64 APPLICATOR TOOL KIT 22 GAGE | N/A | N/A | N/A | N/A | AVAILABLE |
| 50 | SPX | J35616-64 | T.B.D. | 02JN03 | 0.64mm PROBE TOOL (for rcpt) | N/A | N/A | N/A | N/A | AVAILABLE |
| 51 | SPX | J35616-64A | T.B.D. | 02JN03 | 0.64mm PROBE TOOL WITH EXT (for rcpt) | N/A | N/A | N/A | N/A | AVAILABLE |
| 52 | SPX | J35616-65 | T.B.D. | 02JN03 | 0.64mm PROBE TOOL WITH EXT (for pin) | N/A | N/A | N/A | N/A | AVAILABLE |
| 53 | SPX | J35616-4A | T.B.D. | 02JN03 | 2.8mm PROBE TOOL (for rcpt) | N/A | N/A | N/A | N/A | AVAILABLE |
| 54 | YAZAKI | X39899-J374 | 12094430 | 02JN03 | 2.8mm TERM SERVICE TOOL | N/A | N/A | N/A | N/A | AVAILABLE |
| 55 | TQ1 | 7000-1001 | N/A | 01FE15 | 18CKT PASS THROUGH ADAPTERS | N/A | N/A | N/A | BLACK | AVAILABLE |
| 56 | TQ1 | 7000-1004 | N/A | 01FE15 | 49CKT PASS THROUGH ADAPTERS | N/A | N/A | N/A | BLACK | AVAILABLE |
| 57 | TQ1 | 79917-0060 | N/A | 02JA08 | 56CKT PASS THROUGH ADAPTERS | N/A | N/A | N/A | BLACK | AVAILABLE |
| 58 | Molex | 63813-1500 | J-38125-217 | 01SE14 | 6.35mm APEX TERM SERVICE TOOL | N/A | N/A | N/A | N/A | AVAILABLE |

* MX123 WIRE HARNESS COVER
MATES TO ANY 18/49/56 CKT
MX123 HARN CONN ASSY
SHOWN ON THIS TABLE



PAGE TITLE
COMPONENT TABLE

DRAWING NUMBER
12642694

| DWG STATUS | | |
|------------|-----|-----|
| ST | REV | PD1 |
| R | 001 | |

PAGE NUMBER
5 of 22

NOTES: UNLESS OTHERWISE SPECIFIED

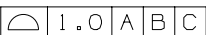
1. MATERIAL FOR INTERFACE:

- A. RESIN:
 - 1. 30% G.F. PBT; 20% MAX. (BY WEIGHT) REGRIND.
 - 2. MATING CONNECTOR INTERFACE PART COLOR MUST BE SAME AS MATCHING KEYED HARNESS CONNECTOR ASSEMBLY.
 - 3. MUST BE VALIDATED FOR INDIVIDUAL DEVICE APPLICATION REQUIREMENTS.
- B. 0.64MM PINS:
 - 1. BASE MATERIAL: COPPER ALLOY; CONDUCTIVITY \geq 28% IACS AT 20°C; TENSILE STRENGTH \geq 635 N/mm²; SURFACE ROUGHNESS R_a 6 MAX.
 - 2. PLATING FINISH: SILVER (Ag). PLATING TO BE 1.9-3.3 μ m ELECTRODEPOSITED SEMI-BRIGHT SILVER OVER 1.25-2.25 μ m DUCTILE SULPHAMATE NICKEL PER NOTE 1(D).
 - 3. ANTI-TARNISH: SYNTHETIC HYDROCARBON CONTACT SURFACE FINISH OR EQUIVALENT APPLIED WITHOUT VOID TO CONTACT AREA (MIN 3.7mm FROM PIN TIP).
- C. 2.8MM BLADE:
 - 1. BASE MATERIAL: COPPER ALLOY; CONDUCTIVITY \geq 28% IACS AT 20°C; TENSILE STRENGTH \geq 350 N/mm²; SURFACE ROUGHNESS R_a 6 MAX.
 - 2. PLATING FINISH: TIN. PLATING TO BE 2.5-5.0 μ m ELECTRODEPOSITED TIN, MATTE FINISH OVER 1.25-2.5 μ m DUCTILE SULPHAMATE NICKEL PER NOTE 1(D).
- D. 6.3MM BLADE:
 - 1. BASE MATERIAL: COPPER ALLOY; CONDUCTIVITY \geq 50% IACS AT 20°C;
 - 2. PLATING FINISH: SILVER (Ag) PLATING TO BE 1.9-3.3 μ m ELECTRODEPOSITED SEMI-BRIGHT SILVER, OVER 1.25-2.5 μ m DUCTILE SULPHAMATE NICKEL PER NOTE 1(D) WITH ENVIRONMENTAL BARRIER OR TIN/SILVER (ELECTRO-DEPOSITED), UNDERPLATE 0.5-2.0 μ m NICKEL OR COPPER. TOP PLATING: 1.0-3.0 μ m (SILVER RANGE 3.75-X.XX NO ANTI-TARNISH COATING REQUIRED).

E. PLATING REQUIREMENTS:


- 1. SILVER PLATING
 - a. 99.5% PURE SEMI-BRIGHT WITH NO ORGANIC BRIGHTNERS OR CHROMATES.
- 2. NICKEL PLATING
 - a. ELECTRODEPOSITED DUCTILE SULFAMATE NICKEL WITH A NON-BRIGHTENED FINISH. NO ORGANIC OR BRIGHTENING AGENTS SHALL BE ALLOWED.
 - b. SHALL ONLY BE USED AS AN UNDERLYING PLATING AND MAY NOT BE USED AS AN ELECTRICAL CONTACT SURFACE PLATING.
 - c. SHALL BE NODULE FREE WHEN VIEWED AT 10X MAGNIFICATION IN MEASURED IN CONTACT SURFACE AREA PLUS 0.5MM PERIMETER AROUND THE CONTACT SURFACE AREA.
 - d. ALL PLATINGS SHALL HAVE A 1.0% MAXIMUM BY WEIGHT IMPURITIES. IMPURITIES ARE DEFINED AS ALL ELEMENTS NOT THE PRIMARY PLATING OR HARDENING AGENT IF APPLICABLE, AS DETERMINED BY WET CHEMICAL ANALYSIS OR AUGER METHOD. NO SINGLE IMPURITY SHALL EXCEED 0.1% MAXIMUM BY WEIGHT.
- 3. TESTING
 - a. THICKNESS TO BE MEASURED IN CONTACT SURFACE AREA PLUS 0.5MM PERIMETER AROUND THE CONTACT SURFACE AREA AS DESIGNATED IN THE DRAWING. THICKNESS SHALL BE DETERMINED BY METHOD OF X-RAY (XRF).
 - b. PLATING ADHESION SHALL BE TESTED BY A BEND TEST FOR ALL METALS. THE TEST SAMPLE SHALL BE BENT 90 DEGREES TO DETERMINE DEPOSIT ADHESION. TESTING SHALL BE COMPLETED IN ACCORDANCE WITH ASTM SPEC B571.

2. DESIGN - GENERAL:

- A. THIS IS A 100% CAD GENERATED PART. THE CAD MATHEMATICAL DATA IS THE MASTER FOR THIS PART. WHERE DIMENSIONS ARE SPECIFIED ON THE DRAWING, THE DRAWING IS THE AUTHORITY FOR DIMENSIONAL VALUES. FOR DIMENSIONAL OR ANY INFORMATION NOT SHOWN ON THIS DRAWING, ANALYZE THE CAD MODEL.
- B. DIMENSIONS OBTAINED FROM THE DIGITAL MODEL ARE BASIC:
 - 1. FOR RELATIONSHIPS BETWEEN FEATURES WHEN ESTABLISHED BY GEOMETRIC TOLERANCES.
 - 2. FOR THE FORM OF A FEATURE WHEN CONTROLLED BY A PROFILE TOLERANCE.
 - 3. FOR THE SIZE, FORM AND/OR RELATIONSHIP BETWEEN FIXED DATUM TARGETS.
- C. DIMENSIONS OBTAINED FROM THE DIGITAL MODEL ARE ROUNDED TO TWO DECIMAL PLACES (PER IEEE/ASTM SI 10-2002)
- D. VIEWS AND SECTIONS ON THIS DRAWING ARE IN ACCORDANCE WITH GM DCS SECTION C3.
- E. THE DIGITAL MODEL MUST CORRESPOND TO THE RELEASE LEVEL SHOWN IN THE PART BLOCK ON THIS DOCUMENT.
- F. TOLERANCES:
 - 1. LINEAR
 - 0.X \pm 0.30
 - 0.XX \pm 0.10
 - 0.XXX \pm 0.10
 - 2. ANGULAR X° \pm 3°
 - 3.  1.0 A B C
- G. MINIMUM WALL THICKNESS REQUIRED: 1.3mm.
- H. CORNERS SHOWN AS SHARP TO BE R 0.2 MAX.
- J. LETTERING SHALL BE 0.15 MAX RAISED IN 0.20 MAX RECESS PAD. THIS INCLUDES MATERIAL CODE, RECYCLING CODE, CAVITY ID AND DATE CODE.
- K-1. PARTS MUST BE FREE OF DISCOLORATION, SALT RESIDUE AND OTHER IMPERFECTIONS THAT AFFECT FIT OR FUNCTION.
- K-2. SCRATCHES OR DENTS NOT TO EXCEED 0.013mm IN DEPTH.
- L. FOLLOWING PRODUCTION CODES TO BE PERMANENTLY MARKED & HUMAN READABLE TO A LETTER HEIGHT OF 1.5 \pm 0.5MM X 0.3 MAX DEEP
 - 1. MATERIAL #: XXXXX-XXXX
 - 2. DATE CODE: JJJY (JULIAN DAY, LAST DIGIT OF YEAR)
 - 3. INSPECTION MACHINE CODE + SERIAL #: X_XXXXX

3. DESIGN - MANUFACTURING:

- A. DRAFT TO BE WITHIN TOLERANCE.
- B. ALLOWABLE FLASH MAX 0.2 HIGH X MAX 0.13 THICK.
- C. ALLOWABLE PARTING LINE MISMATCH 0.2 MAX.
- D. EJECTOR PINS MARK TO BE FLUSH TO 0.25 MAX DEPRESSED.
- E. ALLOWABLE GATE VESTIGE FLUSH TO 0.25 MAX PROTRUSION.
- F. NO EXTERNAL MOLD RELEASE AGENT ALLOWED DURING MANUFACTURING.
- G. STEEL THAT FORMS THE INDICATED SURFACE MUST BE POLISHED WITH A DIAMOND FINISH (SPI A-2) OVER THE FULL PERIPHERY OF THE TOOL. SURFACE MUST HAVE NO MISMATCH.
- H. ANY PROCESS LUBRICANT REMAINING ON THE TERMINAL MUST NOT VARNISH OR DEGRADE IT'S ELECTRICAL PERFORMANCE UP TO A MAXIMUM CLASS AMBIENT TEMPERATURE PER SAE USCAR-2 FOR 1008 HOURS. PROCESS LUBRICANTS SHOULD BE APPROVED BY THE RESPONSIBLE ENGINEER.
- J. OPTIONAL FEATURES PROVIDED FOR AUTOMATION.
- K. PART MUST BE FREE FROM BURRS AND SHARP EDGES, WHICH MIGHT BE DETRIMENTAL TO SATISFACTORY ASSEMBLY, SAFE HANDLING OR FUNCTION OF PART.
- L. PARTS AS DELIVERED TO ASSEMBLY SHALL BE CLEAN AND FREE OF DEBRIS, RESIDUAL ABRASIVE MATERIAL AND CORROSION PRODUCTS ADVERESLY AFFECTING FUNCTION OR APPEARANCE.
- M. RESTRICTED AND REPORTABLE SUBSTANCES FOR PARTS PER GMW3059.

| | | | | | | | |
|---|------------|----------------|------------|----|-----|-------------|-----|
|  | PAGE TITLE | DRAWING NUMBER | DWG STATUS | | | PAGE NUMBER | |
| | NOTES | | 12642694 | ST | REV | | PDI |
| | | | | R | 001 | | |

NOTES: UNLESS OTHERWISE SPECIFIED

4. SYSTEM REQUIREMENTS:

- A. HARNESS CONNECTOR IS COMPATIBLE WITH THE FOLLOWING WIRE SIZE NO'S:
 - SAE 14AWG, MEETING SAE J1128
 - SAE 18AWG, MEETING SAE J1128, MAX O.D. OF 2.06 MM
 - SAE 20AWG, MEETING SAE J1128
 - SAE 22AWG, MEETING SAE J1128, MIN O.D. OF 1.47 MM
 - ISO 6mm², FLR2X-A/T-125 PER GM 15626 (FEB 2008)
- B. CABLE TIE SPECIFICATIONS:
 - 1. CABLE TIE:
 - TENSILE RATING: 220N / (50lbs) MIN
 - TIE LENGTH: 186mm MIN
 - TIE WIDTH: 4.75mm MAX
 - MATERIAL: NYLON
 - 2. INSTALLATION:
 - CABLE TIE TENSION: 190N MIN
 - 3. DRESSED WIRE BUNDLE PACKAGING: SEE FIG. 1
- C. WHEN MATED WITH COMPONENT CONNECTOR INTERFACE AND/OR DRESS COVER, HARNESS CONNECTOR SYSTEM CONFORMS TO THE FOLLOWING:
 - 1. SAE/USCAR-2, REV: 3 APRIL, 2001; CLASS 3
 - 2. FIELD CORRELATED LIFE TEST, SAE/USCAR-20, NOV. 2001
 - 3. GMW #3191 AUGUST 22, 2000 (DRAFT); TEMPERATURE CLASS 3 (145°C), SEALING CLASS 1 (HIGH PRESSURE SPRAY), VIBRATION CLASS 2 (ON BODY)
 - 4. TPA USER FORCES (FULLY POPULATED WITH TERMINALS)
 - a. REMOVAL FROM LOCK TO PRE-SET: <=120N
- D. WIRE SPECIFICATIONS:
 - 1. WIRE SURFACE MUST BE FREE OF SCRATCHES, GROOVES OR DENTS WHERE FUNCTIONAL

5. TERMINAL CURRENT RATINGS:

ALL TESTING DONE IN ACCORDANCE WITH USCAR-2 REV5 SECTION 5.3

- A. MX64 RCPT TERM
 - 1. MX64 RCPT TERM Ag 18/20 GAGE CRIMPED TO SAE WIRE SIZE NO.18 AND MATED TO MX123 0.64MM PIN: 11.3 AMPS
 - 2. MX64 RCPT TERM Ag 22 GAGE CRIMPED TO SAE WIRE SIZE NO.22 AND MATED TO MX123 0.64MM PIN:8.5 AMPS

| WIRE | CURRENT RATING | | | |
|-------|----------------|----------|-----------|-----------|
| | 23 deg.C | 85 deg.C | 105 deg.C | 125 deg.C |
| 18AWG | 11.3A | 11.3A | 9.5A | 6.6A |
| 20AWG | 10.0A | 10.0A | 8.3A | 5.7A |
| 22AWG | 8.6A | 8.6A | 7.1A | 5.0A |

- B. 2.8MM RCPT TERM
 - 1. 2.8MM RCPT TERM TIN 14 GAGE CRIMPED TO SAE WIRE SIZE NO.14 AND MATED TO MX123 2.8MM BLADE: 25.6 AMPS
 - C. 6.3MM RCPT TERM - FCI APEX
 - 1. 6.3MM RCPT TERM TIN/SILVER CRIMPED TO 6.0MM² WIRE AND MATED TO MOLEX 6.3MM² BLADE (Sn/Ag PLATED):36A AT 125°C
6. CONTACT MOLEX AUTOMOTIVE FOR AVAILABLE CUSTOM PATTERNS OF CAVITIES OPEN FOR CIRCUITS

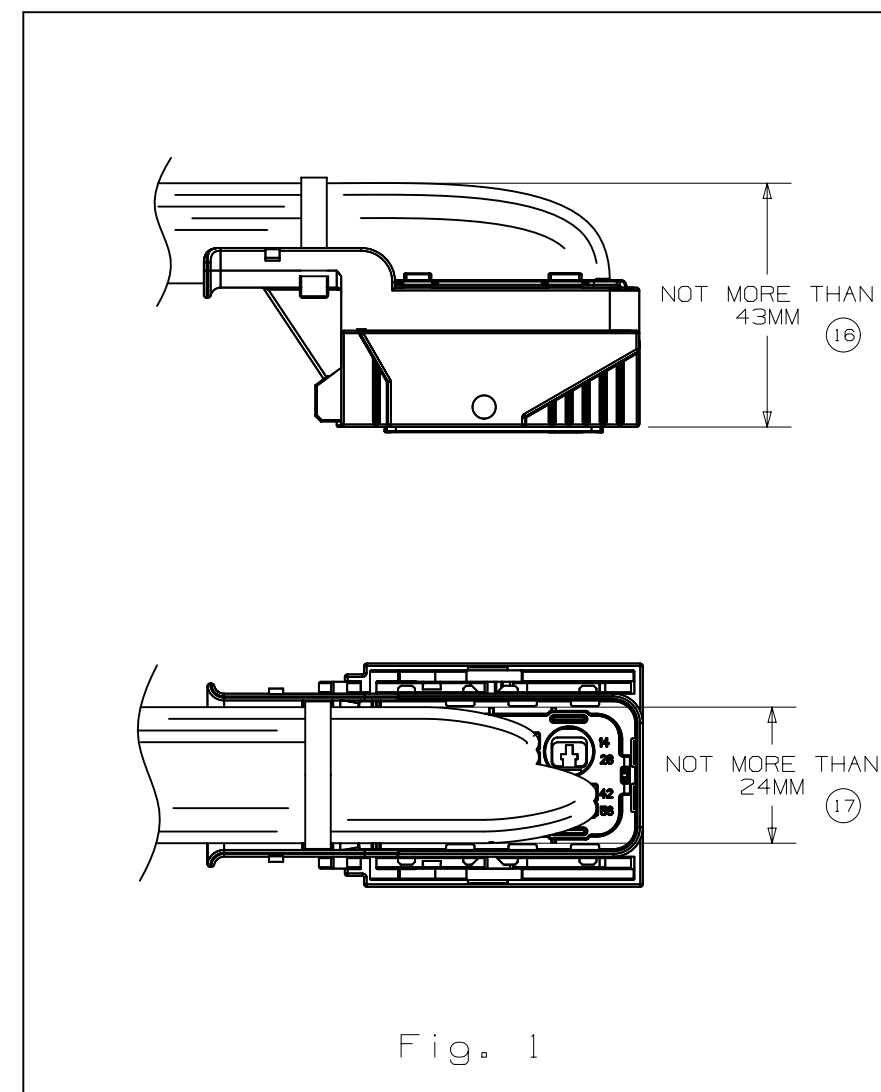
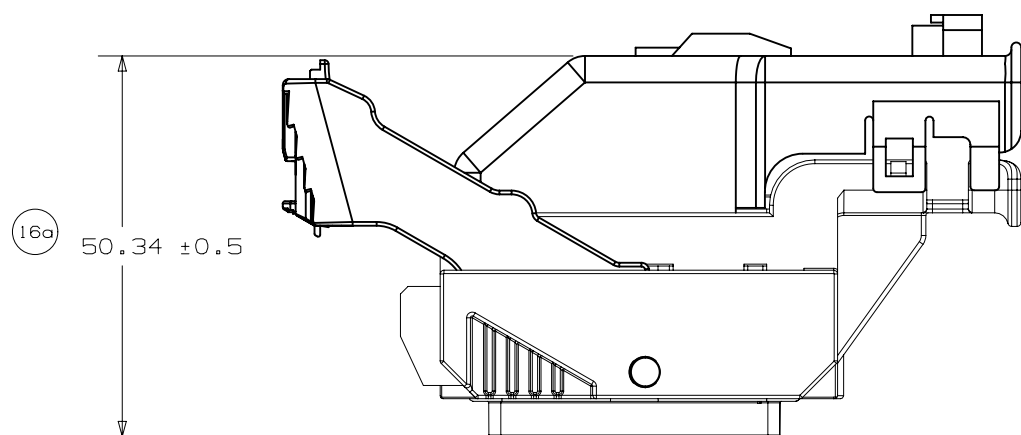


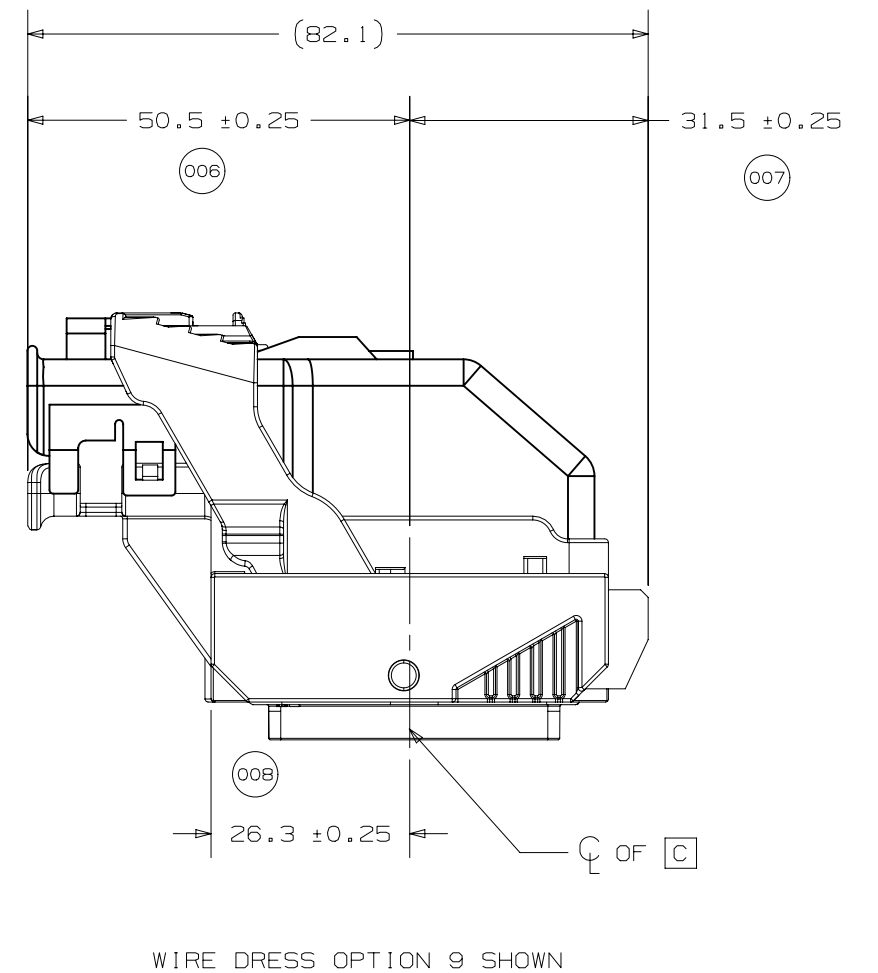
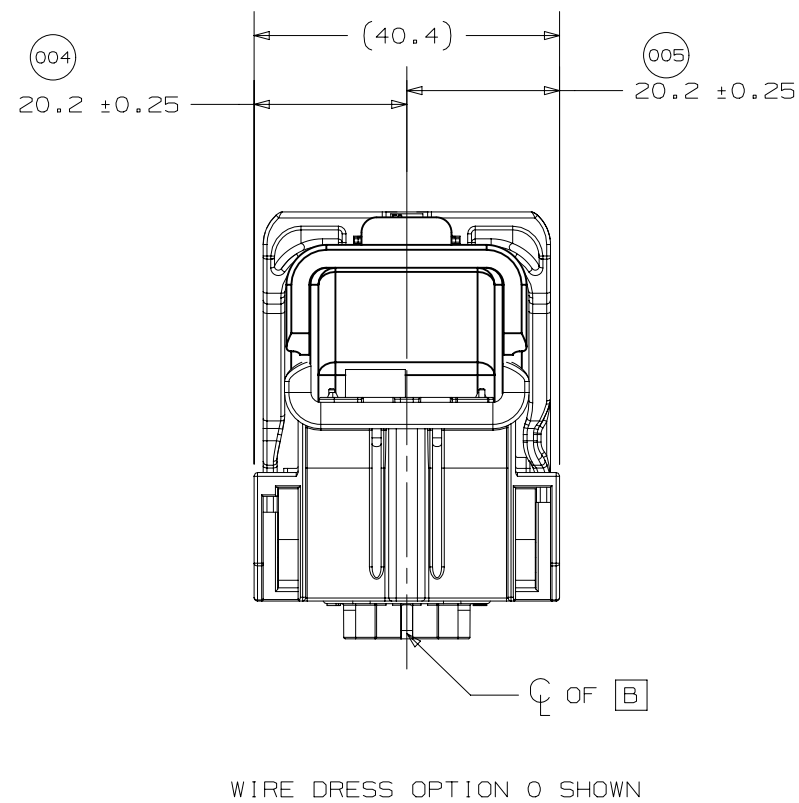
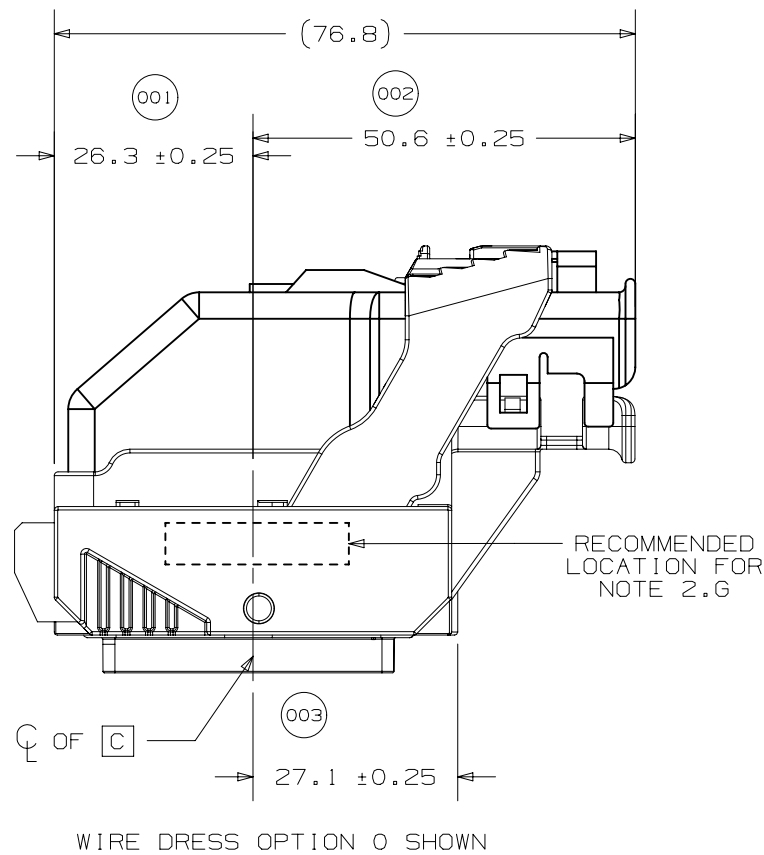
PAGE TITLE
NOTES

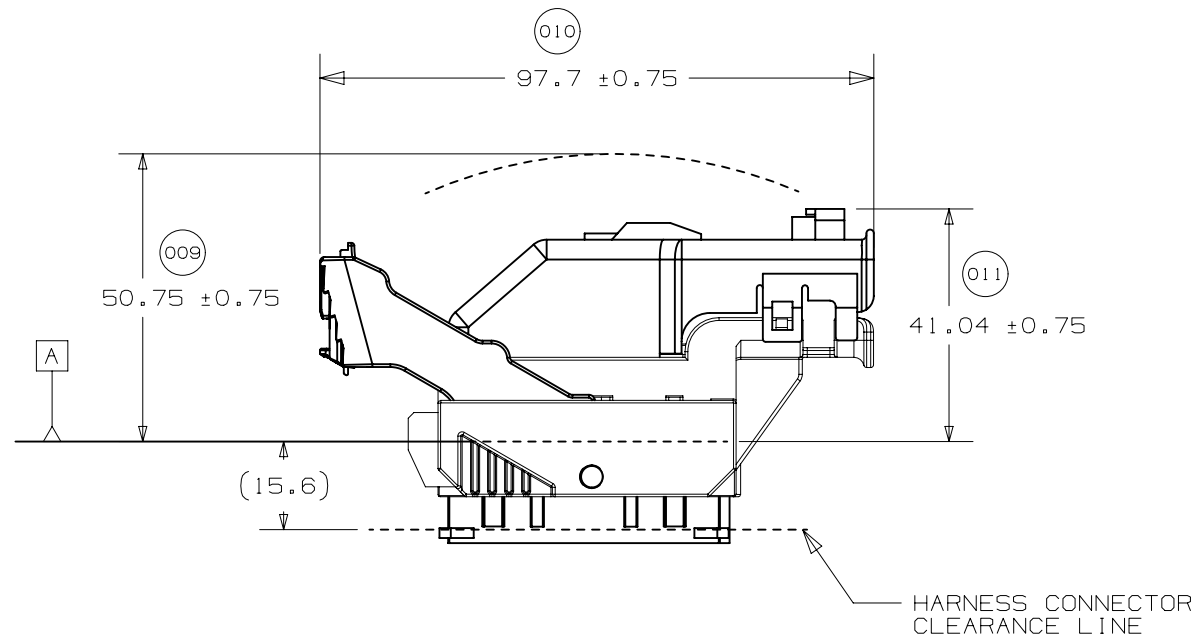
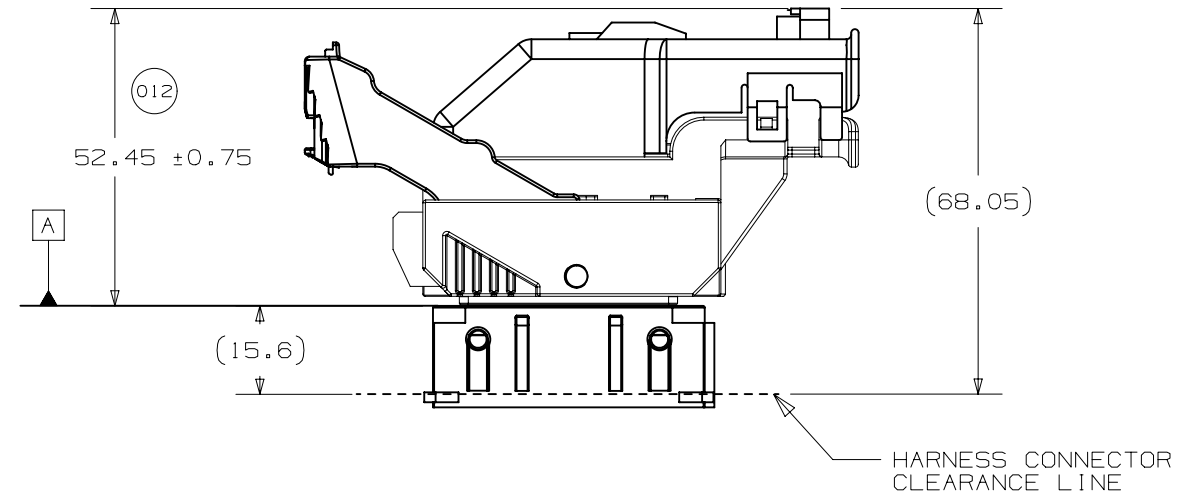
DRAWING NUMBER
12642694

| DWG STATUS | | |
|------------|-----|-----|
| ST | REV | PDI |
| R | 001 | |

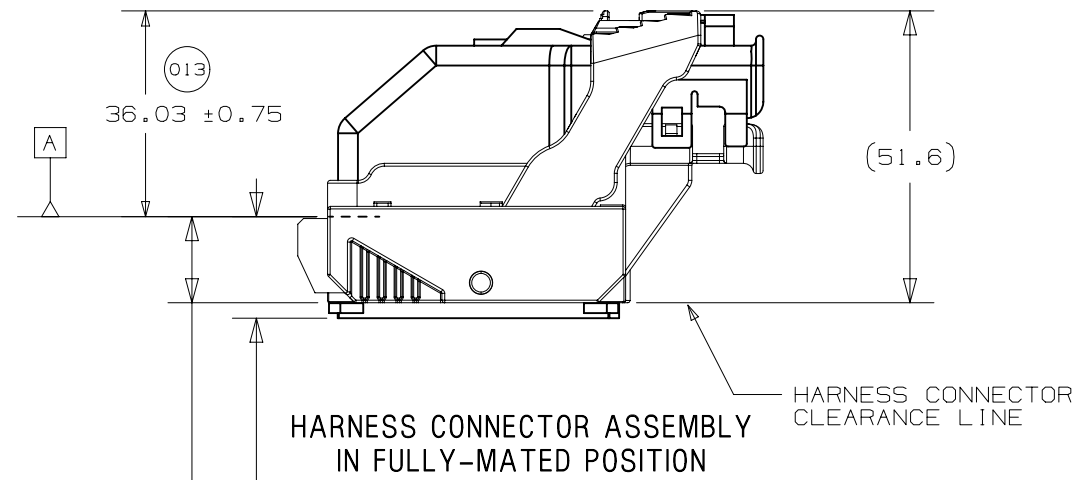
PAGE NUMBER
7 of 22







HARNESS CONNECTOR ASSEMBLY
IN PRE-LOCK POSITION

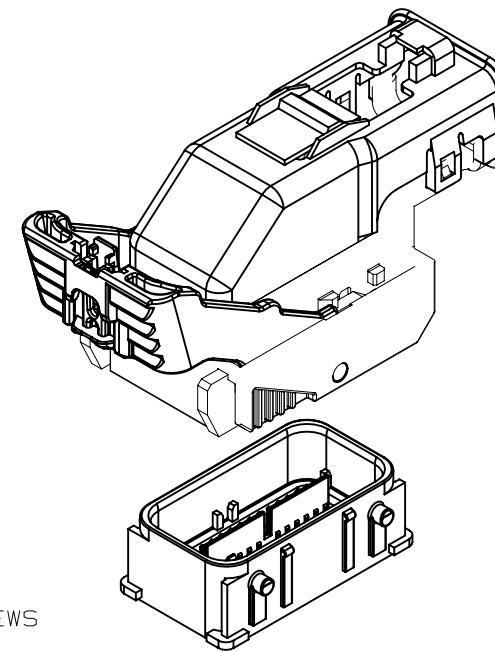
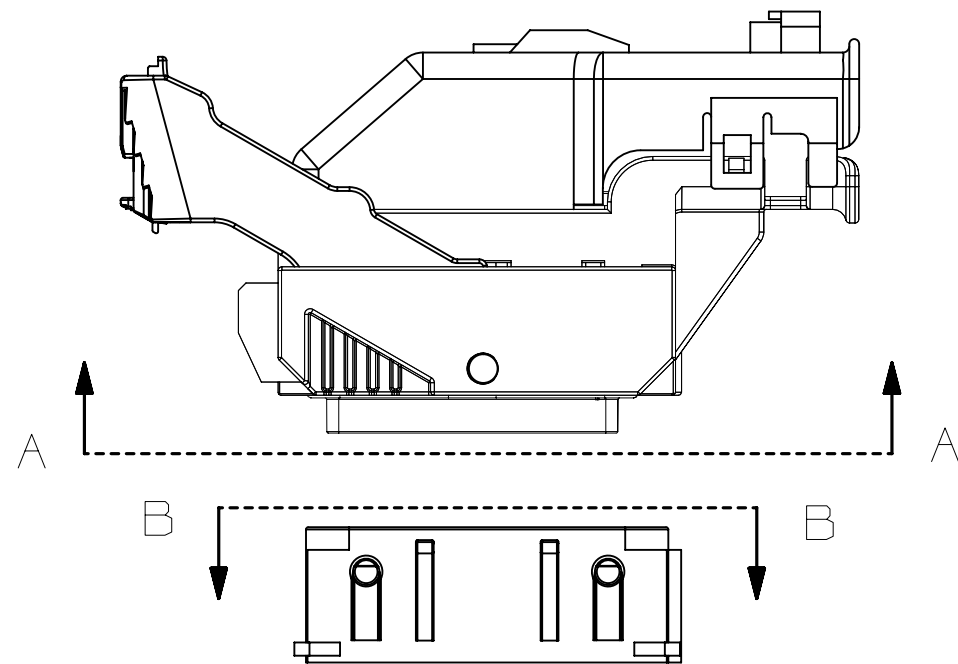


HARNESS CONNECTOR ASSEMBLY
IN FULLY-MATED POSITION

17.9 MIN. AT PAD LOCATION
CLEARANCE REQUIRED
FOR HARNESS CONNECTOR,
CONSTRUCTION BELOW THIS
PLANE IS NOT CONTROLLED

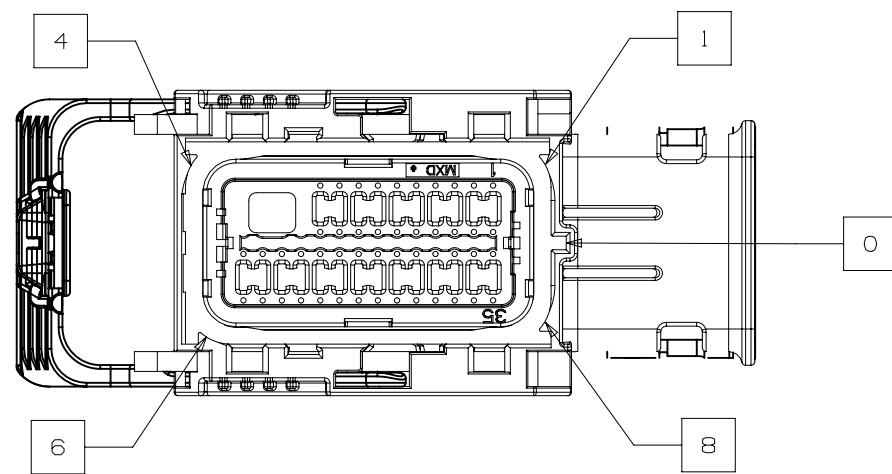
15.6 MIN.
ALL AROUND
CLEARANCE REQUIRED
FOR HARNESS CONNECTOR



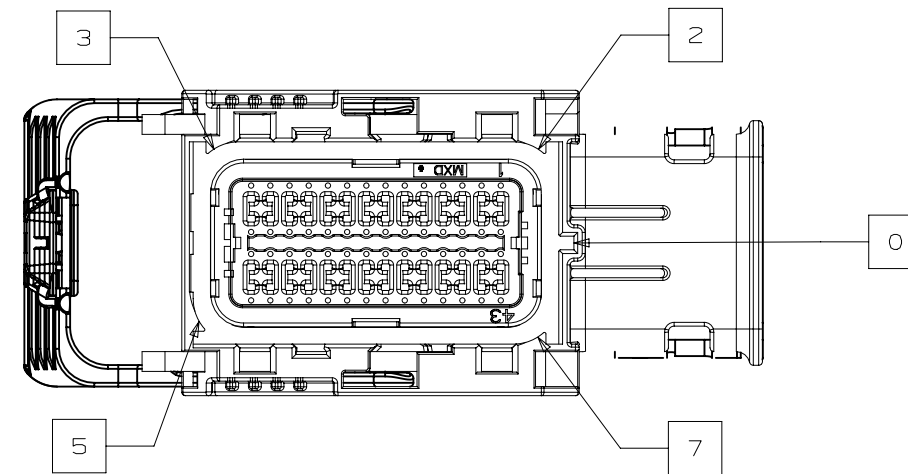


NOTE: REFERENCE THE COMPONENT TABLE FOR KEY OPTIONS AND CONFIGURATIONS

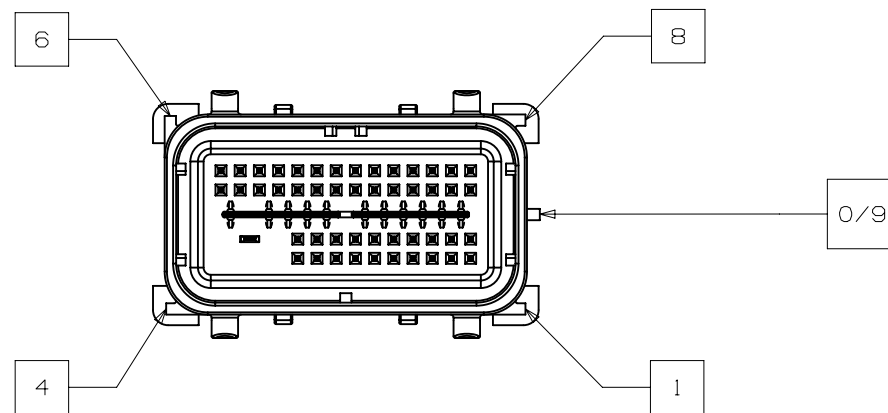
INTERFACE SIDE SHOWN IN ALL SECTION VIEWS



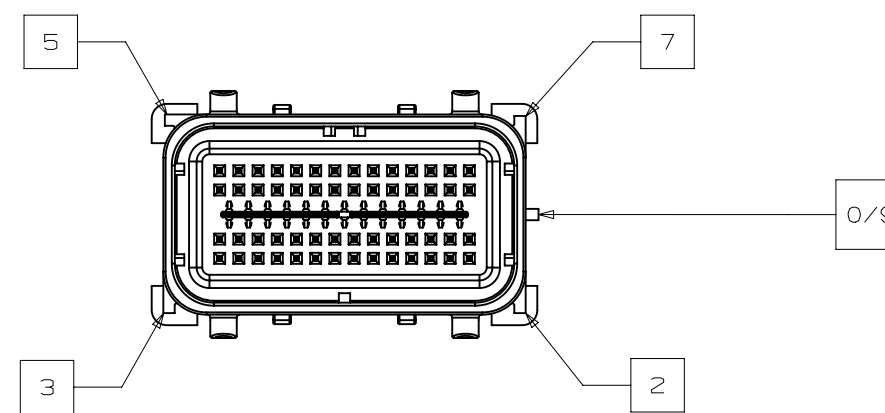
SECTION A-A
KEY OPTION B SHOWN



SECTION A-A
KEY OPTION K SHOWN



SECTION B-B
KEY OPTION B SHOWN



SECTION B-B
KEY OPTION K SHOWN

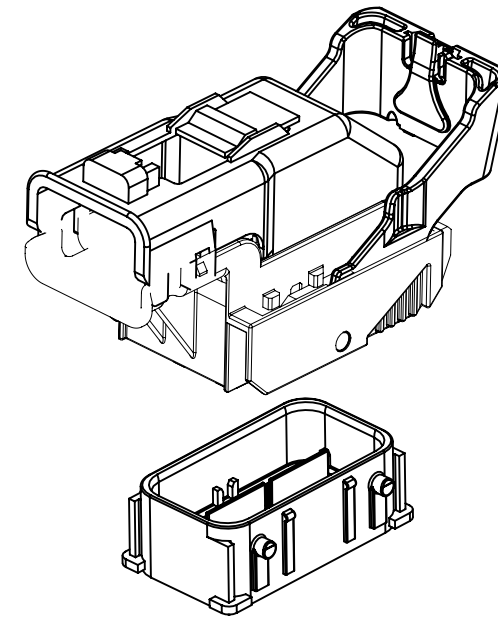
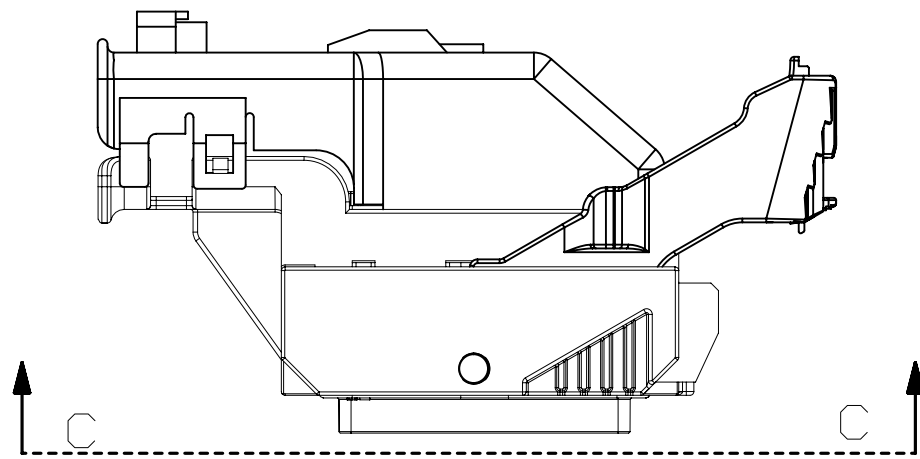


PAGE TITLE
KEY ID REF - WIRE DRESS OPTION 0

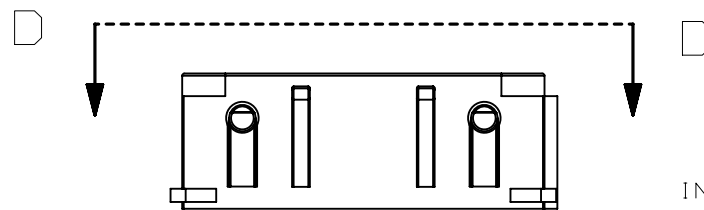
DRAWING NUMBER
12642694

| DWG STATUS | | |
|------------|-----|-----|
| ST | REV | PD1 |
| R | 001 | |

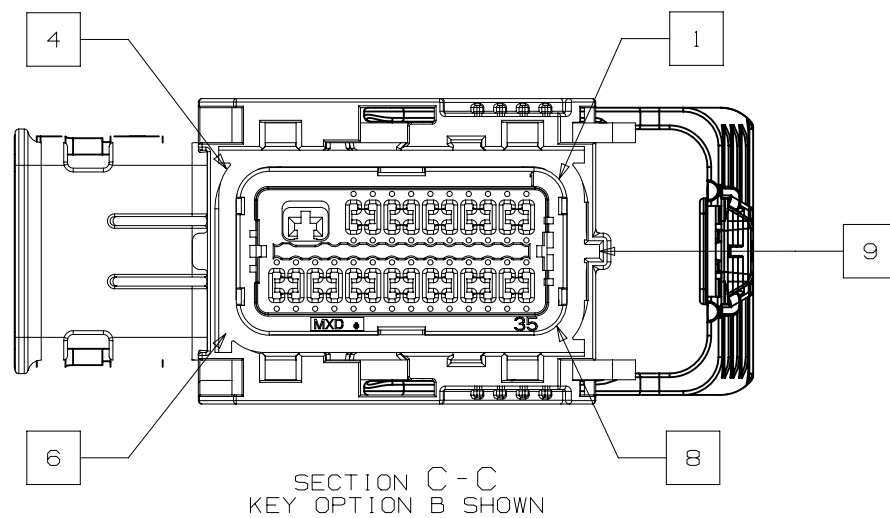
PAGE NUMBER
11 OF 22



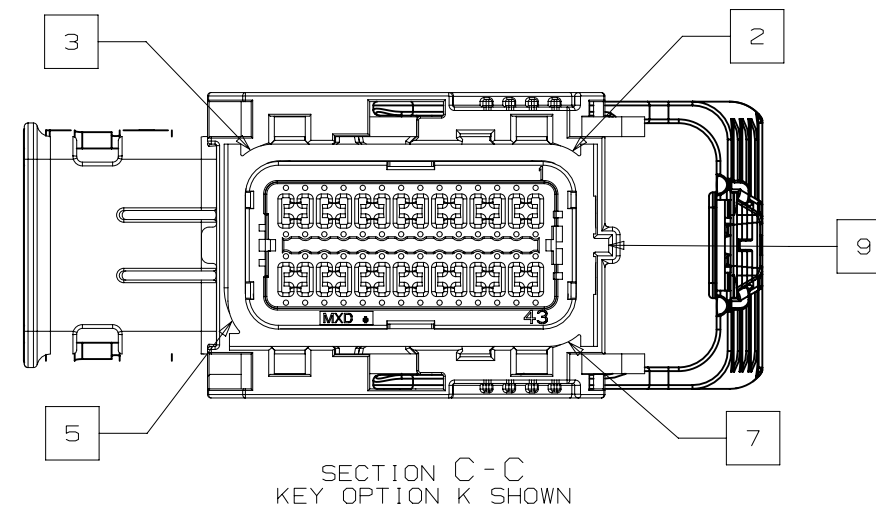
NOTE: REFERENCE THE COMPONENT TABLE FOR KEY OPTIONS AND CONFIGURATIONS



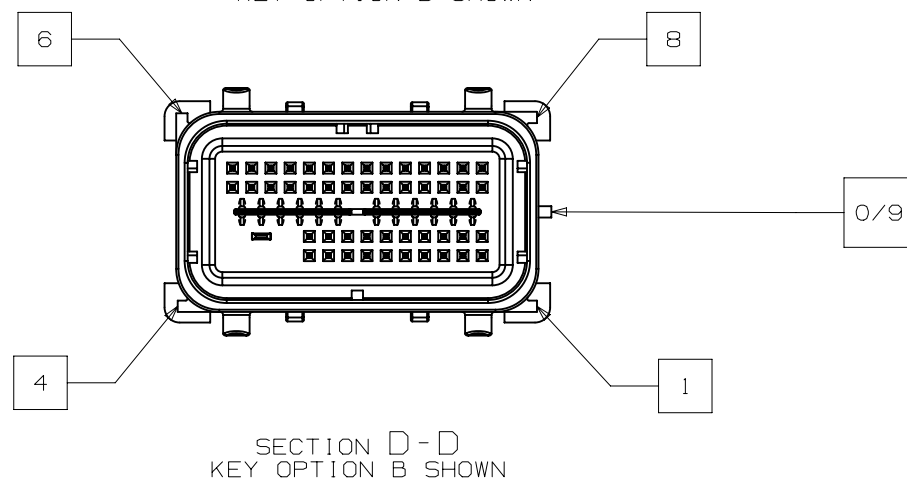
INTERFACE SIDE SHOWN ON ALL SECTION VIEWS



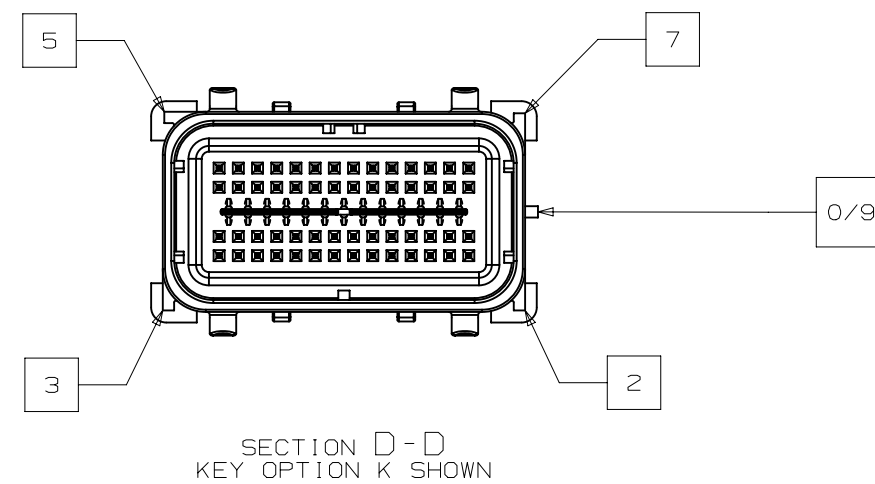
SECTION C-C
KEY OPTION B SHOWN



SECTION C-C
KEY OPTION K SHOWN



SECTION D-D
KEY OPTION B SHOWN



SECTION D-D
KEY OPTION K SHOWN

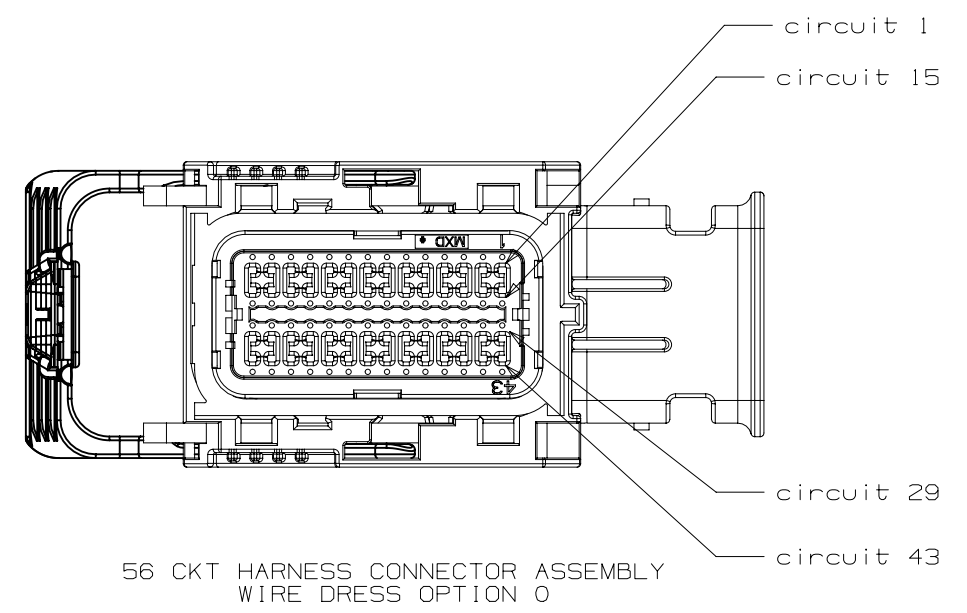
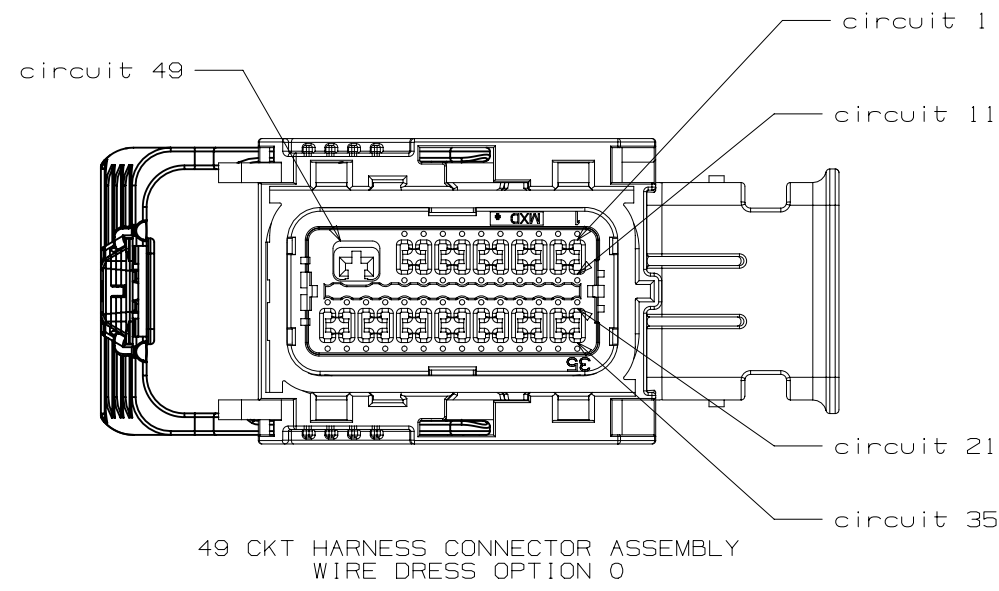


PAGE TITLE
KEY ID REF - WIRE DRESS OPTION 9

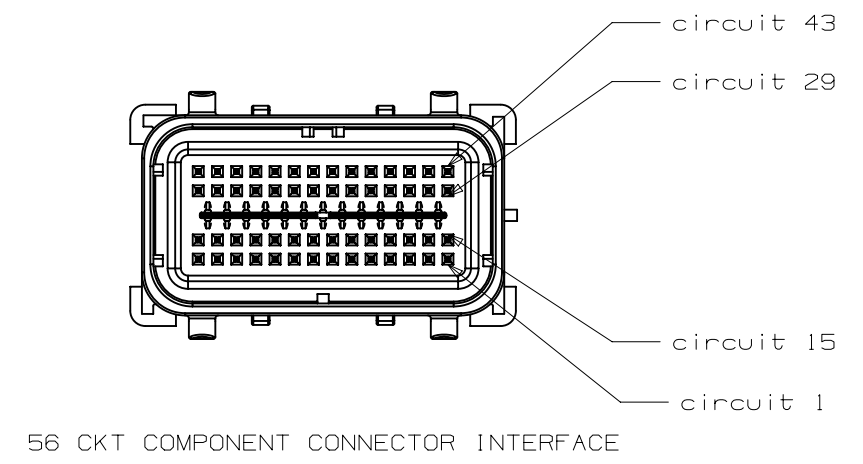
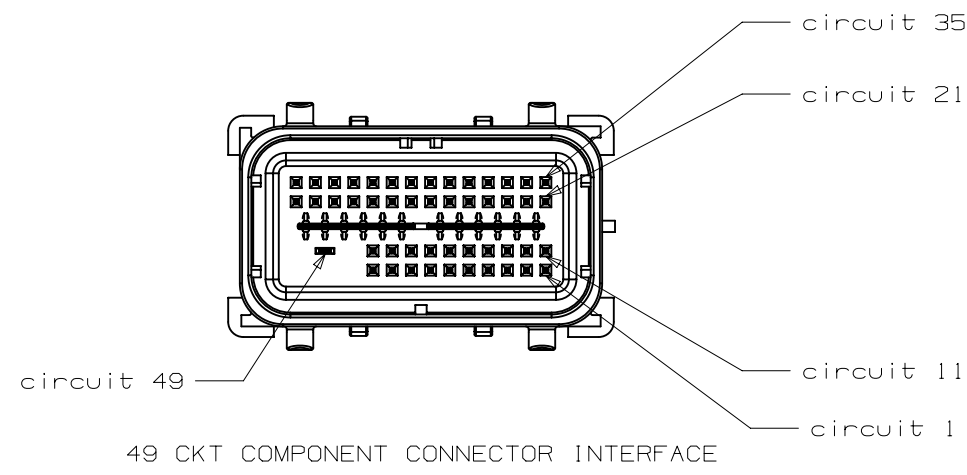
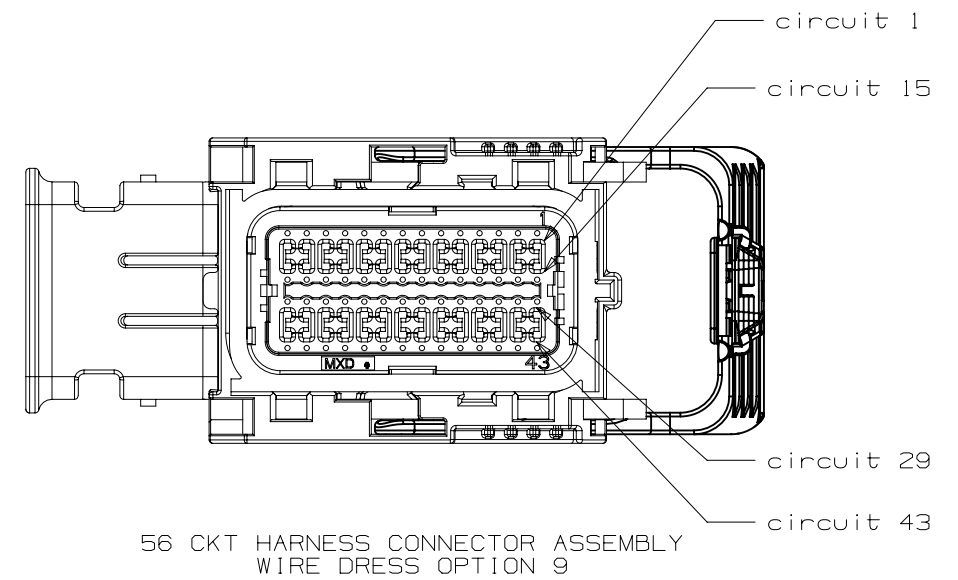
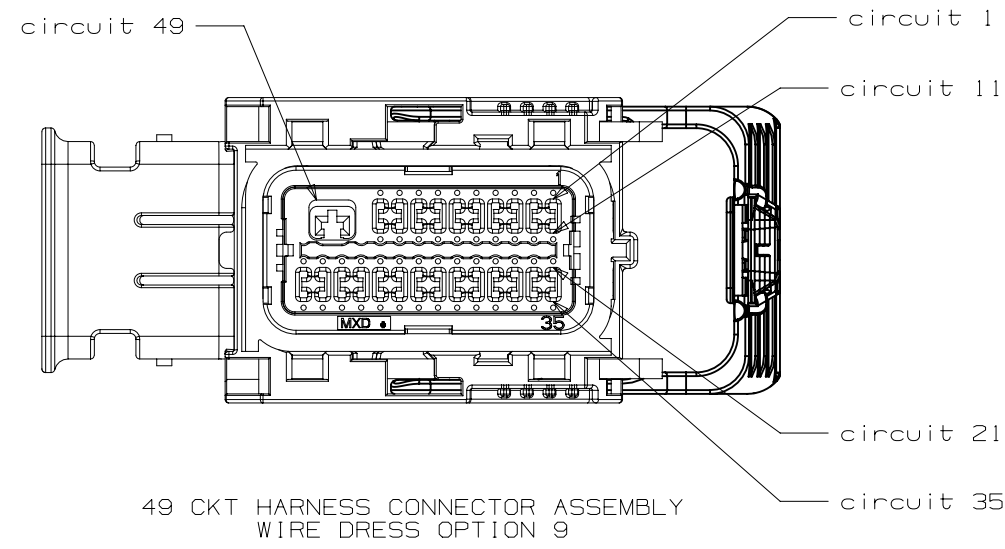
DRAWING NUMBER
12642694

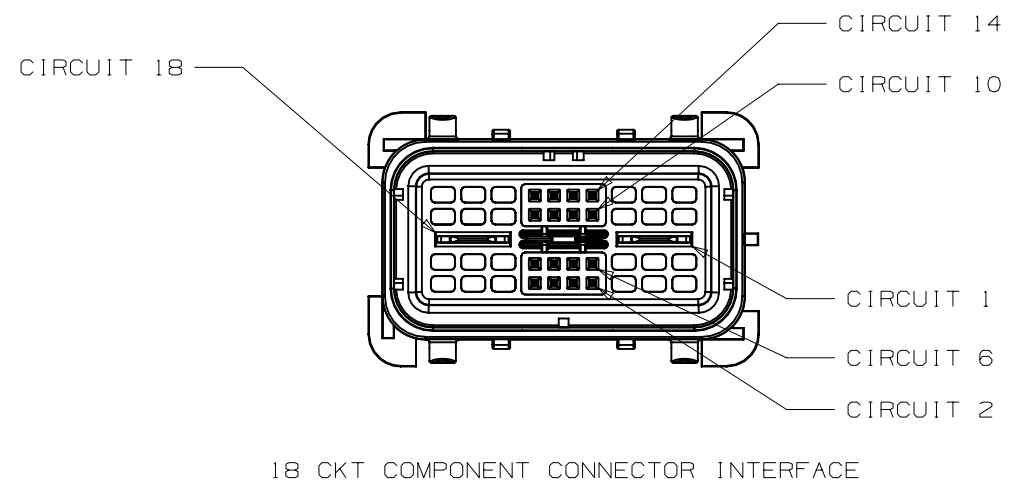
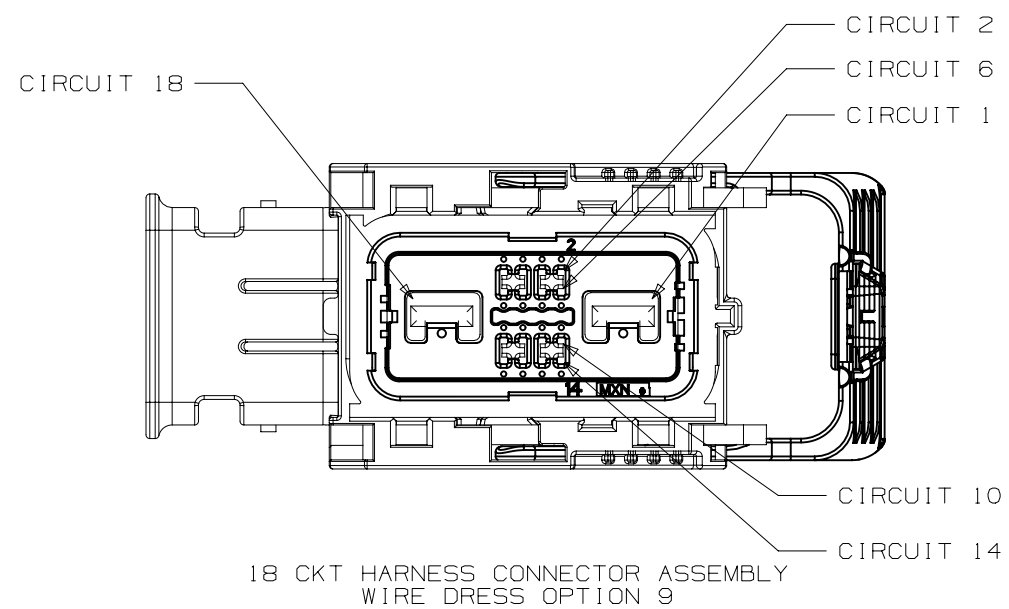
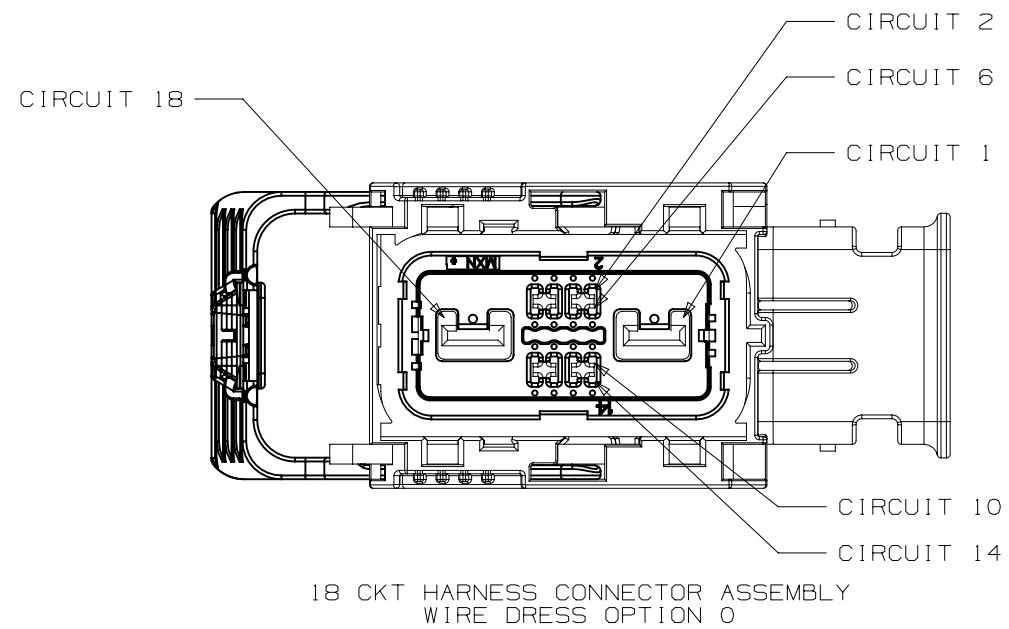
| DWG STATUS | | |
|------------|-----|-----|
| ST | REV | PD1 |
| R | 001 | |

PAGE NUMBER
12 OF 22



INTERFACE SIDE SHOWN ON ALL VIEWS





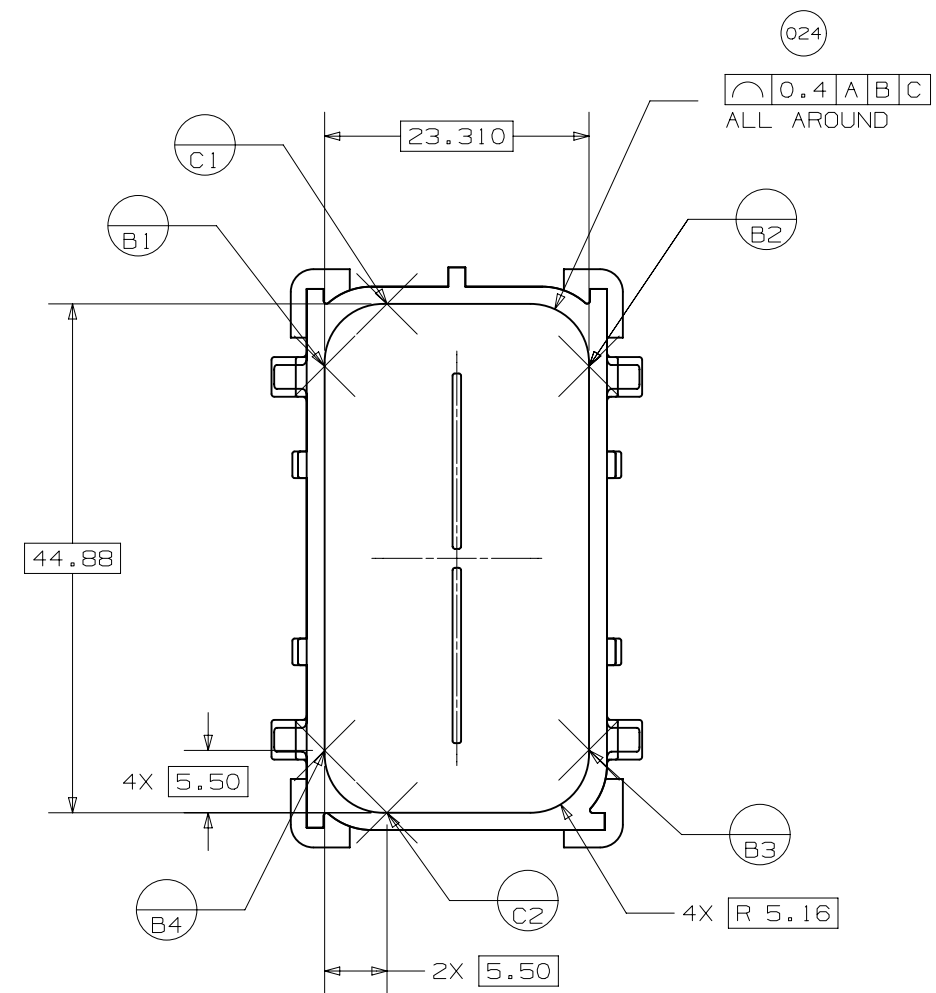
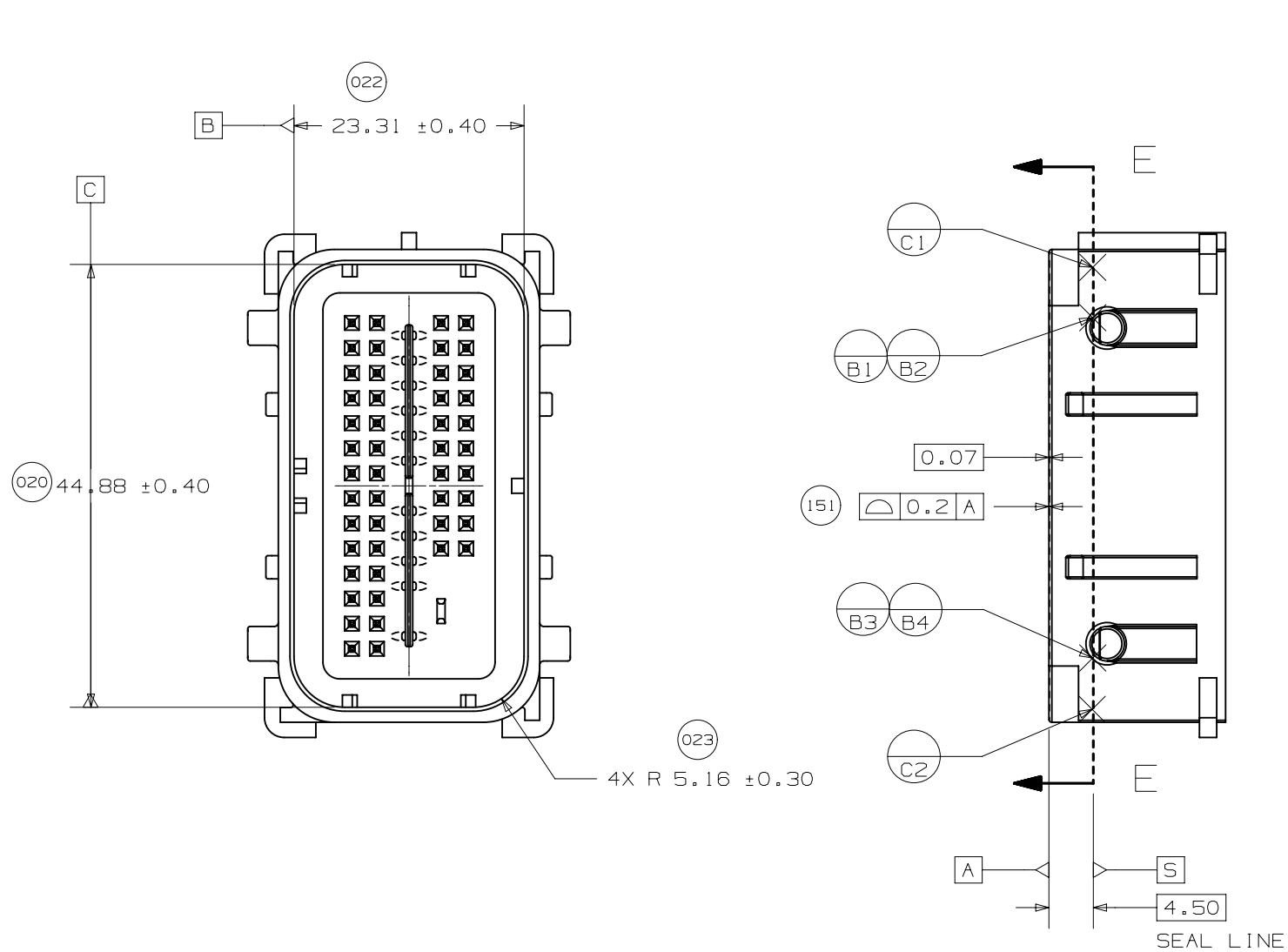
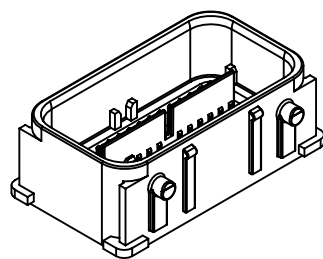
INTERFACE SIDE SHOWN ON ALL VIEWS



PAGE TITLE
CIRCUIT CONFIGURATIONS

DRAWING NUMBER
12642694

| DWG STATUS | | | PAGE NUMBER | |
|------------|-----|-----|-------------|-------|
| ST | REV | PDI | 14 | OF 22 |
| R | 001 | | | |



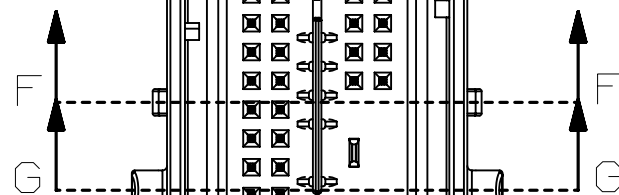
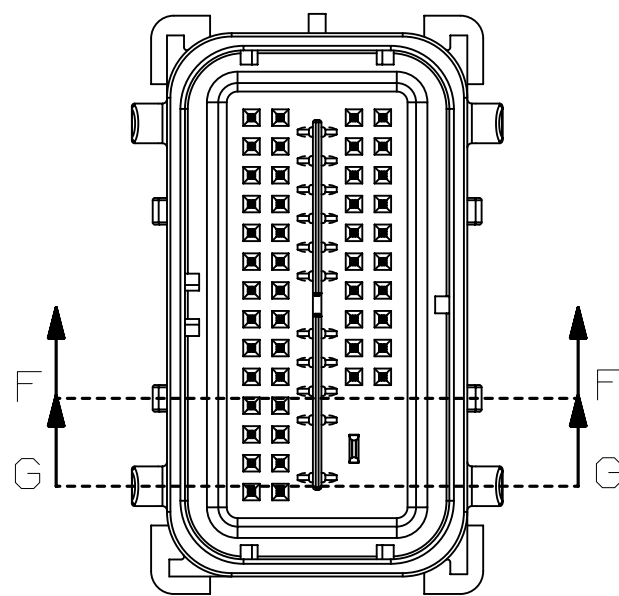
UNLESS SPECIFIED, TOLERANCE OF THE DEVICE INTERFACE TO BE $\nabla 0.13 \text{ A B C}$



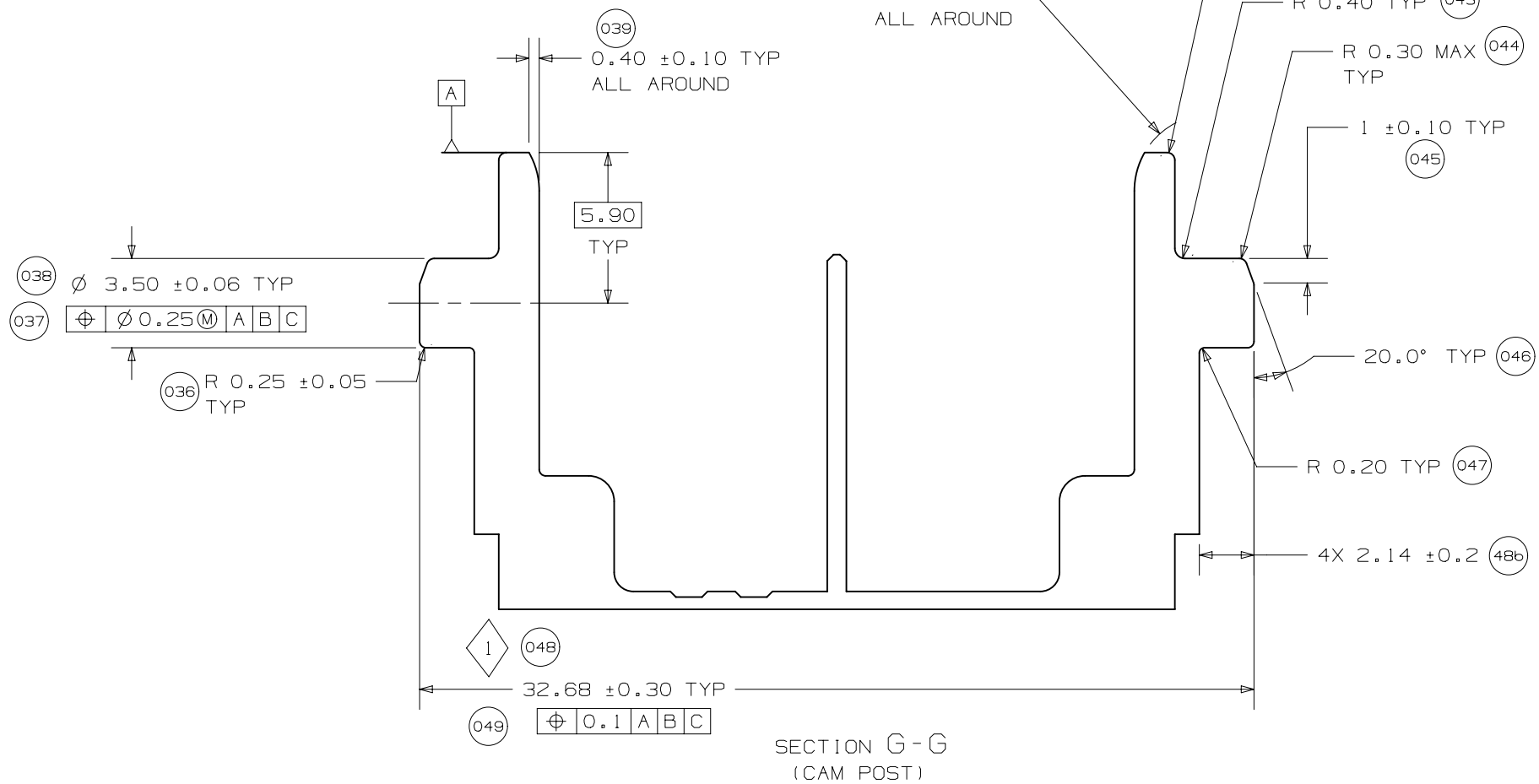
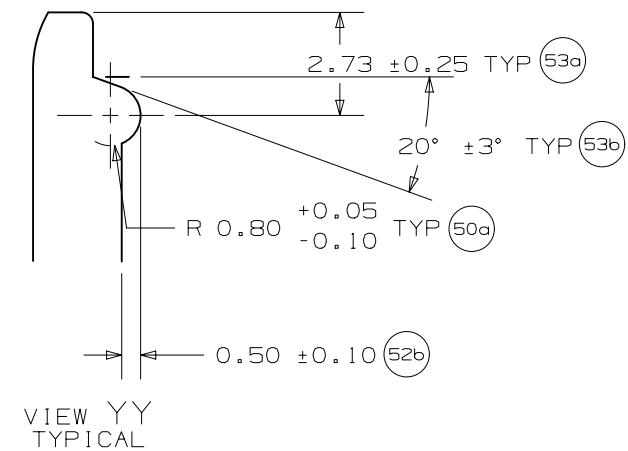
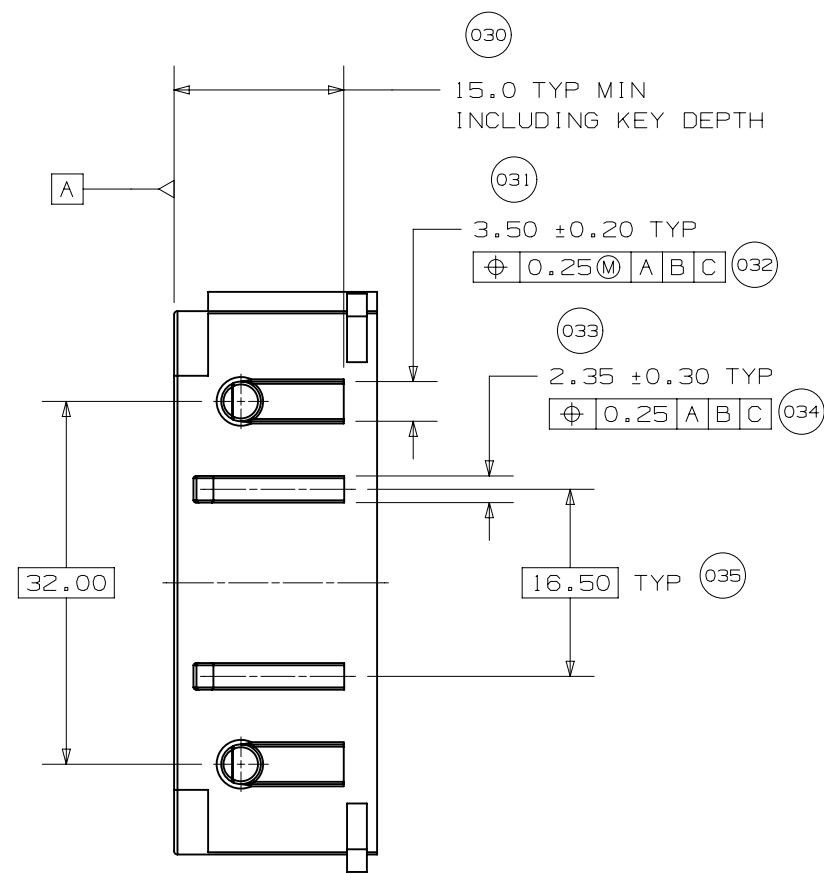
PAGE TITLE
COMPONENT CONNECTOR INTERFACE

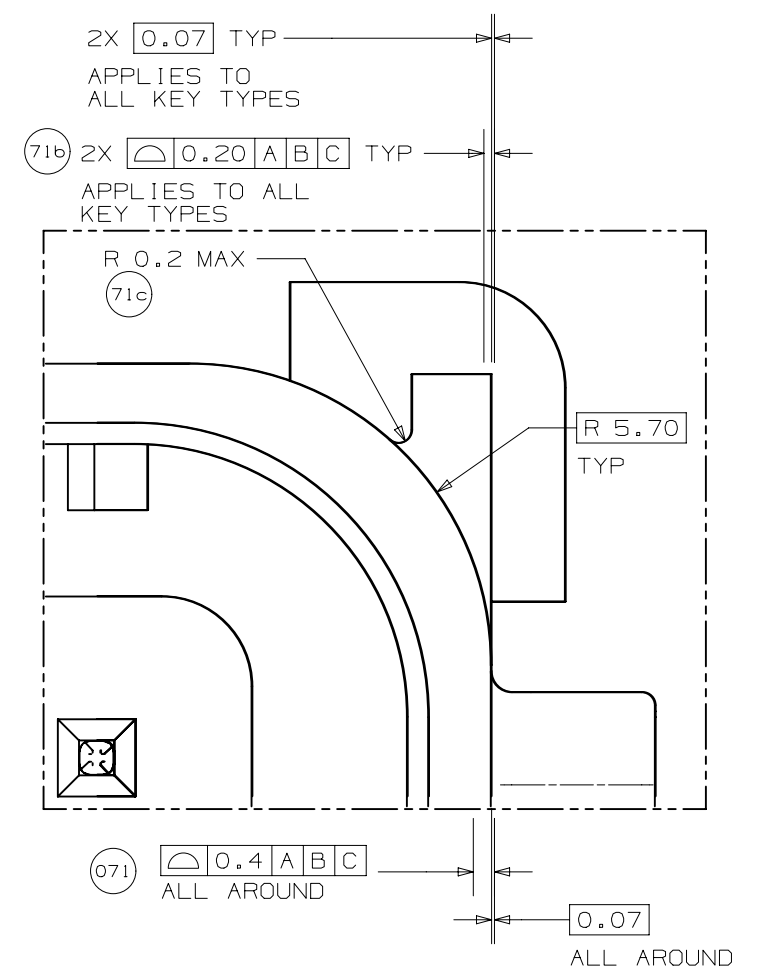
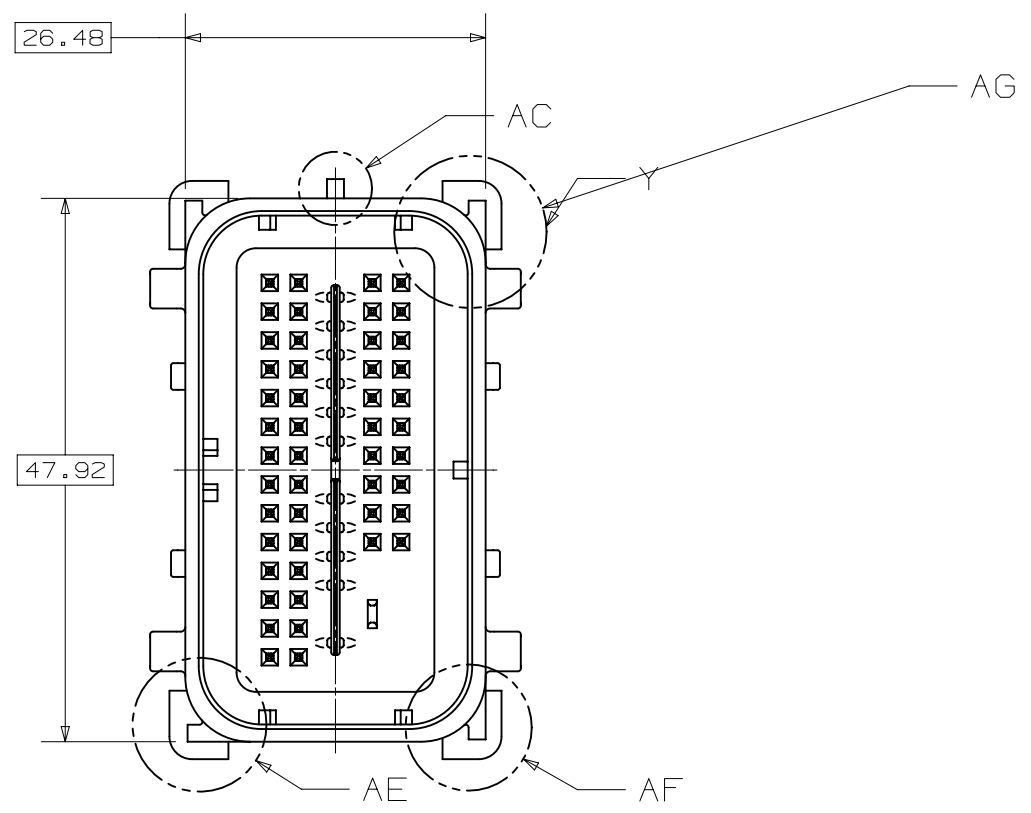
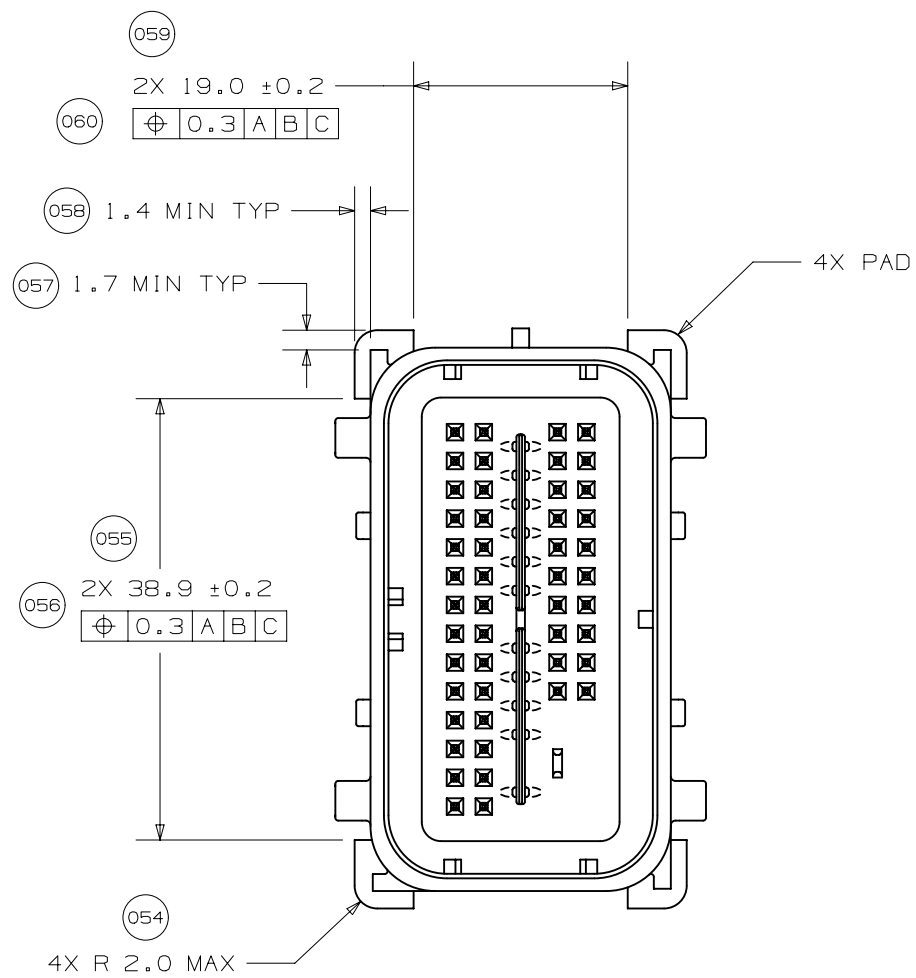
DRAWING NUMBER
12642694

| DWG STATUS | | | PAGE NUMBER |
|------------|-----|-----|-------------|
| ST | REV | PD1 | |
| R | 001 | | 15 of 22 |

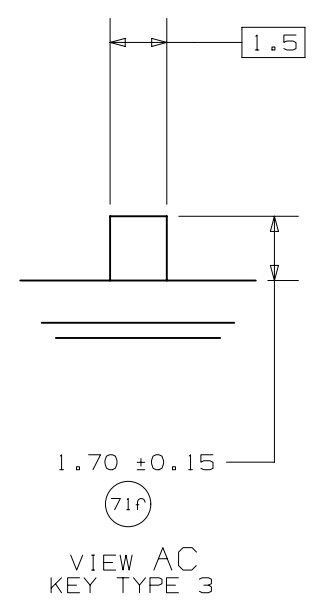
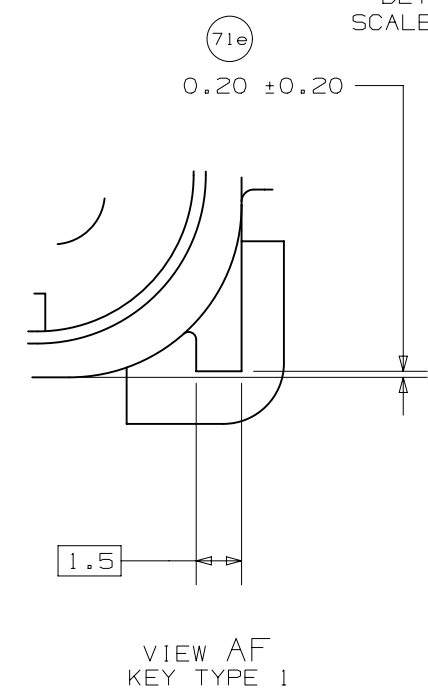
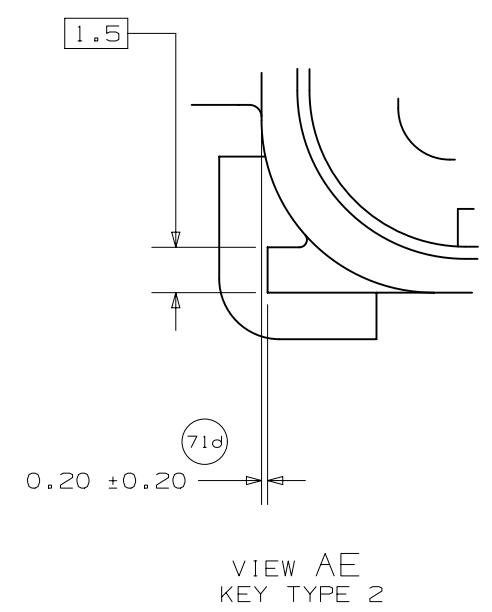
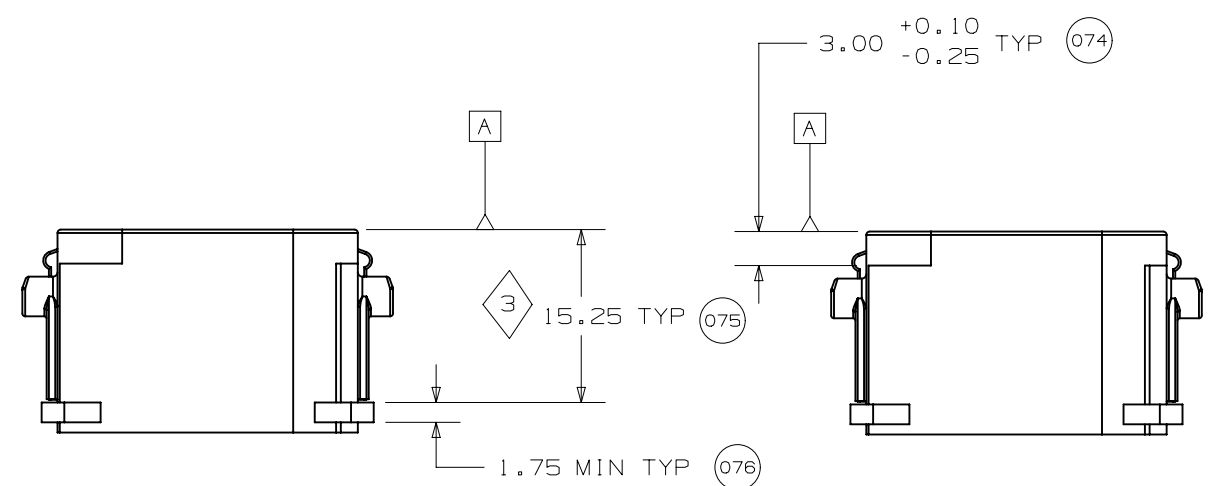


SECTION F - F
(RELEASE FEATURE)





DETAIL Y
SCALE 7:1

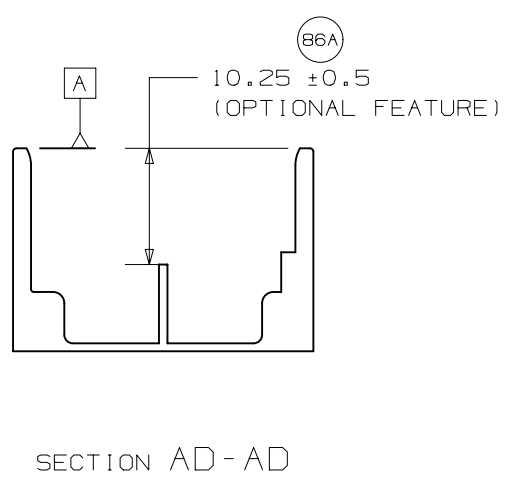
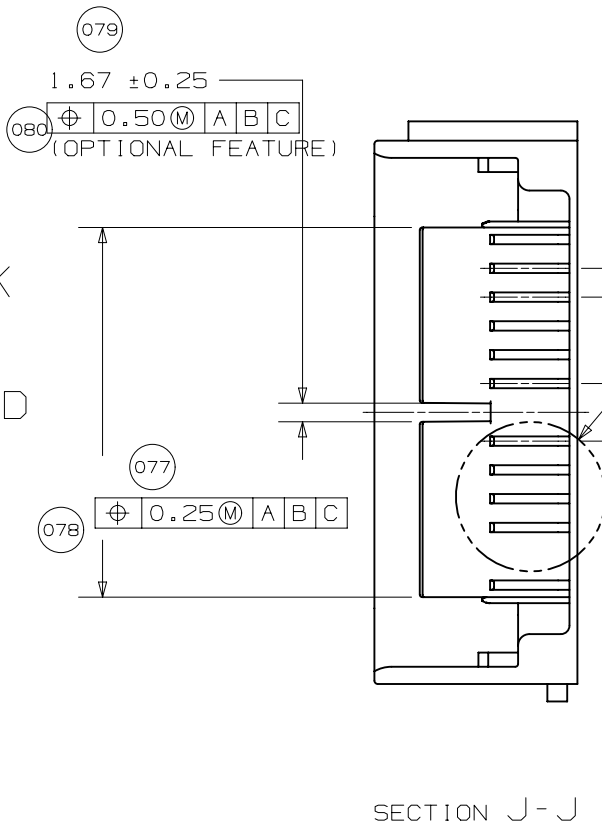
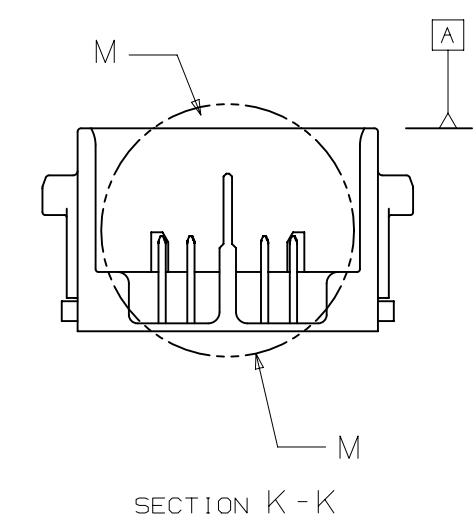
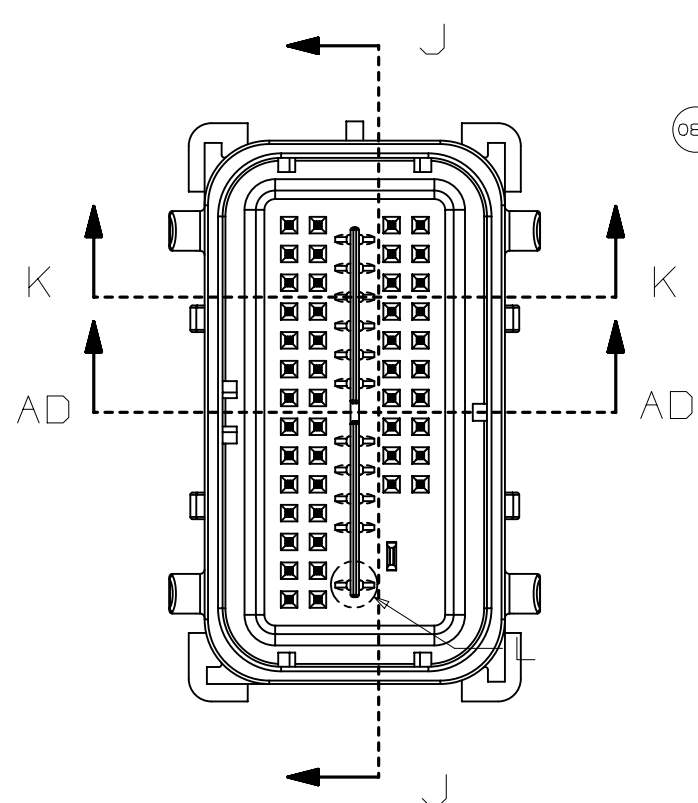


PAGE TITLE
COMPONENT CONNECTOR INTERFACE

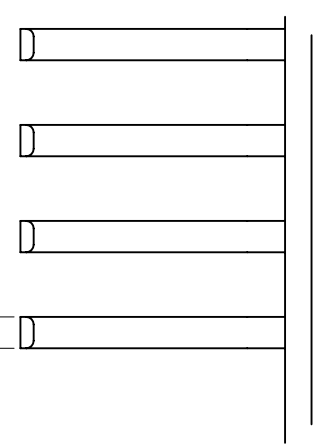
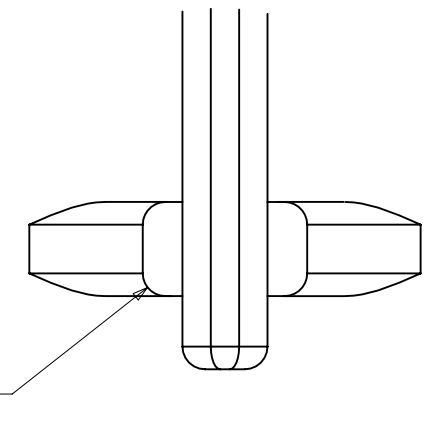
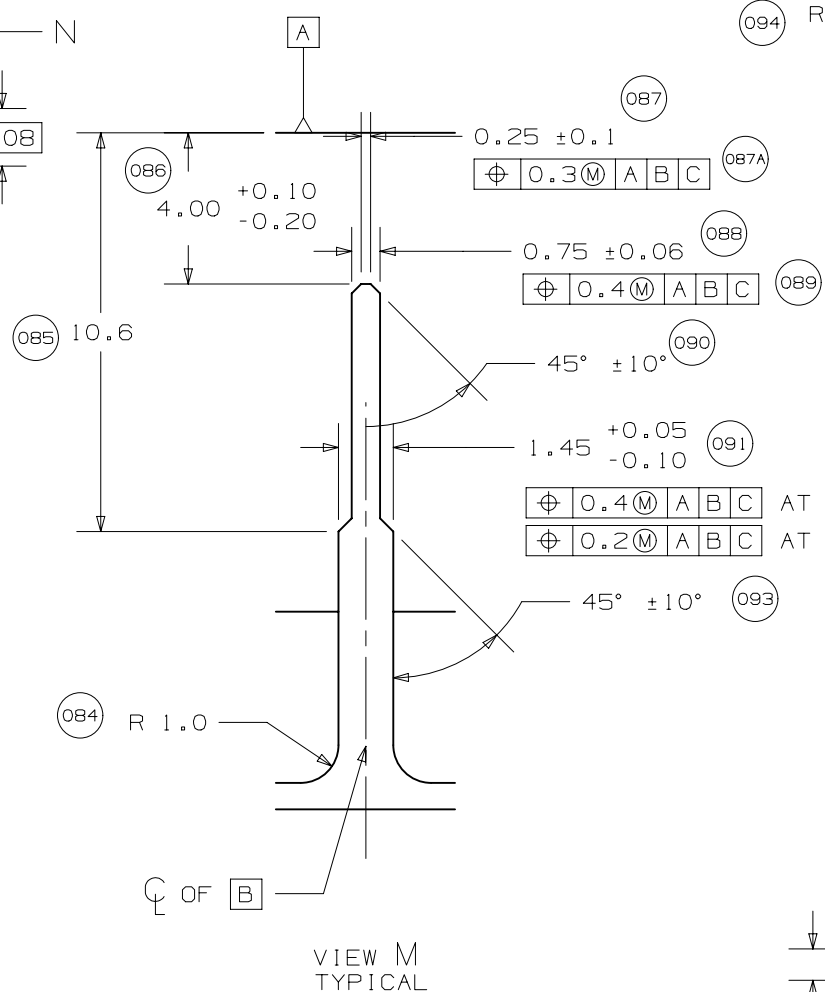
DRAWING NUMBER
12642694

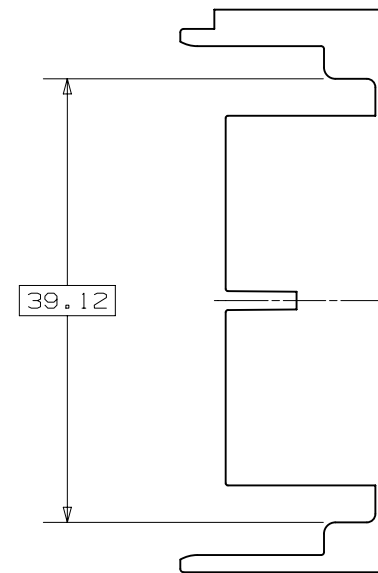
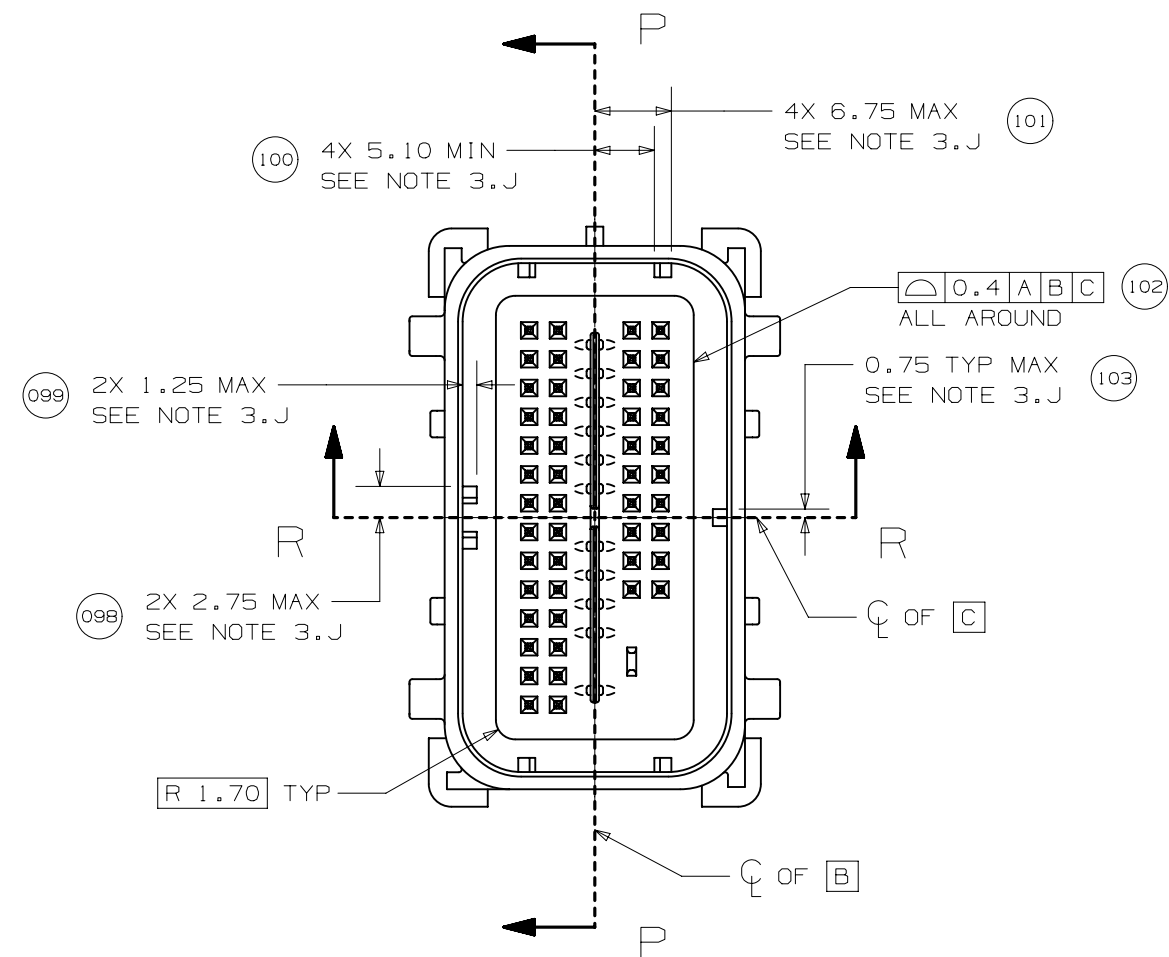
| DWG STATUS | | |
|------------|-----|-----|
| ST | REV | PD1 |
| R | 001 | |

PAGE NUMBER
17 OF 22

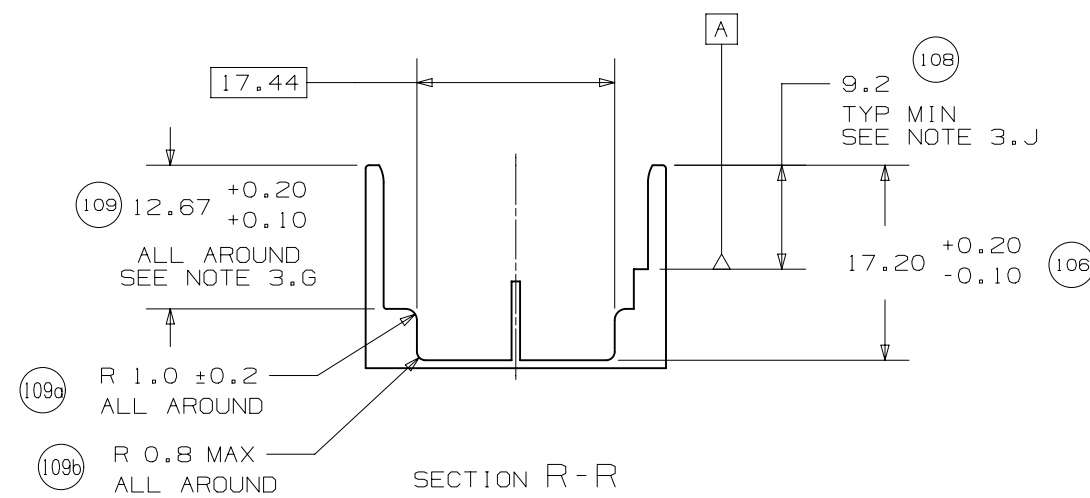


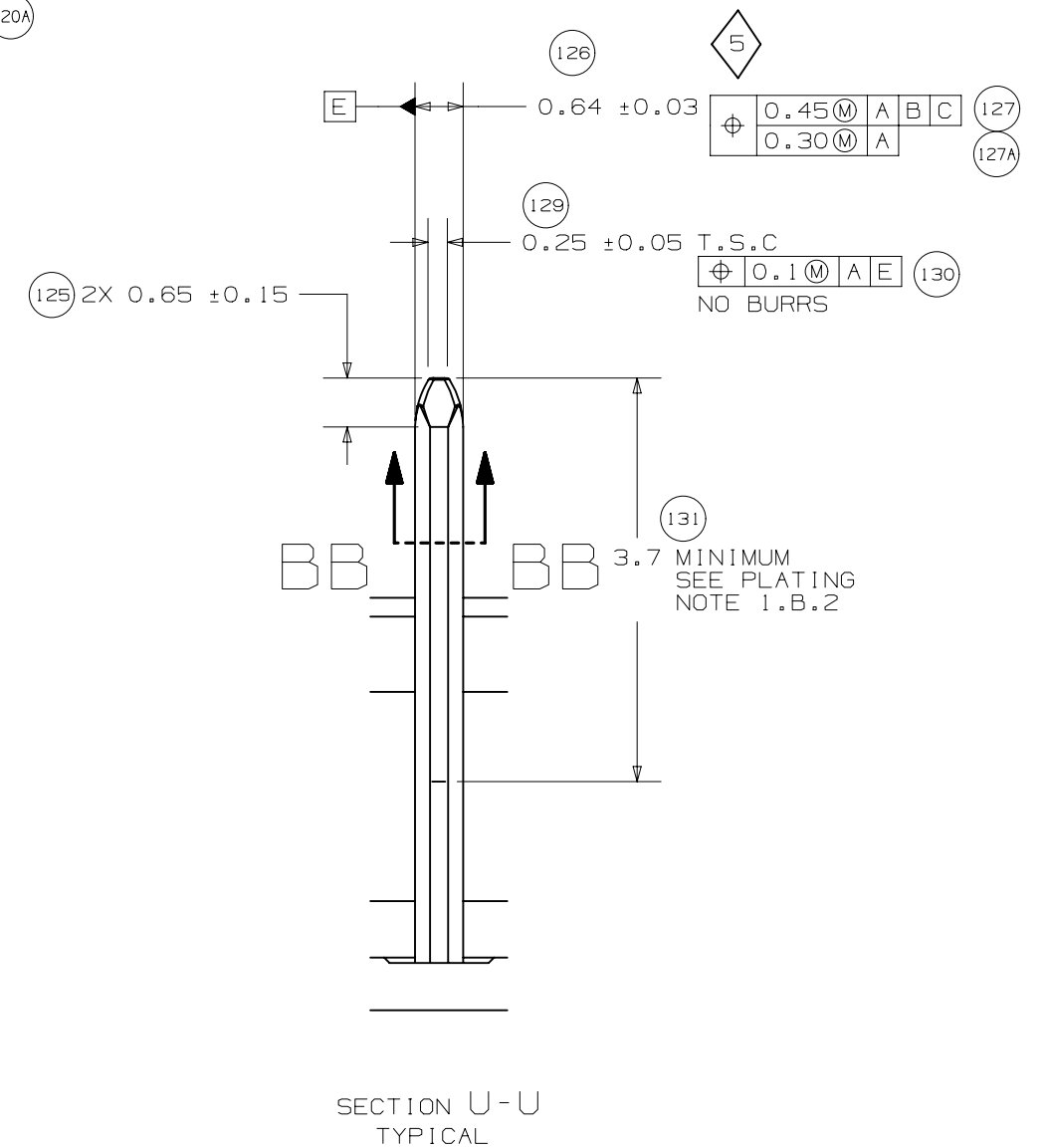
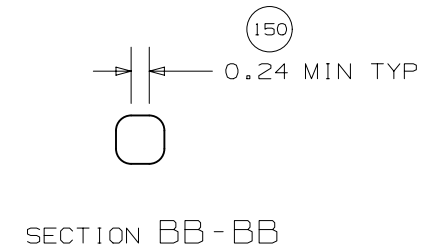
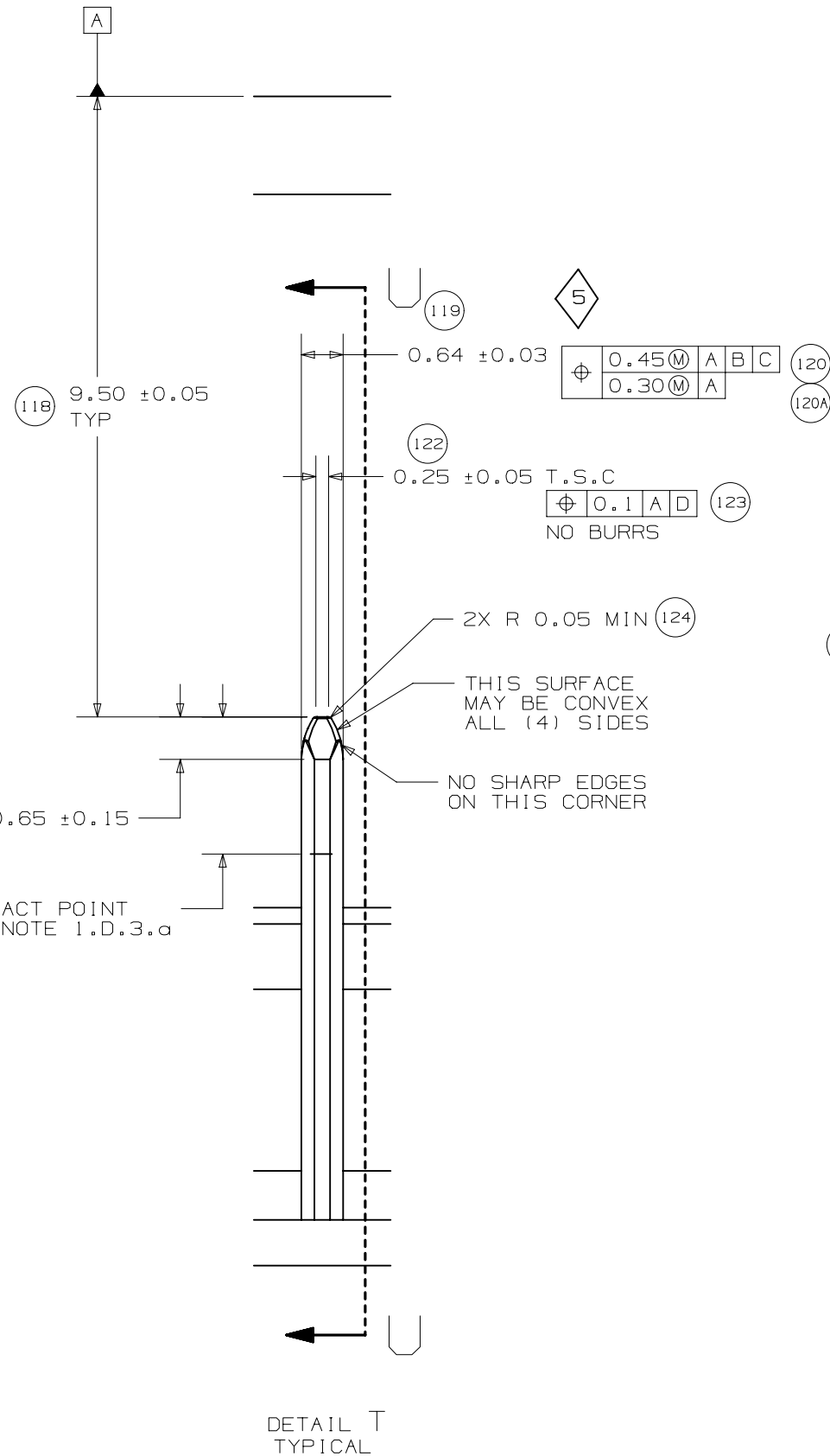
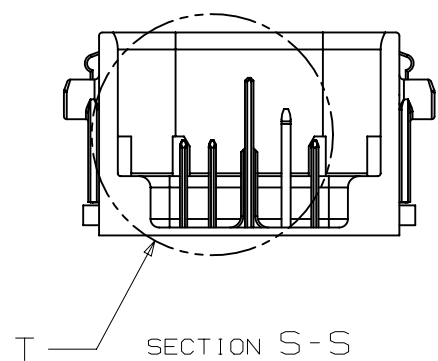
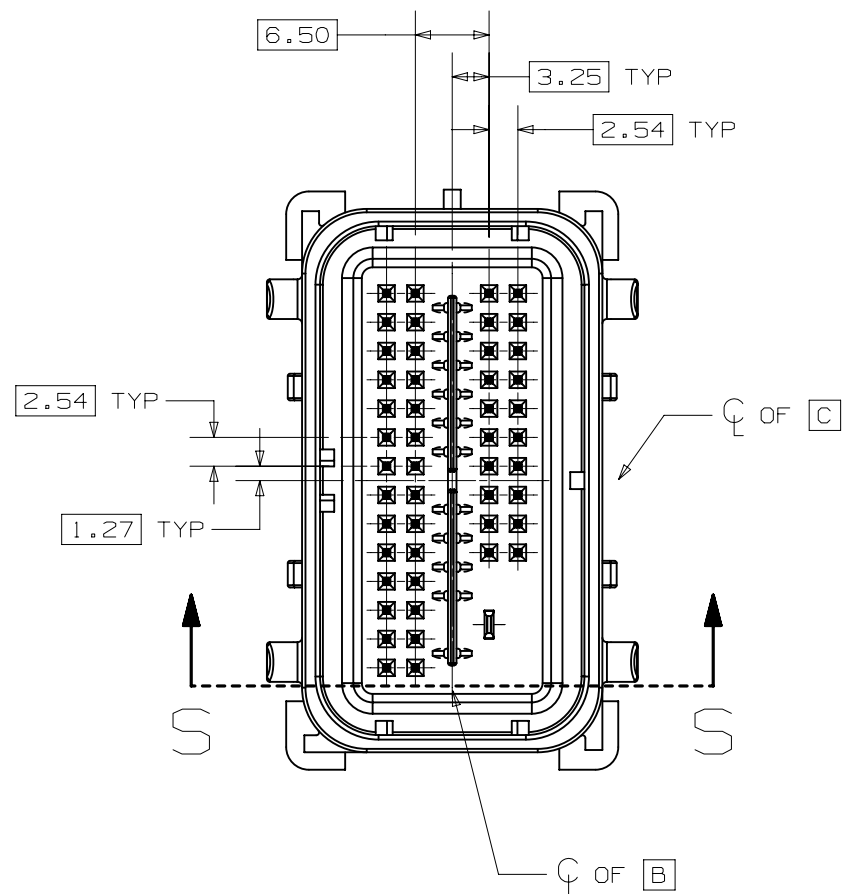
| CKT | DIM 077 |
|-------------|-------------------|
| 49 / 56 CKT | 32.60 +0.10/-0.80 |
| 18 CKT | 10.04 +0.10/-0.80 |

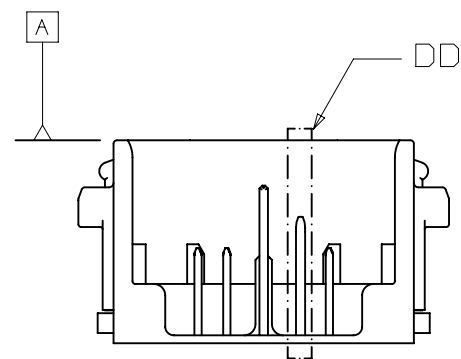
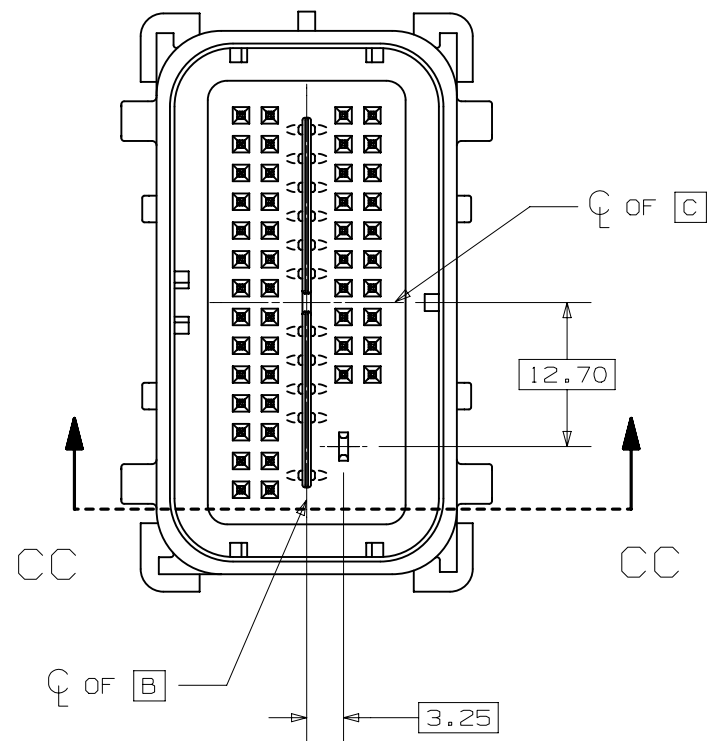




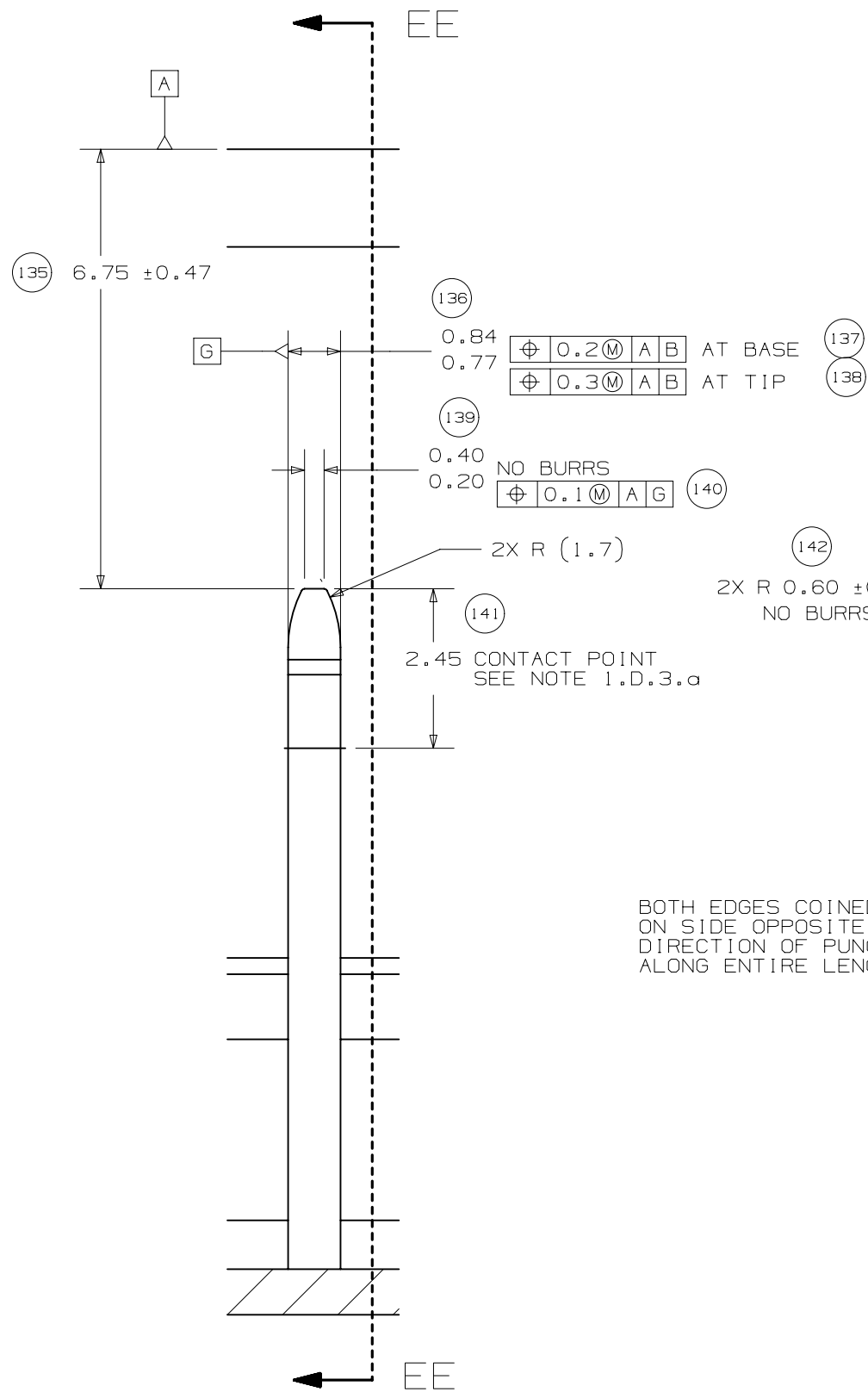
SECTION P-P



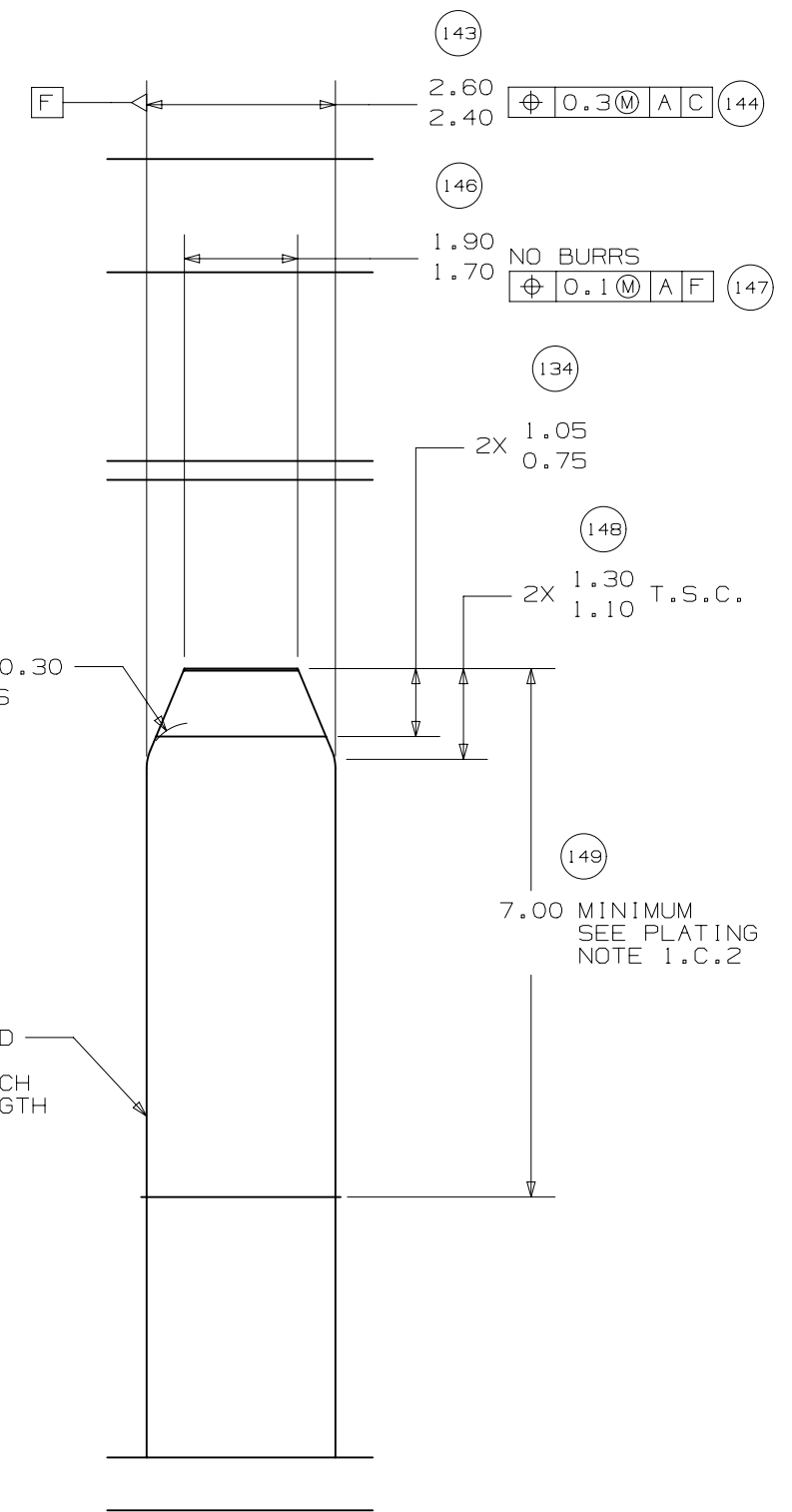




SECTION CC-CC



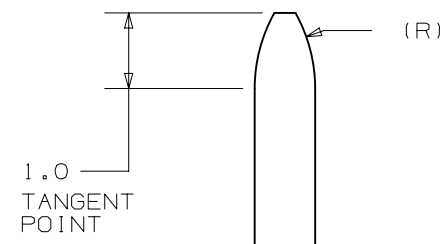
DETAIL DD
TYPICAL



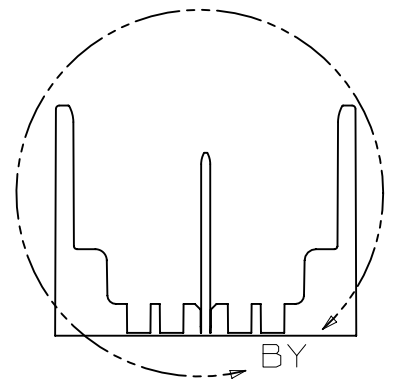
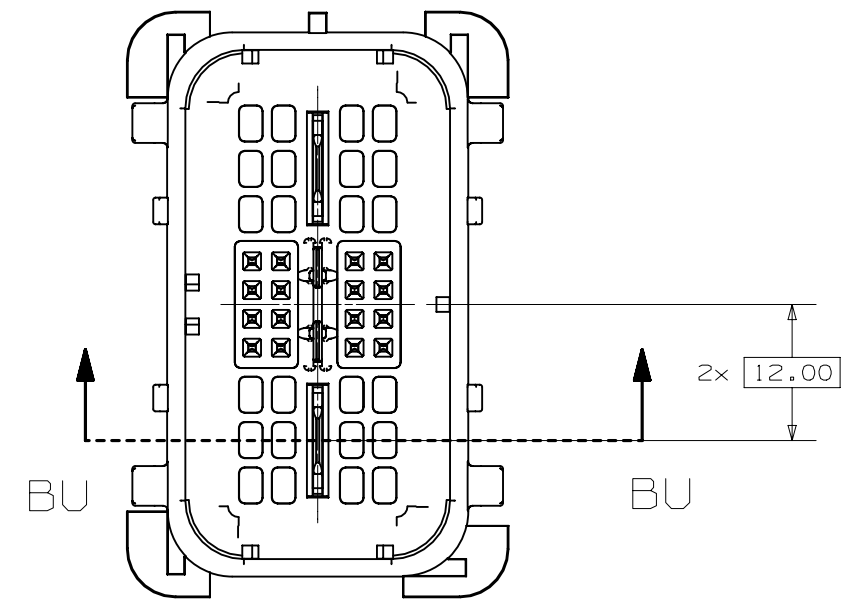
SECTION EE-EE
TYPICAL

BOTH EDGES COINED
ON SIDE OPPOSITE
DIRECTION OF PUNCH
ALONG ENTIRE LENGTH

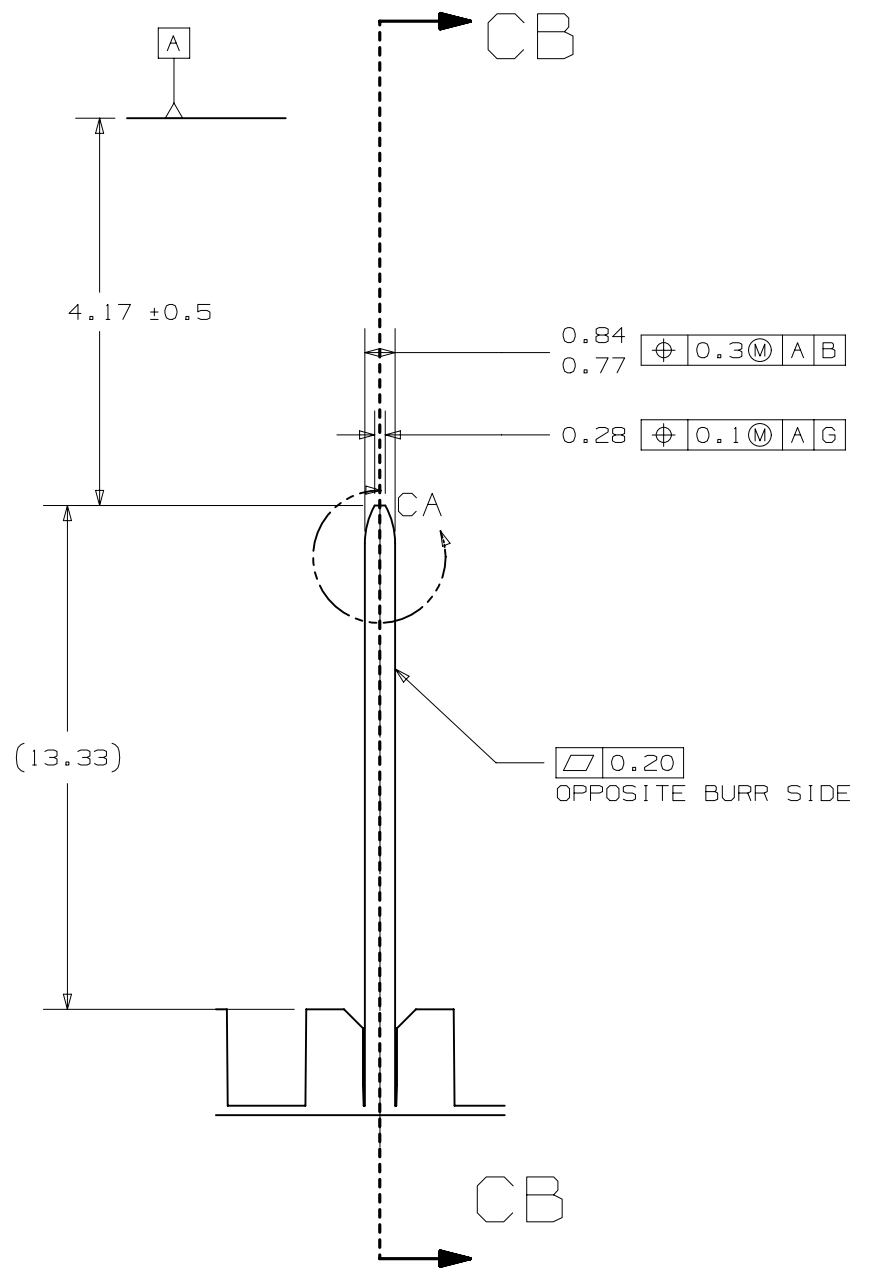




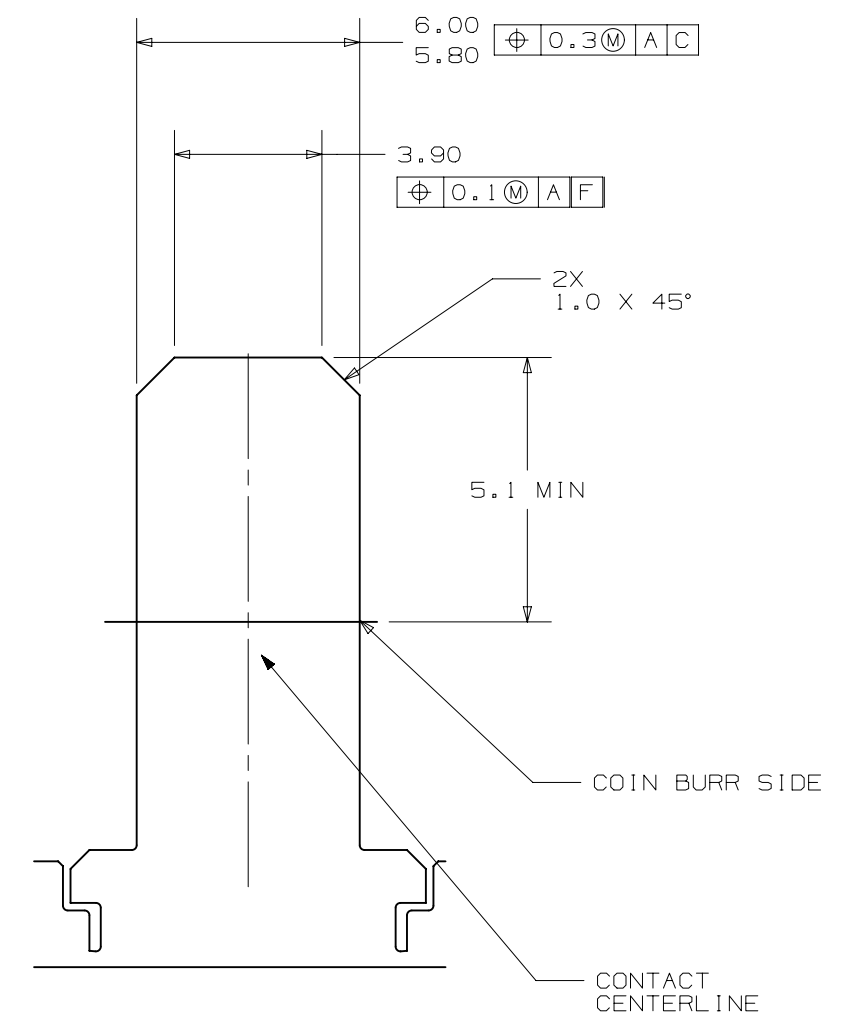
VIEW CA
SCALE 10:1



SECTION BU-BU



VIEW BY
SCALE 5:1



SECTION CB-CB



PAGE TITLE
COMPONENT CONNECTOR INTERFACE

DRAWING NUMBER
12642694

| DWG STATUS | | |
|------------|-----|-----|
| ST | REV | PD1 |
| R | 001 | |

PAGE NUMBER
22 OF 22

| ASSEMBLY DESCRIPTION | ASSEMBLY PART NUMBER | CONNECTOR HOUSING | GROMMET CAP | TPA | RIGHT SLIDE | LEFT SLIDE | MATE ASSIST LEVER | CPA | MAT SEAL | RING SEAL | BLOCKED TERMINALS | | | | | | | | | | | | | | STATUS | COMMENTS | INTEGRAL COMPONENTS SOLD SEPARATELY DRESS COVER |
|--|----------------------|-------------------|-------------|--------|-------------|------------|-------------------|-----|----------|-----------|--|----|----|----|----|----|----|----|----|----|----|----|----|----|--------|----------|---|
| | | | | | | | | | | | CAVITY WITH A NUMBER INDICATES BLOCKED TERMINAL POSITION | | | | | | | | | | | | | | | | |
| | | | | | | | | | | | CAVITY WITHOUT A NUMBER INDICATES OPEN TERMINAL POSITION | | | | | | | | | | | | | | | | |
| MX123 CONN ASSY 49 CKT BLK OPTO KEY A/24 | 345767553 | C-HSG-A0 | G-CAP-0-P | TPA-A0 | RS | LS | MAL | CPA | MSEAL | RSEAL | - | 47 | - | 45 | - | - | 42 | 41 | - | - | - | 37 | 36 | - | | | |
| | | | | | | | | | | | - | - | - | - | 30 | - | 28 | 27 | - | - | - | - | 22 | - | | | |
| | | | | | | | | | | | - | | | | | | | | | | | | | | | | |
| | | | | | | | | | | | 20 | 19 | 18 | 17 | 16 | 15 | 14 | 13 | 12 | - | | | | | | | |
| | | | | | | | | | | | 10 | 9 | - | - | 6 | 5 | 4 | - | 2 | - | | | | | | | |
| MX123 CONN ASSY 49 CKT BLU OPTO KEY C/35 | 345767563 | C-HSG-C0 | G-CAP-0-P | TPA-C0 | RS | LS | MAL | CPA | MSEAL | RSEAL | - | - | - | - | - | 43 | 42 | - | - | - | - | - | - | 35 | | | |
| | | | | | | | | | | | - | - | - | 31 | - | 29 | 28 | 27 | 26 | 25 | - | - | 22 | - | | | |
| | | | | | | | | | | | - | | | | | | | | | | | | | | | | |
| | | | | | | | | | | | 20 | 19 | - | - | - | - | - | - | - | 11 | | | | | | | |
| | | | | | | | | | | | - | - | - | - | - | 4 | - | - | - | | | | | | | | |
| MX123 CONN ASSY 49 CKT BLU OPT9 KEY C/34 | 345767613 | C-HSG-C9 | G-CAP-9-P | TPA-C9 | RS | LS | MAL | CPA | MSEAL | RSEAL | - | - | 46 | - | - | 43 | 42 | - | - | - | - | - | - | 35 | | | |
| | | | | | | | | | | | - | - | - | 31 | - | 29 | 28 | 27 | 26 | 25 | - | - | 22 | - | | | |
| | | | | | | | | | | | - | | | | | | | | | | | | | | | | |
| | | | | | | | | | | | 20 | 19 | - | - | - | - | - | - | - | 11 | | | | | | | |
| | | | | | | | | | | | - | - | - | - | - | 4 | - | - | - | | | | | | | | |
| MX123 CONN ASSY 49 CKT BLK OPT9 KEY A/26 | 345767623 | C-HSG-A9 | G-CAP-9-P | TPA-A9 | RS | LS | MAL | CPA | MSEAL | RSEAL | - | 47 | - | 45 | - | - | - | 41 | - | - | - | 37 | 36 | - | | | |
| | | | | | | | | | | | - | - | - | - | 30 | - | - | 27 | - | - | - | - | 22 | - | | | |
| | | | | | | | | | | | - | | | | | | | | | | | | | | | | |
| | | | | | | | | | | | 20 | 19 | 18 | 17 | 16 | 15 | 14 | 13 | 12 | - | | | | | | | |
| | | | | | | | | | | | 10 | 9 | - | - | 6 | 5 | 4 | - | 2 | - | | | | | | | |
| MX123 CONN ASSY 49 CKT BLK OPTO KEY A/35 | 345767633 | C-HSG-A0 | G-CAP-0-P | TPA-A0 | RS | LS | MAL | CPA | MSEAL | RSEAL | - | - | - | - | - | 43 | 42 | - | - | - | - | - | - | 35 | | | |
| | | | | | | | | | | | - | - | - | 31 | - | 29 | 28 | 27 | 26 | 25 | - | - | 22 | - | | | |
| | | | | | | | | | | | - | | | | | | | | | | | | | | | | |
| | | | | | | | | | | | 20 | 19 | - | - | - | - | - | - | - | 11 | | | | | | | |
| | | | | | | | | | | | - | - | - | - | - | 4 | - | - | - | | | | | | | | |
| MX123 CONN ASSY 49 CKT BLU OPTO KEY C/38 | 345767653 | C-HSG-C0 | G-CAP-0-P | TPA-C0 | RS | LS | MAL | CPA | MSEAL | RSEAL | - | - | - | - | 44 | 43 | 42 | 41 | - | 39 | - | - | - | 35 | | | |
| | | | | | | | | | | | - | 33 | - | - | 30 | - | 28 | 27 | 26 | - | - | - | - | 21 | | | |
| | | | | | | | | | | | - | | | | | | | | | | | | | | | | |
| | | | | | | | | | | | - | - | - | - | - | 15 | 14 | 13 | - | 11 | | | | | | | |
| | | | | | | | | | | | - | - | 8 | 7 | 6 | - | 4 | 3 | - | - | | | | | | | |
| MX123 CONN ASSY 49 CKT BLK OPT9 KEY A/28 | 345767663 | C-HSG-A9 | G-CAP-9-P | TPA-A9 | RS | LS | MAL | CPA | MSEAL | RSEAL | - | - | - | - | 44 | 43 | 42 | 41 | - | 39 | - | - | - | 35 | | | |
| | | | | | | | | | | | - | 33 | - | - | 30 | - | 28 | 27 | 26 | - | - | - | - | 21 | | | |
| | | | | | | | | | | | - | | | | | | | | | | | | | | | | |
| | | | | | | | | | | | - | - | - | - | - | 15 | 14 | 13 | - | 11 | | | | | | | |
| | | | | | | | | | | | - | - | 8 | 7 | 6 | - | 4 | 3 | - | - | | | | | | | |
| MX123 CONN ASSY 49 CKT BLU OPTO KEY C/36 | 345767673 | C-HSG-C0 | G-CAP-0-P | TPA-C0 | RS | LS | MAL | CPA | MSEAL | RSEAL | - | - | - | - | - | 43 | 42 | - | - | - | - | - | - | 35 | | | |
| | | | | | | | | | | | - | - | - | 31 | - | 29 | - | - | 26 | 25 | - | - | 22 | - | | | |
| | | | | | | | | | | | - | | | | | | | | | | | | | | | | |
| | | | | | | | | | | | 20 | 19 | - | - | 16 | - | - | - | - | 11 | | | | | | | |
| | | | | | | | | | | | - | - | - | - | - | 4 | - | - | - | | | | | | | | |
| MX123 CONN ASSY 49 CKT BLK OPTO KEY A/28 | 345767683 | C-HSG-A0 | G-CAP-0-P | TPA-A0 | RS | LS | MAL | CPA | MSEAL | RSEAL | - | 47 | - | 45 | - | - | - | 41 | 40 | - | - | 37 | 36 | - | | | |
| | | | | | | | | | | | - | 33 | - | - | 30 | - | - | 27 | 26 | - | - | - | 22 | - | | | |
| | | | | | | | | | | | - | | | | | | | | | | | | | | | | |
| | | | | | | | | | | | - | - | 18 | 17 | 16 | 15 | - | 13 | 12 | - | | | | | | | |
| | | | | | | | | | | | - | - | - | - | 6 | 5 | 4 | - | 2 | - | | | | | | | |
| MX123 CONN ASSY 49 CKT BLU OPT9 KEY C/35 | 345767723 | C-HSG-C9 | G-CAP-9-P | TPA-C9 | RS | LS | MAL | CPA | MSEAL | RSEAL | - | - | - | - | - | 43 | 42 | - | - | - | - | - | - | 35 | | | |
| | | | | | | | | | | | - | - | - | 31 | - | 29 | 28 | 27 | 26 | 25 | - | - | 22 | - | | | |
| | | | | | | | | | | | - | | | | | | | | | | | | | | | | |
| | | | | | | | | | | | 20 | 19 | - | - | - | - | - | - | - | 11 | | | | | | | |
| | | | | | | | | | | | - | - | - | - | - | 4 | - | - | - | | | | | | | | |
| MX123 CONN ASSY 49 CKT BLK OPTO KEY A/24 | 345767733 | C-HSG-A0 | G-CAP-0-P | TPA-A0 | RS | LS | MAL | CPA | MSEAL | RSEAL | 48 | 47 | 46 | 45 | - | - | - | - | 40 | - | 38 | 37 | 36 | - | | | |
| | | | | | | | | | | | 34 | - | 32 | 31 | - | 29 | - | - | - | 25 | 24 | 23 | 22 | - | | | |
| | | | | | | | | | | | - | | | | | | | | | | | | | | | | |
| | | | | | | | | | | | 20 | 19 | - | 17 | 16 | - | - | - | 12 | - | | | | | | | |
| | | | | | | | | | | | 10 | 9 | - | - | - | 5 | - | - | 2 | - | | | | | | | |
| MX123 CONN ASSY 49 CKT BLU OPTO KEY C/12 | 345767743 | C-HSG-C0 | G-CAP-0-P | TPA-C0 | RS | LS | MAL | CPA | MSEAL | RSEAL | 48 | 47 | 46 | 45 | 44 | - | 42 | 41 | 40 | 39 | 38 | 37 | 36 | 35 | | | |
| | | | | | | | | | | | 34 | 33 | 32 | - | 30 | - | 28 | 27 | - | - | 24 | 23 | - | 21 | | | |
| | | | | | | | | | | | - | | | | | | | | | | | | | | | | |
| | | | | | | | | | | | - | - | 18 | 17 | 16 | 15 | 14 | 13 | 12 | - | | | | | | | |
| | | | | | | | | | | | 10 | 9 | 8 | 7 | 6 | 5 | - | 3 | - | 1 | | | | | | | |



MX123 SEALED RCPT ASSY (49 Ckt)
BOM & PIN OUT SHEET

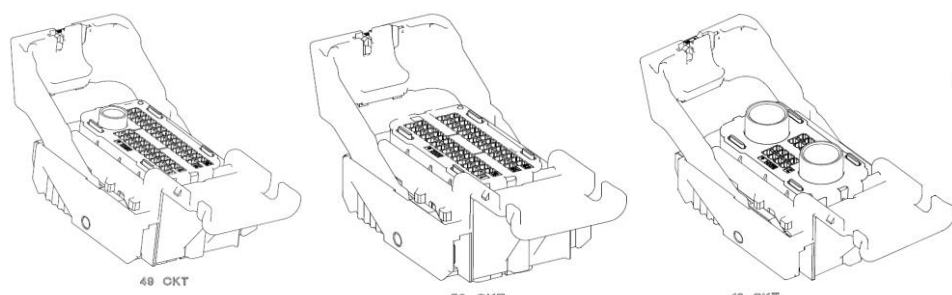
| ASSEMBLY DESCRIPTION | ASSEMBLY PART NUMBER | CONNECTOR HOUSING | GROMMET CAP | TPA | RIGHT SLIDE | LEFT SLIDE | MATE ASSIST LEVER | CPA | MAT SEAL | RING SEAL | BLOCKED TERMINALS | | | | | | | | | | | | | | | | STATUS | COMMENTS | INTEGRAL COMPONENTS SOLD SEPARATELY DRESS COVER |
|--|----------------------|-------------------|-------------|--------|-------------|------------|-------------------|-----|----------|-----------|--|----|----|----|----|----|----|----|----|----|----|----|----|----|----------|--|-----------|----------|---|
| | | | | | | | | | | | CAVITY WITH A NUMBER INDICATES BLOCKED TERMINAL POSITION | | | | | | | | | | | | | | | | | | |
| | | | | | | | | | | | CAVITY WITHOUT A NUMBER INDICATES OPEN TERMINAL POSITION | | | | | | | | | | | | | | | | | | |
| MX123 CONN ASSY 49 CKT BLK OPT9 KEY A/25 | 345767893 | C-HSG-A9 | G-CAP-9-P | TPA-A9 | RS | LS | MAL | CPA | MSEAL | RSEAL | - | - | - | - | 44 | 43 | 42 | 41 | - | 39 | - | - | - | 35 | SALEABLE | | 345750003 | | |
| | | | | | | | | | | | - | 33 | - | - | 30 | - | 28 | 27 | 26 | - | - | - | - | 21 | | | | | |
| | | | | | | | | | | | - | - | - | - | - | - | 18 | - | - | 15 | 14 | 13 | 12 | 11 | | | | | |
| MX123 CONN ASSY 49 CKT BLK OPT0 KEY A/27 | 345767903 | C-HSG-A0 | G-CAP-0-P | TPA-A0 | RS | LS | MAL | CPA | MSEAL | RSEAL | - | - | - | - | 44 | 43 | 42 | 41 | - | 39 | - | - | - | 35 | SALEABLE | | 345750003 | | |
| | | | | | | | | | | | - | 33 | - | - | 30 | - | 28 | 27 | 26 | - | - | - | - | 21 | | | | | |
| | | | | | | | | | | | - | - | - | - | - | - | 18 | - | - | 15 | 14 | 13 | - | 11 | | | | | |
| MX123 CONN ASSY 49 CKT BLK OPT9 KEY A/27 | 345767913 | C-HSG-A9 | G-CAP-9-P | TPA-A9 | RS | LS | MAL | CPA | MSEAL | RSEAL | - | 47 | - | 45 | 44 | - | 42 | 41 | 40 | - | - | 37 | - | - | SALEABLE | | 345750003 | | |
| | | | | | | | | | | | - | - | - | - | 30 | - | 28 | - | 26 | - | - | - | - | - | | | | | |
| | | | | | | | | | | | - | - | - | - | - | - | 18 | 17 | 16 | 15 | 14 | 13 | 12 | - | | | | | |
| MX123 CONN ASSY 49 CKT BLK OPT0 KEY A/34 | 345767923 | C-HSG-A0 | G-CAP-0-P | TPA-A0 | RS | LS | MAL | CPA | MSEAL | RSEAL | - | - | - | - | - | - | 42 | 41 | - | 39 | - | - | - | 35 | SALEABLE | | 345750003 | | |
| | | | | | | | | | | | - | 33 | - | - | 30 | - | - | - | 26 | - | - | - | - | 21 | | | | | |
| | | | | | | | | | | | - | - | - | - | - | - | - | - | - | - | 14 | 13 | - | 11 | | | | | |
| MX123 CONN ASSY 49 CKT BLU OPT0 KEY C/14 | 345767933 | C-HSG-C0 | G-CAP-0-P | TPA-C0 | RS | LS | MAL | CPA | MSEAL | RSEAL | 48 | 47 | 46 | 45 | 44 | 43 | 42 | 41 | 40 | 39 | 38 | 37 | 36 | 35 | SALEABLE | | 345750003 | | |
| | | | | | | | | | | | 34 | 33 | 32 | 31 | 30 | 29 | 28 | 27 | 26 | 25 | 24 | 23 | 22 | 21 | | | | | |
| | | | | | | | | | | | - | - | - | - | - | 19 | - | - | - | 15 | - | - | - | 11 | | | | | |
| MX123 CONN ASSY 49 CKT BLK OPT0 KEY A/27 | 345767943 | C-HSG-A0 | G-CAP-0-P | TPA-A0 | RS | LS | MAL | CPA | MSEAL | RSEAL | - | - | - | - | 44 | 43 | 42 | 41 | - | 39 | - | - | - | 35 | SALEABLE | | 345750003 | | |
| | | | | | | | | | | | - | 33 | - | - | 30 | - | 28 | 27 | 26 | - | - | - | - | 21 | | | | | |
| | | | | | | | | | | | - | - | - | - | - | - | 18 | 17 | - | - | 14 | 13 | - | 11 | | | | | |
| MX123 CONN ASSY 49 CKT BLK OPT9 KEY A/26 | 345767963 | C-HSG-A9 | G-CAP-9-P | TPA-A9 | RS | LS | MAL | CPA | MSEAL | RSEAL | - | 47 | - | 45 | 44 | - | 42 | 41 | 40 | - | - | 37 | - | - | SALEABLE | | 345750003 | | |
| | | | | | | | | | | | - | - | - | - | 30 | - | 28 | - | 26 | - | - | - | 22 | - | | | | | |
| | | | | | | | | | | | - | - | - | - | - | - | 18 | 17 | 16 | 15 | 14 | 13 | 12 | - | | | | | |
| MX123 CONN ASSY 49 CKT BLK OPT0 KEY A/30 | 345767973 | C-HSG-A0 | G-CAP-0-P | TPA-A0 | RS | LS | MAL | CPA | MSEAL | RSEAL | - | - | - | - | - | - | 42 | 41 | - | 39 | - | - | - | 35 | SALEABLE | | 345750003 | | |
| | | | | | | | | | | | - | 33 | - | - | 30 | 29 | - | - | 26 | - | - | - | - | 21 | | | | | |
| | | | | | | | | | | | - | - | - | - | - | - | 18 | 17 | - | - | 14 | 13 | - | 11 | | | | | |
| MX123 CONN ASSY 49 CKT BLK OPT9 KEY A/18 | 345767983 | C-HSG-A9 | G-CAP-9-P | TPA-A9 | RS | LS | MAL | CPA | MSEAL | RSEAL | 48 | 47 | 46 | 45 | 44 | 43 | 42 | 41 | 40 | 39 | - | 37 | 36 | 35 | SALEABLE | | 345750003 | | |
| | | | | | | | | | | | 34 | - | - | 31 | 30 | - | - | 27 | - | - | 24 | - | 22 | 21 | | | | | |
| | | | | | | | | | | | - | - | - | - | - | 9 | - | - | - | - | 4 | 3 | 2 | 1 | | | | | |
| MX123 CONN ASSY 49 CKT BLU OPT9 KEY C/29 | 345767993 | C-HSG-C9 | G-CAP-9-P | TPA-C9 | RS | LS | MAL | CPA | MSEAL | RSEAL | 48 | - | 46 | - | - | 43 | - | 41 | - | - | - | - | - | 35 | SALEABLE | | 345750003 | | |
| | | | | | | | | | | | - | 33 | - | 31 | - | 29 | - | 27 | 26 | 25 | - | - | 22 | - | | | | | |
| | | | | | | | | | | | - | - | - | - | 20 | 19 | - | - | 16 | - | - | - | - | - | | | | | |
| MX123 CONN ASSY 49 CKT BLK OPT0 KEY A/31 | 345768003 | C-HSG-A0 | G-CAP-0-P | TPA-A0 | RS | LS | MAL | CPA | MSEAL | RSEAL | - | - | - | - | - | - | 42 | 41 | - | 39 | - | - | - | 35 | SALEABLE | | 345750003 | | |
| | | | | | | | | | | | - | 33 | - | - | 30 | - | - | - | 26 | - | - | - | - | 21 | | | | | |
| | | | | | | | | | | | - | - | - | - | - | - | 18 | 17 | - | 15 | 14 | 13 | - | 11 | | | | | |
| MX123 CONN ASSY 49 CKT BLK OPT9 KEY A/26 | 345768023 | C-HSG-A9 | G-CAP-9-P | TPA-A9 | RS | LS | MAL | CPA | MSEAL | RSEAL | - | - | - | - | 44 | 43 | 42 | 41 | - | 39 | 38 | - | - | 35 | SALEABLE | | 345750003 | | |
| | | | | | | | | | | | - | 33 | - | - | 30 | - | 28 | 27 | 26 | - | - | - | - | 21 | | | | | |
| | | | | | | | | | | | - | - | - | - | - | - | - | 17 | - | 15 | 14 | 13 | - | 11 | | | | | |

| ASSEMBLY DESCRIPTION | ASSEMBLY PART NUMBER | CONNECTOR HOUSING | GROMMET CAP | TPA | RIGHT SLIDE | LEFT SLIDE | MATE ASSIST LEVER | CPA | MAT SEAL | RING SEAL | BLOCKED TERMINALS | | | | | | | | | | | | | | | | STATUS | COMMENTS | INTEGRAL COMPONENTS SOLD SEPARATELY DRESS COVER |
|--|----------------------|-------------------|-------------|--------|-------------|------------|-------------------|-----|----------|-----------|--|----|----|----|----|----|----|----|----|----|----|----|----|----|----------|--|-----------|----------|---|
| | | | | | | | | | | | CAVITY WITH A NUMBER INDICATES BLOCKED TERMINAL POSITION | | | | | | | | | | | | | | | | | | |
| | | | | | | | | | | | CAVITY WITHOUT A NUMBER INDICATES OPEN TERMINAL POSITION | | | | | | | | | | | | | | | | | | |
| MX123 CONN ASSY 49 CKT BLK OPT9 KEY A/21 | 345768033 | C-HSG-A9 | G-CAP-9-P | TPA-A9 | RS | LS | MAL | CPA | MSEAL | RSEAL | 48 | 47 | 46 | 45 | 44 | 43 | 42 | 41 | 40 | 39 | - | 37 | 36 | 35 | SALEABLE | | 345750003 | | |
| | | | | | | | | | | | 34 | - | - | 31 | 30 | - | - | 27 | - | - | 24 | - | 22 | 21 | | | | | |
| | | | | | | | | | | | - | | | | | | | | | | | | | | | | | | |
| | | | | | | | | | | | - | - | - | - | - | 19 | - | - | - | - | 14 | 13 | 12 | 11 | | | | | |
| MX123 CONN ASSY 49 CKT BLU OPT9 KEY C/28 | 345768043 | C-HSG-C9 | G-CAP-9-P | TPA-C9 | RS | LS | MAL | CPA | MSEAL | RSEAL | 48 | - | 46 | - | - | 43 | 42 | 41 | - | - | - | - | - | 35 | SALEABLE | | 345750003 | | |
| | | | | | | | | | | | - | 33 | - | 31 | - | 29 | - | 27 | 26 | 25 | - | - | 22 | - | | | | | |
| | | | | | | | | | | | - | | | | | | | | | | | | | | | | | | |
| | | | | | | | | | | | - | - | - | - | 20 | 19 | - | - | 16 | - | - | - | - | - | | | | | |
| MX123 CONN ASSY 49 CKT BLK OPT0 KEY A/30 | 345768053 | C-HSG-A0 | G-CAP-0-P | TPA-A0 | RS | LS | MAL | CPA | MSEAL | RSEAL | - | - | - | - | - | - | 42 | 41 | - | 39 | - | - | - | 35 | SALEABLE | | 345750003 | | |
| | | | | | | | | | | | - | 33 | - | - | 30 | - | - | - | 26 | - | - | - | 21 | | | | | | |
| | | | | | | | | | | | - | | | | | | | | | | | | | | | | | | |
| | | | | | | | | | | | - | - | - | - | - | - | 18 | 17 | - | 15 | 14 | 13 | - | 11 | | | | | |
| MX123 CONN ASSY 49 CKT BLK OPT9 KEY A/32 | 345768063 | C-HSG-A9 | G-CAP-9-P | TPA-A9 | RS | LS | MAL | CPA | MSEAL | RSEAL | - | - | - | - | - | - | 42 | 41 | - | 39 | 38 | - | - | 35 | SALEABLE | | 345750003 | | |
| | | | | | | | | | | | - | 33 | - | - | 30 | - | - | - | 26 | - | - | - | 21 | | | | | | |
| | | | | | | | | | | | - | | | | | | | | | | | | | | | | | | |
| | | | | | | | | | | | - | - | - | - | - | - | 8 | 7 | 6 | - | 4 | - | - | - | | | | | |
| MX123 CONN ASSY 49 CKT BLU OPT0 KEY C/34 | 345768073 | C-HSG-C0 | G-CAP-0-P | TPA-C0 | RS | LS | MAL | CPA | MSEAL | RSEAL | - | - | - | - | - | 43 | 42 | - | - | - | - | - | - | 35 | SALEABLE | | 345750003 | | |
| | | | | | | | | | | | - | - | - | 31 | - | 29 | - | 27 | 26 | 25 | - | - | - | - | | | | | |
| | | | | | | | | | | | - | | | | | | | | | | | | | | | | | | |
| | | | | | | | | | | | - | - | - | - | 10 | - | - | - | - | 5 | 4 | - | 2 | - | | | | | |
| MX123 CONN ASSY 49 CKT BLK OPT0 KEY A/33 | 345768113 | C-HSG-A0 | G-CAP-0-P | TPA-A0 | RS | LS | MAL | CPA | MSEAL | RSEAL | - | - | - | - | - | - | 42 | 41 | - | 39 | - | - | - | 35 | SALEABLE | | 345750003 | | |
| | | | | | | | | | | | - | 33 | - | - | 30 | - | - | - | 26 | - | - | - | 21 | | | | | | |
| | | | | | | | | | | | - | | | | | | | | | | | | | | | | | | |
| | | | | | | | | | | | - | - | - | - | - | - | 8 | 7 | 6 | - | 4 | 3 | - | - | | | | | |
| MX123 CONN ASSY 49 CKT BLK OPT0 KEY A/31 | 345768123 | C-HSG-A0 | G-CAP-0-P | TPA-A0 | RS | LS | MAL | CPA | MSEAL | RSEAL | - | - | - | - | - | - | 42 | 41 | - | 39 | - | - | - | 35 | SALEABLE | | 345750003 | | |
| | | | | | | | | | | | - | 33 | - | - | 30 | 29 | - | - | 26 | - | - | - | 21 | | | | | | |
| | | | | | | | | | | | - | | | | | | | | | | | | | | | | | | |
| | | | | | | | | | | | - | - | - | - | - | - | 8 | 7 | 6 | - | 4 | 3 | - | - | | | | | |
| MX123 CONN ASSY 49 CKT BLK OPT0 KEY A/27 | 345768133 | C-HSG-A0 | G-CAP-0-P | TPA-A0 | RS | LS | MAL | CPA | MSEAL | RSEAL | - | 47 | - | 45 | - | - | - | 41 | - | - | - | 37 | 36 | - | SALEABLE | | 345750003 | | |
| | | | | | | | | | | | - | - | - | - | 30 | - | - | 27 | - | - | - | - | 22 | - | | | | | |
| | | | | | | | | | | | - | | | | | | | | | | | | | | | | | | |
| | | | | | | | | | | | - | - | - | - | 10 | 9 | - | - | 6 | 5 | 4 | - | 2 | - | | | | | |
| MX123 CONN ASSY 49 CKT BLK OPT0 KEY A/1 | 345769113 | C-HSG-A0 | G-CAP-0-P | TPA-A0 | RS | LS | MAL | CPA | MSEAL | RSEAL | 48 | 47 | 46 | 45 | 44 | 43 | 42 | 41 | 40 | 39 | 38 | 37 | 36 | 35 | SALEABLE | | 345750003 | | |
| | | | | | | | | | | | 34 | 33 | 32 | 31 | 30 | 29 | 28 | 27 | 26 | 25 | 24 | 23 | 22 | 21 | | | | | |
| | | | | | | | | | | | - | | | | | | | | | | | | | | | | | | |
| | | | | | | | | | | | - | - | - | - | 10 | 9 | 8 | 7 | 6 | 5 | 4 | 3 | 2 | 1 | | | | | |
| MX123 CONN ASSY 49 CKT BLU OPT0 KEY C/1 | 345769123 | C-HSG-C0 | G-CAP-0-P | TPA-C0 | RS | LS | MAL | CPA | MSEAL | RSEAL | 48 | 47 | 46 | 45 | 44 | 43 | 42 | 41 | 40 | 39 | 38 | 37 | 36 | 35 | SALEABLE | | 345750003 | | |
| | | | | | | | | | | | 34 | 33 | 32 | 31 | 30 | 29 | 28 | 27 | 26 | 25 | 24 | 23 | 22 | 21 | | | | | |
| | | | | | | | | | | | - | | | | | | | | | | | | | | | | | | |
| | | | | | | | | | | | - | - | - | - | 10 | 9 | 8 | 7 | 6 | 5 | 4 | 3 | 2 | 1 | | | | | |
| MX123 CONN ASSY 49 CKT BLK OPT9 KEY A/32 | 345769133 | C-HSG-A9 | G-CAP-9-P | TPA-A9 | RS | LS | MAL | CPA | MSEAL | RSEAL | - | - | - | - | - | - | 42 | 41 | - | 39 | - | - | - | 35 | SALEABLE | | 345750003 | | |
| | | | | | | | | | | | - | 33 | - | - | 30 | - | - | - | 26 | - | - | - | 21 | | | | | | |
| | | | | | | | | | | | - | | | | | | | | | | | | | | | | | | |
| | | | | | | | | | | | - | - | - | - | - | - | 8 | 7 | 6 | - | 4 | 3 | - | - | | | | | |
| MX123 CONN ASSY 49 CKT BLU OPT9 KEY C/30 | 345769143 | C-HSG-C9 | G-CAP-9-P | TPA-C9 | RS | LS | MAL | CPA | MSEAL | RSEAL | 48 | - | 46 | - | - | 43 | 42 | 41 | - | - | - | - | - | 35 | SALEABLE | | 345750003 | | |
| | | | | | | | | | | | - | 33 | - | 31 | - | 29 | 28 | 27 | - | - | - | - | 22 | - | | | | | |
| | | | | | | | | | | | - | | | | | | | | | | | | | | | | | | |
| | | | | | | | | | | | - | - | - | - | 20 | 19 | - | - | 16 | - | - | - | - | 11 | | | | | |

| ASSEMBLY DESCRIPTION | ASSEMBLY PART NUMBER | CONNECTOR HOUSING | GROMMET CAP | TPA | RIGHT SLIDE | LEFT SLIDE | MATE ASSIST LEVER | CPA | MAT SEAL | RING SEAL | BLOCKED TERMINALS | | | | | | | | | | | | | | | | STATUS | COMMENTS | INTEGRAL COMPONENTS SOLD SEPARATELY DRESS COVER |
|--|----------------------|-------------------|-------------|--------|-------------|------------|-------------------|-----|----------|-----------|--|----|----|----|----|----|----|----|----|----|----|----|----|----|----------|--|-----------|----------|---|
| | | | | | | | | | | | CAVITY WITH A NUMBER INDICATES BLOCKED TERMINAL POSITION | | | | | | | | | | | | | | | | | | |
| | | | | | | | | | | | CAVITY WITHOUT A NUMBER INDICATES OPEN TERMINAL POSITION | | | | | | | | | | | | | | | | | | |
| MX123 CONN ASSY 49 CKT BLK OPT9 KEY A/18 | 345769153 | C-HSG-A9 | G-CAP-9-P | TPA-A9 | RS | LS | MAL | CPA | MSEAL | RSEAL | 48 | 47 | 46 | 45 | - | - | 42 | - | 40 | 39 | 38 | - | - | 35 | SALEABLE | | 345750003 | | |
| | | | | | | | | | | | - | - | - | 31 | 30 | 29 | 28 | 27 | 26 | 25 | 24 | 23 | - | 21 | | | | | |
| | | | | | | | | | | | | | | | 20 | 19 | - | - | - | - | 14 | 13 | 12 | 11 | | | | | |
| MX123 CONN ASSY 49 CKT BLK OPT0 KEY A/28 | 345769163 | C-HSG-A0 | G-CAP-0-P | TPA-A0 | RS | LS | MAL | CPA | MSEAL | RSEAL | - | - | - | - | 44 | 43 | 42 | 41 | - | 39 | - | - | - | 35 | SALEABLE | | 345750003 | | |
| | | | | | | | | | | | - | 33 | - | - | 30 | - | 28 | 27 | 26 | - | - | - | - | 21 | | | | | |
| | | | | | | | | | | | | | | | - | - | 18 | - | - | - | 14 | 13 | - | 11 | | | | | |
| MX123 CONN ASSY 49 CKT BLK OPT9 KEY A/38 | 345769173 | C-HSG-A9 | G-CAP-9-P | TPA-A9 | RS | LS | MAL | CPA | MSEAL | RSEAL | - | - | - | - | 44 | - | 42 | 41 | - | - | - | - | - | - | SALEABLE | | 345750003 | | |
| | | | | | | | | | | | - | - | - | - | 30 | - | 28 | - | 26 | - | - | - | - | - | | | | | |
| | | | | | | | | | | | | | | | - | - | 8 | 7 | 6 | - | 4 | 3 | - | - | | | | | |
| MX123 CONN ASSY 49 CKT BLU OPT0 KEY C/34 | 345769193 | C-HSG-C0 | G-CAP-0-P | TPA-C0 | RS | LS | MAL | CPA | MSEAL | RSEAL | - | - | - | - | - | 43 | 42 | - | - | - | - | - | - | 35 | SALEABLE | | 345750003 | | |
| | | | | | | | | | | | - | - | - | 31 | - | 29 | - | - | 26 | 25 | - | - | - | - | | | | | |
| | | | | | | | | | | | | | | | 20 | 19 | - | - | - | 15 | - | - | - | 11 | | | | | |
| MX123 CONN ASSY 49 CKT BLK OPT9 KEY A/20 | 345769203 | C-HSG-A9 | G-CAP-9-P | TPA-A9 | RS | LS | MAL | CPA | MSEAL | RSEAL | 48 | 47 | 46 | 45 | 44 | 43 | 42 | 41 | 40 | 39 | - | 37 | 36 | 35 | SALEABLE | | 345750003 | | |
| | | | | | | | | | | | 34 | - | - | 31 | 30 | - | - | 27 | - | - | 24 | - | 22 | 21 | | | | | |
| | | | | | | | | | | | | | | | - | 19 | - | - | - | - | 14 | 13 | 12 | 11 | | | | | |
| MX123 CONN ASSY 49 CKT BLK OPT9 KEY A/14 | 345769213 | C-HSG-A9 | G-CAP-9-P | TPA-A9 | RS | LS | MAL | CPA | MSEAL | RSEAL | 48 | 47 | 46 | 45 | 44 | 43 | 42 | 41 | 40 | 39 | 38 | - | 36 | 35 | SALEABLE | | 345750003 | | |
| | | | | | | | | | | | - | - | - | 31 | 30 | 29 | 28 | 27 | 26 | 25 | 24 | - | 22 | 21 | | | | | |
| | | | | | | | | | | | | | | | 20 | 19 | - | - | - | - | 14 | 13 | 12 | 11 | | | | | |
| MX123 CONN ASSY 49 CKT BLU OPT0 KEY C/29 | 345769223 | C-HSG-C0 | G-CAP-0-P | TPA-C0 | RS | LS | MAL | CPA | MSEAL | RSEAL | 48 | - | 46 | - | - | 43 | 42 | 41 | - | - | - | - | - | 35 | SALEABLE | | 345750003 | | |
| | | | | | | | | | | | - | 33 | - | 31 | - | 29 | - | - | 26 | 25 | - | 23 | 22 | - | | | | | |
| | | | | | | | | | | | | | | | 20 | 19 | - | - | 16 | - | - | - | - | | | | | | |
| MX123 CONN ASSY 49 CKT BLK OPT9 KEY A/22 | 345769233 | C-HSG-A9 | G-CAP-9-P | TPA-A9 | RS | LS | MAL | CPA | MSEAL | RSEAL | - | - | - | - | 44 | 43 | 42 | 41 | - | 39 | 38 | - | - | 35 | SALEABLE | | 345750003 | | |
| | | | | | | | | | | | - | 33 | - | - | 30 | 29 | 28 | 27 | 26 | 25 | 24 | - | - | 21 | | | | | |
| | | | | | | | | | | | | | | | - | - | 18 | 17 | - | 15 | 14 | 13 | - | 11 | | | | | |
| MX123 CONN ASSY 49 CKT BLK OPT9 KEY A/25 | 345769243 | C-HSG-A9 | G-CAP-9-P | TPA-A9 | RS | LS | MAL | CPA | MSEAL | RSEAL | - | - | - | - | 44 | 43 | 42 | 41 | - | 39 | 38 | - | - | 35 | SALEABLE | | 345750003 | | |
| | | | | | | | | | | | - | - | - | - | 30 | 29 | 28 | 27 | 26 | - | - | - | - | 21 | | | | | |
| | | | | | | | | | | | | | | | - | - | 18 | 17 | - | 15 | 14 | 13 | - | 11 | | | | | |
| MX123 CONN ASSY 49 CKT BLK OPT9 KEY A/24 | 345769253 | C-HSG-A9 | G-CAP-9-P | TPA-A9 | RS | LS | MAL | CPA | MSEAL | RSEAL | - | - | - | - | 44 | 43 | 42 | 41 | - | 39 | 38 | - | - | 35 | SALEABLE | | 345750003 | | |
| | | | | | | | | | | | - | 33 | - | - | 30 | 29 | 28 | 27 | 26 | - | - | - | - | 21 | | | | | |
| | | | | | | | | | | | | | | | - | - | 18 | 17 | - | 15 | 14 | 13 | - | 11 | | | | | |
| MX123 CONN ASSY 49 CKT BLK OPT9 KEY A/26 | 345769263 | C-HSG-A9 | G-CAP-9-P | TPA-A9 | RS | LS | MAL | CPA | MSEAL | RSEAL | - | - | - | - | 44 | 43 | 42 | 41 | - | 39 | 38 | - | - | 35 | SALEABLE | | 345750003 | | |
| | | | | | | | | | | | - | 33 | - | - | 30 | - | 28 | 27 | 26 | - | - | - | - | 21 | | | | | |
| | | | | | | | | | | | | | | | - | - | 18 | 17 | - | 14 | 13 | - | 11 | | | | | | |
| MX123 CONN ASSY 49 CKT BLK OPT9 KEY A/18 | 345769273 | C-HSG-A9 | G-CAP-9-P | TPA-A9 | RS | LS | MAL | CPA | MSEAL | RSEAL | 48 | 47 | 46 | 45 | 44 | 43 | 42 | 41 | 40 | 39 | - | 37 | 36 | - | SALEABLE | | 345750003 | | |
| | | | | | | | | | | | 34 | - | - | 31 | 30 | 29 | 28 | 27 | 26 | 25 | 24 | - | 22 | - | | | | | |
| | | | | | | | | | | | | | | | 20 | 19 | - | - | - | - | 14 | 13 | 12 | - | | | | | |

| ASSEMBLY DESCRIPTION | ASSEMBLY PART NUMBER | CONNECTOR HOUSING | GROMMET CAP | TPA | RIGHT SLIDE | LEFT SLIDE | MATE ASSIST LEVER | CPA | MAT SEAL | RING SEAL | BLOCKED TERMINALS | | | | | | | | | | | | | | | | STATUS | COMMENTS | INTEGRAL COMPONENTS SOLD SEPARATELY DRESS COVER |
|--|----------------------|-------------------|-------------|--------|-------------|------------|-------------------|-----|----------|-----------|--|----|----|----|----|----|----|----|----|----|----|----|----|----|----------|----------|-----------|-----------|---|
| | | | | | | | | | | | CAVITY WITH A NUMBER INDICATES BLOCKED TERMINAL POSITION | | | | | | | | | | | | | | | | | | |
| | | | | | | | | | | | CAVITY WITHOUT A NUMBER INDICATES OPEN TERMINAL POSITION | | | | | | | | | | | | | | | | | | |
| MX123 CONN ASSY 49 CKT BLK OPT0 KEY A/29 | 345769283 | C-HSG-A0 | G-CAP-0-P | TPA-A0 | RS | LS | MAL | CPA | MSEAL | RSEAL | - | - | - | - | - | - | 42 | 41 | - | 39 | - | - | - | - | 35 | SALEABLE | | 345750003 | |
| | | | | | | | | | | | - | 33 | - | - | 30 | - | 28 | 27 | 26 | - | - | - | - | 21 | | | | | |
| | | | | | | | | | | | - | | | | | | | | | | | | | | | | | | |
| | | | | | | | | | | | - | - | 8 | 7 | 6 | - | 4 | 3 | - | - | | | | | | | | | |
| MX123 CONN ASSY 49 CKT BLU OPT9 KEY C/34 | 345769293 | C-HSG-C9 | G-CAP-9-P | TPA-C9 | RS | LS | MAL | CPA | MSEAL | RSEAL | - | - | - | - | - | - | 42 | - | - | - | - | - | - | - | - | SALEABLE | | 345750003 | |
| | | | | | | | | | | | - | - | - | 31 | - | 29 | 28 | 27 | 26 | 25 | - | - | 22 | - | | | | | |
| | | | | | | | | | | | - | | | | | | | | | | | | | | | | | | |
| | | | | | | | | | | | 20 | 19 | - | - | - | 15 | - | - | - | 11 | | | | | | | | | |
| MX123 CONN ASSY 49 CKT BLK OPT9 KEY A/23 | 345769303 | C-HSG-A9 | G-CAP-9-P | TPA-A9 | RS | LS | MAL | CPA | MSEAL | RSEAL | - | 47 | - | 45 | 44 | - | - | 41 | - | - | - | 37 | 36 | - | - | SALEABLE | | 345750003 | |
| | | | | | | | | | | | - | 33 | - | - | 30 | - | - | - | - | - | - | - | 22 | - | | | | | |
| | | | | | | | | | | | - | | | | | | | | | | | | | | | | | | |
| | | | | | | | | | | | 20 | 19 | 18 | 17 | 16 | 15 | 14 | 13 | 12 | - | | | | | | | | | |
| MX123 CONN ASSY 49 CKT BLU OPT9 KEY C/31 | 345769313 | C-HSG-C9 | G-CAP-9-P | TPA-C9 | RS | LS | MAL | CPA | MSEAL | RSEAL | 48 | - | 46 | - | - | 43 | 42 | 41 | - | - | - | - | - | 35 | SALEABLE | | 345750003 | | |
| | | | | | | | | | | | - | 33 | - | 31 | - | 29 | - | - | 26 | 25 | - | - | 22 | - | | | | | |
| | | | | | | | | | | | - | | | | | | | | | | | | | | | | | | |
| | | | | | | | | | | | 20 | 19 | - | - | 16 | - | - | - | - | - | | | | | | | | | |
| MX123 CONN ASSY 49 CKT BLK OPT0 KEY A/46 | 345769323 | C-HSG-A0 | G-CAP-0-P | TPA-A0 | RS | LS | MAL | CPA | MSEAL | RSEAL | - | - | - | - | - | - | - | - | - | - | - | - | - | - | - | SALEABLE | | 345750003 | |
| | | | | | | | | | | | - | | | | | | | | | | | | | | | | | | |
| | | | | | | | | | | | - | | | | | | | | | | | | | | | | | | |
| | | | | | | | | | | | - | - | - | - | 6 | - | 4 | 3 | - | - | | | | | | | | | |
| MX123 CONN ASSY 49 CKT BLK OPT9 KEY A/30 | 345769363 | C-HSG-A9 | G-CAP-9-P | TPA-A9 | RS | LS | MAL | CPA | MSEAL | RSEAL | - | - | - | - | - | - | 42 | 41 | - | - | 38 | - | - | 35 | SALEABLE | | 345750003 | | |
| | | | | | | | | | | | - | 33 | - | - | 30 | - | - | - | 26 | - | - | - | 21 | | | | | | |
| | | | | | | | | | | | - | | | | | | | | | | | | | | | | | | |
| | | | | | | | | | | | - | - | 18 | 17 | - | 15 | 14 | 13 | - | 11 | | | | | | | | | |
| MX123 CONN ASSY 49 CKT BLK OPT0 KEY A/26 | 345769373 | C-HSG-A0 | G-CAP-0-P | TPA-A0 | RS | LS | MAL | CPA | MSEAL | RSEAL | - | - | - | - | 44 | 43 | 42 | 41 | - | 39 | 38 | - | - | 35 | SALEABLE | | 345750003 | | |
| | | | | | | | | | | | - | - | - | - | 30 | 29 | 28 | 27 | 26 | - | - | - | 21 | | | | | | |
| | | | | | | | | | | | - | | | | | | | | | | | | | | | | | | |
| | | | | | | | | | | | - | - | 18 | 17 | - | 14 | 13 | - | 11 | | | | | | | | | | |
| MX123 CONN ASSY 49 CKT BLU OPT0 KEY C/32 | 345769383 | C-HSG-C0 | G-CAP-0-P | TPA-C0 | RS | LS | MAL | CPA | MSEAL | RSEAL | - | - | 46 | - | - | 43 | 42 | - | - | - | - | - | - | 35 | SALEABLE | | 345750003 | | |
| | | | | | | | | | | | - | 33 | - | 31 | - | 29 | - | - | 26 | 25 | - | - | 22 | - | | | | | |
| | | | | | | | | | | | - | | | | | | | | | | | | | | | | | | |
| | | | | | | | | | | | 20 | 19 | - | - | 16 | - | - | - | - | - | | | | | | | | | |
| MX123 CONN ASSY 49 CKT BLK OPT9 KEY A/26 | 345769393 | C-HSG-A9 | G-CAP-9-P | TPA-A9 | RS | LS | MAL | CPA | MSEAL | RSEAL | - | 47 | - | 45 | 44 | - | 42 | 41 | 40 | - | - | 37 | - | - | SALEABLE | | 345750003 | | |
| | | | | | | | | | | | - | 33 | - | - | 30 | - | 28 | - | 26 | - | - | - | 22 | - | | | | | |
| | | | | | | | | | | | - | | | | | | | | | | | | | | | | | | |
| | | | | | | | | | | | - | - | 18 | 17 | - | 15 | 14 | 13 | 12 | - | | | | | | | | | |
| MX123 CONN ASSY 49 CKT BLK OPT9 KEY A/31 | 345769403 | C-HSG-A9 | G-CAP-9-P | TPA-A9 | RS | LS | MAL | CPA | MSEAL | RSEAL | - | - | - | - | - | - | 42 | 41 | - | 39 | - | - | - | 35 | SALEABLE | | 345750003 | | |
| | | | | | | | | | | | - | 33 | - | - | 30 | - | 28 | 27 | 26 | - | - | - | 21 | | | | | | |
| | | | | | | | | | | | - | | | | | | | | | | | | | | | | | | |
| | | | | | | | | | | | - | - | 8 | 7 | 6 | - | 4 | 3 | - | - | | | | | | | | | |
| MX123 CONN ASSY 49 CKT BLU OPT0 KEY C/32 | 345769453 | C-HSG-C0 | G-CAP-0-P | TPA-C0 | RS | LS | MAL | CPA | MSEAL | RSEAL | - | - | 46 | - | - | 43 | - | - | - | - | - | - | - | 35 | SALEABLE | | 345750003 | | |
| | | | | | | | | | | | - | 33 | - | 31 | - | 29 | - | - | 26 | 25 | - | 23 | - | - | | | | | |
| | | | | | | | | | | | - | | | | | | | | | | | | | | | | | | |
| | | | | | | | | | | | 20 | 19 | - | - | 16 | - | - | - | - | - | | | | | | | | | |
| MX123 CONN ASSY 49 CKT BLK OPT9 KEY A/30 | 345769463 | C-HSG-A9 | G-CAP-9-P | TPA-A9 | RS | LS | MAL | CPA | MSEAL | RSEAL | - | - | - | - | - | - | 42 | 41 | - | 39 | 38 | - | - | 35 | SALEABLE | | 345750003 | | |
| | | | | | | | | | | | - | 33 | - | - | 30 | - | - | - | 26 | - | - | - | 21 | | | | | | |
| | | | | | | | | | | | - | | | | | | | | | | | | | | | | | | |
| | | | | | | | | | | | - | - | 8 | 7 | 6 | - | 4 | 3 | - | - | | | | | | | | | |

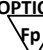
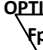

| ASSEMBLY DESCRIPTION | ASSEMBLY PART NUMBER | CONNECTOR HOUSING | GROMMET CAP | TPA | RIGHT SLIDE | LEFT SLIDE | MATE ASSIST LEVER | CPA | MAT SEAL | RING SEAL | BLOCKED TERMINALS | | | | | | | | | | | | STATUS | COMMENTS | INTEGRAL COMPONENTS SOLD SEPARATELY DRESS COVER | | | | | | | | | | | | | | | | | | | | | | |
|--|----------------------|-------------------|-------------|--------|-------------|------------|-------------------|-----|----------|-----------|--|----|----|----|----|----|----|----|----|----|----|----|--------|----------|---|----|-----------|---|---|---|----|---|----|----|----|---|---|---|---|----|---|---|----|----|---|---|----|
| | | | | | | | | | | | CAVITY WITH A NUMBER INDICATES BLOCKED TERMINAL POSITION CAVITY WITHOUT A NUMBER INDICATES OPEN TERMINAL POSITION | | | | | | | | | | | | | | | | | | | | | | | | | | | | | | | | | | | | |
| | | | | | | | | | | | - | - | - | - | 44 | 43 | 42 | 41 | - | 39 | 38 | - | | | - | 35 | - | - | - | - | 30 | - | 28 | 27 | 26 | - | - | - | - | 21 | - | - | 18 | 17 | - | - | 14 |
| MX123 CONN ASSY 49 CKT BLK OPTO KEY A/27 | 345769493 | C-HSG-A0 | G-CAP-0-P | TPA-A0 | RS | LS | MAL | CPA | MSEAL | RSEAL | - | - | - | - | 44 | 43 | 42 | 41 | - | 39 | 38 | - | - | 35 | SALEABLE | | 345750003 | | | | | | | | | | | | | | | | | | | | |
| MX123 CONN ASSY 49 CKT BLK OPTO KEY A/29 | 345769513 | C-HSG-A0 | G-CAP-0-P | TPA-A0 | RS | LS | MAL | CPA | MSEAL | RSEAL | - | 47 | - | 45 | 44 | - | - | - | 40 | - | - | 37 | 36 | - | SALEABLE | | 345750003 | | | | | | | | | | | | | | | | | | | | |
| MX123 CONN ASSY 49 CKT BLU OPTO KEY C/30 | 345769523 | C-HSG-C0 | G-CAP-0-P | TPA-C0 | RS | LS | MAL | CPA | MSEAL | RSEAL | - | - | 46 | - | - | 43 | 42 | - | - | - | - | - | - | 35 | SALEABLE | | 345750003 | | | | | | | | | | | | | | | | | | | | |
| MX123 CONN ASSY 49 CKT BLK OPTO KEY A/29 | 345769543 | C-HSG-A0 | G-CAP-0-P | TPA-A0 | RS | LS | MAL | CPA | MSEAL | RSEAL | - | - | - | - | - | - | 42 | 41 | - | - | 38 | - | - | 35 | SALEABLE | | 345750003 | | | | | | | | | | | | | | | | | | | | |



2

| UNCHECKED cavity number(s) are OPEN | | | | | | | | | | | | | |
|-------------------------------------|--------------------------|-------------------------------------|-------------------------------------|-------------------------------------|-------------------------------------|-------------------------------------|-------------------------------------|-------------------------------------|-------------------------------------|-------------------------------------|-------------------------------------|-------------------------------------|-------------------------------------|
| 56 | 55 | 54 | 53 | 52 | 51 | 50 | 49 | 48 | 47 | 46 | 45 | 44 | 43 |
| <input type="checkbox"/> | <input type="checkbox"/> | <input type="checkbox"/> | <input type="checkbox"/> | <input type="checkbox"/> | <input type="checkbox"/> | <input type="checkbox"/> | <input checked="" type="checkbox"/> | <input checked="" type="checkbox"/> | <input checked="" type="checkbox"/> | <input checked="" type="checkbox"/> | <input type="checkbox"/> | <input checked="" type="checkbox"/> | <input checked="" type="checkbox"/> |
| 42 | 41 | 40 | 39 | 38 | 37 | 36 | 35 | 34 | 33 | 32 | 31 | 30 | 29 |
| <input type="checkbox"/> | <input type="checkbox"/> | <input type="checkbox"/> | <input type="checkbox"/> | <input checked="" type="checkbox"/> | <input checked="" type="checkbox"/> | <input checked="" type="checkbox"/> | <input type="checkbox"/> | <input type="checkbox"/> | <input type="checkbox"/> | <input checked="" type="checkbox"/> | <input checked="" type="checkbox"/> | <input checked="" type="checkbox"/> | <input checked="" type="checkbox"/> |
| 28 | 27 | 26 | 25 | 24 | 23 | 22 | 21 | 20 | 19 | 18 | 17 | 16 | 15 |
| <input type="checkbox"/> | <input type="checkbox"/> | <input checked="" type="checkbox"/> | <input checked="" type="checkbox"/> | <input checked="" type="checkbox"/> | <input checked="" type="checkbox"/> | <input checked="" type="checkbox"/> | <input checked="" type="checkbox"/> | <input checked="" type="checkbox"/> | <input checked="" type="checkbox"/> | <input type="checkbox"/> | <input type="checkbox"/> | <input type="checkbox"/> | <input checked="" type="checkbox"/> |
| 14 | 13 | 12 | 11 | 10 | 9 | 8 | 7 | 6 | 5 | 4 | 3 | 2 | 1 |
| <input type="checkbox"/> | <input type="checkbox"/> | <input checked="" type="checkbox"/> | <input checked="" type="checkbox"/> | <input checked="" type="checkbox"/> | <input checked="" type="checkbox"/> | <input checked="" type="checkbox"/> | <input checked="" type="checkbox"/> | <input checked="" type="checkbox"/> | <input checked="" type="checkbox"/> | <input checked="" type="checkbox"/> | <input type="checkbox"/> | <input type="checkbox"/> | <input checked="" type="checkbox"/> |

FOR ADDITIONAL INFORMATION SEE SD-34576-001

| STATUS | GM PART # | HRNS CONN ASSY | | | TPA | | GROMMET CAP | | | | | | | | | | | | | | | | |
|----------------|-----------|----------------|-------------------|--|--|---|-------------|----|----|----|----|----|----|----|----|----|----|----|----|----|--|--|--|
| | | MATERIAL/PART | WIRE DRESS OPTION | KEY OPTION  | COLOR OPTION  | NUMBERS INDICATE CAVITIES OPEN FOR CIRCUITS  | | | | | | | | | | | | | | | | | |
| | | NUMBER | | | | | | | | | | | | | | | | | | | | | |
| SALEABLE | 12672838 | 34576-0103 | 0 | A | BLACK | | | | | | | | | | | | | | | | | | |
| CONCEPT ONLY | 12672840 | 34576-0203 | 0 | B | ST GRY | 48 | 47 | 46 | 45 | 44 | 43 | 42 | 41 | 40 | 39 | 38 | 37 | 36 | 35 | | | | |
| SALEABLE | 12672842 | 34576-0303 | 0 | C | BLUE | 34 | 33 | 32 | 31 | 30 | 29 | 28 | 27 | 26 | 25 | 24 | 23 | 22 | 21 | | | | |
| CONCEPT ONLY | TBD | 34576-0403 | 0 | D | BROWN | 49 | | | | | 20 | 19 | 18 | 17 | 16 | 15 | 14 | 13 | 12 | 11 | | | |
| CONCEPT ONLY | TBD | 34576-0503 | 0 | E | GREEN | | | | | | 10 | 9 | 8 | 7 | 6 | 5 | 4 | 3 | 2 | 1 | | | |
| CONCEPT ONLY | TBD | 34576-0603 | 0 | F | NATURAL | | | | | | | | | | | | | | | | | | |
| SALEABLE | 12672848 | 34576-0703 | 0 | G | BLUE | | | | | | | | | | | | | | | | | | |
| SALEABLE | 12672846 | 34576-0803 | 0 | H | ST GRY | 56 | 55 | 54 | 53 | 52 | 51 | 50 | 49 | 48 | 47 | 46 | 45 | 44 | 43 | | | | |
| TOOL DES. REL. | 12672844 | 34576-0903 | 0 | J | BLACK | 42 | 41 | 40 | 39 | 38 | 37 | 36 | 35 | 34 | 33 | 32 | 31 | 30 | 29 | | | | |
| TOOL DES. REL. | TBD | 34576-1003 | 0 | K | BROWN | 28 | 27 | 26 | 25 | 24 | 23 | 22 | 21 | 20 | 19 | 18 | 17 | 16 | 15 | | | | |
| TOOL DES. REL. | TBD | 34576-1103 | 0 | L | GREEN | 14 | 13 | 12 | 11 | 10 | 9 | 8 | 7 | 6 | 5 | 4 | 3 | 2 | 1 | | | | |
| TOOL DES. REL. | TBD | 34576-1203 | 0 | M | NATURAL | | | | | | | | | | | | | | | | | | |
| SALEABLE | 12672839 | 34576-1303 | 9 | A | BLACK | | | | | | | | | | | | | | | | | | |
| CONCEPT ONLY | 12672841 | 34576-1403 | 9 | B | ST GRY | 48 | 47 | 46 | 45 | 44 | 43 | 42 | 41 | 40 | 39 | 38 | 37 | 36 | 35 | | | | |
| SALEABLE | 12672843 | 34576-1503 | 9 | C | BLUE | 34 | 33 | 32 | 31 | 30 | 29 | 28 | 27 | 26 | 25 | 24 | 23 | 22 | 21 | | | | |
| CONCEPT ONLY | TBD | 34576-1603 | 9 | D | BROWN | 49 | | | | | 20 | 19 | 18 | 17 | 16 | 15 | 14 | 13 | 12 | 11 | | | |
| CONCEPT ONLY | TBD | 34576-1703 | 9 | E | GREEN | | | | | | 10 | 9 | 8 | 7 | 6 | 5 | 4 | 3 | 2 | 1 | | | |
| CONCEPT ONLY | TBD | 34576-1803 | 9 | F | NATURAL | | | | | | | | | | | | | | | | | | |
| SALEABLE | 12672849 | 34576-1903 | 9 | G | BLUE | | | | | | | | | | | | | | | | | | |



MX123 18/28/42/49/56-WAY RECEPTACLE ASSY SEALED PIN OUT SHEET

| STATUS | GM PART # | HRNS CONN ASSY | | | TPA GROMMET CAP | | | | | | | | | | | | | | | | | | |
|----------------|-----------|----------------|-------------------|-----------------------|-------------------------|--|----|----|----|----|----|----|----|----|----|----|----|----|----|----|----|----|----|
| | | MATERIAL/PART | WIRE DRESS OPTION | KEY OPTION ▽ Fp | COLOR OPTION ▽ Fp | NUMBERS INDICATE CAVITIES OPEN FOR CIRCUITS ▽ Fp | | | | | | | | | | | | | | | | | |
| | | NUMBER | | | | | | | | | | | | | | | | | | | | | |
| TOOL DES. REL. | 12672847 | 34576-2003 | 9 | H | ST GRY | 56 | 55 | 54 | 53 | 52 | 51 | 50 | 49 | 48 | 47 | 46 | 45 | 44 | 43 | | | | |
| TOOL DES. REL. | 12672845 | 34576-2103 | 9 | J | BLACK | 42 | 41 | 40 | 39 | 38 | 37 | 36 | 35 | 34 | 33 | 32 | 31 | 30 | 29 | | | | |
| TOOL DES. REL. | TBD | 34576-2203 | 9 | K | BROWN | 28 | 27 | 26 | 25 | 24 | 23 | 22 | 21 | 20 | 19 | 18 | 17 | 16 | 15 | | | | |
| TOOL DES. REL. | TBD | 34576-2303 | 9 | L | GREEN | 14 | 13 | 12 | 11 | 10 | 9 | 8 | 7 | 6 | 5 | 4 | 3 | 2 | 1 | | | | |
| TOOL DES. REL. | TBD | 34576-2403 | 9 | M | NATURAL | | | | | | | | | | | | | | | | | | |
| SALEABLE | 12672834 | 34851-0007 | 0 | G | BLUE | | | | | | | | | | | | | | | | | | |
| SALEABLE | 12672836 | 34851-0008 | 0 | H | ST GRY | 18 | | | | | | 17 | 16 | 15 | 14 | 1 | | | | | | | |
| | | | | | | | | | | | | | | 13 | 12 | | | | | | | 11 | 10 |
| | | | | | | | | | | | | | | 9 | 8 | | | | | | | 7 | 6 |
| | | | | | | | | | | | | | | 5 | 4 | | | | | | | 3 | 2 |
| SALEABLE | 12672835 | 34851-0019 | 9 | G | BLUE | | | | | | | | | | | | | | | | | | |
| SALEABLE | 12672837 | 34851-0020 | 9 | H | ST GRY | 18 | | | | | | 17 | 16 | 15 | 14 | 1 | | | | | | | |
| | | | | | | | | | | | | | | 13 | 12 | | | | | | | 11 | 10 |
| | | | | | | | | | | | | | | 9 | 8 | | | | | | | 7 | 6 |
| | | | | | | | | | | | | | | 5 | 4 | | | | | | | 3 | 2 |
| CONCEPT ONLY | | 160095-0001 | 0 | A | BLACK | | | | | | | | | | | | | | | | | | |
| CONCEPT ONLY | | 160095-0002 | 0 | B | ST GRY | 27 | | | | | | 26 | 25 | 24 | 23 | 22 | 21 | 1 | | | | | |
| CONCEPT ONLY | | 160095-0003 | 0 | C | BLUE | | | | | | | | | | | | | | | | | 20 | 19 |
| | | | | | | 28 | | | | | | 14 | 13 | 12 | 11 | 10 | 9 | 2 | | | | | |
| | | | | | | | | | | | | | | | | | | | | | | 8 | 7 |
| CONCEPT ONLY | | 160095-0013 | 9 | A | BLACK | | | | | | | | | | | | | | | | | | |
| CONCEPT ONLY | | 160095-0014 | 9 | B | ST GRY | 1 | | | | | | 21 | 22 | 23 | 24 | 25 | 26 | 27 | | | | | |
| CONCEPT ONLY | | 160095-0015 | 9 | C | BLUE | | | | | | | | | | | | | | | | | 15 | 16 |
| | | | | | | 2 | | | | | | 9 | 10 | 11 | 12 | 13 | 14 | 28 | | | | | |
| | | | | | | | | | | | | | | | | | | | | | | 3 | 4 |
| CONCEPT ONLY | | 160051-0001 | 0 | A | BLACK | | | | | | | | | | | | | | | | | | |
| CONCEPT ONLY | | 160051-0003 | 0 | C | | 1 | 2 | 3 | 4 | 5 | 6 | 7 | 8 | 9 | 10 | 42 | | | | | | | |
| | | | | | | 11 | 12 | 13 | 14 | 15 | 16 | 17 | 18 | 19 | 20 | | | | | | | | |
| | | | | | | 41 | | | | | | 21 | 22 | 23 | 24 | 25 | 26 | 27 | 28 | 29 | 30 | | |
| | | | | | | | | | | | | | | | | | | 31 | 32 | 33 | 34 | 35 | 36 |
| CONCEPT ONLY | | 160051-0013 | 9 | A | BLACK | | | | | | | | | | | | | | | | | | |



MX123 18/28/42/49/56-WAY RECEPTACLE ASSY SEALED PIN OUT SHEET

| STATUS | GM PART # | HRNS CONN ASSY | | | TPA GROMMET CAP | | | | | | | | | | | | | | |
|--------------|----------------|----------------|-------------------|-----------------------|-------------------------|--|----|----|----|----|----|----|----|----|----|----|----|----|----|
| | | MATERIAL/PART | WIRE DRESS OPTION | KEY OPTION ▽ Fp | COLOR OPTION ▽ Fp | NUMBERS INDICATE CAVITIES OPEN FOR CIRCUITS ▽ Fp | | | | | | | | | | | | | |
| | | NUMBER | | | | 40 | 39 | 38 | 37 | 36 | 35 | 34 | 33 | 32 | 31 | 41 | | | |
| CONCEPT ONLY | | 160051-0015 | 9 | C | BLUE | 30 | 29 | 28 | 27 | 26 | 25 | 24 | 23 | 22 | 21 | 41 | | | |
| | | | | | | 42 | | | | 20 | 19 | 18 | 17 | 16 | 15 | 14 | 13 | 12 | 11 |
| | | | | | | | | | | 10 | 9 | 8 | 7 | 6 | 5 | 4 | 3 | 2 | 1 |
| SALEABLE | NOT APPLICABLE | 34576-2503 | 0 | G | BLUE | 56 | 55 | 54 | 53 | | | | 49 | 48 | 47 | | | 44 | |
| | | | | | | | | 40 | | | | 37 | 36 | 35 | 34 | 33 | | | |
| | | | | | | | | | | | | | | 20 | 19 | 18 | | | |
| | | | | | | | | 13 | 12 | | | 9 | | 7 | 6 | | | | 2 |
| SALEABLE | NOT APPLICABLE | 34576-2603 | 0 | G | BLUE | 56 | 55 | 54 | 53 | | | | 49 | 48 | 47 | | | 44 | |
| | | | | | | | | 40 | | | | 37 | 36 | 35 | 34 | 33 | | | |
| | | | | | | | | | | | | | | 20 | 19 | 18 | | | |
| | | | | | | | | 13 | 12 | | | 9 | | 7 | 6 | | | | |
| SALEABLE | NOT APPLICABLE | 34576-2703 | 0 | G | BLUE | | | | | | | | | | | | | | |
| | | | | | | | | | | | | | | | | | | | |
| | | | | | | | | | | | | | | | | | | | |
| SALEABLE | NOT APPLICABLE | 34576-2803 | 0 | G | BLUE | | 55 | 54 | 53 | | | | 49 | 48 | 47 | | | 44 | |
| | | | | | | | | 40 | | | | 37 | 36 | 35 | 34 | 33 | | | |
| | | | | | | | | | | | | | | 20 | 19 | 18 | | | |
| | | | | | | | | 13 | 12 | | | 9 | | 7 | | | | | |
| SALEABLE | NOT APPLICABLE | 34576-2903 | 0 | G | BLUE | 56 | 55 | | 53 | | | | 49 | 48 | 47 | 46 | 45 | 44 | |
| | | | | | | | | 40 | 39 | | | 37 | 36 | 35 | 34 | 33 | | | 30 |
| | | | | | | | | | 25 | | | | | 20 | 19 | 18 | | | |
| | | | | | | | | 13 | 12 | | | 9 | | 7 | | | | | |
| SALEABLE | NOT APPLICABLE | 34576-3003 | 0 | G | BLUE | 56 | 55 | 54 | 53 | | | | 49 | 48 | 47 | | | 44 | |
| | | | | | | | | 40 | | | | 37 | 36 | 35 | 34 | 33 | | | 29 |
| | | | | | | | | | | | | | | 20 | 19 | 18 | | | 16 |
| | | | | | | | | 13 | 12 | | | 9 | | 7 | 6 | | | | 2 |
| SALEABLE | NOT APPLICABLE | 34576-3103 | 0 | G | BLUE | 56 | 55 | 54 | 53 | | | | 49 | 48 | 47 | 46 | 45 | 44 | |
| | | | | | | | | 40 | 39 | | | 37 | 36 | 35 | 34 | 33 | | | |
| | | | | | | | | | | | | | | 20 | 19 | 18 | | | |
| | | | | | | | | 13 | 12 | | | 9 | | 7 | | | | | |
| SALEABLE | NOT APPLICABLE | 34576-3203 | 0 | G | BLUE | | 55 | 54 | 53 | | | | 49 | 48 | 47 | 46 | | 44 | |
| | | | | | | | | 40 | | | | 37 | 36 | 35 | 34 | 33 | 32 | 31 | |
| | | | | | | | | | | | | | | 20 | 19 | 18 | | | |
| | | | | | | | | 13 | 12 | | | 9 | | 7 | | | | | |



MX123 18/28/42/49/56-WAY RECEPTACLE ASSY SEALED PIN OUT SHEET

| STATUS | GM PART # | HRNS CONN ASSY | | | TPA GROMMET CAP | | | | | | | | | | | | | | | | | | | |
|----------|----------------|----------------|-------------------|-----------------------|-------------------------|--|----|----|----|----|----|----|----|----|----|----|----|----|----|----|--|----|----|--|
| | | MATERIAL/PART | WIRE DRESS OPTION | KEY OPTION ▽ Fp | COLOR OPTION ▽ Fp | NUMBERS INDICATE CAVITIES OPEN FOR CIRCUITS ▽ Fp | | | | | | | | | | | | | | | | | | |
| | | NUMBER | | | | 56 | 55 | 54 | | | | | 49 | 48 | 47 | | | 44 | | | | | | |
| SALEABLE | NOT APPLICABLE | 34576-3303 | 0 | G | BLUE | | | 40 | | | | 37 | 36 | 35 | 34 | 33 | | 20 | 19 | 18 | | | | |
| | | | | | | | 13 | 12 | | | | 9 | | 7 | 6 | | | | | | | | | |
| SALEABLE | NOT APPLICABLE | 34576-3403 | 0 | G | BLUE | | 55 | 54 | 53 | | | | | 49 | 48 | 47 | | | | | | | 44 | |
| | | | | | | | | 40 | 39 | | | 37 | 36 | 35 | 34 | 33 | | | | | | | | |
| | | | | | | | | 26 | | | | | | | 20 | 19 | 18 | | | | | | | |
| | | | | | | | 13 | 12 | | | | 9 | | 7 | | | | | | | | | | |
| SALEABLE | NOT APPLICABLE | 34576-3503 | 0 | G | BLUE | 56 | 55 | | 53 | | | | | 49 | 48 | 47 | | | | | | | 44 | |
| | | | | | | | | 40 | | | | 37 | 36 | 35 | 34 | 33 | | | | | | | | |
| | | | | | | | | | | | | | | | 20 | 19 | 18 | | | | | | | |
| | | | | | | | | 13 | 12 | | | 9 | | 7 | 6 | | | | | | | | 2 | |
| SALEABLE | NOT APPLICABLE | 34576-3603 | 0 | G | BLUE | | 55 | 54 | 53 | | | | | 49 | 48 | 47 | | | | | | | 44 | |
| | | | | | | | | 40 | | | | 37 | 36 | 35 | 34 | 33 | | | | | | | | |
| | | | | | | | | 26 | | | | | | | 20 | 19 | 18 | | | | | | | |
| | | | | | | | | 13 | 12 | | | 9 | | 7 | | | | | | | | | | |
| SALEABLE | NOT APPLICABLE | 34576-3703 | 0 | G | BLUE | 56 | 55 | 54 | 53 | | | | | 49 | 48 | 47 | | | | | | | 44 | |
| | | | | | | | | 40 | | | | 37 | 36 | 35 | 34 | 33 | | | | | | | 29 | |
| | | | | | | | | | | | | | | | 20 | 19 | 18 | | | | | 16 | 15 | |
| | | | | | | | | 13 | 12 | | | 9 | | 7 | 6 | | | | | | | 2 | | |
| SALEABLE | NOT APPLICABLE | 34576-3803 | 0 | G | BLUE | 56 | | 54 | 53 | | | | | 49 | | 47 | 46 | | | | | 44 | | |
| | | | | | | | | 40 | 39 | | | 37 | 36 | 35 | | 33 | 32 | 31 | | | | | 29 | |
| | | | | | | | | | 25 | | | | | | 20 | 19 | 18 | | | | | | 15 | |
| | | | | | | | | 13 | 12 | | | 9 | | 7 | | | | | | | | 2 | | |
| SALEABLE | NOT APPLICABLE | 34576-3903 | 0 | G | BLUE | 56 | | 54 | 53 | | | | | 49 | | 47 | | | | | | 44 | | |
| | | | | | | | | 40 | 39 | | | 37 | 36 | 35 | | 33 | | | | | | | 29 | |
| | | | | | | | | | 25 | | | | | | 20 | 19 | 18 | | | | | | 15 | |
| | | | | | | | | 13 | 12 | | | 9 | | 7 | | | | | | | | | | |
| SALEABLE | NOT APPLICABLE | 34576-4003 | 0 | G | BLUE | 56 | 55 | 54 | 53 | | | | | 49 | 48 | 47 | | | | | | 45 | 44 | |
| | | | | | | | | 40 | 39 | | | 37 | 36 | 35 | 34 | 33 | | | | | | | 29 | |
| | | | | | | | | | 25 | | | | | | 20 | 19 | 18 | | | | | 16 | 15 | |
| | | | | | | | | 13 | 12 | | | 9 | | 7 | 6 | | | | | | | | 1 | |
| SALEABLE | NOT APPLICABLE | 34576-4103 | 0 | G | BLUE | 56 | 55 | 54 | 53 | | | | | 49 | 48 | 47 | 46 | | | | | 44 | | |
| | | | | | | | | 40 | 39 | 38 | 37 | 36 | 35 | 34 | 33 | 32 | 31 | | | | | | 29 | |
| | | | | | | | | | 25 | | | | | | 20 | 19 | 18 | | | | | 16 | | |
| | | | | | | | | 13 | 12 | | | 9 | | 7 | | | | | | | | | | |



MX123 18/28/42/49/56-WAY RECEPTACLE ASSY SEALED PIN OUT SHEET

| STATUS | GM PART # | HRNS CONN ASSY | | | TPA GROMMET CAP | | | | | | | | | | | | | | | | | |
|----------------|----------------|----------------|-------------------|-----------------------|-------------------------|--|----|----|----|--|--|--|----|----|----|--|----|----|--|--|--|--|
| | | MATERIAL/PART | WIRE DRESS OPTION | KEY OPTION ▽ Fp | COLOR OPTION ▽ Fp | NUMBERS INDICATE CAVITIES OPEN FOR CIRCUITS ▽ Fp | | | | | | | | | | | | | | | | |
| | | NUMBER | | | | 56 | 55 | 54 | 53 | | | | 49 | 48 | 47 | | 45 | 44 | | | | |
| SALEABLE | NOT APPLICABLE | 34576-4203 | 0 | G | BLUE | | | | | | | | | | | | | | | | | |
| | | | | | | | | | | | | | | | | | | | | | | |
| | | | | | | | | | | | | | | | | | | | | | | |
| SALEABLE | NOT APPLICABLE | 34576-4303 | 0 | G | BLUE | | | | | | | | | | | | | | | | | |
| | | | | | | | | | | | | | | | | | | | | | | |
| | | | | | | | | | | | | | | | | | | | | | | |
| SALEABLE | NOT APPLICABLE | 34576-4403 | 0 | G | BLUE | | | | | | | | | | | | | | | | | |
| | | | | | | | | | | | | | | | | | | | | | | |
| | | | | | | | | | | | | | | | | | | | | | | |
| SALEABLE | NOT APPLICABLE | 34576-4503 | 0 | G | BLUE | | | | | | | | | | | | | | | | | |
| | | | | | | | | | | | | | | | | | | | | | | |
| | | | | | | | | | | | | | | | | | | | | | | |
| SALEABLE | NOT APPLICABLE | 34576-4603 | 0 | G | BLUE | | | | | | | | | | | | | | | | | |
| | | | | | | | | | | | | | | | | | | | | | | |
| | | | | | | | | | | | | | | | | | | | | | | |
| SALEABLE | NOT APPLICABLE | 34576-4703 | 0 | G | BLUE | | | | | | | | | | | | | | | | | |
| | | | | | | | | | | | | | | | | | | | | | | |
| | | | | | | | | | | | | | | | | | | | | | | |
| SALEABLE | NOT APPLICABLE | 34576-4803 | 0 | G | BLUE | | | | | | | | | | | | | | | | | |
| | | | | | | | | | | | | | | | | | | | | | | |
| | | | | | | | | | | | | | | | | | | | | | | |
| TOOL DES. REL. | NOT APPLICABLE | 34576-4903 | 9 | G | BLUE | | | | | | | | | | | | | | | | | |
| | | | | | | | | | | | | | | | | | | | | | | |
| | | | | | | | | | | | | | | | | | | | | | | |
| SALEABLE | NOT APPLICABLE | 34576-5003 | 0 | G | BLUE | | | | | | | | | | | | | | | | | |
| | | | | | | | | | | | | | | | | | | | | | | |
| | | | | | | | | | | | | | | | | | | | | | | |



MX123 18/28/42/49/56-WAY RECEPTACLE ASSY SEALED PIN OUT SHEET

| STATUS | GM PART # | HRNS CONN ASSY | | | TPA GROMMET CAP | | | | | | | | | | | | | | | | | |
|----------------|----------------|----------------|-------------------|-----------------------|-------------------------|--|----|----|----|----|----|----|----|----|----|----|----|----|----|----|----|----|
| | | MATERIAL/PART | WIRE DRESS OPTION | KEY OPTION ▽ Fp | COLOR OPTION ▽ Fp | NUMBERS INDICATE CAVITIES OPEN FOR CIRCUITS ▽ Fp | | | | | | | | | | | | | | | | |
| | | NUMBER | | | | | | | | | | | | | | | | | | | | |
| SALEABLE | NOT APPLICABLE | 34576-5103 | 0 | G | BLUE | | 55 | | 53 | | 51 | | 49 | 48 | 47 | | | 44 | | | | |
| | | | | | | | | 40 | | 37 | 36 | 35 | 34 | 33 | | | | | | 16 | 15 | 29 |
| | | | | | | | 13 | 12 | | 9 | | 7 | | 20 | 19 | 18 | | | 4 | | 2 | |
| SALEABLE | NOT APPLICABLE | 34576-5203 | 0 | G | BLUE | 56 | 55 | 54 | 53 | | | | 49 | 48 | 47 | | | 44 | | | | |
| | | | | | | | | 40 | 39 | | 37 | 36 | 35 | 34 | 33 | | | | | | | 29 |
| | | | | | | | 13 | 12 | | | 9 | | 7 | | 20 | 19 | 18 | | | | | |
| TOOL DES. REL. | NOT APPLICABLE | 34576-5303 | 9 | G | BLUE | | | | | | | | | | | | | | | | | |
| | | | | | | | | | | | | | | | | | | | | | | |
| | | | | | | | | | | | | | | | | | | | | | | |
| SALEABLE | NOT APPLICABLE | 34576-5403 | 0 | G | BLUE | | 55 | | 53 | | 51 | | 49 | 48 | 47 | | | 44 | | | | |
| | | | | | | | | 40 | 39 | | 37 | 36 | 35 | 34 | 33 | | | | | 30 | | |
| | | | | | | | | 26 | 25 | | | 22 | 21 | 20 | 19 | 18 | | | 16 | | | |
| SALEABLE | NOT APPLICABLE | 34576-5503 | 0 | G | BLUE | | 13 | 12 | | | 9 | | 7 | | | 4 | | 2 | 1 | | | |
| | | | | | | 56 | 55 | | 53 | | 51 | | 49 | 48 | 47 | | | 44 | | | | |
| | | | | | | | | 40 | 39 | | 37 | 36 | 35 | 34 | 33 | | | 30 | | | | |
| SALEABLE | NOT APPLICABLE | 34576-5603 | 0 | G | BLUE | | | | 25 | | | 22 | 21 | 20 | 19 | 18 | | 16 | | | | |
| | | | | | | 56 | 55 | | 53 | | | 49 | 48 | 47 | 46 | | 44 | | | | | |
| | | | | | | | | 40 | 39 | | 37 | 36 | 35 | 34 | 33 | 32 | 31 | 30 | | | | |
| SALEABLE | NOT APPLICABLE | 34576-5703 | 0 | G | BLUE | | 13 | 12 | | | 9 | | 7 | | | 4 | | 2 | 1 | | | |
| | | | | | | | | | 25 | | | 22 | 21 | 20 | 19 | 18 | | 16 | | | | |
| | | | | | | 55 | | 40 | 39 | | 37 | 36 | 35 | 34 | 33 | 32 | 31 | 30 | | | | |
| SALEABLE | NOT APPLICABLE | 34576-5803 | 0 | G | BLUE | | | | | | | | 49 | 48 | 47 | 46 | 45 | 44 | | | | |
| | | | | | | | | 40 | 39 | | 37 | 36 | 35 | 34 | 33 | | | | | | | |
| | | | | | | | | 26 | 25 | | | | | 20 | 19 | 18 | | | | | | |
| SALEABLE | NOT APPLICABLE | 34576-5903 | 0 | G | BLUE | | 13 | 12 | | | 9 | | 7 | | | | | | | | | |
| | | | | | | 56 | | | 53 | 52 | | | | | 47 | | 45 | | 43 | | | |
| | | | | | | | 41 | 40 | 39 | 38 | | | | 34 | 33 | | 31 | 30 | 29 | | | |
| | 28 | 27 | 26 | 25 | 24 | | | 20 | 19 | 18 | | | 16 | | | | | | | | | |
| | | | | | | | | | | | | | | | 3 | 2 | | | | | | |



MX123 18/28/42/49/56-WAY RECEPTACLE ASSY SEALED PIN OUT SHEET

| STATUS | GM PART # | HRNS CONN ASSY | | | TPA GROMMET CAP | | | | | | | | | | | | | | | | | | | | | | |
|----------|----------------|----------------|-------------------|------------------|--------------------|---|----|----|----|----|----|----|----|----|----|----|----|----|----|----|---|----|--|--|--|--|--|
| | | MATERIAL/PART | WIRE DRESS OPTION | KEY OPTION Fp | COLOR OPTION Fp | NUMBERS INDICATE CAVITIES OPEN FOR CIRCUITS Fp | | | | | | | | | | | | | | | | | | | | | |
| | | NUMBER | | | | | | | | | | | | | | | | | | | | | | | | | |
| SALEABLE | NOT APPLICABLE | 34576-6003 | 0 | G | BLUE | 56 | | | 53 | 52 | | 50 | | | 47 | | 45 | | 43 | | | | | | | | |
| | | | | | | | | 40 | 39 | 38 | | | | 34 | 33 | | 31 | 30 | 29 | | | | | | | | |
| | | | | | | 28 | 27 | 26 | 25 | 24 | | | | 20 | 19 | 18 | | 16 | | | | | | | | | |
| | | | | | | 14 | 13 | 12 | 11 | 10 | | | | | | 5 | 4 | 3 | 2 | | | | | | | | |
| SALEABLE | NOT APPLICABLE | 34576-6103 | 0 | G | BLUE | 56 | 55 | 54 | 53 | | 51 | | 49 | 48 | 47 | | | 44 | | | | | | | | | |
| | | | | | | | | 40 | 39 | | 37 | 36 | 35 | 34 | 33 | | | | | | | 29 | | | | | |
| | | | | | | | | | | | | | | | 20 | 19 | 18 | | 16 | 15 | | | | | | | |
| | | | | | | | 13 | 12 | | | 9 | | 7 | | | | 4 | | 2 | | | | | | | | |
| SALEABLE | NOT APPLICABLE | 34576-6203 | 0 | G | BLUE | | 55 | 54 | 53 | | | | 49 | 48 | 47 | 46 | 45 | 44 | | | | | | | | | |
| | | | | | | | | 40 | 39 | | 37 | 36 | 35 | 34 | 33 | | | | | | | | | | | | |
| | | | | | | | | 26 | | | | | | | 20 | 19 | 18 | | | | | | | | | | |
| | | | | | | | 13 | 12 | | | 9 | | 7 | | | | | | | | | | | | | | |
| SALEABLE | NOT APPLICABLE | 34576-6303 | 0 | G | BLUE | | 55 | 54 | 53 | | 51 | | 49 | 48 | 47 | | | 44 | | | | | | | | | |
| | | | | | | | | 40 | 39 | | 37 | 36 | 35 | 34 | 33 | | | | | | | | | | | | |
| | | | | | | | | 26 | | | | | | | 20 | 19 | 18 | | 16 | 15 | | | | | | | |
| | | | | | | | 13 | 12 | | | 9 | | 7 | | | | 4 | | 2 | | | | | | | | |
| SALEABLE | NOT APPLICABLE | 34576-6403 | 0 | G | BLUE | | 55 | 54 | | | | | 49 | 48 | 47 | | | 44 | | | | | | | | | |
| | | | | | | | 41 | 40 | | | 37 | 36 | 35 | 34 | 33 | | | | | | | | | | | | |
| | | | | | | | | | | | | | | | 20 | 19 | 18 | | | | | | | | | | |
| | | | | | | | 13 | 12 | | | 9 | 8 | 7 | | | | | | 3 | | | | | | | | |
| SALEABLE | NOT APPLICABLE | 34576-6503 | 0 | G | BLUE | | | 54 | | | | | | 47 | 46 | 45 | | 43 | | | | | | | | | |
| | | | | | | | 41 | 40 | 39 | 38 | 37 | | | | 33 | 32 | 31 | 30 | 29 | | | | | | | | |
| | | | | | | 28 | 27 | 26 | 25 | 24 | 23 | | | 20 | 19 | 18 | | 16 | | | | | | | | | |
| | | | | | | | 13 | 12 | 11 | 10 | 9 | | | | | | | | 3 | 2 | | | | | | | |
| SALEABLE | NOT APPLICABLE | 34576-6603 | 0 | G | BLUE | | | 54 | | | | | | 47 | 46 | 45 | | 43 | | | | | | | | | |
| | | | | | | | 41 | 40 | 39 | 38 | 37 | | | 34 | 33 | 32 | 31 | 30 | 29 | | | | | | | | |
| | | | | | | 28 | 27 | 26 | 25 | 24 | 23 | | | 20 | 19 | 18 | | 16 | | | | | | | | | |
| | | | | | | | 13 | 12 | 11 | 10 | 9 | | | | | | | | 3 | 2 | | | | | | | |
| SALEABLE | NOT APPLICABLE | 34576-6703 | 0 | G | BLUE | | | 55 | | 52 | 51 | | | 48 | | 46 | 45 | | 43 | | | | | | | | |
| | | | | | | | 41 | 40 | 39 | 38 | | | | 33 | 32 | 31 | 30 | 29 | | | | | | | | | |
| | | | | | | 28 | | 26 | 25 | 24 | | | | 20 | 19 | 18 | | 16 | 15 | | | | | | | | |
| | | | | | | | 13 | 12 | 11 | 10 | | | | | | | | | 3 | 2 | 1 | | | | | | |
| SALEABLE | NOT APPLICABLE | 34576-6803 | 0 | G | BLUE | | | | | 52 | | | | 48 | | 46 | 45 | | 43 | | | | | | | | |
| | | | | | | | 41 | 40 | 39 | 38 | | | | | 33 | 32 | 31 | 30 | 29 | | | | | | | | |
| | | | | | | 28 | | 26 | 25 | 24 | | | | 20 | 19 | 18 | | 16 | 15 | | | | | | | | |
| | | | | | | | 13 | 12 | 11 | 10 | | | | | | | | | 3 | 2 | 1 | | | | | | |



MX123 18/28/42/49/56-WAY RECEPTACLE ASSY SEALED PIN OUT SHEET

| STATUS | GM PART # | HRNS CONN ASSY | | | TPA GROMMET CAP | | | | | | | | | | | | | | | | | |
|----------|----------------|----------------|-------------------|------------------|--------------------|---|----|----|----|--|----|----|----|--|----|--|--|----|--|--|--|--|
| | | MATERIAL/PART | WIRE DRESS OPTION | KEY OPTION Fp | COLOR OPTION Fp | NUMBERS INDICATE CAVITIES OPEN FOR CIRCUITS Fp | | | | | | | | | | | | | | | | |
| | | NUMBER | | | | 56 | 55 | 54 | 53 | | 51 | 50 | 49 | | 47 | | | 44 | | | | |
| SALEABLE | NOT APPLICABLE | 34576-6813 | 0 | G | BLUE | | | | | | | | | | | | | | | | | |
| | | | | | | | | | | | | | | | | | | | | | | |
| | | | | | | | | | | | | | | | | | | | | | | |
| SALEABLE | NOT APPLICABLE | 34576-6823 | 0 | G | BLUE | | | | | | | | | | | | | | | | | |
| | | | | | | | | | | | | | | | | | | | | | | |
| | | | | | | | | | | | | | | | | | | | | | | |
| SALEABLE | NOT APPLICABLE | 34576-6833 | 0 | G | BLUE | | | | | | | | | | | | | | | | | |
| | | | | | | | | | | | | | | | | | | | | | | |
| | | | | | | | | | | | | | | | | | | | | | | |
| SALEABLE | NOT APPLICABLE | 34576-6843 | 0 | G | BLUE | | | | | | | | | | | | | | | | | |
| | | | | | | | | | | | | | | | | | | | | | | |
| | | | | | | | | | | | | | | | | | | | | | | |
| SALEABLE | NOT APPLICABLE | 34576-6853 | 0 | G | BLUE | | | | | | | | | | | | | | | | | |
| | | | | | | | | | | | | | | | | | | | | | | |
| | | | | | | | | | | | | | | | | | | | | | | |
| SALEABLE | NOT APPLICABLE | 34576-6863 | 0 | G | BLUE | | | | | | | | | | | | | | | | | |
| | | | | | | | | | | | | | | | | | | | | | | |
| | | | | | | | | | | | | | | | | | | | | | | |
| SALEABLE | NOT APPLICABLE | 34576-6873 | 0 | G | BLUE | | | | | | | | | | | | | | | | | |
| | | | | | | | | | | | | | | | | | | | | | | |
| | | | | | | | | | | | | | | | | | | | | | | |
| SALEABLE | NOT APPLICABLE | 34576-6883 | 0 | G | BLUE | | | | | | | | | | | | | | | | | |
| | | | | | | | | | | | | | | | | | | | | | | |
| | | | | | | | | | | | | | | | | | | | | | | |
| SALEABLE | NOT APPLICABLE | 34576-6893 | 0 | G | BLUE | | | | | | | | | | | | | | | | | |
| | | | | | | | | | | | | | | | | | | | | | | |
| | | | | | | | | | | | | | | | | | | | | | | |



MX123 18/28/42/49/56-WAY RECEPTACLE ASSY SEALED PIN OUT SHEET

| STATUS | GM PART # | HRNS CONN ASSY | | | TPA GROMMET CAP | | | | | | | | | | | | | | | | |
|----------------|----------------|----------------|-------------------|-----------------------|-------------------------|--|----|----|----|----|----|----|----|----|----|----|----|----|----|----|----|
| | | MATERIAL/PART | WIRE DRESS OPTION | KEY OPTION ▽ Fp | COLOR OPTION ▽ Fp | NUMBERS INDICATE CAVITIES OPEN FOR CIRCUITS ▽ Fp | | | | | | | | | | | | | | | |
| | | NUMBER | | | | | | | | | | | | | | | | | | | |
| SALEABLE | NOT APPLICABLE | 34576-6913 | 9 | G | BLUE | | | 54 | 53 | | | | | | | 47 | 46 | 45 | | 43 | |
| | | | | | | | 41 | 40 | | 38 | | | | | | 33 | 32 | 31 | 30 | 29 | |
| | | | | | | 28 | 27 | 26 | 25 | 24 | | | | 20 | 19 | 18 | | | 3 | 2 | |
| SALEABLE | NOT APPLICABLE | 34576-6923 | 9 | G | BLUE | | | 54 | 53 | | | | | | | 47 | 46 | 45 | | 43 | |
| | | | | | | | 41 | 40 | 39 | 38 | | | | | | 33 | 32 | 31 | 30 | 29 | |
| | | | | | | 28 | 27 | 26 | 25 | 24 | 23 | | | 20 | 19 | 18 | | | | 3 | 2 |
| TOOL DES. REL. | NOT APPLICABLE | 34851-0025 | 0 | G | BLUE | 18 | | | | | | | | | | | 1 | | | | |
| | | | | | | | | | | | | | | | | | | | | | |
| | | | | | | | | | | | | | | | | | | | | | |
| TOOL DES. REL. | NOT APPLICABLE | 34851-0026 | 0 | H | ST GRY | 18 | | | | | | | | | | | 1 | | | | |
| | | | | | | | | | | | | | | | | | | | | | |
| | | | | | | | | | | | | | | | | | | | | | |
| SALEABLE | NOT APPLICABLE | 34576-6933 | 0 | G | BLUE | | 55 | 54 | 53 | | | | | 49 | 48 | 47 | 46 | 45 | 44 | | |
| | | | | | | | | 40 | | | | 37 | 36 | 35 | 34 | 33 | | | | | |
| | | | | | | | | 26 | | | | | | | 20 | 19 | 18 | | | | |
| SALEABLE | NOT APPLICABLE | 34576-6943 | 0 | G | BLUE | | | 54 | 53 | | | | | | | 47 | 46 | 45 | | 43 | |
| | | | | | | | 41 | 40 | | 38 | | | | | | 33 | 32 | 31 | 30 | 29 | |
| | | | | | | 28 | 27 | 26 | 25 | 24 | | | | 20 | 19 | 18 | | | | 3 | 2 |
| SALEABLE | NOT APPLICABLE | 34576-6953 | 0 | G | BLUE | | | 54 | 53 | | | | | | | 47 | 46 | 45 | | 43 | |
| | | | | | | | 41 | 40 | 39 | 38 | | | | | | 33 | 32 | 31 | 30 | 29 | |
| | | | | | | 28 | 27 | 26 | 25 | 24 | 23 | | | 20 | 19 | 18 | | | | | 3 |
| SALEABLE | NOT APPLICABLE | 34576-6963 | 0 | G | BLUE | | 56 | | 54 | 53 | 52 | | | | | 47 | 46 | 45 | | 43 | |
| | | | | | | | | 41 | 40 | 39 | 38 | | | | | 34 | 33 | 32 | 31 | 30 | 29 |
| | | | | | | 28 | 27 | 26 | 25 | 24 | 23 | | | 20 | 19 | 18 | | | | | 3 |
| SALEABLE | NOT APPLICABLE | 34576-6973 | 0 | G | BLUE | | 56 | | | | 52 | 51 | 50 | | | | | | | 43 | |
| | | | | | | | 42 | 41 | | 39 | 38 | | | | | | | 32 | 31 | 30 | 29 |
| | | | | | | 28 | 27 | | 25 | 24 | 23 | 22 | 21 | | | | | | 17 | 16 | 15 |
| | 14 | | | 11 | 10 | | | 8 | | | 6 | 5 | 4 | 3 | 2 | 1 | | | | | |



MX123 18/28/42/49/56-WAY RECEPTACLE ASSY SEALED PIN OUT SHEET

| STATUS | GM PART # | HRNS CONN ASSY | | | TPA GROMMET CAP | | | | | | | | | | | | | | | | | | |
|----------|----------------|----------------|-------------------|------------------|--------------------|---|----|----|----|----|----|----|----|----|----|----|----|----|----|----|--|--|--|
| | | MATERIAL/PART | WIRE DRESS OPTION | KEY OPTION Fp | COLOR OPTION Fp | NUMBERS INDICATE CAVITIES OPEN FOR CIRCUITS Fp | | | | | | | | | | | | | | | | | |
| | | NUMBER | | | | | | | | | | | | | | | | | | | | | |
| SALEABLE | NOT APPLICABLE | 34576-6983 | 0 | G | BLUE | | | 54 | 53 | | | | | | | | 46 | | 44 | | | | |
| | | | | | | | | 40 | 39 | 38 | 37 | 36 | | | | 32 | 31 | 30 | | | | | |
| | | | | | | | | | 25 | 24 | 23 | 22 | 21 | 20 | 19 | | | | | | | | |
| SALEABLE | NOT APPLICABLE | 34576-6993 | 0 | G | BLUE | 56 | 55 | 54 | 53 | 52 | 51 | | | | | 47 | 46 | 45 | | 43 | | | |
| | | | | | | | 41 | 40 | | 38 | | | | | 33 | 32 | 31 | 30 | 29 | | | | |
| | | | | | | 28 | 27 | 26 | 25 | 24 | | | | 20 | 19 | 18 | | 16 | | | | | |
| SALEABLE | NOT APPLICABLE | 34576-7003 | 0 | G | BLUE | | | | | | | | | | | | | | | | | | |
| | | | | | | | 13 | 12 | 11 | 10 | | 8 | | | | | | | 3 | 2 | | | |
| | | | | | | 56 | 55 | 54 | | 52 | 51 | | | | 47 | 46 | 45 | | 43 | | | | |
| SALEABLE | NOT APPLICABLE | 34576-7013 | 0 | G | BLUE | | | | | | | | | | | | | | | | | | |
| | | | | | | | 13 | 12 | 11 | 10 | | 8 | | | | | | 3 | 2 | | | | |
| | | | | | | 56 | 55 | 54 | 53 | 52 | 51 | | | | 47 | 46 | 45 | | 43 | | | | |
| SALEABLE | NOT APPLICABLE | 34576-7023 | 0 | G | BLUE | | | | | | | | | | | | | | | | | | |
| | | | | | | | 13 | 12 | 11 | 10 | | 8 | | | | | | 3 | 2 | | | | |
| | | | | | | 56 | 55 | 54 | | 52 | 51 | | | | 47 | 46 | 45 | | 43 | | | | |
| SALEABLE | NOT APPLICABLE | 34576-7033 | 0 | G | BLUE | | | | | | | | | | | | | | | | | | |
| | | | | | | | 13 | 12 | 11 | 10 | | 8 | | | | | | 3 | 2 | | | | |
| | | | | | | 56 | | 54 | 53 | 52 | | | | | 47 | 46 | 45 | | 43 | | | | |
| SALEABLE | NOT APPLICABLE | 34576-7043 | 0 | G | BLUE | | | | | | | | | | | | | | | | | | |
| | | | | | | | 13 | 12 | 11 | 10 | | 8 | | | | | | 3 | 2 | | | | |
| | | | | | | 56 | | 54 | | 52 | | | | | 47 | 46 | 45 | | 43 | | | | |
| SALEABLE | NOT APPLICABLE | 34576-7053 | 0 | G | BLUE | | | | | | | | | | | | | | | | | | |
| | | | | | | | 13 | 12 | 11 | 10 | | 8 | | | | | | 3 | 2 | | | | |
| | | | | | | 56 | | 54 | 53 | 52 | | | | | 47 | 46 | 45 | | 43 | | | | |
| SALEABLE | NOT APPLICABLE | 34576-7063 | 0 | G | BLUE | | | | | | | | | | | | | | | | | | |
| | | | | | | | 13 | 12 | 11 | 10 | | 8 | | | | | | 3 | 2 | | | | |
| | | | | | | 56 | | 54 | | 52 | | | | | 47 | 46 | 45 | | 43 | | | | |



MX123 18/28/42/49/56-WAY RECEPTACLE ASSY SEALED PIN OUT SHEET

| STATUS | GM PART # | HRNS CONN ASSY | | | TPA GROMMET CAP | | | | | | | | | | | | | | | |
|----------|----------------|----------------|-------------------|-----------------------|-------------------------|--|----|----|----|----|----|----|----|----|----|----|----|----|----|----|
| | | MATERIAL/PART | WIRE DRESS OPTION | KEY OPTION ▽ Fp | COLOR OPTION ▽ Fp | NUMBERS INDICATE CAVITIES OPEN FOR CIRCUITS ▽ Fp | | | | | | | | | | | | | | |
| | | NUMBER | | | | | | | | | | | | | | | | | | |
| SALEABLE | NOT APPLICABLE | 34576-7073 | 0 | G | BLUE | | | 54 | 53 | 52 | | | | | 47 | 46 | 45 | | 43 | |
| | | | | | | | 41 | 40 | | 38 | | | | | 33 | 32 | 31 | 30 | 29 | |
| | | | | | | 28 | 27 | 26 | 25 | 24 | | | | 20 | 19 | 18 | | 16 | | |
| | | | | | | | 13 | 12 | 11 | 10 | | 8 | | | | | | 3 | 2 | |
| SALEABLE | NOT APPLICABLE | 34576-7083 | 0 | G | BLUE | | | 54 | 53 | 52 | | | | | 47 | 46 | 45 | | 43 | |
| | | | | | | | 41 | 40 | | 38 | | | | 34 | 33 | 32 | 31 | 30 | 29 | |
| | | | | | | 28 | 27 | 26 | 25 | 24 | | | | 20 | 19 | 18 | | 16 | | |
| | | | | | | | 13 | 12 | 11 | 10 | | 8 | | | | | | 3 | 2 | |
| SALEABLE | NOT APPLICABLE | 34576-7093 | 0 | G | BLUE | | | 54 | 53 | | | | | | 47 | 46 | 45 | | 43 | |
| | | | | | | | 41 | 40 | | 38 | | | | | 33 | 32 | 31 | 30 | 29 | |
| | | | | | | 28 | 27 | 26 | 25 | 24 | | | | 20 | 19 | 18 | | 16 | | |
| | | | | | | | 13 | 12 | 11 | 10 | | 8 | | | | | | 3 | 2 | |
| SALEABLE | NOT APPLICABLE | 34576-7103 | 0 | G | BLUE | 56 | 55 | | | 52 | 51 | 50 | 49 | 48 | 47 | | 45 | | 43 | |
| | | | | | | 42 | 41 | | | | | | 35 | 34 | 33 | | | | 29 | |
| | | | | | | 28 | 27 | 26 | | | | | | | | | 18 | 17 | 16 | 15 |
| | | | | | | 14 | 13 | 12 | | | | | | | | | | 3 | | 1 |
| SALEABLE | NOT APPLICABLE | 34576-7113 | 0 | G | BLUE | | | 54 | | | | | | | 47 | 46 | 45 | | 43 | |
| | | | | | | | 41 | 40 | | 38 | | | | | 33 | 32 | 31 | 30 | 29 | |
| | | | | | | 28 | 27 | 26 | 25 | 24 | | | | 20 | 19 | 18 | | 16 | | |
| | | | | | | | 13 | 12 | 11 | 10 | | 8 | | | | | | 3 | 2 | |
| SALEABLE | NOT APPLICABLE | 34576-7123 | 0 | G | BLUE | 56 | 55 | | | 52 | 51 | 50 | 49 | 48 | 47 | | 45 | | 43 | |
| | | | | | | 42 | 41 | | | | | | 35 | 34 | 33 | | | | 29 | |
| | | | | | | 28 | 27 | 26 | | | | | | | | | 18 | | 16 | 15 |
| | | | | | | 14 | 13 | 12 | | | | | | | | | | 3 | | 1 |
| SALEABLE | NOT APPLICABLE | 34576-7133 | 9 | G | BLUE | 56 | | 54 | 53 | 52 | | | | | 47 | 46 | 45 | | 43 | |
| | | | | | | | 41 | 40 | 39 | 38 | | | | | 34 | 33 | 32 | 31 | 30 | 29 |
| | | | | | | 28 | 27 | 26 | 25 | 24 | 23 | | | 20 | 19 | 18 | | 16 | | |
| | | | | | | | 13 | 12 | 11 | 10 | 9 | 8 | | | | | | 3 | 2 | |
| SALEABLE | NOT APPLICABLE | 34576-7143 | 9 | G | BLUE | 56 | 55 | 54 | 53 | 52 | 51 | | | | 47 | 46 | 45 | | 43 | |
| | | | | | | | 41 | 40 | | 38 | | | | 34 | 33 | 32 | 31 | 30 | 29 | |
| | | | | | | 28 | 27 | 26 | 25 | 24 | | | | 20 | 19 | 18 | | 16 | | |
| | | | | | | | 13 | 12 | 11 | 10 | | 8 | | | | | | 3 | 2 | |
| SALEABLE | NOT APPLICABLE | 34576-7153 | 9 | G | BLUE | 56 | | 54 | 53 | 52 | | | 49 | | 47 | 46 | 45 | | 43 | |
| | | | | | | | 41 | 40 | 39 | 38 | | | | 34 | 33 | 32 | 31 | 30 | 29 | |
| | | | | | | 28 | 27 | 26 | 25 | 24 | 23 | | | 20 | 19 | 18 | | 16 | | |
| | | | | | | | 13 | 12 | 11 | 10 | 9 | 8 | | | | | | 3 | 2 | |



MX123 18/28/42/49/56-WAY RECEPTACLE ASSY SEALED PIN OUT SHEET

| STATUS | GM PART # | HRNS CONN ASSY | | | TPA GROMMET CAP | | | | | | | | | | | | | | | | | | |
|----------|----------------|----------------|-------------------|------------------|--------------------|---|----|----|----|----|----|----|----|----|----|----|----|----|----|----|----|--|--|
| | | MATERIAL/PART | WIRE DRESS OPTION | KEY OPTION Fp | COLOR OPTION Fp | NUMBERS INDICATE CAVITIES OPEN FOR CIRCUITS Fp | | | | | | | | | | | | | | | | | |
| | | NUMBER | | | | | | | | | | | | | | | | | | | | | |
| SALEABLE | NOT APPLICABLE | 34576-7163 | 0 | G | BLUE | | | | 53 | | | | 49 | | 47 | 46 | 45 | 44 | | | | | |
| | | | | | | | | 40 | | | 37 | 36 | 35 | | 33 | | | | | | | | |
| | | | | | | | | 26 | | | | | | 20 | 19 | 18 | | | | | | | |
| SALEABLE | NOT APPLICABLE | 34576-7173 | 9 | G | BLUE | | 55 | | | 52 | 51 | | | 48 | | 46 | 45 | | 43 | | | | |
| | | | | | | | 41 | 40 | | 38 | | | | | 33 | 32 | 31 | 30 | 29 | | | | |
| | | | | | | 28 | | 26 | | 24 | | | | 20 | 19 | 18 | | | 16 | 15 | | | |
| SALEABLE | NOT APPLICABLE | 34576-7183 | 0 | G | BLUE | | 13 | 12 | | 10 | | | | | | | 3 | 2 | 1 | | | | |
| | | | | | | 56 | 55 | | 53 | | | 49 | 48 | 47 | 46 | | 44 | | | | | | |
| | | | | | | | | 40 | 39 | | 37 | 36 | 35 | 34 | 33 | 32 | 31 | 30 | | | | | |
| SALEABLE | NOT APPLICABLE | 34576-7193 | 9 | G | BLUE | | | | 25 | 24 | | 22 | 21 | 20 | 19 | 18 | | 16 | | | | | |
| | | | | | | | 13 | 12 | | | 9 | | 7 | | | 4 | | 2 | 1 | | | | |
| | | | | | | 56 | 55 | 54 | 53 | 52 | | | | | 47 | 46 | 45 | | 43 | | | | |
| SALEABLE | NOT APPLICABLE | 34576-7203 | 0 | G | BLUE | | | 41 | 40 | | 38 | | | 34 | 33 | 32 | 31 | 30 | 29 | | | | |
| | | | | | | 28 | 27 | 26 | | 24 | | | | 20 | 19 | 18 | | 16 | | | | | |
| | | | | | | | 13 | 12 | | 10 | | | | | | | | 3 | 2 | | | | |
| SALEABLE | NOT APPLICABLE | 34576-7213 | 0 | G | BLUE | | 56 | 55 | 54 | 53 | 52 | 51 | | | 47 | 46 | 45 | | 43 | | | | |
| | | | | | | | 41 | 40 | | 38 | | | | 34 | 33 | 32 | 31 | 30 | 29 | | | | |
| | | | | | | 28 | 27 | 26 | 25 | 24 | | | | 20 | 19 | 18 | | 16 | | | | | |
| SALEABLE | NOT APPLICABLE | 34576-7223 | 0 | G | BLUE | | | 13 | 12 | 11 | 10 | | 8 | | | | 3 | 2 | | | | | |
| | | | | | | 56 | 55 | | | 52 | 51 | 50 | 49 | 48 | 47 | 46 | 45 | | 43 | | | | |
| | | | | | | 42 | 41 | | | | | | 35 | 34 | 33 | | 31 | | 29 | | | | |
| SALEABLE | NOT APPLICABLE | 34576-7233 | 0 | G | BLUE | | 28 | 27 | 26 | | | | | 21 | 20 | 19 | 18 | | 16 | 15 | | | |
| | | | | | | | 14 | 13 | 12 | | | | | | | | 4 | 3 | 2 | 1 | | | |
| | | | | | | | | | 54 | 53 | | | | | | | 47 | 46 | 45 | | 43 | | |
| SALEABLE | NOT APPLICABLE | 34576-7243 | 0 | G | BLUE | | | 41 | 40 | 39 | 38 | | | | 34 | 33 | | 31 | 30 | 29 | | | |
| | | | | | | | | | | | | | | | | | | | | | | | |
| | | | | | | 28 | 27 | 26 | 25 | 24 | | | | 21 | 20 | 19 | 18 | | 16 | | | | |
| SALEABLE | NOT APPLICABLE | 34576-7233 | 0 | G | BLUE | | | | | | | | | | | 46 | 45 | | | | | | |
| | | | | | | | | | | | | | | | | | | | | | | | |
| | | | | | | | | | | | | | | 21 | | | 33 | 18 | 17 | | | | |
| SALEABLE | NOT APPLICABLE | 34576-7243 | 0 | G | BLUE | | | | | | | | | | | | 3 | | | | | | |
| | | | | | | | | | | | | | | | | | | | | | | | |
| | | | | | | | | | 54 | 53 | | | | | | | 47 | | 45 | | 43 | | |
| SALEABLE | NOT APPLICABLE | 34576-7243 | 0 | G | BLUE | | | 41 | 40 | 39 | 38 | | | | 34 | 33 | | 31 | 30 | 29 | | | |
| | | | | | | | | | | | | | | | | | | | | | | | |
| | | | | | | 28 | 27 | 26 | 25 | 24 | | | | 20 | 19 | 18 | | 16 | | | | | |
| SALEABLE | NOT APPLICABLE | 34576-7243 | 0 | G | BLUE | | | | | | | | | | | | | 3 | 2 | | | | |
| | | | | | | | | | | | | | | | | | | | | | | | |
| | | | | | | | | | 13 | 12 | 11 | 10 | | | | | | | | | | | |



MX123 18/28/42/49/56-WAY RECEPTACLE ASSY SEALED PIN OUT SHEET

| STATUS | GM PART # | HRNS CONN ASSY | | | TPA GROMMET CAP | | | | | | | | | | | | | | | | | | | | | | | |
|----------|----------------|----------------|-------------------|-----------------------|-------------------------|--|----|----|----|----|----|----|--|----|----|----|----|----|----|----|----|----|----|----|---|----|----|----|
| | | MATERIAL/PART | WIRE DRESS OPTION | KEY OPTION ▽ Fp | COLOR OPTION ▽ Fp | NUMBERS INDICATE CAVITIES OPEN FOR CIRCUITS ▽ Fp | | | | | | | | | | | | | | | | | | | | | | |
| | | NUMBER | | | | 56 | 55 | 54 | 53 | 52 | 51 | 50 | | | | | 45 | | | | | | | | | | | |
| SALEABLE | NOT APPLICABLE | 34576-7323 | 0 | G | BLUE | 42 | 41 | 40 | 39 | | | | | | | 35 | 34 | 33 | | | | | | | | | | |
| | | | | | | 28 | 27 | | | | | | | 23 | | | | | | | 18 | | | | | 16 | | |
| | | | | | | 14 | 13 | | | | | | | | 9 | | | | | | | | | | | 3 | 2 | |
| | | | | | | 56 | 55 | 54 | 53 | 52 | 51 | 50 | | | | | | | | | | | | | | 45 | | |
| SALEABLE | NOT APPLICABLE | 34576-7333 | 0 | G | BLUE | 42 | 41 | 40 | 39 | | | | | | | 35 | 34 | 33 | | | | | | | | | | |
| | | | | | | 28 | 27 | | | | | | | | | | | | | | 18 | 17 | 16 | | | | | |
| | | | | | | 14 | 13 | | | | | | | | | | | | | | | | | | | 3 | 2 | |
| | | | | | | 56 | 55 | 54 | 53 | 52 | 51 | 50 | | | | | | | | | | | | | | 45 | | |
| SALEABLE | NOT APPLICABLE | 34576-7343 | 0 | G | BLUE | 42 | 41 | | | | | | | | | | 33 | | | | | | 46 | 45 | | | | |
| | | | | | | 28 | 27 | | | | | | | | | | 21 | | | | 18 | 17 | 16 | | | | | |
| | | | | | | 14 | 13 | | | | | | | | | | | | | | | | | | | 3 | | |
| | | | | | | 56 | 55 | | | 52 | 51 | 50 | | | | | | | | | | | | | | 46 | 45 | |
| SALEABLE | NOT APPLICABLE | 34576-7353 | 0 | G | BLUE | | | | | 53 | 52 | | | 50 | | | | | 47 | 46 | 45 | | | 43 | | | | |
| | | | | | | | | 40 | | | 38 | | | | | | | 34 | 33 | 32 | 31 | 30 | 29 | | | | | |
| | | | | | | 28 | 27 | 26 | 25 | 24 | | | | | | | | 20 | 19 | 18 | | | | | | 16 | | |
| | | | | | | | 13 | 12 | 11 | 10 | | | | | | 8 | | | | | | | | | | 3 | 2 | |
| SALEABLE | NOT APPLICABLE | 34851-0029 | 9 | G | BLUE | 18 | | | | | | | | | | | 14 | | | | | | | | | | | |
| | | | | | | | | | | | | | | | | 11 | 10 | 1 | | | | | | | | | | |
| | | | | | | | | | | | | | | | | 8 | 7 | | | | | | | | | | | |
| | | | | | | | | | | | | | | | | 4 | 3 | 2 | | | | | | | | | | |
| SALEABLE | NOT APPLICABLE | 34576-7363 | 0 | H | ST. GRAY | | | | | | | | | 51 | 50 | | | 48 | 47 | 46 | 45 | | | | | | | |
| | | | | | | | | | | | | | | | | | | | 34 | 33 | 32 | 31 | | | | 29 | | |
| | | | | | | | | | | | | | | | | | | | | | | 21 | 20 | | | | | |
| | | | | | | | | | | | | | | | | 9 | 8 | 7 | 6 | | | | 4 | 3 | 2 | 1 | | |
| SALEABLE | NOT APPLICABLE | 34576-7373 | 9 | G | BLUE | | | | | | 52 | | | | | | | 48 | 47 | | | | | 43 | | | | |
| | | | | | | | | 40 | | | | | | 37 | 36 | | | | 34 | | | | | | | 30 | | |
| | | | | | | | | | | | 24 | | | | | | | | | 20 | | | | | | | | 15 |
| | | | | | | 14 | | | | | | | | | | | | | | | 7 | | | | | | | |
| SALEABLE | NOT APPLICABLE | 34851-0030 | 0 | H | ST. GRAY | 18 | | | | | | | | | | 17 | 16 | 15 | 14 | 1 | | | | | | | | |
| | | | | | | | | | | | | | | | | | | | | | | 10 | | | | | | |
| | | | | | | | | | | | | | | | | | | | | | | | 6 | | | | | |
| | | | | | | | | | | | | | | | | | | | | | | | 4 | 3 | 2 | | | |
| SALEABLE | NOT APPLICABLE | 34576-9113 | 0 | A | BLACK | 49 | | | | | | | | | | | | | | | | | | | | | | |
| | | | | | | | | | | | | | | | | | | | | | | | | | | | | |



MX123 18/28/42/49/56-WAY RECEPTACLE ASSY SEALED PIN OUT SHEET

| STATUS | GM PART # | HRNS CONN ASSY | | | TPA GROMMET CAP | | | | | | | | | | | | | | | |
|----------|----------------|----------------|-------------------|-----------------------|-------------------------|--|----|----|----|----|----|----|----|----|----|----|----|----|----|----|
| | | MATERIAL/PART | WIRE DRESS OPTION | KEY OPTION ▽ Fp | COLOR OPTION ▽ Fp | NUMBERS INDICATE CAVITIES OPEN FOR CIRCUITS ▽ Fp | | | | | | | | | | | | | | |
| | | NUMBER | | | | | | | | | | | | | | | | | | |
| SALEABLE | NOT APPLICABLE | 34576-9123 | 0 | C | BLUE | | | | | | | | | | | | | | | |
| | | | | | | 49 | | | | | | | | | | | | | | |
| SALEABLE | NOT APPLICABLE | 34576-7383 | 9 | G | BLUE | 56 | 55 | 54 | 53 | | | | 49 | 48 | 47 | | 45 | 44 | | |
| | | | | | | | | 40 | 39 | | | 37 | 36 | 35 | 34 | 33 | | | 29 | |
| | | | | | | | | | 25 | | | | | 20 | 19 | 18 | | 16 | 15 | |
| | | | | | | | 13 | 12 | | | | 9 | | 7 | 6 | | | | 1 | |
| SALEABLE | NOT APPLICABLE | 34576-7393 | 0 | G | BLUE | 56 | 55 | | | 52 | 51 | 50 | | | | | 46 | 45 | 44 | |
| | | | | | | 42 | 41 | | | | | | | | | | | | | |
| | | | | | | | | | | | | | 21 | | 19 | 18 | | | 15 | |
| | | | | | | 14 | 13 | | | | | 8 | | | | | 3 | | | |
| SALEABLE | NOT APPLICABLE | 34576-7403 | 0 | G | BLUE | 56 | 55 | | | 52 | 51 | 50 | | | | | 45 | | | |
| | | | | | | 42 | 41 | | | | | | | | | | | | | |
| | | | | | | 28 | 27 | | | | | 22 | | | | 18 | 17 | 16 | | |
| | | | | | | 14 | 13 | | | | | 8 | | | | | 3 | | | |
| SALEABLE | NOT APPLICABLE | 34576-7413 | 0 | G | BLUE | | | 54 | 53 | | | | 49 | 48 | 47 | 46 | | 44 | 43 | |
| | | | | | | | | 40 | 39 | 38 | 37 | 36 | | | | 32 | 31 | 30 | 29 | |
| | | | | | | | | 26 | 25 | 24 | 23 | | 21 | 20 | 19 | | 17 | | 15 | |
| | | | | | | | | 12 | 11 | 10 | 9 | | 7 | 6 | 5 | 4 | | 2 | 1 | |
| SALEABLE | NOT APPLICABLE | 34576-7423 | 0 | G | BLUE | | | 54 | 53 | | | | 49 | 48 | 47 | 46 | | 44 | 43 | |
| | | | | | | | | 40 | 39 | 38 | 37 | 36 | 35 | 34 | 33 | 32 | 31 | 30 | 29 | |
| | | | | | | | | 26 | 25 | 24 | 23 | | 21 | 20 | 19 | | 17 | | 15 | |
| | | | | | | | | 12 | 11 | 10 | 9 | | 7 | 6 | 5 | 4 | | 2 | 1 | |
| SALEABLE | NOT APPLICABLE | 34576-7433 | 0 | G | BLUE | | | 54 | 53 | | | | 49 | 48 | 47 | 46 | | 44 | 43 | |
| | | | | | | | | 40 | 39 | 38 | 37 | 36 | 35 | 34 | 33 | 32 | 31 | 30 | 29 | |
| | | | | | | | | 26 | 25 | 24 | 23 | | 21 | 20 | 19 | | | | 15 | |
| | | | | | | | | 12 | 11 | 10 | 9 | | 7 | 6 | 5 | 4 | | 2 | 1 | |
| SALEABLE | NOT APPLICABLE | 34576-7443 | 0 | G | BLUE | | | 54 | 53 | | | | 49 | 48 | 47 | | 32 | 31 | 30 | 29 |
| | | | | | | | | 40 | 39 | 38 | 37 | 36 | | | | | | | | |
| | | | | | | | | 26 | 25 | 24 | 23 | | | 20 | | | 17 | | 15 | |
| | | | | | | | | 12 | 11 | 10 | 9 | | 7 | 6 | 5 | 4 | | 2 | 1 | |
| SALEABLE | NOT APPLICABLE | 34576-7453 | 9 | G | BLUE | | | | | 52 | | | | 48 | 47 | | 45 | | 43 | |
| | | | | | | | | 40 | | | 37 | 36 | | 34 | | | | 30 | | |
| | | | | | | | | | | 24 | | | | 20 | | | | | 15 | |
| | | | | | | 14 | | | | | | | 7 | | | | | | | |



MX123 18/28/42/49/56-WAY RECEPTACLE ASSY SEALED PIN OUT SHEET

| STATUS | GM PART # | HRNS CONN ASSY | | | TPA GROMMET CAP | | | | | | | | | | | | | | | | | | | |
|----------|----------------|----------------|-------------------|-----------------------|-------------------------|--|----|----|----|----|----|----|----|----|----|----|----|----|----|----|----|---|----|----|
| | | MATERIAL/PART | WIRE DRESS OPTION | KEY OPTION ▽ Fp | COLOR OPTION ▽ Fp | NUMBERS INDICATE CAVITIES OPEN FOR CIRCUITS ▽ Fp | | | | | | | | | | | | | | | | | | |
| | | NUMBER | | | | | | | | | | | | | | | | | | | | | | |
| SALEABLE | NOT APPLICABLE | 34576-7463 | 9 | G | BLUE | | | | | | | | | | | | | 33 | | 31 | | | | |
| | | | | | | | | | | | 24 | 23 | 22 | 21 | 20 | 19 | 18 | | | | 16 | | | |
| | | | | | | | | | | | 10 | 9 | 8 | 7 | 6 | | | | | | | 2 | | |
| SALEABLE | NOT APPLICABLE | 34576-7473 | 9 | G | BLUE | 56 | 55 | 54 | 53 | | | 51 | 50 | 49 | | | 46 | | | 44 | | | | |
| | | | | | | 42 | 41 | | 39 | 38 | | | | 35 | | 33 | 32 | 31 | | | | | | 29 |
| | | | | | | 28 | 27 | 26 | 25 | | | 23 | 22 | 21 | | 19 | 18 | 17 | 16 | | | | | |
| | | | | | | | 13 | 12 | 11 | 10 | 9 | 8 | | | 6 | 5 | 4 | 3 | 2 | 1 | | | | |
| SALEABLE | NOT APPLICABLE | 34576-7483 | 0 | G | BLUE | 56 | 55 | | | 52 | 51 | 50 | | | | | 45 | | | | | | | |
| | | | | | | 42 | 41 | | | | | | | 35 | 34 | 33 | | | | | | | | |
| | | | | | | 28 | 27 | | | | | | | | | | 18 | | | 16 | | | | |
| | | | | | | 14 | 13 | | | | | | | | | | 4 | 3 | | | | | | |
| SALEABLE | NOT APPLICABLE | 34576-7493 | 0 | G | BLUE | 56 | 55 | 54 | 53 | 52 | 51 | 50 | | | | | | 45 | | | | | | |
| | | | | | | 42 | 41 | 40 | 39 | | | | | | | | | | | | | | | |
| | | | | | | 28 | 27 | | | | | | | | | | 18 | | | 16 | | | | |
| | | | | | | 14 | 13 | | | | | | | | | | 4 | 3 | 2 | | | | | |
| SALEABLE | NOT APPLICABLE | 34576-7503 | 0 | G | BLUE | 56 | 55 | | | 52 | 51 | 50 | | | | | | 45 | | | | | | |
| | | | | | | 42 | 41 | | | | | | | | | | | | | | | | | |
| | | | | | | 28 | 27 | | | | | | | | | | 18 | | | 16 | | | | |
| | | | | | | 14 | 13 | | | | | | | | | | 4 | 3 | | | | | | |
| SALEABLE | NOT APPLICABLE | 34576-7513 | 0 | G | BLUE | 56 | 55 | 54 | 53 | 52 | 51 | 50 | 49 | 48 | 47 | 46 | 45 | 44 | 43 | | | | | |
| | | | | | | 42 | 41 | 40 | 39 | 38 | | | | 35 | 34 | 33 | 32 | 31 | 30 | 29 | | | | |
| | | | | | | 28 | 27 | 26 | 25 | | 23 | 22 | 21 | | 19 | 18 | 17 | 16 | 15 | | | | | |
| | | | | | | 14 | 13 | 12 | 11 | 10 | 9 | 8 | | 6 | 5 | 4 | 3 | 2 | 1 | | | | | |
| SALEABLE | NOT APPLICABLE | 34576-7523 | 9 | G | BLUE | | | | | | 37 | 36 | | | | | | | | | | | | |
| | | | | | | | | | | 24 | | | | | 20 | | | | | | | | | |
| | | | | | | | | | | | | | | 7 | | | | | | | | | | |
| SALEABLE | NOT APPLICABLE | 34576-7533 | 9 | G | BLUE | 56 | | 54 | 53 | 52 | | | | 49 | 48 | 47 | 46 | 45 | | | | | 43 | |
| | | | | | | | 41 | 40 | 39 | 38 | | | | | 34 | 33 | 32 | 31 | 30 | 29 | | | | |
| | | | | | | 28 | 27 | 26 | 25 | 24 | 23 | | | | 20 | 19 | 18 | | | | 16 | | | |
| | | | | | | | 13 | 12 | 11 | 10 | 9 | 8 | | | | | | | 3 | 2 | | | | |
| SALEABLE | NOT APPLICABLE | 34576-7543 | 9 | G | BLUE | 56 | | 54 | 53 | 52 | | | | | 48 | 47 | 46 | 45 | | | | | 43 | |
| | | | | | | | 41 | 40 | 39 | 38 | | | | | 34 | 33 | 32 | 31 | 30 | 29 | | | | |
| | | | | | | 28 | 27 | 26 | 25 | 24 | 23 | | | | 20 | 19 | 18 | | | | 16 | | | |
| | | | | | | | 13 | 12 | 11 | 10 | 9 | 8 | | | | | | | | 3 | 2 | | | |



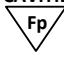


MX123 18/28/42/49/56-WAY RECEPTACLE ASSY SEALED PIN OUT SHEET

| STATUS | GM PART # | HRNS CONN ASSY | | | TPA GROMMET CAP | | | | | | | | | | | | | | | |
|----------|----------------|----------------|-------------------|------------------|--------------------|---|----|----|----|----|----|----|----|----|----|----|----|----|----|----|
| | | MATERIAL/PART | WIRE DRESS OPTION | KEY OPTION Fp | COLOR OPTION Fp | NUMBERS INDICATE CAVITIES OPEN FOR CIRCUITS Fp | | | | | | | | | | | | | | |
| | | NUMBER | | | | | | | | | | | | | | | | | | |
| SALEABLE | NOT APPLICABLE | 34576-7553 | 0 | A | BLACK | 48 | | 46 | | 44 | 43 | | | 40 | 39 | 38 | | | 35 | |
| | | | | | | 34 | 33 | 32 | 31 | | 29 | | | 26 | 25 | 24 | 23 | | | 21 |
| | | | | | | 49 | | | | | | 8 | 7 | | | | | 3 | | 1 |
| SALEABLE | NOT APPLICABLE | 34576-7563 | 0 | C | BLUE | 48 | 47 | 46 | 45 | 44 | | | 41 | 40 | 39 | 38 | 37 | 36 | | |
| | | | | | | 34 | 33 | 32 | | 30 | | | | | | 24 | 23 | | 21 | |
| | | | | | | 49 | | | | | | 18 | 17 | 16 | 15 | 14 | 13 | 12 | | |
| SALEABLE | NOT APPLICABLE | 34576-7573 | 0 | G | BLUE | | | | | 52 | 51 | 50 | | | | | 45 | 43 | | |
| | | | | | | | | | | | | 35 | 34 | 33 | 32 | | | | | |
| | | | | | | 28 | 27 | 26 | | | | | | | | 18 | | | 15 | |
| SALEABLE | NOT APPLICABLE | 34576-7583 | 0 | G | BLUE | 14 | 13 | 12 | | | | | 7 | 6 | | | 3 | 1 | | |
| | | | | | | | | | | 52 | 51 | 50 | | | | | 45 | 43 | | |
| | | | | | | | | | | | | | | | | 32 | | | 15 | |
| SALEABLE | NOT APPLICABLE | 34576-7593 | 0 | G | BLUE | 28 | 27 | 26 | | | | | | | | 18 | | 15 | | |
| | | | | | | 14 | 13 | 12 | | | | | 7 | 6 | | 4 | 3 | 1 | | |
| | | | | | | | | | | 52 | 51 | 50 | | | | | 45 | 43 | | |
| SALEABLE | NOT APPLICABLE | 34576-7603 | 0 | G | BLUE | | | | | 52 | 51 | 50 | | | | | 45 | 44 | 43 | |
| | | | | | | 42 | 41 | | | | 37 | 36 | 35 | 34 | 33 | 32 | | 30 | | |
| | | | | | | 28 | 27 | 26 | | 24 | | 22 | | 20 | 19 | | | 16 | 15 | |
| SALEABLE | NOT APPLICABLE | 34576-7613 | 9 | C | BLUE | 14 | 13 | 12 | | 10 | | 8 | 7 | 6 | | | | 1 | | |
| | | | | | | 48 | 47 | | 45 | 44 | | | 41 | 40 | 39 | 38 | 37 | 36 | | |
| | | | | | | 34 | 33 | 32 | | 30 | | | | | | 24 | 23 | | 21 | |
| SALEABLE | NOT APPLICABLE | 34576-7623 | 9 | A | BLACK | 49 | | | | | | 18 | 17 | 16 | 15 | 14 | 13 | 12 | | |
| | | | | | | 48 | | 46 | | 44 | 43 | 42 | | 40 | 39 | 38 | | | 35 | |
| | | | | | | 34 | 33 | 32 | 31 | | 29 | 28 | | 26 | 25 | 24 | 23 | | 21 | |
| SALEABLE | NOT APPLICABLE | 34576-7633 | 0 | A | BLACK | 49 | | | | | | 8 | 7 | | | | 3 | | 1 | |
| | | | | | | 48 | 47 | 46 | 45 | 44 | | | 41 | 40 | 39 | 38 | 37 | 36 | | |
| | | | | | | 34 | 33 | 32 | | 30 | | | | | | 24 | 23 | | 21 | |
| | | | | | | | | | | 18 | 17 | 16 | 15 | 14 | 13 | 12 | | | | |
| | | | | | | 10 | 9 | 8 | 7 | 6 | 5 | | 3 | 2 | | 1 | | | | |



MX123 18/28/42/49/56-WAY RECEPTACLE ASSY SEALED PIN OUT SHEET

| STATUS | GM PART # | HRNS CONN ASSY | | | TPA GROMMET CAP | | | | | | | | | | | | | | | | | |
|----------|----------------|----------------|-------------------|--|--|---|----|----|----|----|----|----|----|----|----|----|----|----|----|----|----|----|
| | | MATERIAL/PART | WIRE DRESS OPTION | KEY OPTION  | COLOR OPTION  | NUMBERS INDICATE CAVITIES OPEN FOR CIRCUITS  | | | | | | | | | | | | | | | | |
| | | NUMBER | | | | | | | | | | | | | | | | | | | | |
| SALEABLE | NOT APPLICABLE | 34576-7643 | 0 | G | BLUE | 42 | 41 | | | | | | | | | | | | | 30 | 29 | |
| | | | | | | 28 | | 26 | | | | 23 | | | 20 | | | | 17 | | | 15 |
| | | | | | | 14 | | | | | | 9 | | | | | | | | | | |
| SALEABLE | NOT APPLICABLE | 34576-7653 | 0 | C | BLUE | 48 | 47 | 46 | 45 | | | | | | | 40 | | 38 | 37 | 36 | | |
| | | | | | | 34 | | 32 | 31 | | | 29 | | | | 25 | 24 | 23 | 22 | | | |
| | | | | | | 49 | | | | 20 | 19 | 18 | 17 | 16 | | | | | 12 | | | |
| SALEABLE | NOT APPLICABLE | 34576-7663 | 9 | A | BLACK | 48 | 47 | 46 | 45 | | | | | | 40 | | 38 | 37 | 36 | | | |
| | | | | | | 34 | | 32 | 31 | | | 29 | | | | 25 | 24 | 23 | 22 | | | |
| | | | | | | 49 | | | | 20 | 19 | 18 | 17 | 16 | | | | | 12 | | | |
| SALEABLE | NOT APPLICABLE | 34576-7673 | 0 | C | BLUE | 48 | 47 | 46 | 45 | 44 | | | | 41 | 40 | 39 | 38 | 37 | 36 | | | |
| | | | | | | 34 | 33 | 32 | | 30 | | | 28 | 27 | | | 24 | 23 | | | 21 | |
| | | | | | | 49 | | | | | | 18 | 17 | | | 15 | 14 | 13 | 12 | | | |
| SALEABLE | NOT APPLICABLE | 34576-7683 | 0 | A | BLACK | 48 | | 46 | | 44 | 43 | 42 | | | 39 | 38 | | | 35 | | | |
| | | | | | | 34 | | 32 | 31 | | | 29 | 28 | | | 25 | 24 | 23 | | | 21 | |
| | | | | | | 49 | | | | 20 | 19 | | | | | | 14 | | | | | 11 |
| SALEABLE | NOT APPLICABLE | 34576-7693 | 0 | G | BLUE | | | | | 52 | 51 | 50 | | | | | 46 | 45 | | 43 | | |
| | | | | | | | | | | | | | | | | | 32 | | | | | |
| | | | | | | 28 | 27 | 26 | | | | | | | | | | 18 | | | | |
| SALEABLE | NOT APPLICABLE | 34576-7703 | 0 | G | BLUE | 14 | 13 | 12 | | | | | 7 | 6 | | | | 3 | | 1 | | |
| | | | | | | | | | | 52 | 51 | 50 | | | | | 46 | 45 | | | 43 | |
| | | | | | | | | | | | | | | 35 | 34 | 33 | 32 | | | | | |
| SALEABLE | NOT APPLICABLE | 34576-7713 | 0 | G | BLUE | 28 | 27 | 26 | | | | | | | | 18 | | | | 15 | | |
| | | | | | | 14 | 13 | 12 | | | | | 7 | 6 | | | 4 | 3 | | | 1 | |
| | | | | | | | | | | 52 | 51 | 50 | | | | 35 | 34 | 33 | 32 | | | |
| SALEABLE | NOT APPLICABLE | 34576-7723 | 9 | C | BLUE | 48 | 47 | 46 | 45 | 44 | | | | 41 | 40 | 39 | 38 | 37 | 36 | | | |
| | | | | | | 34 | 33 | 32 | | 30 | | | | | | 24 | 23 | | | 21 | | |
| | | | | | | 49 | | | | | | 18 | 17 | 16 | 15 | 14 | 13 | 12 | | | | |
| | | | | | | 10 | 9 | 8 | 7 | 6 | 5 | 4 | 3 | 2 | 1 | | | | | | | |



MX123 18/28/42/49/56-WAY RECEPTACLE ASSY SEALED PIN OUT SHEET

| STATUS | GM PART # | HRNS CONN ASSY | | | TPA GROMMET CAP | | | | | | | | | | | | | | | | | |
|----------|----------------|----------------|-------------------|-----------------------|-------------------------|--|----|----|----|----|----|----|----|----|----|----|----|----|----|----|----|----|
| | | MATERIAL/PART | WIRE DRESS OPTION | KEY OPTION ▽ Fp | COLOR OPTION ▽ Fp | NUMBERS INDICATE CAVITIES OPEN FOR CIRCUITS ▽ Fp | | | | | | | | | | | | | | | | |
| | | NUMBER | | | | | | | | | | | | | | | | | | | | |
| SALEABLE | NOT APPLICABLE | 34576-7733 | 0 | A | BLACK | | | | | 44 | 43 | 42 | 41 | | 39 | | | | | 35 | | |
| | | | | | | | 33 | | | 30 | | 28 | 27 | 26 | | 15 | 14 | 13 | | | 21 | |
| | | | | | | 49 | | | | | | 18 | | | | 8 | 7 | 6 | | 4 | 3 | |
| SALEABLE | NOT APPLICABLE | 34576-7743 | 0 | C | BLUE | | | | | | 43 | | | | | | | | | | | |
| | | | | | | | | | 31 | | 29 | | | 26 | 25 | | | | | 22 | | |
| | | | | | | 49 | | | | 20 | 19 | | | | | | | | | | | 11 |
| SALEABLE | NOT APPLICABLE | 34576-7753 | 0 | G | BLUE | | | | | 52 | 51 | 50 | | | | | 4 | | 2 | | | |
| | | | | | | | | | | | | | | | | | 33 | | | | | |
| | | | | | | 28 | 27 | | | | | | | 21 | | | | 18 | 17 | | | |
| SALEABLE | NOT APPLICABLE | 34576-7763 | 9 | A | BLACK | | | | | | | | | | | | | | | | | |
| | | | | | | | | | | 44 | 43 | 42 | 41 | | 39 | | | | | | | 35 |
| | | | | | | | 33 | | | 30 | | 28 | 27 | 26 | | | | | | | | |
| SALEABLE | NOT APPLICABLE | 34576-7773 | 9 | A | BLACK | | | | | | | | | | | | | | | | | |
| | | | | | | | | | | | | | | | | | | | | | | |
| | | | | | | | | | | | | | | | | | | | | | | |
| SALEABLE | NOT APPLICABLE | 34576-7773 | 9 | A | BLACK | 48 | 47 | 46 | 45 | 44 | 43 | | | 40 | | 38 | 37 | 36 | | | | |
| | | | | | | 34 | | 32 | 31 | | 29 | 28 | 27 | | 25 | 24 | 23 | 22 | | | | |
| | | | | | | 49 | | | | 20 | 19 | | | 16 | 15 | | | | | | | 12 |
| SALEABLE | NOT APPLICABLE | 34851-0031 | 9 | H | ST. GRAY | | | | | | | | | | | | | | | | | |
| | | | | | | | | | | | | | | | | | | | | | | |
| | | | | | | | | | | | | | | | | | | | | | | |
| SALEABLE | NOT APPLICABLE | 34576-7783 | 9 | C | BLUE | | | | | | | | | | | | | | | | | |
| | | | | | | | | | | | | | | | | | | | | | | |
| | | | | | | | | | | | | | | | | | | | | | | |
| SALEABLE | NOT APPLICABLE | 34576-7793 | 9 | A | BLACK | 48 | 47 | 46 | 45 | | | | | | | | | | | | | |
| | | | | | | 34 | | 32 | 31 | | | | | | | | | | | | | |
| | | | | | | 49 | | | | 20 | 19 | 18 | 17 | 16 | 15 | | | | | | | 12 |
| SALEABLE | NOT APPLICABLE | 34576-7803 | 0 | G | BLUE | | | 54 | 53 | | | | | 49 | 48 | 47 | | | 44 | 43 | | |
| | | | | | | | | 40 | 39 | 38 | 37 | 36 | 35 | 34 | | 32 | 31 | 30 | 29 | | | |
| | | | | | | | | 26 | 25 | 24 | 23 | 22 | | 20 | 19 | | | | | | | |
| | | 12 | 11 | 10 | 9 | 8 | 7 | 6 | 5 | 4 | | | | | | | 2 | 1 | | | | |



MX123 18/28/42/49/56-WAY RECEPTACLE ASSY SEALED PIN OUT SHEET

| STATUS | GM PART # | HRNS CONN ASSY | | | TPA GROMMET CAP | | | | | | | | | | | | | | |
|----------|----------------|----------------|-------------------|------------------|--------------------|---|----|----|----|----|----|----|----|----|----|----|----|----|----|
| | | MATERIAL/PART | WIRE DRESS OPTION | KEY OPTION Fp | COLOR OPTION Fp | NUMBERS INDICATE CAVITIES OPEN FOR CIRCUITS Fp | | | | | | | | | | | | | |
| | | NUMBER | | | | | | | | | | | | | | | | | |
| SALEABLE | NOT APPLICABLE | 34576-7813 | 9 | C | BLUE | 48 | 47 | 46 | 45 | 44 | | | 41 | 40 | 39 | 38 | 37 | 36 | |
| | | | | | | 34 | 33 | 32 | | 30 | | | 27 | | | 24 | 23 | | 21 |
| | | | | | | 49 | | | | | | 18 | 17 | | 15 | 14 | 13 | 12 | |
| SALEABLE | NOT APPLICABLE | 34576-7823 | 0 | A | BLACK | 48 | 47 | 46 | 45 | | | | | 40 | | 38 | 37 | 36 | |
| | | | | | | 34 | | 32 | 31 | | 29 | | | | 25 | 24 | 23 | 22 | |
| | | | | | | 49 | | | | 20 | 19 | | 17 | 16 | | | | 12 | |
| SALEABLE | NOT APPLICABLE | 34576-7833 | 0 | C | BLUE | 48 | 47 | | 45 | 44 | | | 41 | 40 | 39 | 38 | 37 | 36 | 35 |
| | | | | | | 34 | | 32 | | 30 | | 28 | | | | 24 | | 21 | |
| | | | | | | 49 | | | | | | 18 | 17 | | 15 | 14 | 13 | 12 | 11 |
| SALEABLE | NOT APPLICABLE | 34576-7843 | 9 | A | BLACK | 48 | 47 | 46 | 45 | 44 | 43 | | | 40 | | 38 | 37 | 36 | |
| | | | | | | 34 | | 32 | 31 | | | 28 | 27 | | 25 | 24 | 23 | 22 | |
| | | | | | | 49 | | | | 20 | 19 | 18 | 17 | 16 | 15 | | | 12 | |
| SALEABLE | NOT APPLICABLE | 34576-7853 | 0 | C | BLUE | 48 | 47 | 46 | 45 | 44 | | 42 | 41 | 40 | 39 | 38 | 37 | 36 | 35 |
| | | | | | | 34 | 33 | 32 | | 30 | 29 | 28 | 27 | | | 24 | 23 | | 21 |
| | | | | | | 49 | | | | 20 | | 18 | 17 | 16 | 15 | 14 | 13 | 12 | |
| SALEABLE | NOT APPLICABLE | 34576-7863 | 9 | A | BLACK | 48 | | 46 | | | 43 | | | | 39 | 38 | | 36 | 35 |
| | | | | | | 34 | 33 | | 31 | | 29 | | 27 | | 25 | 24 | 23 | | 21 |
| | | | | | | 49 | | | | 20 | 19 | | | | | | | | 11 |
| SALEABLE | NOT APPLICABLE | 34576-7873 | 9 | C | BLUE | 48 | 47 | 46 | 45 | 44 | 43 | | 41 | 40 | 39 | 38 | 37 | 36 | |
| | | | | | | 34 | 33 | 32 | | 30 | | | 27 | | | 24 | 23 | | 21 |
| | | | | | | 49 | | | | | | 18 | 17 | | 15 | 14 | 13 | 12 | |
| SALEABLE | NOT APPLICABLE | 34576-7883 | 9 | A | BLACK | 48 | 47 | 46 | 45 | 44 | 43 | | | 40 | | | 37 | 36 | |
| | | | | | | 34 | | 32 | 31 | | 29 | | 27 | | 25 | 24 | 23 | 22 | |
| | | | | | | 49 | | | | 20 | 19 | 18 | | 16 | | | | 12 | |
| SALEABLE | NOT APPLICABLE | 34576-7893 | 9 | A | BLACK | 48 | 47 | 46 | 45 | | | | | 40 | | 38 | 37 | 36 | |
| | | | | | | 34 | | 32 | 31 | | 29 | | | | 25 | 24 | 23 | 22 | |
| | | | | | | 49 | | | | 20 | 19 | | 17 | 16 | | | | | 2 |



MX123 18/28/42/49/56-WAY RECEPTACLE ASSY SEALED PIN OUT SHEET

| STATUS | GM PART # | HRNS CONN ASSY | | | TPA GROMMET CAP | | | | | | | | | | | | | | | | |
|----------|----------------|----------------|-------------------|------------------|--------------------|---|----|----|----|----|----|----|----|----|----|----|----|----|----|----|---|
| | | MATERIAL/PART | WIRE DRESS OPTION | KEY OPTION Fp | COLOR OPTION Fp | NUMBERS INDICATE CAVITIES OPEN FOR CIRCUITS Fp | | | | | | | | | | | | | | | |
| | | NUMBER | | | | | | | | | | | | | | | | | | | |
| SALEABLE | NOT APPLICABLE | 34576-7903 | 0 | A | BLACK | 48 | 47 | 46 | 45 | | | | | 40 | | 38 | 37 | 36 | | | |
| | | | | | | 34 | | 32 | 31 | | 29 | | | 25 | 24 | 23 | 22 | | | | |
| | | | | | | 49 | | | | 20 | 19 | | 17 | 16 | | | | 12 | | | |
| | | | | | | 10 | 9 | | | | | 5 | | | 2 | 1 | | | | | |
| SALEABLE | NOT APPLICABLE | 34576-7913 | 9 | A | BLACK | 48 | | 46 | | | 43 | | | | 39 | 38 | | 36 | 35 | | |
| | | | | | | 34 | 33 | 32 | 31 | | 29 | | 27 | | 25 | 24 | 23 | 22 | 21 | | |
| | | | | | | 49 | | | | 20 | 19 | | | | | | | | | 11 | |
| | | | | | | 10 | 9 | | 7 | 6 | | | | | | | 1 | | | | |
| SALEABLE | NOT APPLICABLE | 34576-7923 | 0 | A | BLACK | 48 | 47 | 46 | 45 | 44 | 43 | | | 40 | | 38 | 37 | 36 | | | |
| | | | | | | 34 | | 32 | 31 | | 29 | 28 | 27 | | 25 | 24 | 23 | 22 | | | |
| | | | | | | 49 | | | | 20 | 19 | 18 | 17 | 16 | 15 | | | | 12 | | |
| | | | | | | 10 | 9 | | | 6 | 5 | | | | 2 | 1 | | | | | |
| SALEABLE | NOT APPLICABLE | 34576-7933 | 0 | C | BLUE | | | | | | | | | | | | | | | | |
| | | | | | | 49 | | | | 20 | | 18 | 17 | 16 | | 14 | 13 | 12 | | | |
| | | | | | | | | | | | | | 9 | 8 | 7 | 6 | | | 3 | | 1 |
| SALEABLE | NOT APPLICABLE | 34576-7943 | 0 | A | BLACK | 48 | 47 | 46 | 45 | | | | | | | 38 | 37 | 36 | | | |
| | | | | | | 34 | | 32 | 31 | | 29 | | | | 25 | 24 | 23 | 22 | | | |
| | | | | | | 49 | | | | 20 | 19 | | | 16 | 15 | | | | 12 | | |
| | | | | | | 10 | 9 | | | | 5 | | | 2 | 1 | | | | | | |
| SALEABLE | NOT APPLICABLE | 34576-7953 | 0 | G | BLUE | | | | | 52 | 51 | 50 | | | | | | | | | |
| | | | | | | | | | | | | | | | | | 33 | | | | |
| | | | | | | 28 | 27 | 26 | | | | | | 21 | | | | 18 | 17 | | |
| | | | | | | 14 | 13 | 12 | | | | | | | 3 | | | | | | |
| SALEABLE | NOT APPLICABLE | 34576-7963 | 9 | A | BLACK | 48 | | 46 | | | 43 | | | | 39 | 38 | | 36 | 35 | | |
| | | | | | | 34 | 33 | 32 | 31 | | 29 | | 27 | | 25 | 24 | 23 | | 21 | | |
| | | | | | | 49 | | | | 20 | 19 | | | | | | | | | 11 | |
| | | | | | | 10 | 9 | | 7 | 6 | | | | | | 1 | | | | | |
| SALEABLE | NOT APPLICABLE | 34576-7973 | 0 | A | BLACK | 48 | 47 | 46 | 45 | 44 | 43 | | | 40 | | 38 | 37 | 36 | | | |
| | | | | | | 34 | | 32 | 31 | | | 28 | 27 | | 25 | 24 | 23 | 22 | | | |
| | | | | | | 49 | | | | 20 | 19 | | | 16 | 15 | | | | 12 | | |
| | | | | | | 10 | 9 | | | | 5 | | | | 2 | 1 | | | | | |
| SALEABLE | NOT APPLICABLE | 34576-7983 | 9 | A | BLACK | | | | | | | | | | | 38 | | | | | |
| | | | | | | | 33 | 32 | | | 29 | 28 | | 26 | 25 | | 23 | | | | |
| | | | | | | 49 | | | | 20 | | 18 | | 16 | 15 | | | | | | |
| | | | | | | 10 | | 8 | 7 | 6 | 5 | | | | | | | | | | |



MX123 18/28/42/49/56-WAY RECEPTACLE ASSY SEALED PIN OUT SHEET

| STATUS | GM PART # | HRNS CONN ASSY | | | TPA GROMMET CAP | | | | | | | | | | | | | | | |
|----------|----------------|----------------|-------------------|-----------------------|-------------------------|--|----|----|----|----|----|----|----|----|----|----|----|----|----|---|
| | | MATERIAL/PART | WIRE DRESS OPTION | KEY OPTION ▽ Fp | COLOR OPTION ▽ Fp | NUMBERS INDICATE CAVITIES OPEN FOR CIRCUITS ▽ Fp | | | | | | | | | | | | | | |
| | | NUMBER | | | | | | | | | | | | | | | | | | |
| SALEABLE | NOT APPLICABLE | 34576-7993 | 9 | C | BLUE | | 47 | | 45 | 44 | | 42 | | 40 | 39 | 38 | 37 | 36 | | |
| | | | | | | 34 | | 32 | | 30 | | 28 | | | 24 | 23 | | 21 | | |
| | | | | | | 49 | | | | | 9 | 18 | 17 | | 15 | 14 | 13 | 12 | 11 | |
| SALEABLE | NOT APPLICABLE | 34576-8003 | 0 | A | BLACK | 48 | 47 | 46 | 45 | 44 | 43 | | | 40 | | 38 | 37 | 36 | | |
| | | | | | | 34 | | 32 | 31 | | 29 | 28 | 27 | | 25 | 24 | 23 | 22 | | |
| | | | | | | 49 | | | | 20 | 19 | | | 16 | | | | 12 | | |
| SALEABLE | NOT APPLICABLE | 34576-8013 | 0 | H | ST GRAY | | | 54 | 53 | 52 | 51 | | | | | 46 | 45 | 44 | 43 | |
| | | | | | | | | 40 | 39 | 38 | 37 | 36 | 35 | 34 | 33 | | | | | |
| | | | | | | | | 26 | 25 | | | | | | | | | | | |
| SALEABLE | NOT APPLICABLE | 34576-8023 | 9 | A | BLACK | 14 | 13 | 12 | 11 | | | 8 | 7 | 6 | 5 | | | 2 | 1 | |
| | | | | | | 48 | 47 | 46 | 45 | | | | | 40 | | | 37 | 36 | | |
| | | | | | | 34 | | 32 | 31 | | 29 | | | | 25 | 24 | 23 | 22 | | |
| SALEABLE | NOT APPLICABLE | 34576-8033 | 9 | A | BLACK | 49 | | | | 20 | 19 | 18 | | 16 | | | | 12 | | |
| | | | | | | | | | | 10 | 9 | | | | 5 | | | 2 | 1 | |
| | | | | | | | | | | | | | | | | | | | | |
| SALEABLE | NOT APPLICABLE | 34576-8043 | 9 | C | BLUE | | 33 | 32 | | | 29 | 28 | | 26 | 25 | | 38 | | 23 | |
| | | | | | | 49 | | | | 20 | | 18 | 17 | 16 | 15 | | | | | |
| | | | | | | | | | | 10 | | 8 | 7 | 6 | 5 | 4 | | | 2 | |
| SALEABLE | NOT APPLICABLE | 34576-8053 | 0 | A | BLACK | 48 | 47 | 46 | 45 | 44 | 43 | | | 40 | | 38 | 37 | 36 | | |
| | | | | | | 34 | | 32 | 31 | | 29 | 28 | 27 | | 25 | 24 | 23 | 22 | | |
| | | | | | | 49 | | | | 20 | 19 | | | 16 | | | | 12 | | |
| SALEABLE | NOT APPLICABLE | 34576-8063 | 9 | A | BLACK | | | | | | | | | | | | | | | |
| | | | | | | 48 | 47 | 46 | 45 | 44 | 43 | | | 40 | | | 37 | 36 | | |
| | | | | | | 34 | | 32 | 31 | | 29 | 28 | 27 | | 25 | 24 | 23 | 22 | | |
| SALEABLE | NOT APPLICABLE | 34576-8073 | 0 | C | BLUE | 49 | | | | 20 | 19 | 18 | | 16 | 15 | | | 12 | | |
| | | | | | | | | | | 10 | 9 | | | | 5 | | | 3 | 2 | 1 |
| | | | | | | | | | | | | | | | | | | | | |
| SALEABLE | NOT APPLICABLE | 34576-8073 | 0 | C | BLUE | 48 | 47 | 46 | 45 | 44 | | | 41 | 40 | 39 | 38 | 37 | 36 | | |
| | | | | | | 34 | 33 | 32 | | 30 | | 28 | | | | 24 | 23 | 22 | 21 | |
| | | | | | | 49 | | | | 20 | | 18 | 17 | 16 | | 14 | 13 | 12 | | |
| | | | | | | | | | | 9 | 8 | 7 | 6 | | | 3 | | 1 | | |



MX123 18/28/42/49/56-WAY RECEPTACLE ASSY SEALED PIN OUT SHEET

| STATUS | GM PART # | HRNS CONN ASSY | | | TPA GROMMET CAP | | | | | | | | | | | | | | | | |
|----------|----------------|----------------|-------------------|------------------|--------------------|---|----|----|----|----|----|----|----|----|----|----|----|----|----|---|---|
| | | MATERIAL/PART | WIRE DRESS OPTION | KEY OPTION Fp | COLOR OPTION Fp | NUMBERS INDICATE CAVITIES OPEN FOR CIRCUITS Fp | | | | | | | | | | | | | | | |
| | | NUMBER | | | | | | | | | | | | | | | | | | | |
| SALEABLE | NOT APPLICABLE | 34576-8083 | 0 | H | ST GRV | 56 | 55 | 54 | 53 | 52 | 51 | | | | | 46 | 45 | 44 | 43 | | |
| | | | | | | 42 | 41 | 40 | 39 | 38 | 37 | 36 | 35 | 34 | 33 | | | | | | |
| | | | | | | 28 | 27 | 26 | 25 | 24 | 23 | 22 | 21 | 20 | 19 | | | | | | |
| | | | | | | 14 | 13 | 12 | 11 | | | 8 | 7 | 6 | 5 | | | | | 2 | 1 |
| SALEABLE | NOT APPLICABLE | 34576-8093 | 0 | H | ST GRV | | | 54 | 53 | 52 | 51 | | | | | 46 | 45 | 44 | 43 | | |
| | | | | | | | | 40 | 39 | 38 | 37 | 36 | 35 | 34 | 33 | | | | | | |
| | | | | | | 28 | 27 | 26 | 25 | 24 | 23 | | | | | | | | | | |
| | | | | | | 14 | 13 | 12 | 11 | | | 8 | 7 | 6 | 5 | | | | | 2 | 1 |
| SALEABLE | NOT APPLICABLE | 34576-8103 | 0 | H | ST GRV | | | 54 | 53 | 52 | 51 | | | | | | | | | | |
| | | | | | | | | 40 | 39 | 38 | 37 | 36 | 35 | 34 | 33 | | | | | | |
| | | | | | | 28 | 27 | 26 | 25 | 24 | 23 | | | | | | | | | | |
| | | | | | | 14 | 13 | 12 | 11 | | | 8 | 7 | 6 | 5 | | | | | 2 | 1 |
| SALEABLE | NOT APPLICABLE | 34576-8113 | 0 | A | BLACK | 48 | 47 | 46 | 45 | 44 | 43 | | | 40 | | 38 | 37 | 36 | | | |
| | | | | | | 34 | | 32 | 31 | | 29 | 28 | 27 | | 25 | 24 | 23 | 22 | | | |
| | | | | | | 49 | | | | 20 | 19 | 18 | 17 | 16 | 15 | | | 12 | | | |
| | | | | | | | | | | 10 | 9 | | | | 5 | | | | 2 | 1 | |
| SALEABLE | NOT APPLICABLE | 34576-8123 | 0 | A | BLACK | 48 | 47 | 46 | 45 | 44 | 43 | | | 40 | | 38 | 37 | 36 | | | |
| | | | | | | 34 | | 32 | 31 | | | 28 | 27 | | 25 | 24 | 23 | 22 | | | |
| | | | | | | 49 | | | | 20 | 19 | | 17 | 16 | 15 | | | 12 | | | |
| | | | | | | | | | | 10 | 9 | | | | 5 | | | | 2 | 1 | |
| SALEABLE | NOT APPLICABLE | 34576-8133 | 0 | A | BLACK | 48 | | 46 | | 44 | 43 | 42 | | 40 | 39 | 38 | | | 35 | | |
| | | | | | | 34 | 33 | 32 | 31 | | 29 | 28 | | 26 | 25 | 24 | 23 | | 21 | | |
| | | | | | | 49 | | | | | | | | | 14 | | | | 11 | | |
| | | | | | | | | | | | | 8 | 7 | | | | | 3 | | 1 | |
| SALEABLE | NOT APPLICABLE | 34576-8143 | 0 | G | BLUE | 56 | 55 | 54 | 53 | 52 | 51 | 50 | 49 | 48 | 47 | 46 | 45 | 44 | 43 | | |
| | | | | | | | | 40 | | | | 36 | 35 | | | | 31 | | | | |
| | | | | | | | 27 | | 25 | 24 | | 22 | 21 | | 19 | 18 | | | | | |
| | | | | | | | 13 | 12 | | 10 | 9 | 8 | 7 | 6 | | | | 3 | | | |
| SALEABLE | NOT APPLICABLE | 34576-9133 | 9 | A | BLACK | 48 | 47 | 46 | 45 | 44 | 43 | | | 40 | | 38 | 37 | 36 | | | |
| | | | | | | 34 | | 32 | 31 | | 29 | 28 | 27 | | 25 | 24 | 23 | 22 | | | |
| | | | | | | 49 | | | | 20 | 19 | 18 | 17 | 16 | | | | 12 | | | |
| | | | | | | | | | | 10 | 9 | | | | 5 | | | | 2 | 1 | |
| SALEABLE | NOT APPLICABLE | 34576-9143 | 9 | C | BLUE | | 47 | | 45 | 44 | | | | 40 | 39 | 38 | 37 | 36 | | | |
| | | | | | | 34 | | 32 | | 30 | | | | 26 | 25 | 24 | 23 | | 21 | | |
| | | | | | | 49 | | | | | | 18 | 17 | | 15 | 14 | 13 | 12 | | | |
| | | | | | | | | | | 10 | 9 | | | 7 | 6 | 5 | | 3 | | | 1 |

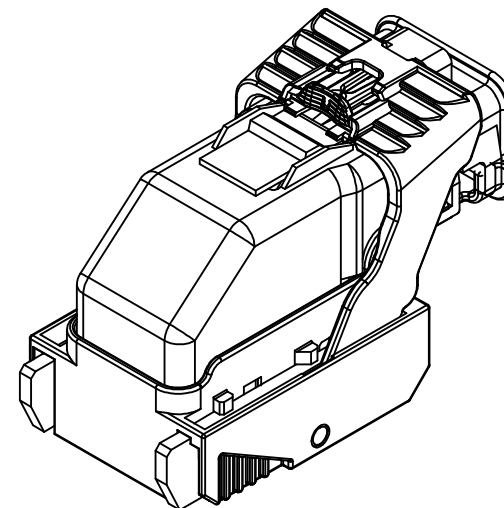


MX123 18/28/42/49/56-WAY RECEPTACLE ASSY SEALED PIN OUT SHEET

| STATUS | GM PART # | HRNS CONN ASSY | | | TPA GROMMET CAP | | | | | | | | | | | | | | | | | | |
|----------|----------------|----------------|-------------------|-----------------------|-------------------------|--|----|----|--|----|----|---|----|----|----|----|--|----|----|--|--|----|--|
| | | MATERIAL/PART | WIRE DRESS OPTION | KEY OPTION ▽ Fp | COLOR OPTION ▽ Fp | NUMBERS INDICATE CAVITIES OPEN FOR CIRCUITS ▽ Fp | | | | | | | | | | | | | | | | | |
| | | NUMBER | | | | | | | | | | | | | | | | | | | | | |
| SALEABLE | NOT APPLICABLE | 34576-9153 | 9 | A | BLACK | | | | | 44 | 43 | | 41 | | | | | 37 | 36 | | | | |
| | | | | | | 34 | 33 | 32 | | | | | | | | | | | | | | 22 | |
| | | | | | | 49 | | | | | | | 18 | 17 | 16 | 15 | | | | | | | |
| | | | | | | | | | | 8 | 7 | 6 | 5 | | | | | | | | | | |

INDEX

| | PAGE TITLE | PAGE |
|---|---|------|
| | TITLE BLOCK | 1 |
| L | PART BLOCK | 2 |
| | KPC BLOCK | 3 |
| | COMPONENT TABLE | 4 |
| K | NOTES | 5 |
| | NOTES | 6 |
| | WIRE DRESS PACKAGING DIMENSIONS | 7 |
| J | LOCATION AND PACKAGING DIMENSIONS REFERENCING INTERFACE DATUMS B & C | 8 |
| | LOCATION AND PACKAGING DIMENSIONS REFERENCING INTERFACE DATUM A | 9 |
| I | KEY ID REF - WIRE DRESS OPTION 0 | 10 |
| | KEY ID REF - WIRE DRESS OPTION 9 | 11 |
| | CIRCUIT CONFIGURATIONS | 12 |
| H | CIRCUIT CONFIGURATIONS | 13 |
| | COMPONENT CONNECTOR INTERFACE | 14 |
| | COMPONENT CONNECTOR INTERFACE | 15 |
| | COMPONENT CONNECTOR INTERFACE | 16 |
| G | COMPONENT CONNECTOR INTERFACE | 17 |
| | COMPONENT CONNECTOR INTERFACE | 18 |
| | COMPONENT CONNECTOR INTERFACE | 19 |
| F | COMPONENT CONNECTOR INTERFACE | 20 |
| | COMPONENT CONNECTOR INTERFACE | 21 |
| | ADDITIONAL COMPONENTS REQUIRED | 22 |



MX123 HARNESS CONN - SEALED
18/49/56 CKTS

| | | | | | | |
|--|-----------------|--|---|---------------|--------------|------------------------|
| ENTER DESCRIPTION IEC NO: UAU2017-0870 DRAWN IN ITALIA 2017/03/27 CHKD: APPR:VKOSHY 2017/03/29 REV: | QUALITY SYMBOLS | GENERAL TOLERANCES (UNLESS SPECIFIED) | DIMENSION STYLE | SCALE | DESIGN UNITS | THIRD ANGLE PROJECTION |
| | ▽=0 | 4 PLACES ±--- ±--- | MM ONLY | 1:1 | METRIC | |
| | ▽=0 | 3 PLACES ±--- ±--- | | | | |
| | ▽=0 | 2 PLACES ±0.13 ±--- | | | | |
| | | 1 PLACE ±0.25 ±--- | | | | |
| | | 0 PLACE ±--- ±--- | | | | |
| | | ANGULAR ± 1 ° | | | | |
| | | DRAFT WHERE APPLICABLE MUST REMAIN WITHIN DIMENSIONS | SEE BOM TABLE | | | |
| | | | MATERIAL NO. | DOCUMENT NO. | | SHEET NO. |
| | | | | SD-34576-0001 | | 1 OF 22 |
| | | | THIS DRAWING CONTAINS INFORMATION THAT IS PROPRIETARY TO MOLEX INCORPORATED AND SHOULD NOT BE USED WITHOUT WRITTEN PERMISSION | | | |

| | | | | | | | | |
|----|----|---|---|-----|--|-------|---|-------------------|
| 22 | RD | A | C | 001 | | 0.000 | YAZAKI: 7158-3114-90 | 2.8MM CAVITY PLUG |
| 21 | RD | A | | 001 | | 0.000 | PLUG-WRG HARN CONN MX0.64 | |
| 20 | RD | A | | 001 | | 0.000 | TERM-AG 0.5MM/0.75MM ISO,MX64 | |
| 19 | RD | A | | 001 | | 0.000 | TERM-AG 0.35MM ISO,MX64 | |
| 18 | RD | A | C | 006 | | 0.009 | WIRE HARNESS COVER | 18/49/56 WAY |
| 17 | RD | A | 2 | 001 | | 0.041 | HARN CONN ASM 56 CKT | KEY J OPTION 9 |
| 16 | RD | A | 2 | 001 | | 0.041 | HARN CONN ASM 56 CKT | KEY H OPTION 9 |
| 15 | RD | A | 2 | 001 | | 0.041 | HARN CONN ASM 56 CKT | KEY G OPTION 9 |
| 14 | RD | A | 2 | 001 | | 0.041 | HARN CONN ASM 56 CKT | KEY J OPTION 0 |
| 13 | RD | A | 2 | 001 | | 0.041 | HARN CONN ASM 56 CKT | KEY H OPTION 0 |
| 12 | RD | A | 2 | 001 | | 0.041 | HARN CONN ASM 56 CKT | KEY G OPTION 0 |
| 11 | RD | A | 2 | 001 | | 0.040 | HARN CONN ASM 49 CKT | KEY C OPTION 9 |
| 10 | RD | A | 2 | 001 | | 0.040 | HARN CONN ASM 49 CKT | KEY B OPTION 9 |
| 09 | RD | A | 2 | 001 | | 0.040 | HARN CONN ASM 49 CKT | KEY A OPTION 9 |
| 08 | RD | A | 2 | 001 | | 0.040 | HARN CONN ASM 49 CKT | KEY C OPTION 0 |
| 07 | RD | A | 2 | 001 | | 0.040 | HARN CONN ASM 49 CKT | KEY B OPTION 0 |
| 06 | RD | A | 2 | 001 | | 0.040 | HARN CONN ASM 49 CKT | KEY A OPTION 0 |
| 05 | RD | A | 2 | 001 | | 0.044 | HARN CONN ASM 18 CKT | KEY H OPTION 9 |
| 04 | RD | A | 2 | 001 | | 0.044 | HARN CONN ASM 18 CKT | KEY G OPTION 9 |
| 03 | RD | A | 2 | 001 | | 0.044 | HARN CONN ASM 18 CKT | KEY H OPTION 0 |
| 02 | RD | A | 2 | 001 | | 0.044 | HARN CONN ASM 18 CKT | KEY G OPTION 0 |
| 01 | RD | A | | 001 | | 1.285 | HARNNESS CONN ASM-SEALED 18/49/56CKTS,MX123 | |

| | | | | | | | | |
|------------|---------------------|-------------|----|-----|-------------|--------------|-----------|-------|
| | | | | | | | DRAWING | |
| DWG ITM | DWG RLTN SHIP | D L S | ST | REV | P D I | MASS (KG) | PART NAME | NOTES |

PARTS SHOWN ON DRAWING

| | | | | | | |
|--|-----------------|--|-----------------------------------|-------|---|------------------------|
| ENTER DESCRIPTION IEC NO: UAU2017-0870 DRAWN: ITALIA 2017/03/27 CHKD: APPR: VKOSHY 2017/03/29 REV: | QUALITY SYMBOLS | GENERAL TOLERANCES (UNLESS SPECIFIED) | DIMENSION STYLE | SCALE | DESIGN UNITS | THIRD ANGLE PROJECTION |
| | ▽=0 | mm INCH | MM ONLY | 1:1 | METRIC | |
| | ▽=0 | 4 PLACES # --- # --- | DRAWN BY SKRA JENDRANA 2016/12/15 | DATE | TITLE | |
| | ▽=0 | 3 PLACES # --- # --- | CHECKED BY VKOSHY 2016/12/15 | DATE | ICD - MX123 18/49/56CKT INTERFACE CONNECTION DRW MOLEX | |
| | ANGULAR ± 1 ° | DRAFT WHERE APPLICABLE MUST REMAIN WITHIN DIMENSIONS | APPROVED BY VKOSHY 2017/03/03 | DATE | MATERIAL NO. SEE BOM TABLE | |
| | | | | | DOCUMENT NO. SD-34576-0001 | SHEET NO. 2 OF 22 |
| | | | | | THIS DRAWING CONTAINS INFORMATION THAT IS PROPRIETARY TO MOLEX INCORPORATED AND SHOULD NOT BE USED WITHOUT WRITTEN PERMISSION | |

KEY PRODUCT CHARACTERISTICS
(IN ACCORDANCE WITH QN 1805 OR ON 1050)



SAFETY/COMPLIANCE

TOTAL ON DRAWING

4



FIT/FUNCTION

LAST NO. USED

4

| NO | TYPE | DESCRIPTION | RATIONALE | PAGE/ZONE |
|----|------|---------------------------------|------------------------------------|-----------|
| 1 | F/F | 32.68 | IMPROVE CONNECTOR SYSTEM MATING | 15 |
| 2 | F/F | 29.00 | INSURE PROPER RELEASE OF LEVER | 15 |
| 3 | F/F | 15.25 | INSURE FINAL MATE POSITION | 16 |
| 4 | F/F | POSITIONAL TOLERANCE (2 PLACES) | INSURE CONNECTOR SYSTEM MATIBILITY | 19 |

| | | | | | | |
|--|-----------------|--|---|-----------------|--------------|--------------------------|
| ENTER DESCRIPTION IEC NO: UAU2017-0870 DRAWN: CHITRALIA 2017/03/27 CHKD: APPR: VKOSHY 2017/03/29 REV: | QUALITY SYMBOLS | GENERAL TOLERANCES (UNLESS SPECIFIED) | DIMENSION STYLE | SCALE | DESIGN UNITS | THIRD ANGLE PROJECTION |
| | ▽=0 | 4 PLACES ± mm ± INCH | MM ONLY | 1:1 | METRIC | ☉ |
| | ▽=0 | 3 PLACES ± 0.13 ± --- ± --- | DRAWN BY SKRAJENDRANA | DATE 2016/12/15 | TITLE | ICD - MX123 18/49/56CKT |
| | ▽=0 | 2 PLACES ± 0.25 ± --- ± --- | CHECKED BY VKOSHY | DATE 2016/12/15 | | INTERFACE CONNECTION DRW |
| | | 1 PLACE ± --- ± --- ± --- | APPROVED BY VKOSHY | DATE 2017/03/03 | | MOLEX |
| | | 0 PLACE ± --- ± --- ± --- | MATERIAL NO. | DOCUMENT NO. | | SHEET NO. |
| | | ANGULAR ± 1 ° | SEE BOM TABLE | SD-34576-0001 | | 3 OF 22 |
| | | DRAFT WHERE APPLICABLE MUST REMAIN WITHIN DIMENSIONS | THIS DRAWING CONTAINS INFORMATION THAT IS PROPRIETARY TO MOLEX INCORPORATED AND SHOULD NOT BE USED WITHOUT WRITTEN PERMISSION | | | |

| LT | QTY | MFG. | MFG. P/N | DESCRIPTION | Key Option | Wire Dress Option | Key Config. | Color | Status |
|----|-----|--------|--------------|--|------------|-------------------|-------------|---------|-------------------|
| | 1 | MOLEX | 34575-0003 | WIRE HARNESS COVER* | N/A | NA | N/A | BLACK | AVAILABLE |
| | 2 | MOLEX | 34851-0007 | HARN CONN ASM 18 CKT | G | 0 | 1358 | BLUE | ACTIVE |
| | 3 | MOLEX | 34851-0008 | HARN CONN ASM 18 CKT | H | 0 | 2458 | ST GRAY | ACTIVE |
| | 4 | MOLEX | 34851-0019 | HARN CONN ASM 18 CKT | G | 9 | 1358 | BLUE | ACTIVE |
| | 5 | MOLEX | 34851-0020 | HARN CONN ASM 18 CKT | H | 9 | 2458 | ST GRAY | ACTIVE |
| | 6 | MOLEX | 34576-0103 | HARN CONN ASM 49 CKT | A | 0 | 1458 | BLACK | ACTIVE |
| | 7 | MOLEX | 34576-0203 | HARN CONN ASM 49 CKT | B | 0 | 1468 | ST GRAY | NOT ACTIVE |
| | 8 | MOLEX | 34576-0303 | HARN CONN ASM 49 CKT | C | 0 | 2467 | BLUE | ACTIVE |
| | 9 | MOLEX | 34576-1303 | HARN CONN ASM 49 CKT | A | 9 | 1458 | BLACK | ACTIVE |
| | 10 | MOLEX | 34576-1403 | HARN CONN ASM 49 CKT | B | 9 | 1468 | ST GRAY | NOT ACTIVE |
| | 11 | MOLEX | 34576-1503 | HARN CONN ASM 49 CKT | C | 9 | 2467 | BLUE | ACTIVE |
| | 12 | MOLEX | 34576-0703 | HARN CONN ASM 56 CKT | G | 0 | 1358 | BLUE | AVAILABLE |
| | 13 | MOLEX | 34576-0803 | HARN CONN ASM 56 CKT | H | 0 | 2458 | ST GRAY | AVAILABLE |
| | 14 | MOLEX | 34576-0903 | HARN CONN ASM 56 CKT | J | 0 | 2457 | BLACK | NOT ACTIVE |
| | 15 | MOLEX | 34576-1903 | HARN CONN ASM 56 CKT | G | 9 | 1358 | BLUE | AVAILABLE |
| | 16 | MOLEX | 34576-2003 | HARN CONN ASM 56 CKT | H | 9 | 2458 | ST GRAY | NOT ACTIVE |
| | 17 | MOLEX | 34576-2103 | HARN CONN ASM 56 CKT | J | 9 | 2457 | BLACK | NOT ACTIVE |
| | 18 | MOLEX | 34736-0028 | MX64 RCPT TERM Ag 0.5mm/0.75mm ISO GA8E B (RIGHT PAYOFF) | N/A | N/A | N/A | N/A | AVAILABLE |
| | 19 | MOLEX | 34736-0026 | MX64 RCPT TERM Ag 0.35mm ISO B (RIGHT PAYOFF) | N/A | N/A | N/A | N/A | AVAILABLE |
| | 20 | MOLEX | 34586-0001 | MX123 0.64MM GROMMET PLUG | N/A | N/A | N/A | N/A | NATURAL AVAILABLE |
| | 21 | YAZAKI | 7116-4150-02 | 2.8mm YESC SEALED FEMALE TERMINAL TIN 0.35mm2-0.50mm2 | N/A | N/A | N/A | N/A | NOT ACTIVE |
| | 22 | YAZAKI | 7116-4151-02 | 2.8mm YESC SEALED FEMALE TERMINAL TIN 0.75mm2-1.0mm2 | N/A | N/A | N/A | N/A | NOT ACTIVE |
| | 23 | YAZAKI | 7116-4152-02 | 2.8mm YESC SEALED FEMALE TERMINAL TIN 1.5mm2-2.5mm2 | N/A | N/A | N/A | N/A | AVAILABLE |
| | 24 | YAZAKI | 7158-3111-60 | 2.8mm CABLE SEAL (wire O.D. range 1.2mm-1.9mm) | N/A | N/A | N/A | GREEN | NOT ACTIVE |
| | 25 | YAZAKI | 7158-3112-70 | 2.8mm CABLE SEAL (wire O.D. range 1.8mm-2.3mm) | N/A | N/A | N/A | YELLOW | NOT ACTIVE |
| | 26 | YAZAKI | 7158-3113-40 | 2.8mm CABLE SEAL (wire O.D. range 2.1mm-3.0mm) | N/A | N/A | N/A | WHITE | AVAILABLE |
| | 27 | YAZAKI | 7158-3114-90 | 2.8mm YESC CAVITY PLUG | N/A | N/A | N/A | BLUE | AVAILABLE |
| | 28 | DELPHI | 33140138 | 6.35mm APEX RCPT TERM Sn/Ag GRIP CODE-10 (6mm2) - GREASED | N/A | N/A | N/A | N/A | AVAILABLE |
| | 29 | DELPHI | 33140135 | 6.35mm APEX RCPT TERM Sn/Ag GRIP CODE-TBD (1mm2) - GREASED | N/A | N/A | N/A | N/A | AVAILABLE |
| | 30 | QSR | A-0549C | 6.35mm CABLE SEAL (FOR 6.0mm2 WIRE SIZE - 3.6 TO 4.2mm INSULATION OD) | N/A | N/A | N/A | WHITE | AVAILABLE |
| | 31 | QSR | A-0549B | 6.35mm CABLE SEAL (FOR 0.75-1.25mm2 WIRE SIZE - 1.8 TO 2.3mm INSULATION OD) | N/A | N/A | N/A | BLUE | AVAILABLE |
| | 32 | MOLEX | 63825-8400 | MX64 TERM HAND CRIMP TOOL | N/A | N/A | N/A | N/A | AVAILABLE |
| | 33 | MOLEX | 63813-1400 | MX64 TERM SERVICE TOOL | N/A | N/A | N/A | N/A | AVAILABLE |
| | 34 | MOLEX | 63902-5300 | MX64 CRIMP APPLICATOR with TOOL KIT 0.5/0.75mm2 PAYOFF DIRECTION D (left payoff) (contact Molex for payoff detail) | N/A | N/A | N/A | N/A | AVAILABLE |
| | 35 | MOLEX | 63902-5370 | MX64 APPLICATOR TOOL KIT 0.5/0.75mm2 | N/A | N/A | N/A | N/A | AVAILABLE |
| | 36 | MOLEX | 63902-5100 | MX64 CRIMP APPLICATOR with TOOL KIT 0.35mm2 PAYOFF DIRECTION D (left payoff) (contact Molex for payoff detail) | N/A | N/A | N/A | N/A | AVAILABLE |
| | 37 | MOLEX | 63902-5170 | MX64 APPLICATOR TOOL KIT 0.35mm2 | N/A | N/A | N/A | N/A | AVAILABLE |
| | 38 | SPX | J35616-64 | 0.64mm PROBE TOOL (for rcpt) | N/A | N/A | N/A | N/A | AVAILABLE |
| | 39 | SPX | J35616-64A | 0.64mm PROBE TOOL WITH EXT (for rcpt) | N/A | N/A | N/A | N/A | AVAILABLE |
| | 40 | SPX | J35616-65 | 0.64mm PROBE TOOL WITH EXT (for pin) | N/A | N/A | N/A | N/A | AVAILABLE |
| | 41 | SPX | J35616-4A | 2.8mm PROBE TOOL (for rcpt) | N/A | N/A | N/A | N/A | AVAILABLE |
| | 42 | YAZAKI | X39899-J374 | 2.8mm TERM SERVICE TOOL | N/A | N/A | N/A | N/A | AVAILABLE |
| | 43 | TOI | 7000-1001 | 18CKT PASS THROUGH ADAPTERS | N/A | N/A | N/A | BLACK | AVAILABLE |
| | 44 | TOI | 7000-1004 | 49CKT PASS THROUGH ADAPTERS | N/A | N/A | N/A | BLACK | AVAILABLE |
| | 45 | TOI | 79917-0060 | 56CKT PASS THROUGH ADAPTERS | N/A | N/A | N/A | BLACK | AVAILABLE |
| | 46 | MOLEX | 63813-1500 | 6.35mm APEX TERM SERVICE TOOL | N/A | N/A | N/A | N/A | AVAILABLE |

* MX123 WIRE HARNESS COVER MATES TO ANY 18/49/56 CKT MX123 HARN CONN ASSY SHOWN ON THIS TABLE

| | | | | | | |
|--|-----------------|--|-----------------|---------------|--------------|---|
| ENTER DESCRIPTION IEC NO: UAU2017-0870 DRAWN IN ITALY CHKD: APPR: VKOSHY 2017/03/29 2017/03/29 | QUALITY SYMBOLS | GENERAL TOLERANCES (UNLESS SPECIFIED) | DIMENSION STYLE | SCALE | DESIGN UNITS | THIRD ANGLE PROJECTION |
| | ▽=0 | 4 PLACES ± mm ± INCH | MM ONLY | 1:1 | METRIC | ☉ |
| | ▽=0 | 3 PLACES ± 0.13 ± 0.005 | | | | |
| | ▽=0 | 1 PLACE ± 0.25 ± 0.01 | | | | |
| | | ANGULAR ± 1 ° | | | | |
| | | DRAFT WHERE APPLICABLE MUST REMAIN WITHIN DIMENSIONS | SEE BOM TABLE | | | |
| | | | MATERIAL NO. | DOCUMENT NO. | | |
| | | | | SD-34576-0001 | | |
| | | | | | | SHEET NO. 4 OF 22 |
| | | | | | | THIS DRAWING CONTAINS INFORMATION THAT IS PROPRIETARY TO MOLEX INCORPORATED AND SHOULD NOT BE USED WITHOUT WRITTEN PERMISSION |

NOTES: UNLESS OTHERWISE SPECIFIED

1. MATERIAL FOR INTERFACE:

- A. RESIN:
 1. 30% G.F. PBT, 20% MAX. (BY WEIGHT) REGRIND.
 2. MATING CONNECTOR INTERFACE PART COLOR MUST BE SAME AS MATCHING KEYED HARNESS CONNECTOR ASSEMBLY.
 3. MUST BE VALIDATED FOR INDIVIDUAL DEVICE APPLICATION REQUIREMENTS.
- B. 0.64MM PINS:
 1. BASE MATERIAL: COPPER ALLOY, CONDUCTIVITY >= 28% IACS AT 20°C, TENSILE STRENGTH >= 635 N/mm², SURFACE ROUGHNESS R_a6 MAX.
 2. PLATING FINISH: SILVER (Ag) PLATING TO BE 1.9-3.3 μm ELECTRODEPOSITED SEMI-BRIGHT SILVER OVER 1.25-2.25 μm DUCTILE SULPHAMATE NICKEL PER NOTE 1(D).
 3. ANTI-TARNISH: SYNTHETIC HYDROCARBON CONTACT SURFACE FINISH OR EQUIVALENT APPLIED WITHOUT VOID TO CONTACT AREA (MIN 3.7mm FROM PIN TIP).
- C. 2.8MM BLADE:
 1. BASE MATERIAL: COPPER ALLOY, CONDUCTIVITY >= 28% IACS AT 20°C, TENSILE STRENGTH >= 350 N/mm², SURFACE ROUGHNESS R_a6 MAX.
 2. PLATING FINISH: TIN PLATING TO BE 2.5-5.0 μm ELECTRODEPOSITED TIN MATTE FINISH OVER 1.25-2.5μm DUCTILE SULPHAMATE NICKEL PER NOTE 1(D).
- D. 6.3MM BLADE:
 1. BASE MATERIAL: COPPER ALLOY, CONDUCTIVITY >= 50% IACS AT 20°C,
 2. PLATING FINISH: SILVER (Ag) PLATING TO BE 1.9-3.3 μm ELECTRODEPOSITED SEMI-BRIGHT SILVER, OVER 1.25-2.5μm DUCTILE SULPHAMATE NICKEL PER NOTE 1(D) WITH ENVIRONMENTAL BARRIER OR
 TIN/SILVER (ELECTRO-DEPOSITED), UNDERPLATE 0.5-2.0 μm NICKEL OR COPPER, TOP PLATING: 1.0-3.0 μm (SILVER RANGE 3.75-X.XX NO ANTI-TARNISH COATING REQUIRED).

E. PLATING REQUIREMENTS:

1. SILVER PLATING
 a. 99.5% PURE SEMI-BRIGHT WITH NO ORGANIC BRIGHTNERS OR CHROMATES.
 2. NICKEL PLATING
 a. ELECTRODEPOSITED DUCTILE SULFAMATE NICKEL WITH A NON-BRIGHTENED FINISH. NO ORGANIC OR BRIGHTENING AGENTS SHALL BE ALLOWED.
 b. SHALL ONLY BE USED AS AN UNDERLYING PLATING AND MAY NOT BE USED AS AN ELECTRICAL CONTACT SURFACE PLATING.
 c. SHALL BE NODULE FREE WHEN VIEWED AT 10X MAGNIFICATION IN MEASURED IN CONTACT SURFACE AREA PLUS 0.5MM PERIMETER AROUND THE CONTACT SURFACE AREA.
 d. ALL PLATINGS SHALL HAVE A 1.0% MAXIMUM BY WEIGHT IMPURITIES. IMPURITIES ARE DEFINED AS ALL ELEMENTS NOT THE PRIMARY PLATING OR HARDENING AGENT IF APPLICABLE, AS DETERMINED BY WET CHEMICAL ANALYSIS OR AUGER METHOD. NO SINGLE IMPURITY SHALL EXCEED 0.1% MAXIMUM BY WEIGHT.
3. TESTING
 a. THICKNESS TO BE MEASURED IN CONTACT SURFACE AREA PLUS 0.5MM PERIMETER AROUND THE CONTACT SURFACE AREA AS DESIGNATED IN THE DRAWING. THICKNESS SHALL BE DETERMINED BY METHOD OF X-RAY (XRF).
 b. PLATING ADHESION SHALL BE TESTED BY A BEND TEST FOR ALL METALS. THE TEST SAMPLE SHALL BE BENT 90 DEGREES TO DETERMINE DEPOSIT ADHESION. TESTING SHALL BE COMPLETED IN ACCORDANCE WITH ASTM SPEC B571.

2. DESIGN - GENERAL:

- A. THIS IS A 100% CAD GENERATED PART. THE CAD MATHEMATICAL DATA IS THE MASTER FOR THIS PART. WHERE DIMENSIONS ARE SPECIFIED ON THE DRAWING, THE DRAWING IS THE AUTHORITY FOR DIMENSIONAL VALUES. FOR DIMENSIONAL OR ANY INFORMATION NOT SHOWN ON THIS DRAWING, ANALYZE THE CAD MODEL.
 B. DIMENSIONS OBTAINED FROM THE DIGITAL MODEL ARE BASIC:
 1. FOR RELATIONSHIPS BETWEEN FEATURES WHEN ESTABLISHED BY GEOMETRIC TOLERANCES.
 2. FOR THE FORM OF A FEATURE WHEN CONTROLLED BY A PROFILE TOLERANCE.
 3. FOR THE SIZE, FORM AND/OR RELATIONSHIP BETWEEN FIXED DATUM TARGETS.
 C. DIMENSIONS OBTAINED FROM THE DIGITAL MODEL ARE ROUNDED TO TWO DECIMAL PLACES (PER IEEE/ASTM SI 10-2002)
 D. VIEWS AND SECTIONS ON THIS DRAWING ARE IN ACCORDANCE WITH GM DCS SECTION C3.
 E. THE DIGITAL MODEL MUST CORRESPOND TO THE RELEASE LEVEL SHOWN IN THE PART BLOCK ON THIS DOCUMENT.
 F. TOLERANCES:
 1. LINEAR 0.X ± 0.30
 0.XX ± 0.10
 0.XXX ± 0.10
 2. ANGULAR X° ± 3°
 3. 10|A|B|C|
 G. MINIMUM WALL THICKNESS REQUIRED: 1.3mm.
 H. CORNERS SHOWN AS SHARP TO BE R 0.2 MAX.
 J. LETTERING SHALL BE 0.15 MAX RAISED IN 0.20 MAX RECESS PAD. THIS INCLUDES MATERIAL CODE, RECYCLING CODE, CAVITY ID AND DATE CODE.
 K-1. PARTS MUST BE FREE OF DISCOLORATION, SALT RESIDUE AND OTHER IMPERFECTIONS THAT AFFECT FIT OR FUNCTION.
 K-2. SCRATCHES OR DENTS NOT TO EXCEED 0.013mm IN DEPTH.
 L. FOLLOWING PRODUCTION CODES TO BE PERMANENTLY MARKED & HUMAN READABLE TO A LETTER HEIGHT OF 1.5 ± 0.5MM X 0.3 MAX DEEP
 1. MATERIAL #: XXXXX-XXXX
 2. DATE CODE: JULY (JULIAN DAY, LAST DIGIT OF YEAR)
 3. INSPECTION MACHINE CODE + SERIAL #: X_XXXXX

3. DESIGN - MANUFACTURING:

- A. DRAFT TO BE WITHIN TOLERANCE.
 B. ALLOWABLE FLASH MAX 0.2 HIGH X MAX 0.13 THICK.
 C. ALLOWABLE PARTING LINE MISMATCH 0.2 MAX.
 D. EJECTOR PINS MARK TO BE FLUSH TO 0.25 MAX DEPRESSED.
 E. ALLOWABLE GATE VESTIGE FLUSH TO 0.25 MAX PROTRUSION.
 F. NO EXTERNAL MOLD RELEASE AGENT ALLOWED DURING MANUFACTURING.
 G. STEEL THAT FORMS THE INDICATED SURFACE MUST BE POLISHED WITH A DIAMOND FINISH (SPI A-2) OVER THE FULL PERIPHERY OF THE TOOL. SURFACE MUST HAVE NO MISMATCH.
 H. ANY PROCESS LUBRICANT REMAINING ON THE TERMINAL MUST NOT VARNISH OR DEGRADE IT'S ELECTRICAL PERFORMANCE UP TO A MAXIMUM CLASS AMBIENT TEMPERATURE PER SAE USCAR-2 FOR 1008 HOURS. PROCESS LUBRICANTS SHOULD BE APPROVED BY THE RESPONSIBLE ENGINEER.
 J. OPTIONAL FEATURES PROVIDED FOR AUTOMATION.
 K. PART MUST BE FREE FROM BURRS AND SHARP EDGES, WHICH MUST BE DETRIMENTAL TO SATISFACTORY ASSEMBLY, SAFE HANDLING OR FUNCTION OF PART.
 L. PARTS AS DELIVERED TO ASSEMBLY SHALL BE CLEAN AND FREE OF DEBRIS, RESIDUAL ABRASIVE MATERIAL AND CORROSION PRODUCTS ADVERESLY AFFECTING FUNCTION OR APPEARANCE.
 M. RESTRICTED AND REPORTABLE SUBSTANCES FOR PARTS PER GMW3059.

| | | | | | | | |
|---|-----------------|--|--|-------------------------------|--|------------------------|----------------------|
| ENTER DESCRIPTION IEC NO: UAU2017-0870 DRAWN BY: ITALIA CHKD: CHKO APPR: VKOSHY 2017/03/27 2017/03/29 2017/03/29 REVISION A4 | QUALITY SYMBOLS | GENERAL TOLERANCES (UNLESS SPECIFIED) | DIMENSION STYLE | SCALE | DESIGN UNITS | THIRD ANGLE PROJECTION | |
| | ▽=0 | mm INCH | MM ONLY | 1:1 | METRIC | | |
| | ▽=0 | 4 PLACES ± --- ± --- 3 PLACES ± --- ± --- 2 PLACES ± 0.13 ± --- 1 PLACE ± 0.25 ± --- 0 PLACE ± --- ± --- | DRAWN BY: SKRA JENDRANA DATE: 2016/12/15 CHECKED BY: VKOSHY DATE: 2016/12/15 APPROVED BY: VKOSHY DATE: 2017/03/03 | TITLE | ICD - MX123 18/49/56CKT INTERFACE CONNECTION DRW MOLEX | | SHEET NO. 5 OF 22 |
| | ▽=0 | ANGULAR ± 1 ° DRAFT WHERE APPLICABLE MUST REMAIN WITHIN DIMENSIONS | MATERIAL NO: SEE BOM TABLE | DOCUMENT NO. SD-34576-0001 | molex | | |
| SIZE THIS DRAWING CONTAINS INFORMATION THAT IS PROPRIETARY TO MOLEX INCORPORATED AND SHOULD NOT BE USED WITHOUT WRITTEN PERMISSION | | | | | | | |

NOTES: UNLESS OTHERWISE SPECIFIED

4. SYSTEM REQUIREMENTS:

A. HARNESS CONNECTOR IS COMPATIBLE WITH THE FOLLOWING WIRE SIZE NO'S:
 0.35mm², MEETING GMW15626 - MIN OD OF 1.20MM
 0.50mm², MEETING GMW15626
 0.75mm², MEETING GMW15626 - MAX OD OF 2.06MM

B. CABLE TIE SPECIFICATIONS:

1. CABLE TIE:
 - TENSILE RATING: 220N / (50lbs) MIN
 - TIE LENGTH: 186mm MIN
 - TIE WIDTH: 4.75mm MAX
 - MATERIAL: NYLON
2. INSTALLATION:
 - CABLE TIE TENSION: 190N MIN
3. DRESSED WIRE BUNDLE PACKAGING: SEE FIG. 1

C. WHEN MATED WITH COMPONENT CONNECTOR INTERFACE AND/OR DRESS COVER, HARNESS CONNECTOR SYSTEM CONFORMS TO THE FOLLOWING:

1. SAE/USCAR-2, REV: 3 APRIL, 2001, CLASS 3
2. FIELD CORRELATED LIFE TEST, SAE/USCAR-20, NOV, 2001
3. GMW #3191 AUGUST 22, 2000 (DRAFT); TEMPERATURE CLASS 3 (145°C), SEALING CLASS 1 (HIGH PRESSURE SPRAY), VIBRATION CLASS 2 (ON BODY)
4. TPA USER FORCES (FULLY POPULATED WITH TERMINALS)
 - a. REMOVAL FROM LOCK TO PRE-SET: <=120N

D. WIRE SPECIFICATIONS:

1. WIRE SURFACE MUST BE FREE OF SCRATCHES, GROOVES OR DENTS WHERE FUNCTIONAL

5. TERMINAL CURRENT RATINGS:

A. MX64 RCPT TERM

ALL TESTING DONE IN ACCORDANCE WITH USCAR-2 REV5 SECTION 5.3

1. MX64 RCPT TERM Ag 0.50/0.75mm² CRIMPED TO 0.75mm² ISO WIRE AND MATED TO MX123 0.64MM PIN: SEE TABLE BELOW
2. MX64 RCPT TERM Ag 0.35mm² CRIMPED TO 0.35mm² ISO WIRE AND MATED TO MX123 0.64MM PIN: SEE TABLE BELOW

| WIRE | CURRENT RATING | | | |
|---------------------|----------------|-------|--------|--------|
| | 23 °C | 85 °C | 105 °C | 125 °C |
| 0.75mm ² | 11.3A | 11.3A | 9.5A | 6.6A |
| 0.50mm ² | 10.0A | 10.0A | 8.3A | 5.7A |
| 0.35mm ² | 8.5A | 8.5A | 7.1A | 5.0A |

B. 2.8MM RCPT TERM

ALL TESTING DONE IN ACCORDANCE WITH MOLEX DVP&R 0279 (TR# 7125)

1. 2.8MM RCPT TERM TIN 2.0mm² CRIMPED TO 2.0mm² ISO WIRE AND MATED TO MX123 2.8MM BLADE: 25.6 AMPS AT 125°C

C. 6.3MM RCPT TERM - DELPHI APEX

ALL TESTING DONE IN ACCORDANCE WITH USCAR-2 REV5 SECTION 5.3

1. 6.3MM RCPT TERM TIN/SILVER CRIMPED TO 6.0MM BLADE (Sn/Ag PLATED): 36A AT 125°C
6. CONTACT MOLEX AUTOMOTIVE FOR AVAILABLE CUSTOM PATTERNS OF CAVITIES OPEN FOR CIRCUITS - SEE GM DRAWING 13507495

| | | | | | | |
|---|-----------------|--|---|------------------|---|------------------------|
| ENTER DESCRIPTION IEC NO: UAU2017-0870 DRAWN: CHITALLA CHKD: APPR: VKOSHY 2017/03/29 | QUALITY SYMBOLS | GENERAL TOLERANCES (UNLESS SPECIFIED) | DIMENSION STYLE | SCALE | DESIGN UNITS | THIRD ANGLE PROJECTION |
| | ▽=0 | 4 PLACES ±--- ±--- | MM ONLY | 1:1 | METRIC | ☉ |
| | ▽=0 | 3 PLACES ±--- ±--- | | | | |
| | ▽=0 | 2 PLACES ±0.13 ±--- | | | | |
| | | 1 PLACE ±0.25 ±--- | | | | |
| | | 0 PLACE ±--- ±--- | | | | |
| | | ANGULAR ± 1 ° | | | | |
| | | DRAFT WHERE APPLICABLE MUST REMAIN WITHIN DIMENSIONS | | | | |
| | | | DRAWN BY: SKRAJENDRANA | DATE: 2016/12/15 | TITLE: ICD - MX123 18/49/56CKT INTERFACE CONNECTION DRW MOLEX | |
| | | | CHECKED BY: VKOSHY | DATE: 2016/12/15 | | |
| | | | APPROVED BY: VKOSHY | DATE: 2017/03/03 | | |
| | | | MATERIAL NO.: | DOCUMENT NO.: | SHEET NO.: | |
| | | | SEE BOM TABLE | SD-34576-0001 | 6 OF 22 | |
| | | | THIS DRAWING CONTAINS INFORMATION THAT IS PROPRIETARY TO MOLEX INCORPORATED AND SHOULD NOT BE USED WITHOUT WRITTEN PERMISSION | | | |

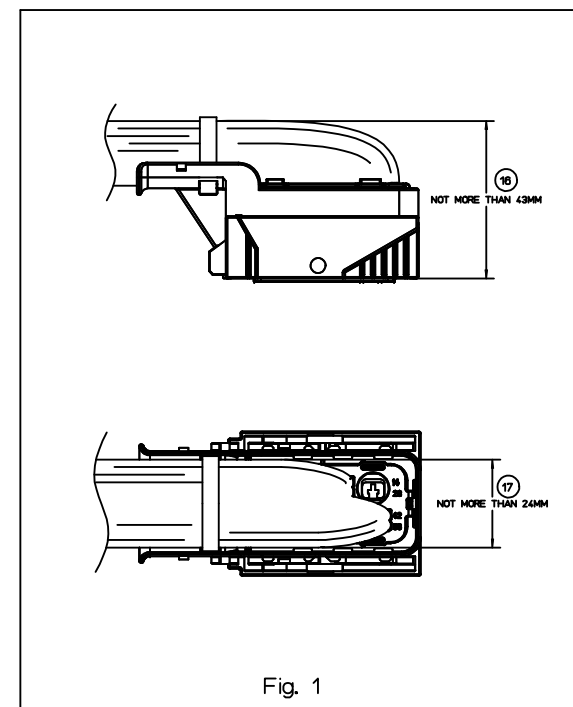
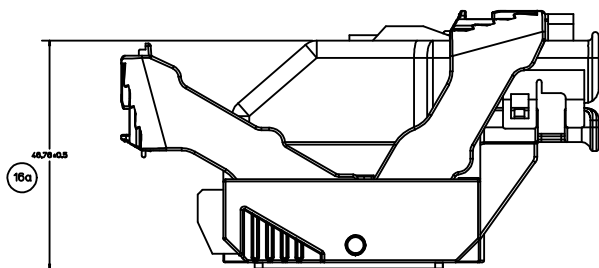
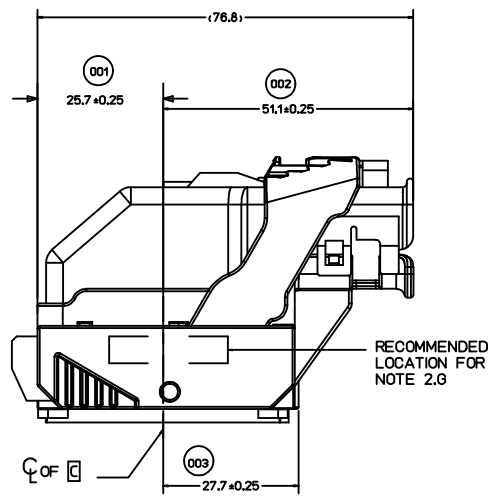
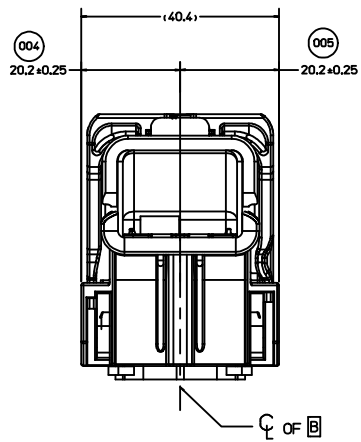


Fig. 1

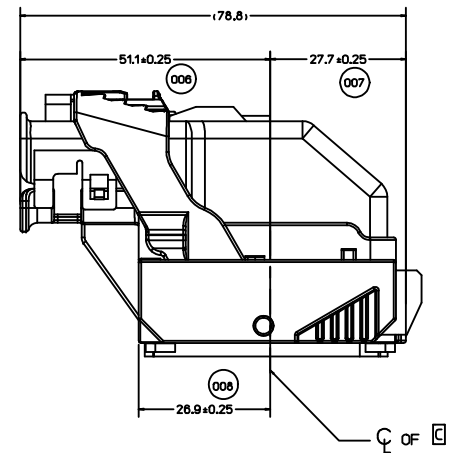
| | | | | | | |
|--|-----------------------|--|--|---|--------------|------------------------|
| ENTER DESCRIPTION IEC NO: UAU2017-0870 DRAWN: CHITALIA 2017/03/27 CHKD: APPR: VKOSHY 2017/03/29 | QUALITY SYMBOLS | GENERAL TOLERANCES (UNLESS SPECIFIED) | DIMENSION STYLE | SCALE | DESIGN UNITS | THIRD ANGLE PROJECTION |
| | ▽=0 | mm INCH | MM ONLY | 1:1 | METRIC | ☉ |
| | ▽=0 | 4 PLACES ± --- + --- | DRAWN BY DATE | | | |
| | ▽=0 | 3 PLACES ± --- + --- | SKRAJENDRANA 2016/12/15 | TITLE | | |
| ▽=0 | 2 PLACES ± 0.13 ± --- | CHECKED BY DATE | ICD - MX123 18/49/56CKT INTERFACE CONNECTION DRW MOLEX | | | |
| ▽=0 | 1 PLACE ± 0.25 ± --- | VKOSHY 2016/12/15 | molex DOCUMENT NO. SD-34576-0001 SHEET NO. 7 OF 22 | | | |
| ▽=0 | 0 PLACE ± --- ± --- | APPROVED BY DATE | | | | |
| | | ANGULAR ± 1 ° | MATERIAL NO. | | | |
| | | DRAFT WHERE APPLICABLE MUST REMAIN WITHIN DIMENSIONS | SEE BOM TABLE | | | |
| | | | SIZE D | THIS DRAWING CONTAINS INFORMATION THAT IS PROPRIETARY TO MOLEX INCORPORATED AND SHOULD NOT BE USED WITHOUT WRITTEN PERMISSION | | |



WIRE DRESS OPTION 0 SHOWN

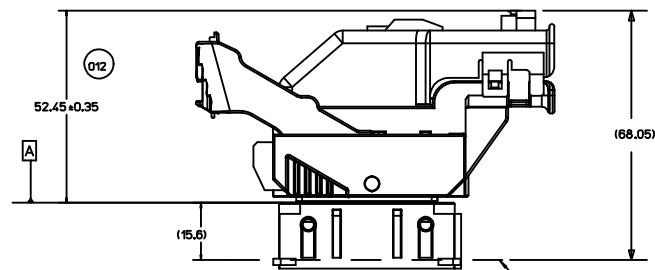


WIRE DRESS OPTION 0 SHOWN

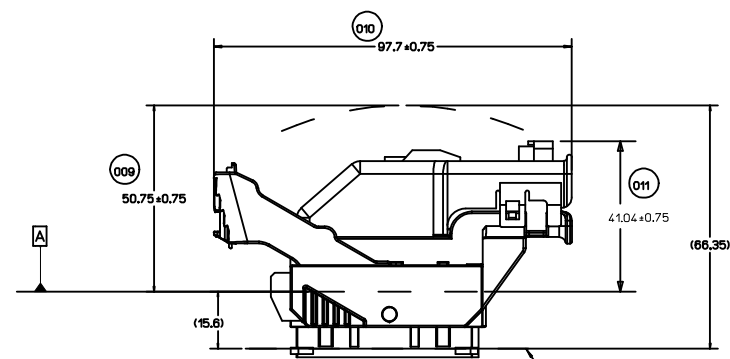


WIRE DRESS OPTION 9 SHOWN

| | | | | | | |
|--|-----------------|--|-----------------|---|--------------------------|------------------------|
| ENTER DESCRIPTION IEC NO: UAU2017-0870 DRAWN: ACHITALLIA 2017/03/27 CHYD: APPR: VKOSHY 2017/03/29 | QUALITY SYMBOLS | GENERAL TOLERANCES (UNLESS SPECIFIED) | DIMENSION STYLE | SCALE | DESIGN UNITS | THIRD ANGLE PROJECTION |
| | ▽=0 | mm | MM ONLY | 1:1 | METRIC | ☉ |
| | ▽=0 | INCH | | | | |
| | ▽=0 | | | | | |
| | 4 PLACES ± | | DRAWN BY | DATE | TITLE | |
| | 3 PLACES ± | | SKRAJENDRANA | 2016/12/15 | ICD - MX123 18/49/56CKT | |
| | 2 PLACES ±0.13 | | CHECKED BY | DATE | INTERFACE CONNECTION DRW | |
| | 1 PLACE ±0.25 | | VKOSHY | 2016/12/15 | MOLEX | |
| | 0 PLACE ± | | APPROVED BY | DATE | molex | |
| | | | VKOSHY | 2017/03/03 | | |
| | | ANGULAR ± 1° | MATERIAL NO. | DOCUMENT NO. | SHEET NO. | |
| | | DRAFT WHERE APPLICABLE MUST REMAIN WITHIN DIMENSIONS | SEE BOM TABLE | SD-34576-0001 | 8 OF 22 | |
| | | | SIZE D | THIS DRAWING CONTAINS INFORMATION THAT IS PROPRIETARY TO MOLEX INCORPORATED AND SHOULD NOT BE USED WITHOUT WRITTEN PERMISSION | | |

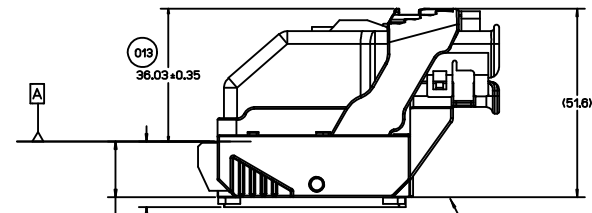


HARNES CONNECTOR CLEARANCE LINE



HARNES CONNECTOR ASSEMBLY
IN PRE-LOCK POSITION

HARNES CONNECTOR CLEARANCE LINE



HARNES CONNECTOR CLEARANCE LINE

HARNES CONNECTOR ASSEMBLY
IN FULLY-MATED POSITION

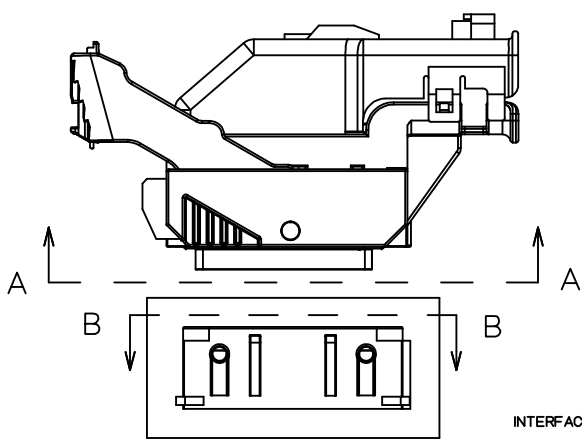
015
7.9 MIN. AT PAD LOCATION
CLEARANCE REQUIRED
FOR HARNES CONNECTOR.
CONSTRUCTION BELOW THIS
PLANE IS NOT CONTROLLED

014
15.6 MIN.
ALL AROUND
CLEARANCE REQUIRED
FOR HARNES CONNECTOR

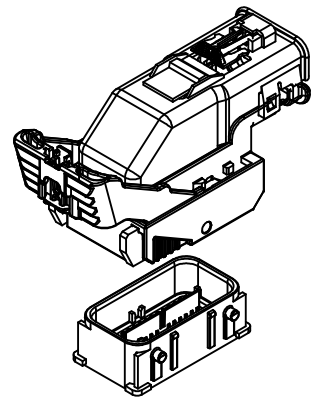
| | | | | | | | |
|---|-----------------|--|--------|---|-------|-------------------|------------------------|
| ENTER DESCRIPTION IEC NO: UAU2017-0870 DRAWN: ITALIA 2017/03/27 CHKD: APPR: VKOSHY 2017/03/29 REV: | QUALITY SYMBOLS | GENERAL TOLERANCES (UNLESS SPECIFIED) | | DIMENSION STYLE | SCALE | DESIGN UNITS | THIRD ANGLE PROJECTION |
| | ▽=0 | 4 PLACES | mm | MM ONLY | 1:1 | METRIC | ☉ |
| | ▽=0 | 3 PLACES | INCH | | | | |
| | ▽=0 | 2 PLACES | ± 0.13 | | | | |
| | | 1 PLACE | ± 0.25 | | | | |
| | | 0 PLACE | | | | | |
| | | ANGULAR ± 1 ° | | MATERIAL NO. | | DOCUMENT NO. | |
| | | DRAFT WHERE APPLICABLE MUST REMAIN WITHIN DIMENSIONS | | SEE BOM TABLE | | SD-34576-0001 | |
| | | | | THIS DRAWING CONTAINS INFORMATION THAT IS PROPRIETARY TO MOLEX INCORPORATED AND SHOULD NOT BE USED WITHOUT WRITTEN PERMISSION | | SHEET NO. 9 OF 22 | |

ICD - MX123 18/49/56CKT
INTERFACE CONNECTION DRW
MOLEX

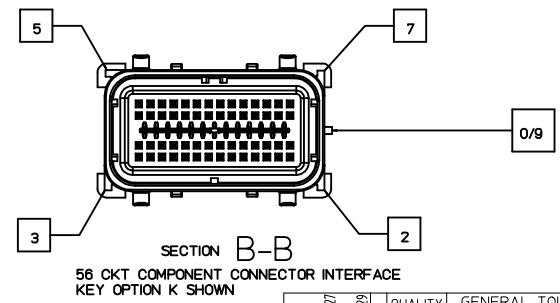
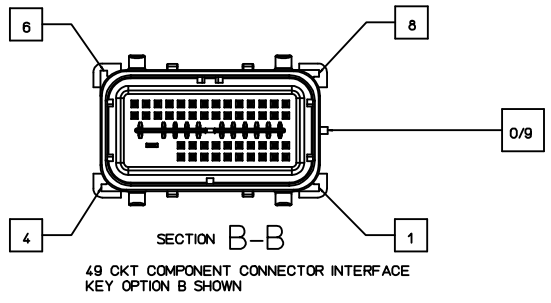
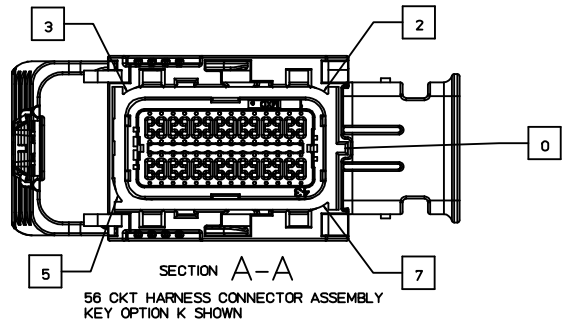
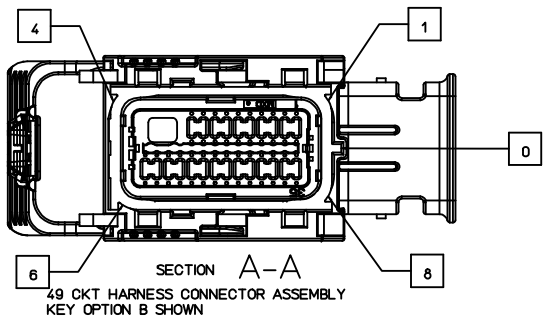
molex



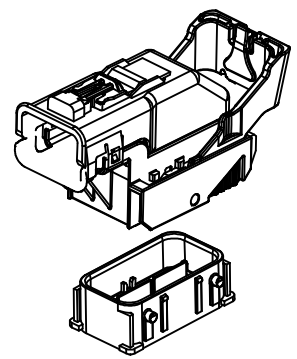
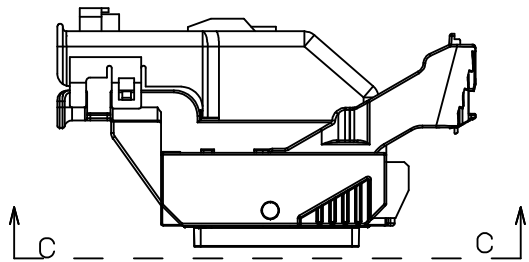
INTERFACE SIDE SHOWN IN ALL SECTION VIEWS



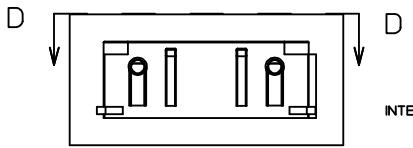
NOTE: REFERENCE THE COMPONENT TABLE FOR KEY OPTIONS AND CONFIGURATIONS



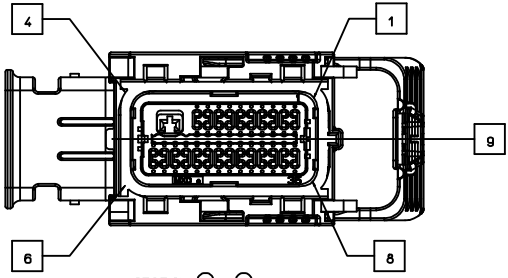
| | | | | | | | |
|--|-----------------|--|---|---------------|--------------|------------------------|--|
| ENTER DESCRIPTION IEC NO: UAU2017-0870 DRAWN: CHAITALIA CHKD: APPR: VKOSHY 2017/03/27 2017/03/29 A4 | QUALITY SYMBOLS | GENERAL TOLERANCES (UNLESS SPECIFIED) | DIMENSION STYLE | SCALE | DESIGN UNITS | THIRD ANGLE PROJECTION | |
| | ▽=0 | 4 PLACES ± --- INCH | MM ONLY | 1:1 | METRIC | | |
| | ▽=0 | 3 PLACES ± 0.13 | | | | | |
| | ▽=0 | 2 PLACES ± 0.25 | | | | | |
| | | 0 PLACE ± --- | | | | | |
| | | ANGULAR ± 1 ° | | | | | |
| | | DRAFT WHERE APPLICABLE MUST REMAIN WITHIN DIMENSIONS | | | | | |
| | | | MATERIAL NO. | DOCUMENT NO. | | SHEET NO. | |
| | | | SEE BOM TABLE | SD-34576-0001 | | 10 OF 22 | |
| | | | THIS DRAWING CONTAINS INFORMATION THAT IS PROPRIETARY TO MOLEX INCORPORATED AND SHOULD NOT BE USED WITHOUT WRITTEN PERMISSION | | | | |



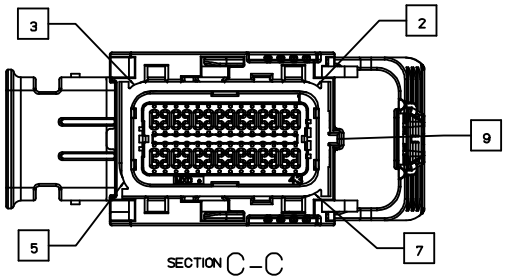
NOTE: REFERENCE THE COMPONENT TABLE FOR KEY OPTIONS AND CONFIGURATIONS



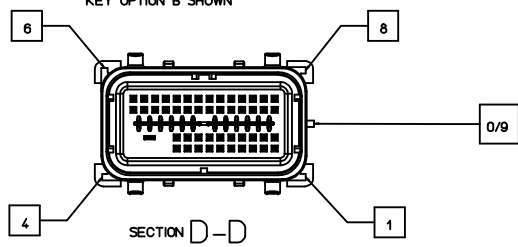
INTERFACE SIDE SHOWN ON ALL SECTION VIEWS



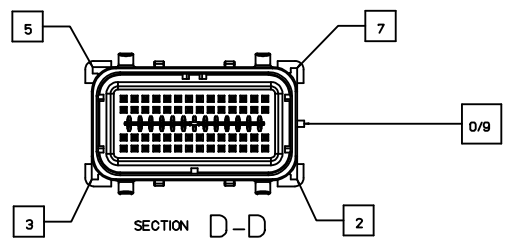
SECTION C-C
49 CKT HARNESS CONNECTOR ASSEMBLY
KEY OPTION B SHOWN



SECTION C-C
56 CKT HARNESS CONNECTOR ASSEMBLY
KEY OPTION K SHOWN

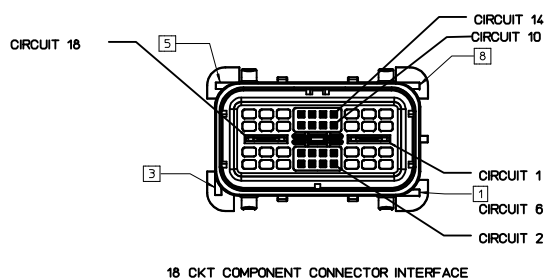
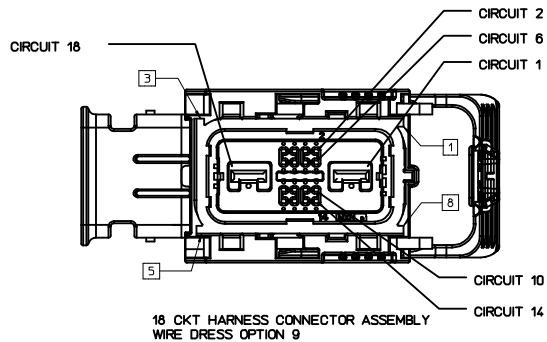
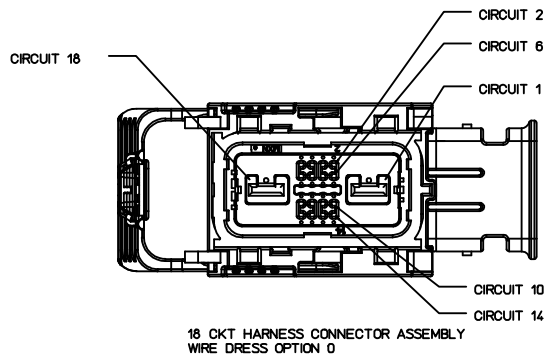


SECTION D-D
49 CKT COMPONENT CONNECTOR INTERFACE
KEY OPTION B SHOWN



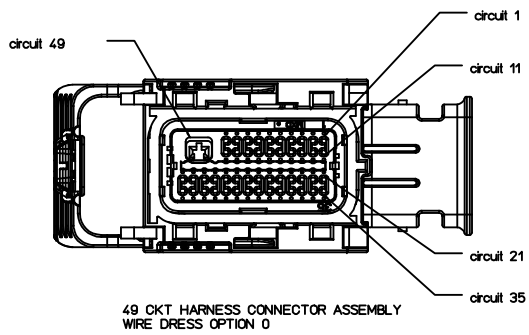
SECTION D-D
56 CKT COMPONENT CONNECTOR INTERFACE
KEY OPTION K SHOWN

| | | | | | | | | | | | | |
|---|--------------------------------------|--|--|--|----------------------------|--|---|--|------------------------|--|--|--|
| ENTER DESCRIPTION IEC NO. UAU2017-0870 DRAWN BY CHKD: APPR:VKOSHY 2017/03/29 | QUALITY SYMBOLS ∇=0 ∇=0 ∇=0 | | GENERAL TOLERANCES (UNLESS SPECIFIED) mm INCH 4 PLACES ± --- ± --- 3 PLACES ± --- ± --- 2 PLACES ± 0.13 ± --- 1 PLACE ± 0.25 ± --- 0 PLACE ± --- ± --- | | DIMENSION STYLE MM ONLY | | SCALE 1:1 | | DESIGN UNITS METRIC | | THIRD ANGLE PROJECTION | |
| | DRAWN BY SKRA JENDRANA | | DATE 2016/12/15 | | MATERIAL NO. | | DOCUMENT NO. SD-34576-0001 | | SHEET NO. 11 OF 22 | | TITLE ICD - MX123 18/49/56CKT INTERFACE CONNECTION DRW MOLEX | |
| | CHECKED BY VKOSHY | | DATE 2016/12/15 | | APPROVED BY VKOSHY | | DATE 2017/03/03 | | SEE BOM TABLE | | THIS DRAWING CONTAINS INFORMATION THAT IS PROPRIETARY TO MOLEX INCORPORATED AND SHOULD NOT BE USED WITHOUT WRITTEN PERMISSION | |
| | APPR:VKOSHY | | DATE 2017/03/29 | | ANGULAR ± 1° | | DRAFT WHERE APPLICABLE MUST REMAIN WITHIN DIMENSIONS | | SIZE D | | THIS DRAWING CONTAINS INFORMATION THAT IS PROPRIETARY TO MOLEX INCORPORATED AND SHOULD NOT BE USED WITHOUT WRITTEN PERMISSION | |

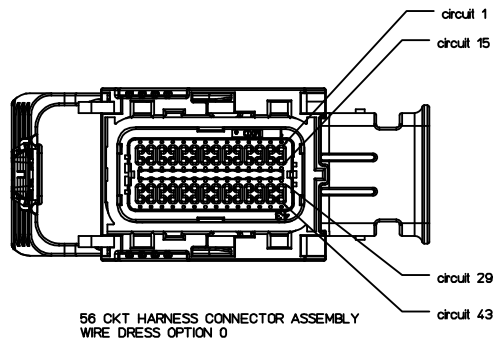


INTERFACE SIDE SHOWN ON ALL VIEWS

| | | | | | | |
|--|-----------------|--|---|---------------|--------------|------------------------|
| ENTER DESCRIPTION IEC NO: UAU2017-0870 DRAWN: ACHITALLIA 2017/03/27 CHKD: APPR: VKOSHY 2017/03/29 REV: | QUALITY SYMBOLS | GENERAL TOLERANCES (UNLESS SPECIFIED) | DIMENSION STYLE | SCALE | DESIGN UNITS | THIRD ANGLE PROJECTION |
| | ▽=0 | mm INCH | MM ONLY | 1:1 | METRIC | |
| | ▽=0 | 4 PLACES ± 0.13 | | | | |
| | ▽=0 | 3 PLACES ± 0.25 | | | | |
| | | ANGULAR ± 1° | | | | |
| | | DRAFT WHERE APPLICABLE MUST REMAIN WITHIN DIMENSIONS | SEE BOM TABLE | | | |
| | | | MATERIAL NO. | DOCUMENT NO. | | SHEET NO. |
| | | | | SD-34576-0001 | | 12 OF 22 |
| | | | THIS DRAWING CONTAINS INFORMATION THAT IS PROPRIETARY TO MOLEX INCORPORATED AND SHOULD NOT BE USED WITHOUT WRITTEN PERMISSION | | | |

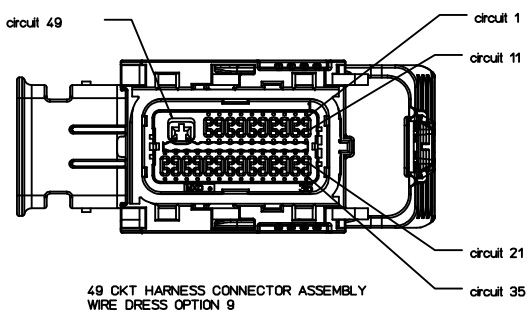


49 CKT HARNESS CONNECTOR ASSEMBLY
WIRE DRESS OPTION 0

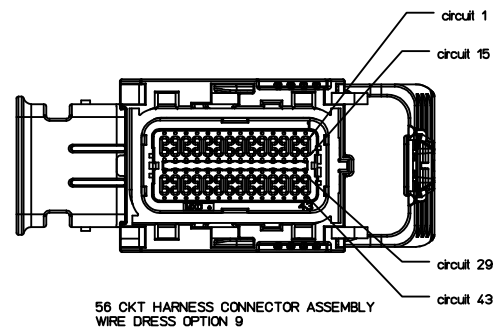


56 CKT HARNESS CONNECTOR ASSEMBLY
WIRE DRESS OPTION 0

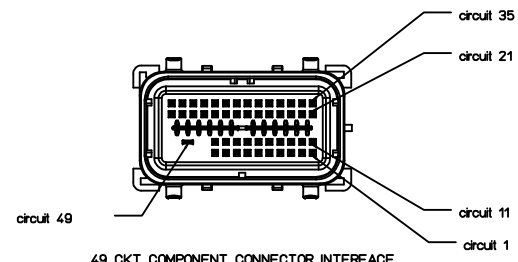
INTERFACE SIDE SHOWN ON ALL VIEWS



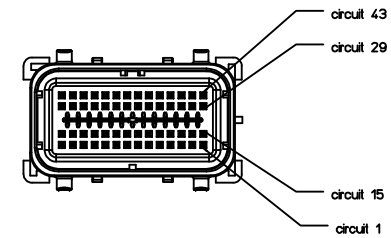
49 CKT HARNESS CONNECTOR ASSEMBLY
WIRE DRESS OPTION 9



56 CKT HARNESS CONNECTOR ASSEMBLY
WIRE DRESS OPTION 9

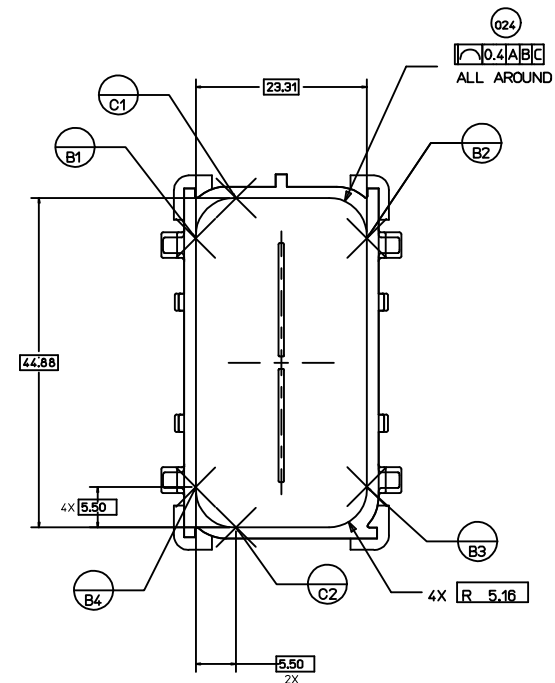
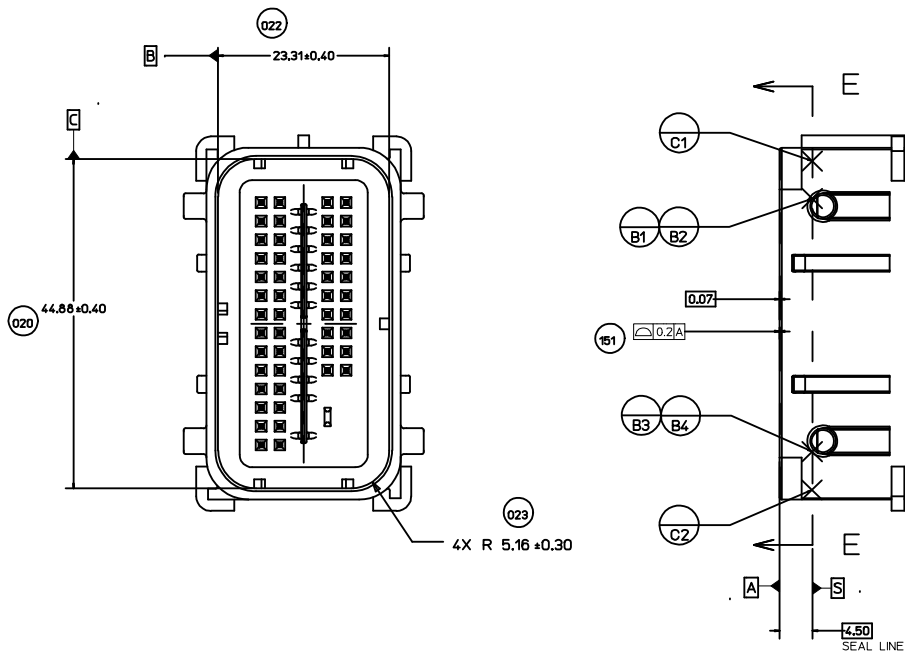
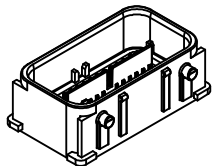


49 CKT COMPONENT CONNECTOR INTERFACE



56 CKT COMPONENT CONNECTOR INTERFACE

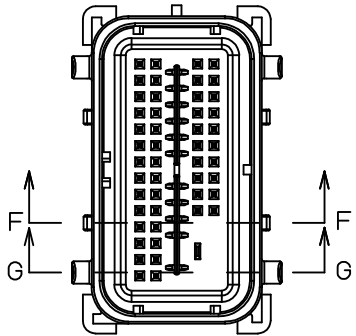
| | | | | | | |
|---|-----------------|---------------------------------------|--|------------------|---|------------------------|
| ENTER DESCRIPTION IEC NO: UAU2017-0870 DRAWN BY: DRWNA/ITALIA CHKD: APPR:VKOSHY DATE: 2017/03/27 2017/03/29 | QUALITY SYMBOLS | GENERAL TOLERANCES (UNLESS SPECIFIED) | DIMENSION STYLE | SCALE | DESIGN UNITS | THIRD ANGLE PROJECTION |
| | ▽=0 | mm INCH | MM ONLY | 1:1 | METRIC | |
| | ▽=0 | 4 PLACES ± --- | DRAWN BY: SKRAJENDRANA | DATE: 2016/12/15 | TITLE: ICD - MX123 18/49/56CKT INTERFACE CONNECTION DRW | |
| | ▽=0 | 3 PLACES ± 0.13 | CHECKED BY: VKOSHY | DATE: 2016/12/15 | MOLEX | |
| | 2 PLACES ± 0.25 | 1 PLACE ± --- | APPROVED BY: VKOSHY | DATE: 2017/03/03 | molex MATERIAL NO. SEE BOM TABLE DOCUMENT NO. SD-34576-0001 | |
| | 0 PLACE ± --- | ANGULAR ± 1° | DRAFT WHERE APPLICABLE MUST REMAIN WITHIN DIMENSIONS | | SHEET NO. 13 OF 22 | |
| THIS DRAWING CONTAINS INFORMATION THAT IS PROPRIETARY TO MOLEX INCORPORATED AND SHOULD NOT BE USED WITHOUT WRITTEN PERMISSION | | | | | | |



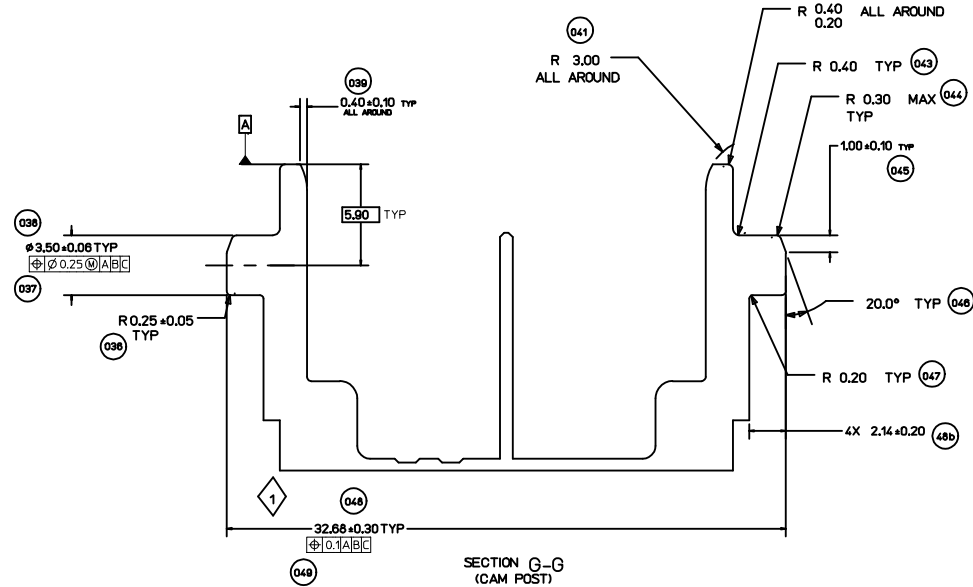
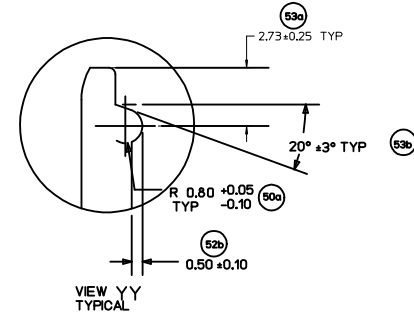
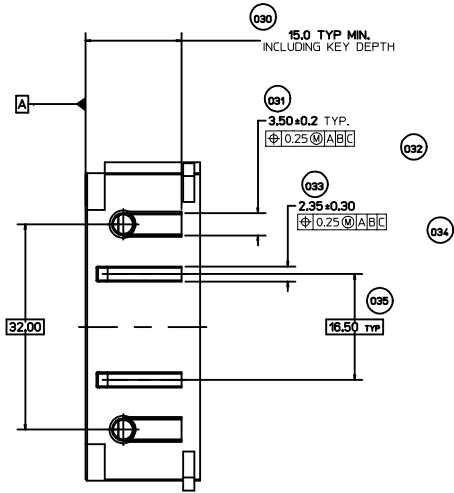
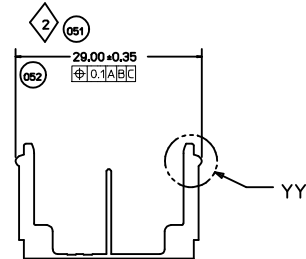
SECTION E-E
(AT SEAL LINE)

UNLESS SPECIFIED, TOLERANCE OF THE DEVICE INTERFACE TO BE $\square 0.13 \text{ABC}$

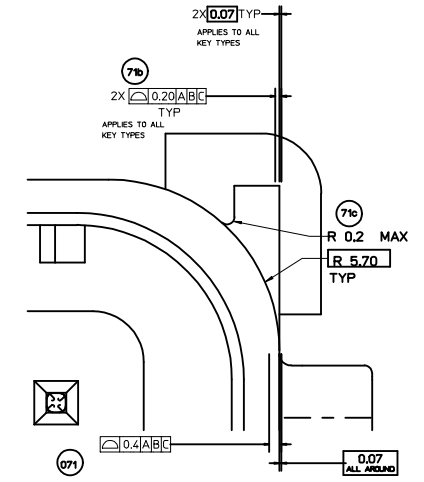
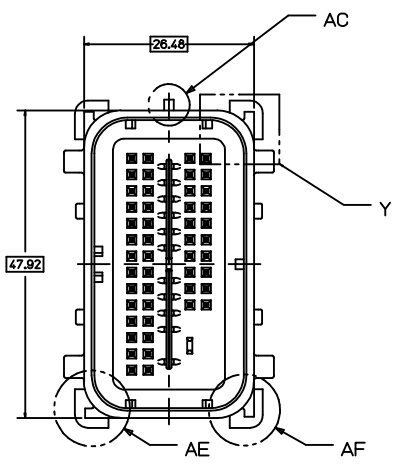
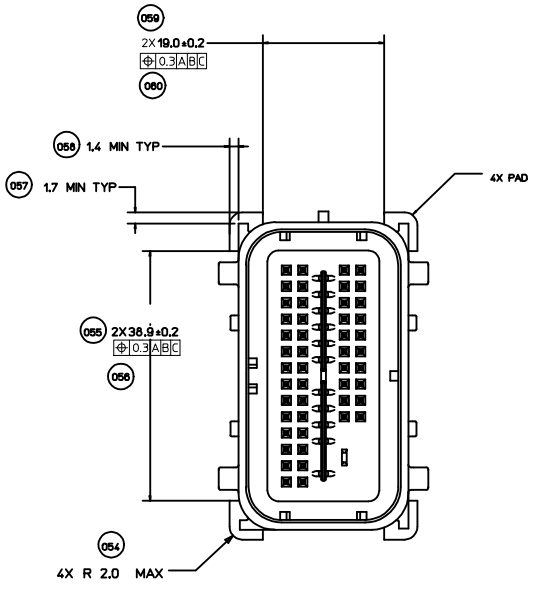
| | | | | | | | |
|--|--|---|-------------------------------|-------------------------------|-----------------------|--|--|
| ENTER DESCRIPTION IEC NO: UAU2017-0870 DRAWN: ITALIA 2017/03/27 CHKD: APPR: VKOSHY 2017/03/29 REV: | QUALITY SYMBOLS | GENERAL TOLERANCES (UNLESS SPECIFIED) | DIMENSION STYLE | SCALE | DESIGN UNITS | THIRD ANGLE PROJECTION | |
| | $\nabla=0$ $\nabla=0$ $\nabla=0$ | mm INCH 4 PLACES ± --- ± --- 3 PLACES ± 0.13 ± --- 2 PLACES ± 0.25 ± --- 1 PLACE ± --- ± --- 0 PLACE ± --- ± --- | MM ONLY | 1:1 | METRIC | SKRA JENDRANA 2016/12/15 VKOSHY 2016/12/15 VKOSHY 2017/03/03 | ICD - MX123 18/49/56CKT INTERFACE CONNECTION DRW MOLEX molex |
| | ANGULAR ± 1 ° DRAFT WHERE APPLICABLE MUST REMAIN WITHIN DIMENSIONS | SEE BOM TABLE THIS DRAWING CONTAINS INFORMATION THAT IS PROPRIETARY TO MOLEX INCORPORATED AND SHOULD NOT BE USED WITHOUT WRITTEN PERMISSION | MATERIAL NO. SD-34576-0001 | DOCUMENT NO. SD-34576-0001 | SHEET NO. 14 OF 22 | | |
| | A4 SIZE D | | | | | | |



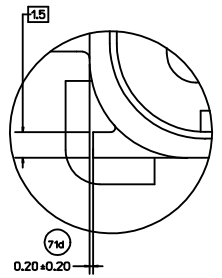
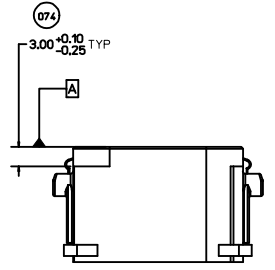
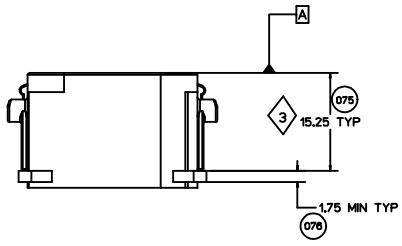
SECTION F-F
(RELEASE FEATURE)



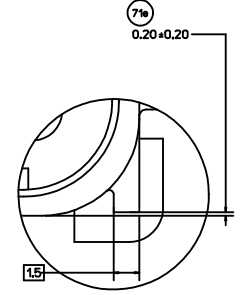
| | | | | | | |
|---|--|---------------------------------------|-----------------|---------------|---|------------------------|
| ENTER DESCRIPTION ELEC NO: UAU2017-0870 DRAWN IN ITALY 2017/03/27 CHKD: DRW:WACHITALIA APPR:VKOSHY 2017/03/29 | QUALITY SYMBOLS | GENERAL TOLERANCES (UNLESS SPECIFIED) | DIMENSION STYLE | SCALE | DESIGN UNITS | THIRD ANGLE PROJECTION |
| | ▽=0 | mm | MM ONLY | 1:1 | METRIC | ☉ |
| | ▽=0 | INCH | | | | |
| | ▽=0 | | | | | |
| | 4 PLACES +---+--- | | DRAWN BY | DATE | TITLE | |
| | 3 PLACES +---+--- | | SKRAJENDRANA | 2016/12/15 | ICD - MX123 18/49/56CKT | |
| | 2 PLACES +---+--- | | CHECKED BY | DATE | INTERFACE CONNECTION DRW | |
| | 1 PLACE +---+--- | | VKOSHY | 2016/12/15 | MOLEX | |
| | 0 PLACE +---+--- | | APPROVED BY | DATE | molex SEE BOM TABLE SD-34576-0001 | |
| | | | VKOSHY | 2017/03/03 | | |
| | ANGULAR ± 1 ° | | MATERIAL NO. | DOCUMENT NO. | SHEET NO. | |
| | DRAFT WHERE APPLICABLE MUST REMAIN WITHIN DIMENSIONS | | SEE BOM TABLE | SD-34576-0001 | 15 OF 22 | |
| | | | SIZE | | THIS DRAWING CONTAINS INFORMATION THAT IS PROPRIETARY TO MOLEX INCORPORATED AND SHOULD NOT BE USED WITHOUT WRITTEN PERMISSION | |



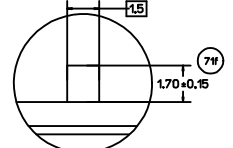
DETAIL Y



VIEW AE
KEY TYPE 2

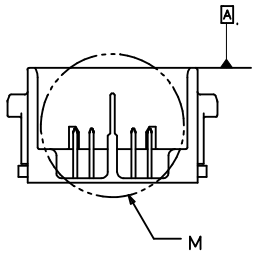
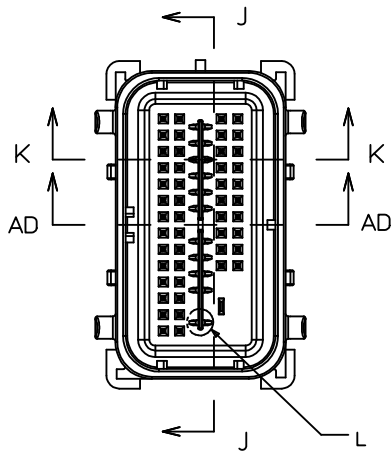


VIEW AF
KEY TYPE 1

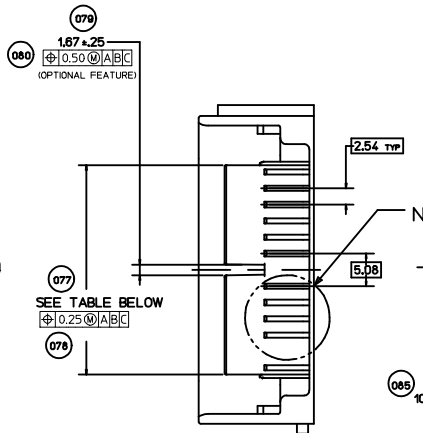


VIEW AC
KEY TYPE 3

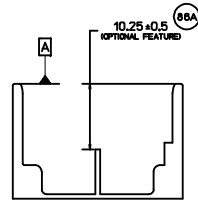
| | | | | | | |
|---|---|---|-------------------------------|--|-------------------------------|------------------------|
| ENTER DESCRIPTION IEC NO: UAU2017-0870 DRAWN: CHITALLA CHKD: APPR: VKOSHY 2017/03/27 2017/03/29 DESCRIPTION | QUALITY SYMBOLS | GENERAL TOLERANCES (UNLESS SPECIFIED) | DIMENSION STYLE | SCALE | DESIGN UNITS | THIRD ANGLE PROJECTION |
| | ∇=0 ∇=0 ∇=0 | mm INCH 4 PLACES ± --- ± --- 3 PLACES ± --- ± --- 2 PLACES ± 0.13 ± --- 1 PLACE ± 0.25 ± --- 0 PLACE ± --- ± --- | MM ONLY | 1:1 | METRIC | |
| | ANGULAR ± 1 ° DRAFT WHERE APPLICABLE MUST REMAIN WITHIN DIMENSIONS | DRAWN BY: SKRAJENDRANA CHECKED BY: VKOSHY APPROVED BY: VKOSHY DATE: 2016/12/15 DATE: 2016/12/15 DATE: 2017/03/03 | MATERIAL NO: SEE BOM TABLE | TITLE: ICD - MX123 18/49/56CKT INTERFACE CONNECTION DRW MOLEX | DOCUMENT NO: SD-34576-0001 | SHEET NO: 16 OF 22 |
| | THIS DRAWING CONTAINS INFORMATION THAT IS PROPRIETARY TO MOLEX INCORPORATED AND SHOULD NOT BE USED WITHOUT WRITTEN PERMISSION | | | | | |



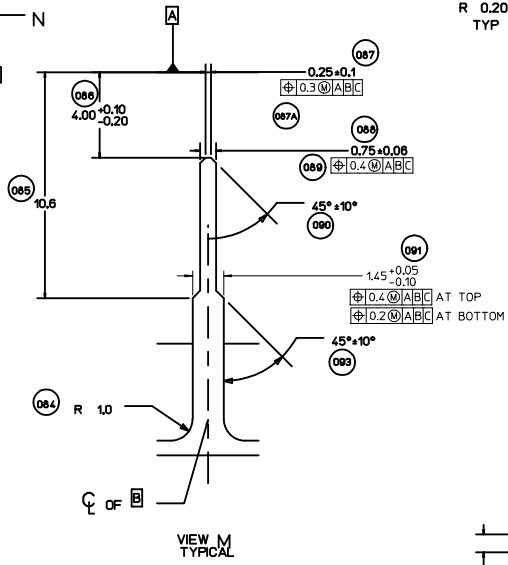
SECTION K-K



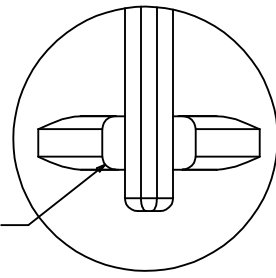
SECTION J-J



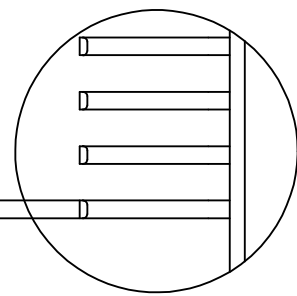
SECTION AD-AD



VIEW M TYPICAL



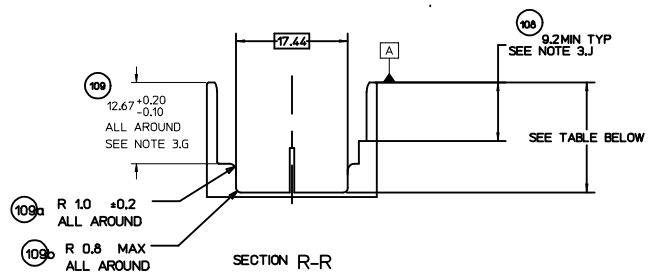
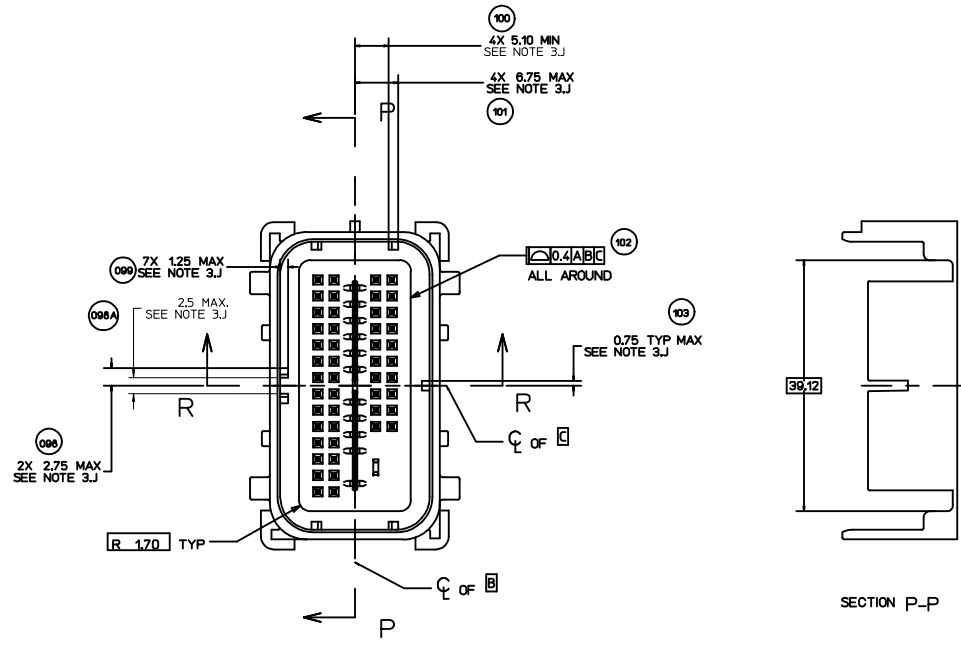
VIEW L



VIEW N

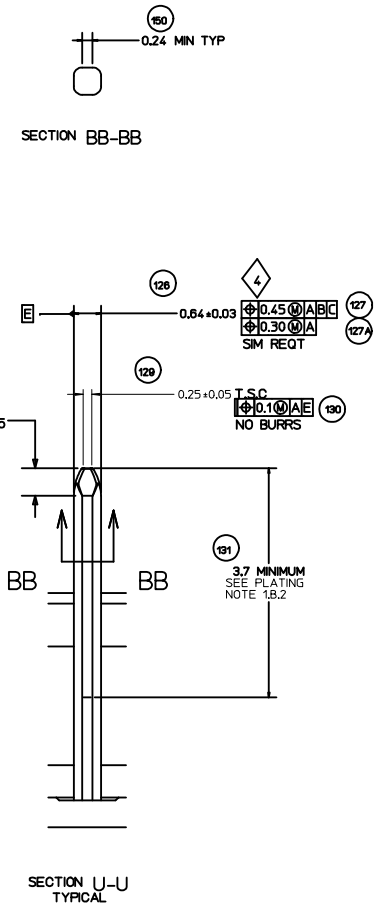
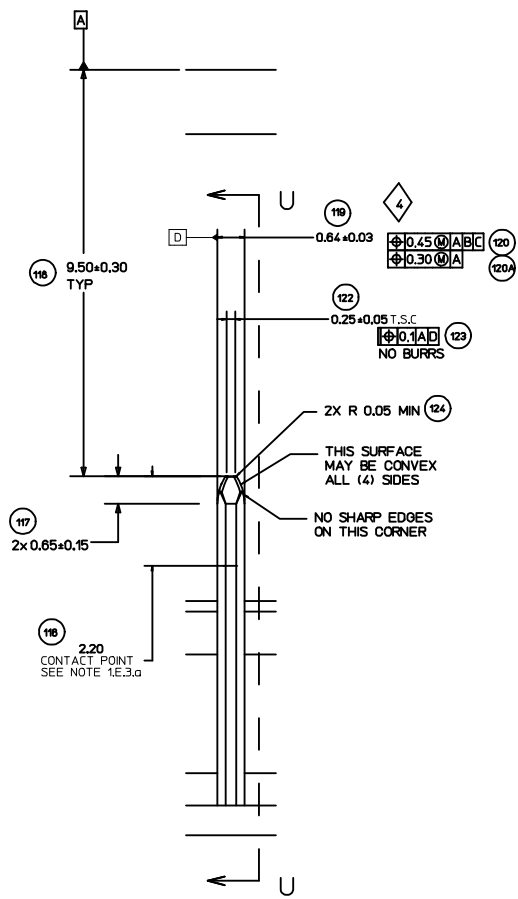
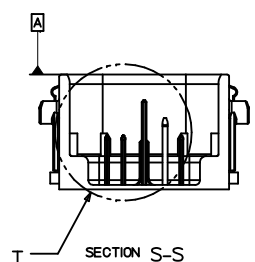
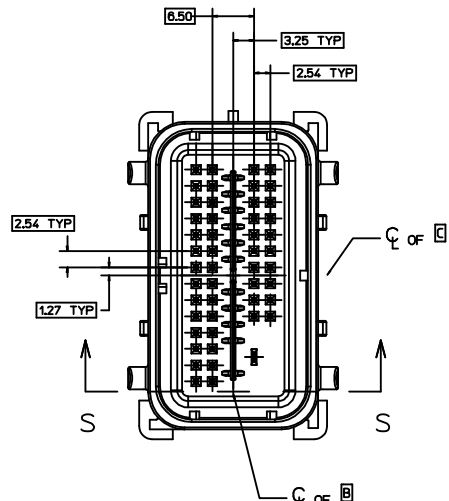
| CKT | DIM (077) |
|-------------|-------------------|
| 49 / 56 CKT | 32.60 +0.10/-0.60 |
| 18 CKT | 10.04 +0.10/-0.60 |

| | | | | | | | |
|--|-------------------------------|--|--|---|--------------|------------------------|--|
| ENTER DESCRIPTION IEC NO: UAU2017-0870 DRAWN IN ITALY 2017/03/27 CHKD: CHYK: APPR: VKOSHY 2017/03/29 REV DESCRIPTION | QUALITY SYMBOLS | GENERAL TOLERANCES (UNLESS SPECIFIED) | DIMENSION STYLE | SCALE | DESIGN UNITS | THIRD ANGLE PROJECTION | |
| | ∇=0 ∇=0 ∇=0 | 4 PLACES ± --- ± --- 3 PLACES ± --- ± --- 2 PLACES ± 0.13 ± --- 1 PLACE ± 0.25 ± --- 0 PLACE ± --- ± --- | mm INCH ANGULAR ± 1 ° DRAFT WHERE APPLICABLE MUST REMAIN WITHIN DIMENSIONS | MM ONLY DRAWN BY DATE SKRA JENDRANA 2016/12/15 CHECKED BY DATE VKOSHY 2016/12/15 APPROVED BY DATE VKOSHY 2017/03/03 | 1:1 | METRIC | ICD - MX123 18/49/56CKT INTERFACE CONNECTION DRW MOLEX molex |
| | MATERIAL NO. SEE BOM TABLE | DOCUMENT NO. SD-34576-0001 | SHEET NO. 17 OF 22 | THIS DRAWING CONTAINS INFORMATION THAT IS PROPRIETARY TO MOLEX INCORPORATED AND SHOULD NOT BE USED WITHOUT WRITTEN PERMISSION | | | |
| | A4 | | | | | | |

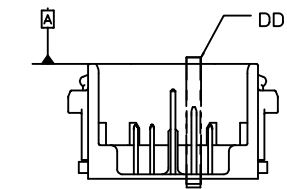
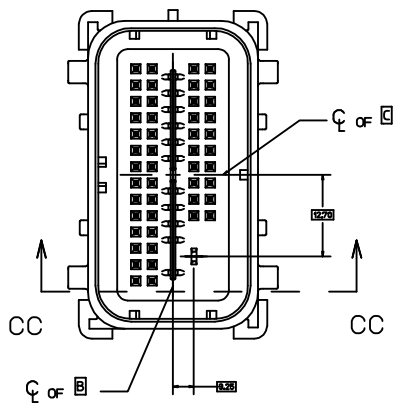


| CKT | DIM 100 |
|-------------|-------------------|
| 49 / 56 CKT | 17.20 +0.20/-0.10 |
| 18 CKT | 17.50 +0.20/-0.10 |

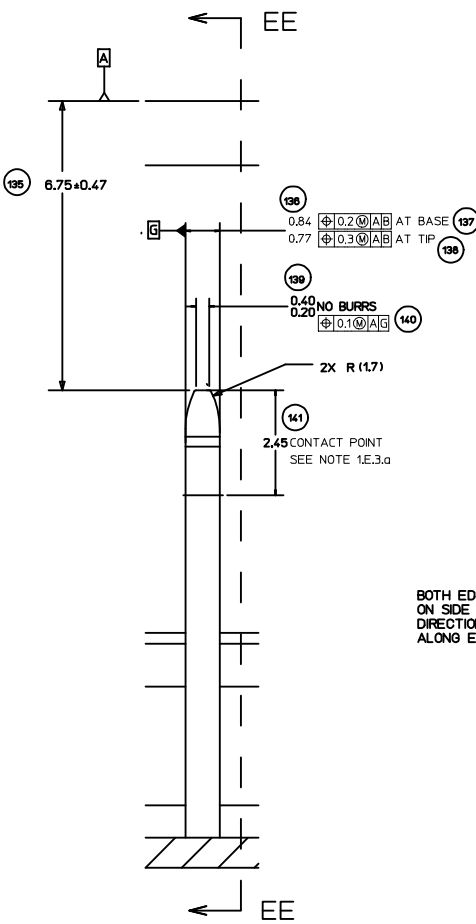
| ENTER DESCRIPTION IEC NO: UAU2017-0870 DRAWN: ACHITALLA 2017/03/27 CHKD: APPR: VKOSHY 2017/03/29 A4 | QUALITY SYMBOLS ∇=0 ∇=0 ∇=0 | GENERAL TOLERANCES (UNLESS SPECIFIED) <table border="1"> <thead> <tr> <th></th> <th>mm</th> <th>INCH</th> </tr> </thead> <tbody> <tr> <td>4 PLACES</td> <td>± 0.15</td> <td>± 0.006</td> </tr> <tr> <td>3 PLACES</td> <td>± 0.20</td> <td>± 0.008</td> </tr> <tr> <td>2 PLACES</td> <td>± 0.25</td> <td>± 0.010</td> </tr> <tr> <td>1 PLACE</td> <td>± 0.30</td> <td>± 0.012</td> </tr> <tr> <td>0 PLACE</td> <td>± 0.40</td> <td>± 0.016</td> </tr> </tbody> </table> ANGULAR ± 1° DRAFT WHERE APPLICABLE MUST REMAIN WITHIN DIMENSIONS | | mm | INCH | 4 PLACES | ± 0.15 | ± 0.006 | 3 PLACES | ± 0.20 | ± 0.008 | 2 PLACES | ± 0.25 | ± 0.010 | 1 PLACE | ± 0.30 | ± 0.012 | 0 PLACE | ± 0.40 | ± 0.016 | DIMENSION STYLE MM ONLY DRAWN BY: SKRAJENDRANA 2016/12/15 CHECKED BY: VKOSHY 2016/12/15 APPROVED BY: VKOSHY 2017/03/03 MATERIAL NO. SEE BOM TABLE SIZE D | SCALE: 1:1 DESIGN UNITS: METRIC THIRD ANGLE PROJECTION | TITLE: ICD - MX123 18/49/56CKT INTERFACE CONNECTION DRW MOLEX DOCUMENT NO. SD-34576-0001 SHEET NO. 18 OF 22 |
|---|--------------------------------------|--|---------|----|------|----------|--------|---------|----------|--------|---------|----------|--------|---------|---------|--------|---------|---------|--------|---------|--|--|---|
| | | mm | INCH | | | | | | | | | | | | | | | | | | | | |
| | 4 PLACES | ± 0.15 | ± 0.006 | | | | | | | | | | | | | | | | | | | | |
| | 3 PLACES | ± 0.20 | ± 0.008 | | | | | | | | | | | | | | | | | | | | |
| 2 PLACES | ± 0.25 | ± 0.010 | | | | | | | | | | | | | | | | | | | | | |
| 1 PLACE | ± 0.30 | ± 0.012 | | | | | | | | | | | | | | | | | | | | | |
| 0 PLACE | ± 0.40 | ± 0.016 | | | | | | | | | | | | | | | | | | | | | |
| molex | | | | | | | | | | | | | | | | | | | | | | | |
| THIS DRAWING CONTAINS INFORMATION THAT IS PROPRIETARY TO MOLEX INCORPORATED AND SHOULD NOT BE USED WITHOUT WRITTEN PERMISSION | | | | | | | | | | | | | | | | | | | | | | | |
| | | | | | | | | | | | | | | | | | | | | | | | |



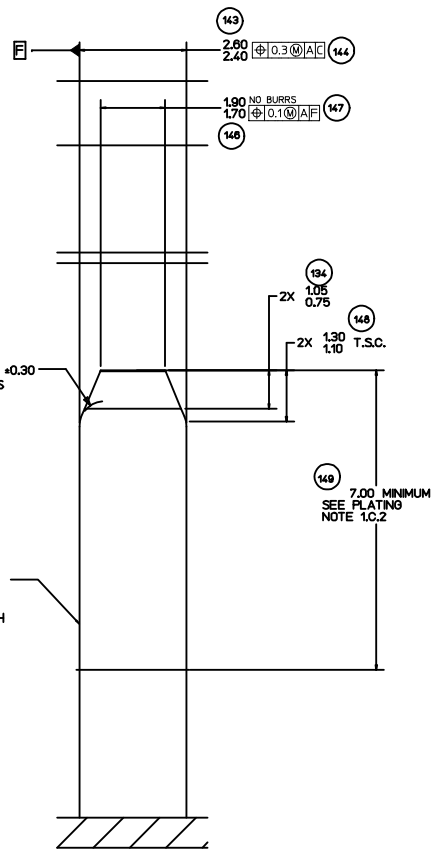
| | | | | | | | |
|---|--|---|-------------------------|------------|-------------------------|------------------------|--|
| ENTER DESCRIPTION IEC NO: UAU2017-0870 DRAWN: CHTALIA 2017/03/27 CHKD: APPR: VKOSHY 2017/03/29 | QUALITY SYMBOLS | GENERAL TOLERANCES (UNLESS SPECIFIED) | DIMENSION STYLE | SCALE | DESIGN UNITS | THIRD ANGLE PROJECTION | |
| | ▽=0 | mm INCH | MM ONLY | 1:1 | METRIC | | |
| | ▽=0 | 4 PLACES ± --- + --- | DRAWN BY | DATE | TITLE | | |
| | ▽=0 | 3 PLACES ± --- + --- | SKRAJENDRANA 2016/12/15 | 2016/12/15 | ICD - MX123 18/49/56CKT | | |
| | 2 PLACES ± 0.13 ± --- | CHECKED BY | DATE | | | | |
| | 1 PLACE ± 0.25 ± --- | VKOSHY 2016/12/15 | | | | | |
| | 0 PLACE ± --- ± --- | APPROVED BY | DATE | | | | |
| | | VKOSHY 2017/03/03 | | | | | |
| | ANGULAR ± 1 ° | MATERIAL NO. | DOCUMENT NO. | | | | |
| | DRAFT WHERE APPLICABLE MUST REMAIN WITHIN DIMENSIONS | SEE BOM TABLE | SD-34576-0001 | | | | |
| | | SIZE | | | | | |
| | | THIS DRAWING CONTAINS INFORMATION THAT IS PROPRIETARY TO MOLEX INCORPORATED AND SHOULD NOT BE USED WITHOUT WRITTEN PERMISSION | | | | | |



SECTION CC-CC



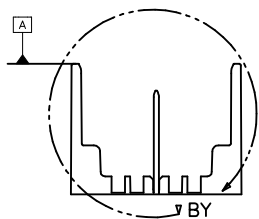
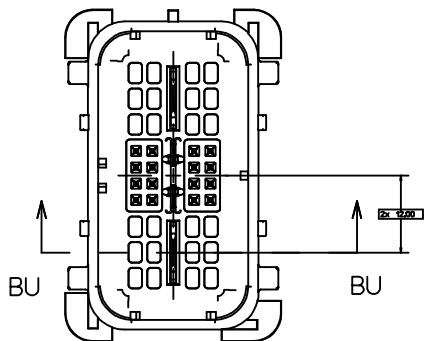
DETAIL DD TYPICAL



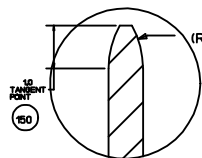
SECTION EE-EE TYPICAL

BOTH EDGES COINED ON SIDE OPPOSITE DIRECTION OF PUNCH ALONG ENTIRE LENGTH

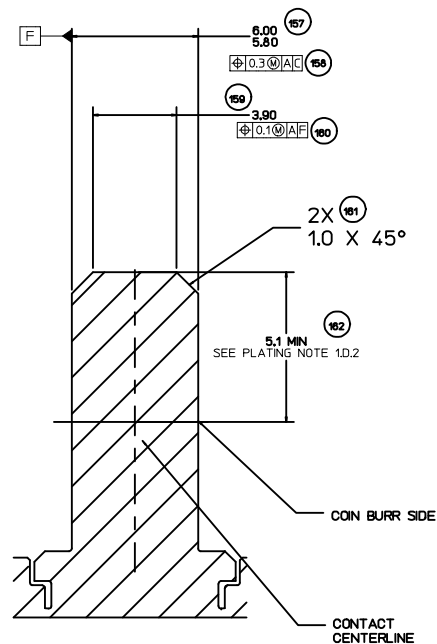
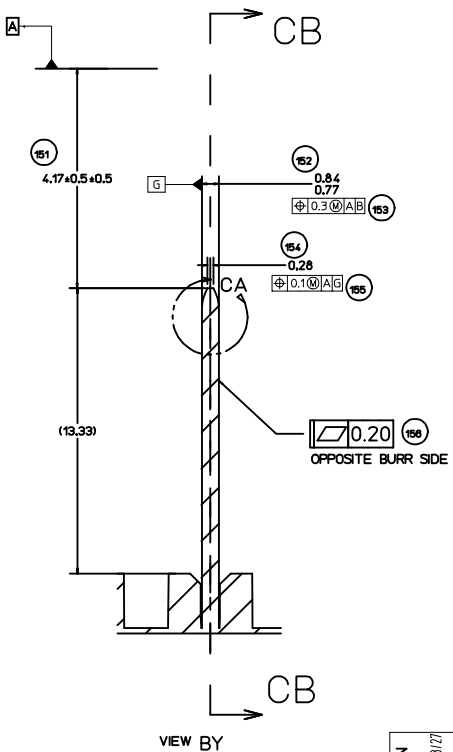
| | | | | | | | | | |
|---|---|---|---|--|--|-------------------------------|-------------------------------|-----------------------|--|
| ENTER DESCRIPTION IEC NO: UAU2017-0870 DRAWN: CHITALLA CHKD: APPR: VKOSHY 2017/03/27 2017/03/29 A4 | QUALITY SYMBOLS ▽=0 ▽=0 ▽=0 | GENERAL TOLERANCES (UNLESS SPECIFIED) mm INCH 4 PLACES ± --- ± --- 3 PLACES ± --- ± --- 2 PLACES ± 0.13 ± --- 1 PLACE ± 0.25 ± --- 0 PLACE ± --- ± --- ANGULAR ± 1 ° DRAFT WHERE APPLICABLE MUST REMAIN WITHIN DIMENSIONS | DIMENSION STYLE MM ONLY DRAWN BY DATE SKRAJENDRANA 2016/12/15 CHECKED BY DATE VKOSHY 2016/12/15 APPROVED BY DATE VKOSHY 2017/03/03 | SCALE 1:1 DESIGN UNITS METRIC THIRD ANGLE PROJECTION | TITLE ICD - MX123 18/49/56CKT INTERFACE CONNECTION DRW MOLEX molex | MATERIAL NO. SEE BOM TABLE | DOCUMENT NO. SD-34576-0001 | SHEET NO. 20 OF 22 | |
| | THIS DRAWING CONTAINS INFORMATION THAT IS PROPRIETARY TO MOLEX INCORPORATED AND SHOULD NOT BE USED WITHOUT WRITTEN PERMISSION | | | | | | | | |
| | SIZE D | | | | | | | | |
| | ICD - MX123 18/49/56CKT INTERFACE CONNECTION DRW MOLEX | | | | | | | | |



SECTION BU-BU



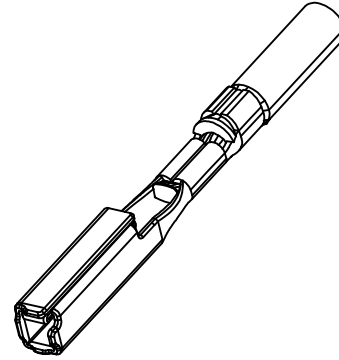
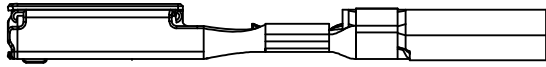
VIEW CA
SCALE 10:1



SECTION CB-CB

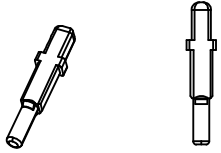
| | | | | | | | |
|--|---|--|----------------------|---|-------------------------------|--|-----------------------|
| ENTER DESCRIPTION IEC NO: UAU2017-0870 DRAWN: ITALIA 2017/03/27 CHKD: APPR: VKOSHY 2017/03/29 REV: | QUALITY SYMBOLS | GENERAL TOLERANCES (UNLESS SPECIFIED) | DIMENSION STYLE | SCALE | DESIGN UNITS | THIRD ANGLE PROJECTION | |
| | ∇=0 ∇=0 ∇=0 | mm INCH 4 PLACES #--- #--- 3 PLACES #--- #--- 2 PLACES #0.13 #--- 1 PLACE #0.25 #--- 0 PLACE #--- #--- | MM ONLY | 1:1 | METRIC | SKRA JENDRANA 2016/12/15 VKOSHY 2016/12/15 VKOSHY 2017/03/03 | |
| | ANGULAR ± 1 ° DRAFT WHERE APPLICABLE MUST REMAIN WITHIN DIMENSIONS | SEE BOM TABLE D THIS DRAWING CONTAINS INFORMATION THAT IS PROPRIETARY TO MOLEX INCORPORATED AND SHOULD NOT BE USED WITHOUT WRITTEN PERMISSION | DATE DATE DATE | TITLE ICD - MX123 18/49/56CKT INTERFACE CONNECTION DRW MOLEX | MATERIAL NO. SD-34576-0001 | DOCUMENT NO. SD-34576-0001 | SHEET NO. 21 OF 22 |
| | A4 | SIZE D | MOLEX | MOLEX | MOLEX | MOLEX | MOLEX |

| MOLEX MX64 RECEPTACLE TERMINAL INFORMATION | | | | | | |
|--|------------|---------------|------|---------|---------------------|----------|
| ITEM | MOLEX P/N | WIRE SIZE MM2 | TYPE | PLATING | REEL WIND DIRECTION | COMMENTS |
| 1 | 34736-0025 | 0.35 | ISO | SILVER | LEFT | |
| 2 | 34736-0026 | 0.35 | ISO | SILVER | RIGHT | |
| 3 | 34736-0027 | 0.5 / 0.75 | ISO | SILVER | LEFT | |
| 4 | 34736-0028 | 0.5 / 0.75 | ISO | SILVER | RIGHT | |



| CAVITY PLUGS | | | | | | | | |
|--------------|--------|--------------|------|---------|--------------|----------------|--------------|----------|
| ITEM | MFG | MFG P/N | SIZE | COLOR | MFG DRAWING | PROD SPEC | APP SPEC | COMMENTS |
| 1 | MOLEX | 34586-0001 | 0.64 | NATURAL | SD-34586-001 | PS-34566-0000 | AS-34566-001 | |
| 2 | YAZAKI | 7158-3114-90 | 2.8 | BLUE | 7158-3114-90 | YPES-11-04-062 | YPES-15-299 | |

ITEM 1



ITEM 2

| | | | | | | |
|--|-----------------|--|-----------------|--------------------------|--------------|------------------------|
| ENTER DESCRIPTION EEC NO: UAU2017-0870 DRAWN: ITALIA 2017/03/27 CHKD: APPR: VKOSHY 2017/03/29 REV DESCRIPTION | QUALITY SYMBOLS | GENERAL TOLERANCES (UNLESS SPECIFIED) | DIMENSION STYLE | SCALE | DESIGN UNITS | THIRD ANGLE PROJECTION |
| | ▽=0 | 4 PLACES ± mm INCH | MM ONLY | 1:1 | METRIC | ☉ |
| | ▽=0 | 3 PLACES ± 0.13 | SEE BOM TABLE | | | |
| | ▽=0 | 1 PLACE ± 0.25 | ANGULAR ± 1° | | | |
| DRAFT WHERE APPLICABLE MUST REMAIN WITHIN DIMENSIONS | | MATERIAL NO. DOCUMENT NO. | | DRAWN BY DATE | | SHEET NO. |
| SIZE A4 | | SD-34576-0001 | | SKRA JENDRANA 2016/12/15 | | 22 OF 22 |
| | | INCORPORATED AND SHOULD NOT BE USED WITHOUT WRITTEN PERMISSION | | DATE | | |
| | | INCORPORATED AND SHOULD NOT BE USED WITHOUT WRITTEN PERMISSION | | 2016/12/15 | | |
| | | INCORPORATED AND SHOULD NOT BE USED WITHOUT WRITTEN PERMISSION | | DATE | | |
| | | INCORPORATED AND SHOULD NOT BE USED WITHOUT WRITTEN PERMISSION | | 2017/03/03 | | |

ICD - MX123 18/49/56CKT
INTERFACE CONNECTION DRW
MOLEX

