

Turned contacts turned crimp male contact for wire 16mm²

Part No. VN01 036 0021 1C



Series Contacts

Subseries Contact Turned contacts

15.11.2012

COMMON CHARACTERISTICS		
Wire gauge from		16
Wire gauge (AWG) from		6
Packaging / supplied as		Single contact
No. of pieces		100
Sex of Contact		Pin
Type of contact		Turned crimp contact
ELECTRICAL CHARACTERISTICS		
Contact resistance	DIN EN 60512-2-1, Test 2a / IEC 60512-2-1, Test 2a	0 m

Turned contacts turned crimp male contact for wire 16mm²

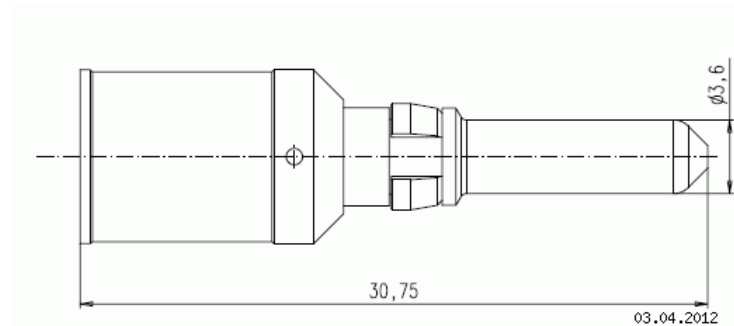
Part No. VN01 036 0021 1C

Series Contacts

Subseries Contact Turned contacts



15.11.2012



Drawing Dimensions in mm (Inch)

03.04.2012