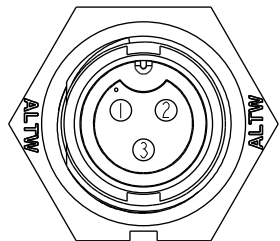
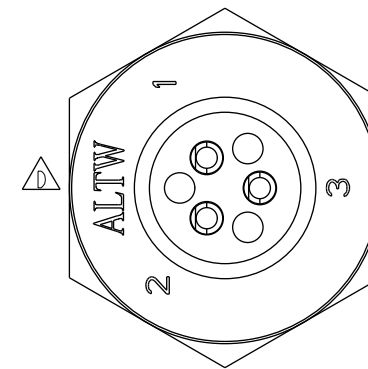
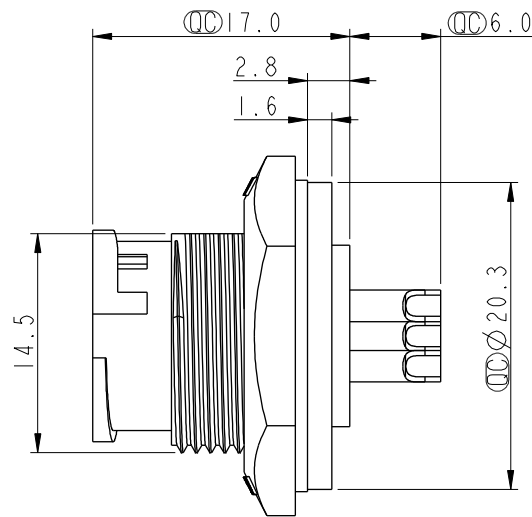
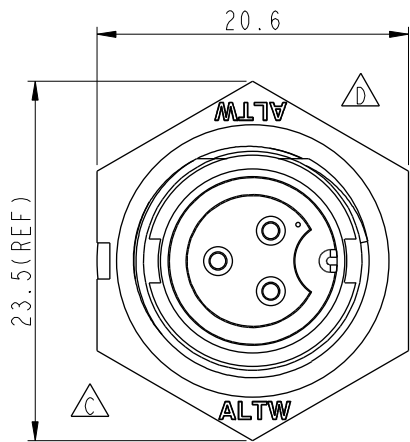
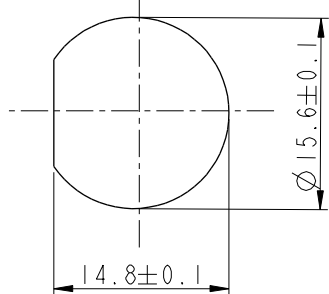


ALTW  
 CONFIDENTIAL  
 2019-02-22  
 R&D DEPT.

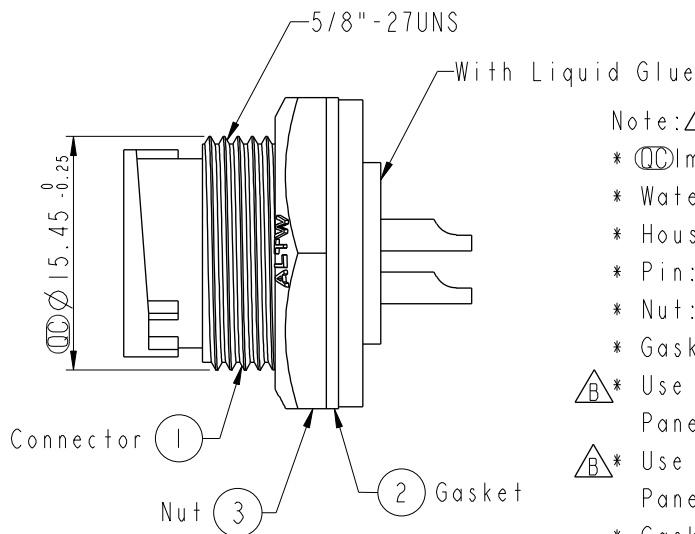
REV.	ECN NO.	DATE	SIGN	DESCRIPTION
C	LE3-8C0065	2008/11/07	TOMMY	Change To Pin Hole
D	LEN1730295	2017/03/21	Ruru	Change Logo
E	CI90274	2019/02/22	Ruru	Modify Note



Pin Assignments  
 Front View



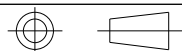
Recommended Panel Cut-out



Note:  $\triangle$

- \*  $\text{CC}$  Important Dimension To Check.
- \* Waterproof Rate: IP67, Unmated
- \* Housing: Thermoplastic, Black
- \* Pin: Copper Alloy, Gold Plated
- \* Nut: Thermoplastic, Black
- \* Gasket: Rubber, Black
- $\triangle$  \* Use With Waterproof Cap Or Dust Cap  
 Panel Thickness Max: 3.0mm
- $\triangle$  \* Use Without Waterproof Cap Or Dust Cap  
 Panel Thickness Max: 4.5mm
- \* Gasket and Nut are packed separately  
 in PE bags.

UNIT: mm



TOLERANCE	
.X	±0.25
.XX	±0.1
.XXX	±0.05
ANGLES	±1°

TITLE Standard Panel Lock 3Pin M Conn F Pin			
SCALE 2:1	SIZE A4	SHEET 1 OF 1	
REV. E	WC-REV. A.3	$\text{CC}$ : Inspection item	

**Amphenol LTW**  
 安費諾亮泰企業股份有限公司

ITEM NO BD-03PMFS-LC7001	DRAWN BY Ruru	DATE 2019-02-22
DWG NO BD-03PMFS-LC7001	CHECKED BY Rita	DATE 2019-02-22
CUSTOMER ALTW	APPROVED BY Max	DATE 2019-02-22

THIS DOCUMENT IS SUBJECT TO CHANGE WITHOUT NOTICE. IT IS CONFIDENTIAL AND A PROPERTY OF Amphenol LTW. DISCLOSURE TO THIRD PARTY HAS TO BE AUTHORIZED BY Amphenol LTW.