

ADS794x Ultra-Low Power, 12-, 10-, and 8-Bit, Dual-Channel, SAR ADCs

1 Features

- Sample rate: 2 MSPS
- Pin-compatible family: 12-, 10-, 8-bit
- High resolution, high throughput:
 - ADS7947: 12 bit, 2.1 MSPS
 - ADS7948: 10 bit, 2.57 MSPS
 - ADS7949: 8 bit, 3 MSPS
- Excellent performance:
 - No missing codes
 - INL: 1 LSB (max)
 - SNR: 72 dB (min)
- Low power:
 - 7.5 mW at 2-MSPS operation
 - Auto power-down at lower speeds:
 - 3.8 mW at 500 kSPS
 - 0.8 mW at 100 kSPS
 - 0.16 mW at 20 kSPS
- Wide supply range:
 - Analog: 2.7 V to 5.5 V
 - Digital: 1.65 V to AVDD
- SPI-compatible serial interface
- Extended temperature range: –40°C to +125°C
- Tiny footprint: 3-mm × 3-mm WQFN

2 Applications

- Communication systems
- Optical networking
- Medical instrumentation
- Battery-powered equipment
- Data acquisition systems

3 Description

The ADS7947, ADS7948, and ADS7949 are pin-compatible 12-bit, 10-bit, and 8-bit, 2-MSPS, analog-to-digital converters (ADCs), respectively. The devices operate at a 2-MSPS sample rate with a standard 16 clock data frame. In addition, the ADS7947 (12-bit) can be operated at 2.1 MSPS, the ADS7948 (10-bit) at 2.57 MSPS, and the ADS7949 (8-bit) at 3 MSPS with a short data frame optimized for the number of clocks sufficient for conversion with no drop in performance. The devices feature both outstanding dc precision and excellent dynamic performance. This family of pin-compatible devices includes a two-channel input multiplexer and a low-power successive approximation register (SAR) ADC.

The ADS7947, ADS7948, and ADS7949 support a wide analog supply range that supports the full-scale input range up to 5 V. A simple SPI digital interface, with a digital supply that can operate as low as 1.65 V, allows for easy interfacing to a wide variety of digital controllers. Automatic power-down can be enabled when operating at slower speeds to dramatically reduce power consumption.

Offered in a tiny 3-mm × 3-mm WQFN package, the ADS7947, ADS7948, and ADS7949 are fully specified over the extended temperature range of –40°C to +125°C and are suitable for a wide variety of data acquisition applications where high performance, low power, and small size are key.

Device Information⁽¹⁾

PART NUMBER	PACKAGE	BODY SIZE (NOM)
ADS794x	WQFN (16)	3.00 mm × 3.00 mm

(1) For all available packages, see the orderable addendum at the end of the data sheet.

ADS794x Block Diagram

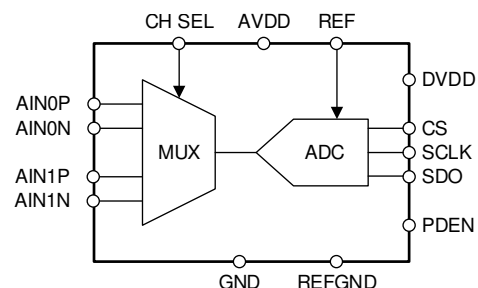


Table of Contents

1 Features	1	8.1 Overview	20
2 Applications	1	8.2 Functional Block Diagram	20
3 Description	1	8.3 Feature Description	20
4 Revision History	2	8.4 Device Functional Modes	25
5 Device Comparison Table	4	8.5 Programming	26
6 Pin Configuration and Functions	4	9 Application and Implementation	28
7 Specifications	5	9.1 Application Information	28
7.1 Absolute Maximum Ratings	5	10 Power Supply Recommendations	30
7.2 ESD Ratings	5	11 Layout	31
7.3 Recommended Operating Conditions: ADS794x (12-, 10-, 8-Bit)	5	11.1 Layout Guidelines	31
7.4 Thermal Information	6	11.2 Layout Example	32
7.5 Electrical Characteristics: ADS7947 (12-Bit)	6	12 Device and Documentation Support	33
7.6 Electrical Characteristics: ADS7948 (10-Bit)	8	12.1 Related Links	33
7.7 Electrical Characteristics: ADS7949 (8-Bit)	10	12.2 Receiving Notification of Documentation Updates	33
7.8 Timing Requirements	11	12.3 Community Resources	33
7.9 Switching Characteristics	12	12.4 Trademarks	33
7.10 Typical Characteristics: ADS7947, ADS7948, ADS7949	13	12.5 Electrostatic Discharge Caution	33
7.11 Typical Characteristics: ADS7947 (12-Bit)	14	12.6 Glossary	33
8 Detailed Description	20	13 Mechanical, Packaging, and Orderable Information	33

4 Revision History

NOTE: Page numbers for previous revisions may differ from page numbers in the current version.

Changes from Original (September 2010) to Revision A	Page
• Added <i>Device Information</i> table, <i>ESD Ratings</i> table, <i>Recommended Operating Conditions</i> table, <i>Switching Characteristics</i> table, <i>Functional Block Diagram</i> section, <i>Feature Description</i> section, <i>Device Functional Modes</i> section, <i>Programming</i> section, <i>Application and Implementation</i> section, <i>Power Supply Recommendations</i> section, <i>Layout</i> section, <i>Device and Documentation Support</i> section, and <i>Mechanical, Packaging, and Orderable Information</i> section	1
• Changed document title	1
• Changed QFN to WQFN throughout document	1
• Added <i>High resolution, high throughput</i> : Features bullet	1
• Changed temperature range Features bullet from <i>Fully Specified</i> from to <i>Extended temperature range</i>	1
• Changed <i>Description</i> section for clarity and changed <i>ADC with an inherent sample-and-hold (S/H) input stage</i> to <i>ADC</i>	1
• Changed page 1 figure and added title	1
• Changed title of <i>Family and Ordering Information</i> to <i>Device Comparison Table</i>	4
• Changed thermal symbols for $R_{\theta JA}$, $R_{\theta JC(top)}$, $R_{\theta JB}$, and $R_{\theta JC(bot)}$	6
• Deleted <i>Full-scale input span</i> , <i>Absolute input range</i> , <i>External Reference</i> , <i>AVDD</i> , and <i>DVDD</i> parameters and <i>Temperature Range</i> section from <i>Electrical Characteristics: ADS7947 (12-Bit)</i> table	6
• Deleted <i>Full-scale input span</i> , <i>Absolute input range</i> , <i>External Reference</i> , <i>AVDD</i> , and <i>DVDD</i> parameters and <i>Temperature Range</i> section from <i>Electrical Characteristics: ADS7948 (10-Bit)</i> table	8
• Deleted <i>Full-scale input span</i> , <i>Absolute input range</i> , <i>External Reference</i> , <i>AVDD</i> , and <i>DVDD</i> parameters and <i>Temperature Range</i> section from <i>Electrical Characteristics: ADS7949 (8-Bit)</i> table	10
• Changed <i>Timing Requirements</i> table: added section titles, moved switching parameters into <i>Switching Characteristics</i> table	11
• Changed symbol for <i>Pulse duration</i> , <i>SCLK low</i> parameter from t_{W1} to t_{WL}	11
• Added symbol to <i>SCLK frequency</i> parameter	11
• Changed title of <i>PCB Layout/Schematic Guidelines</i> to <i>Layout</i> and changed format of section	31

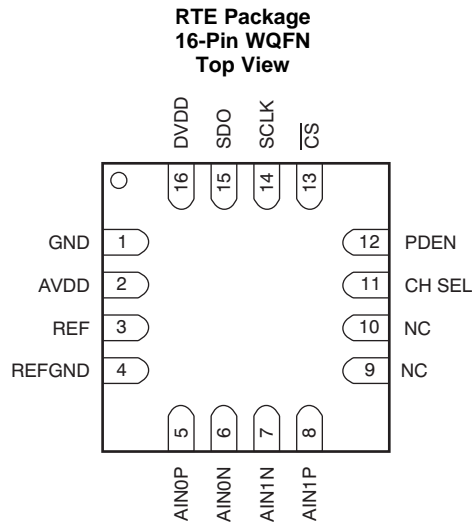
Revision History (continued)

- Changed *Recommended ADC Schematic* figure 31
-

5 Device Comparison Table

PRODUCT	RESOLUTION (Bits)	INPUT	SAMPLE RATE (MSPS)
ADS7947	12	Unipolar, pseudo-differential	2
ADS7948	10	Unipolar, pseudo-differential	2
ADS7949	8	Unipolar, pseudo-differential	2

6 Pin Configuration and Functions



Pin Functions

PIN NO.	PIN NAME	FUNCTION	DESCRIPTION
1	GND	Analog/digital	Power supply ground; all analog and digital signals are referred with respect to this pin.
2	AVDD	Analog	ADC power supply.
3	REF	Analog	ADC positive reference input; decouple this pin with REFGND.
4	REFGND	Analog	Reference return; short to analog ground plane.
5	AIN0P	Analog input	Positive analog input, channel 0.
6	AIN0N	Analog input	Negative analog input, channel 0. The allowable signal swing on this pin is $\pm 0.2V$; this pin can be grounded.
7	AIN1N	Analog input	Negative analog input, channel 1. The allowable signal swing on this pin is $\pm 0.2V$; this pin can be grounded.
8	AIN1P	Analog input	Positive analog input, channel 1.
9	NC	—	Not connected internally, TI recommends externally shorting this pin to GND.
10	NC	—	Not connected internally, TI recommends externally shorting this pin to GND.
11	CH SEL	Digital input	This pin selects the analog input channel. Low = channel 0, high = channel 1. TI recommends changing the channel within a window of one clock; from half a clock after the \overline{CS} falling edge. This change ensures the settling on the multiplexer output before the sample start.
12	PDEN	Digital input	This pin enables a power-down feature if this pin is high at the \overline{CS} rising edge.
13	\overline{CS}	Digital input	Chip-select signal; active low.
14	SCLK	Digital input	Serial SPI clock.
15	SDO	Digital output	Serial data out.
16	DVDD	Digital	Digital I/O supply.

7 Specifications

7.1 Absolute Maximum Ratings

over operating free-air temperature range (unless otherwise noted)⁽¹⁾

		MIN	MAX	UNIT
AINxP to GND or AINxN to GND		-0.3	AVDD + 0.3	V
AVDD to GND or DVDD to GND		-0.3	7	V
Digital input voltage to GND		-0.3	DVDD + 0.3	V
Digital output to GND		-0.3	DVDD + 0.3	V
Temperature	Operating	-40	125	°C
	Storage, T _{stg}	-65	150	°C

- (1) Stresses beyond those listed under *Absolute Maximum Ratings* may cause permanent damage to the device. These are stress ratings only, which do not imply functional operation of the device at these or any other conditions beyond those indicated under *Recommended Operating Conditions*. Exposure to absolute-maximum-rated conditions for extended periods may affect device reliability.

7.2 ESD Ratings

			VALUE	UNIT
V _(ESD)	Electrostatic discharge	Human-body model (HBM), per ANSI/ESDA/JEDEC JS-001 ⁽¹⁾	±2000	V
		Charged-device model (CDM), per JEDEC specification JESD22-C101 ⁽²⁾	±500	

- (1) JEDEC document JEP155 states that 500-V HBM allows safe manufacturing with a standard ESD control process.
(2) JEDEC document JEP157 states that 250-V CDM allows safe manufacturing with a standard ESD control process.

7.3 Recommended Operating Conditions: ADS794x (12-, 10-, 8-Bit)

over operating free-air temperature range (unless otherwise noted)

PARAMETER		MIN	NOM	MAX	UNIT
POWER SUPPLY					
AVDD	Analog supply voltage	2.7	3.3	5.5	V
DVDD	Digital supply voltage	1.65	3.3	AVDD	V
REFERENCE INPUT					
V _{REF}	External reference input	2.5		AVDD	V
ANALOG INPUTS					
FSR	Full-scale input span ⁽¹⁾	AINxP – AINxN		V _{REF}	V
V _{IN}	Absolute input range	AIN0P, AIN1P		AVDD + 0.2	V
		AIN0N, AIN1M		0.2	
TEMPERATURE RANGE					
Temperature range for specified performance		-40		125	°C

- (1) Ideal input span; does not include gain or offset error.

7.4 Thermal Information

THERMAL METRIC ⁽¹⁾		ADS794x	
		RTE (WQFN)	
		16 PINS	
UNIT			
R _{θJA}	Junction-to-ambient thermal resistance	54.3	°C/W
R _{θJC(top)}	Junction-to-case (top) thermal resistance	53.7	°C/W
R _{θJB}	Junction-to-board thermal resistance	19.2	°C/W
ψ _{JT}	Junction-to-top characterization parameter	0.3	°C/W
ψ _{JB}	Junction-to-board characterization parameter	14.5	°C/W
R _{θJC(bot)}	Junction-to-case (bottom) thermal resistance	5.2	°C/W

(1) For more information about traditional and new thermal metrics, see the [Semiconductor and IC Package Thermal Metrics application report](#).

7.5 Electrical Characteristics: ADS7947 (12-Bit)

minimum and maximum values at AVDD = 2.7 V to 5.5 V, DVDD = 1.65 V to AVDD, T_A = –40°C to +125°C, and f_{SAMPLE} = 2 MSPS (unless otherwise noted); typical values at AVDD = 3 V, DVDD = 1.8 V, T_A = +25°C, and f_{SAMPLE} = 2 MSPS

PARAMETER	TEST CONDITIONS	MIN	TYP	MAX	UNIT
ANALOG INPUT					
Input capacitance ⁽¹⁾			32		pF
Input leakage current	At +125°C		1.5		nA
SYSTEM PERFORMANCE					
Resolution			12		Bits
No missing codes		12			Bits
Integral linearity		–1	±0.3	1	LSB ⁽²⁾
Differential linearity		–1	±0.3	1	LSB
Offset error ⁽³⁾		–1	±0.3	1	LSB
Gain error		–1	±0.3	1	LSB
Transition noise				25	μV _{RMS}
Power-supply rejection			60		dB
SAMPLING DYNAMICS					
Conversion time				13.5	SCLK
Acquisition time		80			ns
Maximum sample rate (throughput rate)	34-MHz SCLK with a 16-clock frame			2	MSPS
	34-MHz SCLK and \overline{CS} low for 13.5 clocks			2.1	MSPS
Aperture delay				5	ns
Aperture jitter			10		ps
Step response			80		ns
Overshoot recovery			80		ns
DYNAMIC CHARACTERISTICS					
Total harmonic distortion (THD) ⁽⁴⁾	100kHz		–85		dB
Signal-to-noise ratio (SNR)	100 kHz	72	73		dB
Signal-to-noise and distortion ratio (SINAD)	100 kHz		72.75		dB
Spurious-free dynamic range (SFDR)	100 kHz		86		dB
Full-power bandwidth	At –3 dB		15		MHz
DIGITAL INPUT/OUTPUT					
Logic family	CMOS				

(1) See [Figure 40](#) for sampling circuit details.

(2) LSB means least significant bit.

(3) Measured relative to an ideal full-scale input.

(4) Calculated on the first nine harmonics of the input frequency.

Electrical Characteristics: ADS7947 (12-Bit) (continued)

minimum and maximum values at AVDD = 2.7 V to 5.5 V, DVDD = 1.65 V to AVDD, T_A = –40°C to +125°C, and f_{SAMPLE} = 2 MSPS (unless otherwise noted); typical values at AVDD = 3 V, DVDD = 1.8 V, T_A = +25°C, and f_{SAMPLE} = 2 MSPS

PARAMETER		TEST CONDITIONS	MIN	TYP	MAX	UNIT
Logic level	V _{IH}		0.7DVDD			V
	V _{IL}				0.3DVDD	V
	V _{OH}	I _{SOURCE} = 200 μA	DVDD – 0.2			V
	V _{OL}	I _{SINK} = 200 μA	0.4			V
Input leakage current	I _{IH} , I _{IL}	0 < V _{IN} < DVDD		±20		nA
POWER-SUPPLY REQUIREMENTS						
AVDD supply current	I _{DYNAMIC}	AVDD = 3.3 V, f _{SAMPLE} = 2 MSPS		2.5		mA
		AVDD = 5 V, f _{SAMPLE} = 2 MSPS		3	3.5	mA
	I _{STATIC}	AVDD = 3.3 V, SCLK off		1.8		mA
		AVDD = 5 V, SCLK off		1.9	2.5	mA
DVDD supply current ⁽⁵⁾		DVDD = 3.3 V, SCLK = 34 MHz, SDO load 20 pF		500		μA
Power-down state AVDD supply current	I _{PD-DYNAMIC}	SCLK = 34 MHz			550	μA
	I _{PD-STATIC}	SCLK off			2.5	μA
Power-up time					1	μs

(5) DVDD consumes only dynamic current. I_{DVDD} = C_{LOAD} × DVDD × number of 0→1 transitions in SDO × f_{SAMPLE}. This current is load-dependent and there is no DVDD current when the output is not toggling.

7.6 Electrical Characteristics: ADS7948 (10-Bit)

minimum and maximum values at AVDD = 2.7 V to 5.5 V, DVDD = 1.65 V to AVDD, T_A = –40°C to +125°C, and f_{SAMPLE} = 2 MSPS (unless otherwise noted); typical values at AVDD = 3 V, DVDD = 1.8 V, T_A = +25°C, and f_{SAMPLE} = 2 MSPS

PARAMETER		TEST CONDITIONS	MIN	TYP	MAX	UNIT
ANALOG INPUT						
Input capacitance ⁽¹⁾				32		pF
Input leakage current		At +125°C		1.5		nA
SYSTEM PERFORMANCE						
Resolution				10		Bits
No missing codes			10			Bits
Integral linearity			–0.5	±0.15	0.5	LSB ⁽²⁾
Differential linearity			–0.5	±0.15	0.5	LSB
Offset error ⁽³⁾			–0.5	±0.15	0.5	LSB
Gain error			–0.5	±0.15	0.5	LSB
Transition noise					25	μV _{RMS}
Power-supply rejection				60		dB
SAMPLING DYNAMICS						
Conversion time					10.5	SCLK
Acquisition time			80			ns
Maximum sample rate (throughput rate)		34-MHz SCLK in 16-clock frame			2	MSPS
		34-MHz SCLK and \overline{CS} low for 10.5 clocks			2.57	MSPS
Aperture delay					5	ns
Aperture jitter				10		ps
Step response				80		ns
Overvoltage recovery				80		ns
DYNAMIC CHARACTERISTICS						
Total harmonic distortion (THD) ⁽⁴⁾		100kHz		–80		dB
Signal-to-noise ratio (SNR)		100 kHz	61			dB
Signal-to-noise and distortion ratio (SINAD)		100 kHz		61		dB
Spurious-free dynamic range (SFDR)		100 kHz		81		dB
Full-power bandwidth		At –3 dB		15		MHz
DIGITAL INPUT/OUTPUT						
Logic family		CMOS				
Logic level	V _{IH}		0.7DVDD			V
	V _{IL}			0.3DVDD		V
	V _{OH}	I _{SOURCE} = 200 μA	DVDD – 0.2			V
	V _{OL}	I _{SINK} = 200 μA	0.4			V
Input leakage current		I _{IH} , I _{IL}	0 < V _{IN} < DVDD		±20	nA

(1) See [Figure 40](#) for sampling circuit details.

(2) LSB means least significant bit.

(3) Measured relative to an ideal full-scale input.

(4) Calculated on the first nine harmonics of the input frequency.

Electrical Characteristics: ADS7948 (10-Bit) (continued)

minimum and maximum values at AVDD = 2.7 V to 5.5 V, DVDD = 1.65 V to AVDD, $T_A = -40^{\circ}\text{C}$ to $+125^{\circ}\text{C}$, and $f_{\text{SAMPLE}} = 2$ MSPS (unless otherwise noted); typical values at AVDD = 3 V, DVDD = 1.8 V, $T_A = +25^{\circ}\text{C}$, and $f_{\text{SAMPLE}} = 2$ MSPS

PARAMETER		TEST CONDITIONS	MIN	TYP	MAX	UNIT
POWER-SUPPLY REQUIREMENTS						
AVDD supply current	I _{DYNAMIC}	AVDD = 3.3 V, $f_{\text{SAMPLE}} = 2$ MSPS		2.5		mA
		AVDD = 5 V, $f_{\text{SAMPLE}} = 2$ MSPS		3	3.5	mA
	I _{STATIC}	AVDD = 3.3 V, SCLK off		1.8		mA
		AVDD = 5 V, SCLK off		1.9	2.5	mA
DVDD supply current ⁽⁵⁾		DVDD = 3.3 V, SCLK = 34 MHz, SDO load 20 pF		500		μA
Power-down state AVDD supply current	I _{PD-DYNAMIC}	SCLK = 34 MHz			550	μA
	I _{PD-STATIC}	SCLK off			2.5	μA
Power-up time					1	μs

(5) DVDD consumes only dynamic current. $I_{\text{DVDD}} = C_{\text{LOAD}} \times \text{DVDD} \times \text{number of } 0 \rightarrow 1 \text{ transitions in SDO} \times f_{\text{SAMPLE}}$. This current is load-dependent and there is no DVDD current when the output is not toggling.

7.7 Electrical Characteristics: ADS7949 (8-Bit)

minimum and maximum values at AVDD = 2.7 V to 5.5 V, DVDD = 1.65 V to AVDD, TA = –40°C to +125°C, and fSAMPLE = 2 MSPS (unless otherwise noted); typical values at AVDD = 3 V, DVDD = 1.8 V, TA = +25°C, and fSAMPLE = 2 MSPS

PARAMETER		TEST CONDITIONS	MIN	TYP	MAX	UNIT
ANALOG INPUT						
Input capacitance ⁽¹⁾				32		pF
Input leakage current		At +125°C		1.5		nA
SYSTEM PERFORMANCE						
Resolution				8		Bits
No missing codes			8			Bits
Integral linearity			–0.3	±0.06	0.3	LSB ⁽²⁾
Differential linearity			–0.3	±0.06	0.3	LSB
Offset error ⁽³⁾			–0.3	±0.06	0.3	LSB
Gain error			–0.3	±0.06	0.3	LSB
Transition noise					25	μVRMS
Power-supply rejection				60		dB
SAMPLING DYNAMICS						
Conversion time					8.5	SCLK
Acquisition time			80			ns
Maximum sample rate (throughput rate)		34-MHz SCLK in 16-clock frame			2	MSPS
		34-MHz SCLK and \overline{CS} low for 8.5 clocks			3	MSPS
Aperture delay					5	ns
Aperture jitter				10		ps
Step response				80		ns
Overvoltage recovery				80		ns
DYNAMIC CHARACTERISTICS						
Total harmonic distortion (THD) ⁽⁴⁾		100 kHz		–80		dB
Signal-to-noise ratio (SNR)		100 kHz	49			dB
Signal-to-noise and distortion ratio (SINAD)		100 kHz		49		dB
Spurious-free dynamic range (SFDR)		100 kHz		81		dB
Full-power bandwidth		At –3 dB		15		MHz
DIGITAL INPUT/OUTPUT						
Logic family		CMOS				
Logic level	V _{IH}		0.7DVDD			V
	V _{IL}			0.3DVDD		V
	V _{OH}	I _{SOURCE} = 200 μA	DVDD – 0.2			V
	V _{OL}	I _{SINK} = 200 μA	0.4			V
Input leakage current		I _{IH} , I _{IL}	0 < V _{IN} < DVDD		±20	nA

(1) See Figure 40 for sampling circuit details.

(2) LSB means least significant bit.

(3) Measured relative to an ideal full-scale input.

(4) Calculated on the first nine harmonics of the input frequency.

Electrical Characteristics: ADS7949 (8-Bit) (continued)

minimum and maximum values at AVDD = 2.7 V to 5.5 V, DVDD = 1.65 V to AVDD, T_A = –40°C to +125°C, and f_{SAMPLE} = 2 MSPS (unless otherwise noted); typical values at AVDD = 3 V, DVDD = 1.8 V, T_A = +25°C, and f_{SAMPLE} = 2 MSPS

PARAMETER		TEST CONDITIONS	MIN	TYP	MAX	UNIT
POWER-SUPPLY REQUIREMENTS						
AVDD supply current	I _{DYNAMIC}	AVDD = 3.3 V, f _{SAMPLE} = 2 MSPS		2.5		mA
		AVDD = 5 V, f _{SAMPLE} = 2 MSPS		3	3.5	mA
	I _{STATIC}	AVDD = 3.3 V, SCLK off		1.8		mA
		AVDD = 5 V, SCLK off		1.9	2.5	mA
DVDD supply current ⁽⁵⁾		DVDD = 3.3 V, SCLK = 34 MHz, SDO load 20 pF		500		μA
Power-down state AVDD supply current	I _{PD-DYNAMIC}	SCLK = 34 MHz			550	μA
	I _{PD-STATIC}	SCLK off			2.5	μA
Power-up time					1	μs

(5) DVDD consumes only dynamic current. I_{DVDD} = C_{LOAD} × DVDD × number of 0→1 transitions in SDO × f_{SAMPLE}. This current is load-dependent and there is no DVDD current when the output is not toggling.

7.8 Timing Requirements

at DVDD⁽¹⁾ = 1.65 V to AVDD (unless otherwise noted); minimum and maximum values at T_A = –40°C to +125°C, typical values at T_A = 25°C

			MIN	NOM	MAX	UNIT
CONVERSION CYCLE						
f _{SAMPLE}	Sample rate (throughput rate)	SCLK = 34 MHz, 16 clock frame			2	MSPS
	f _{SAMPLE MAX} = 1 / (t _{CONV MAX} + t _{ACQ MIN})	ADS7947 (12 bit), SCLK = 34 MHz			2.1	MSPS
		ADS7948 (10 bit), SCLK = 34 MHz			2.57	
		ADS7949 (8 bit), SCLK = 34 MHz			3	
t _{ACQ}	Acquisition time		80			ns
POWER DOWN						
t _{PDSU}	Setup time, PDEN high to \overline{CS} rising edge (see Figure 45 and Figure 46)		2			ns
t _{PDH}	Hold time, \overline{CS} rising edge to PDEN falling edge (see Figure 45)		20			ns
SPI INTERFACE TIMINGS						
t _{W1}	Pulse duration, \overline{CS} high		25			ns
t _{SU1}	Setup time, \overline{CS} low to first rising edge of SCLK	DVDD = 1.8 V	3.5			ns
		DVDD = 3 V	3.5			
		DVDD = 5 V	3.5			
t _{D4}	Delay time, \overline{CS} rising edge from conversion end (see the t _{CONV} specification for conversion time)		10			ns
t _{WH}	Pulse duration, SCLK high		11			ns
t _{WL}	Pulse duration, SCLK low		11			ns
f _{SCLK}	SCLK frequency		0.4	34	40	MHz

(1) 1.8-V specifications apply from 1.65 V to 2 V; 3-V specifications apply from 2.7 V to 3.6 V; 5-V specifications apply from 4.75 V to 5.25 V.

7.9 Switching Characteristics

at DVDD = 1.65 V to AVDD (unless otherwise noted); minimum and maximum values at T_A = -40°C to +125°C, typical values at T_A = 25°C

PARAMETER		TEST CONDITIONS ⁽¹⁾	MIN	TYP	MAX	UNIT
t _{CONV}	Conversion time	ADS7947 (12 bit)			13.5	SCLK
		ADS7948 (10 bit)			10.5	
		ADS7949 (8 bit)			8.5	
t _{D1}	Delay time, \overline{CS} low to first data (D0-15) out	DVDD = 1.8 V			14.5	ns
		DVDD = 3 V			12.5	
		DVDD = 5 V			8.5	
t _{D2} ⁽²⁾	Delay time, SCLK falling to SDO	DVDD = 1.8 V			11	ns
		DVDD = 3 V			9	
		DVDD = 5 V			7.1	
t _{H1}	Hold time, SCLK falling to data valid	DVDD = 1.8 V	4			ns
		DVDD = 3 V	3			
		DVDD = 5 V	2			
t _{D3}	Delay time, \overline{CS} high to SDO 3-state	DVDD = 1.8 V			15	ns
		DVDD = 3 V			12.5	
		DVDD = 5 V			8.5	

(1) 1.8-V specifications apply from 1.65 V to 2 V; 3-V specifications apply from 2.7 V to 3.6 V; 5-V specifications apply from 4.75 V to 5.25 V.

(2) With 50-pF load.

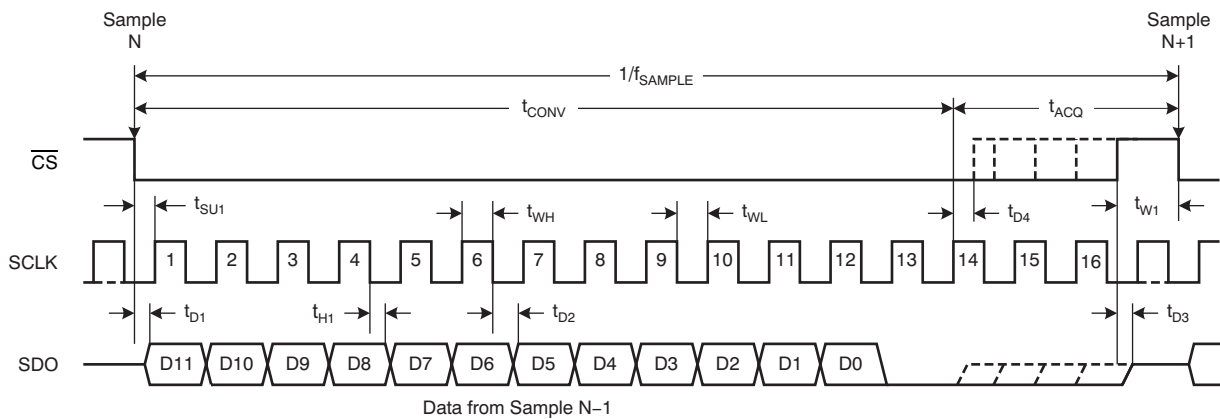


Figure 1. Timing Diagram

7.10 Typical Characteristics: ADS7947, ADS7948, ADS7949

at $T_A = 25^\circ\text{C}$, $DVDD = 1.8\text{ V}$, $V_{REF} = 2.5\text{ V}$, and $f_{SAMPLE} = 2\text{ MSPS}$ (unless otherwise noted)

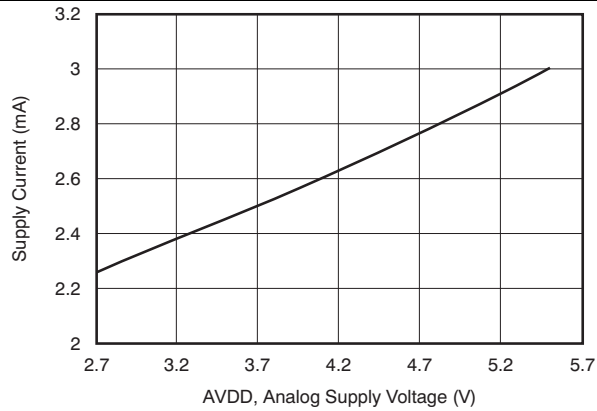


Figure 2. Supply Current vs Analog Supply Voltage

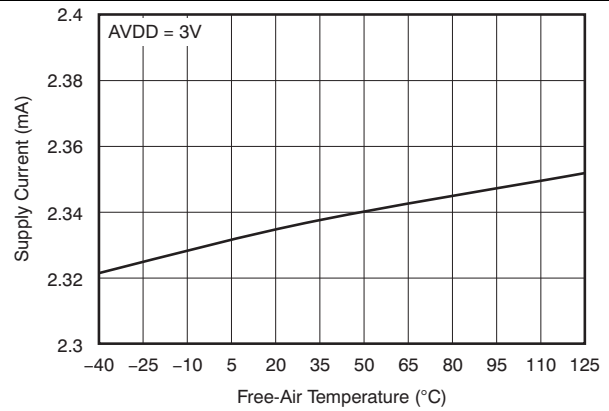


Figure 3. Supply Current vs Temperature

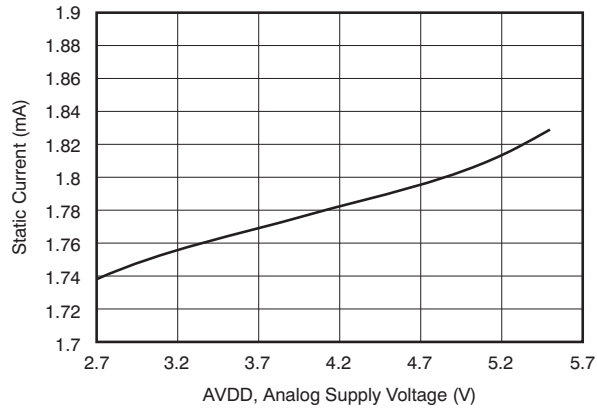


Figure 4. Static Current vs Analog Supply Voltage

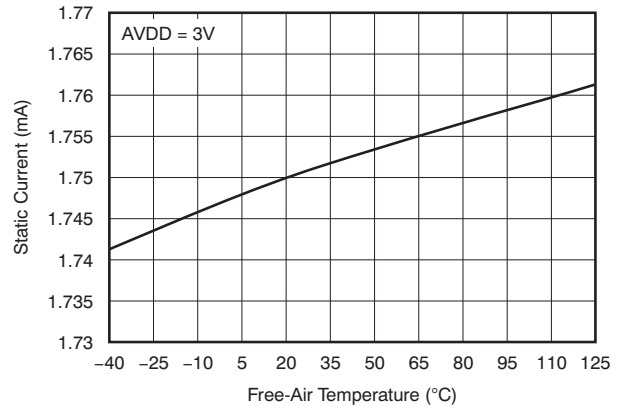


Figure 5. Static Current vs Free-Air Temperature

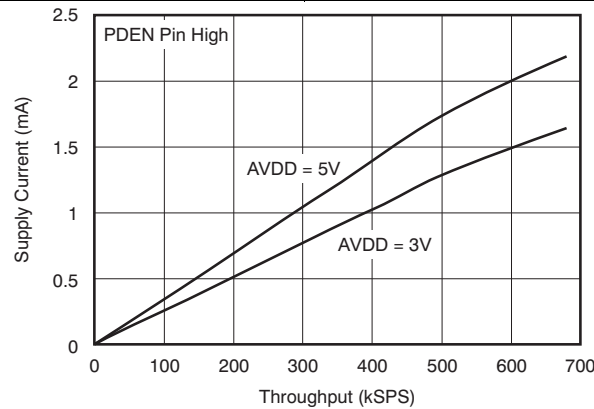


Figure 6. Supply Current vs Throughput

7.11 Typical Characteristics: ADS7947 (12-Bit)

At $T_A = 25^\circ\text{C}$, $DVDD = 1.8\text{ V}$, $V_{REF} = 2.5\text{ V}$, and $f_{SAMPLE} = 2\text{ MSPS}$ (unless otherwise noted)

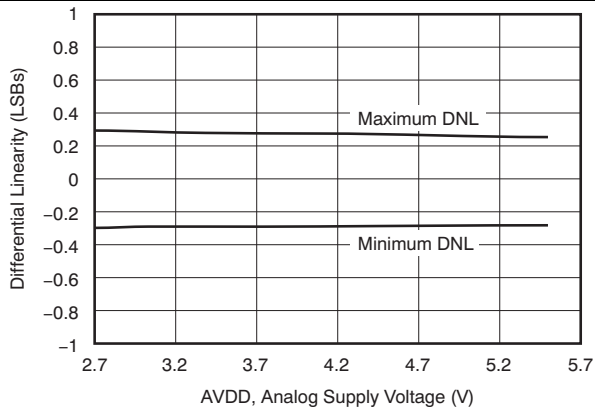


Figure 7. Differential Linearity vs Analog Supply Voltage

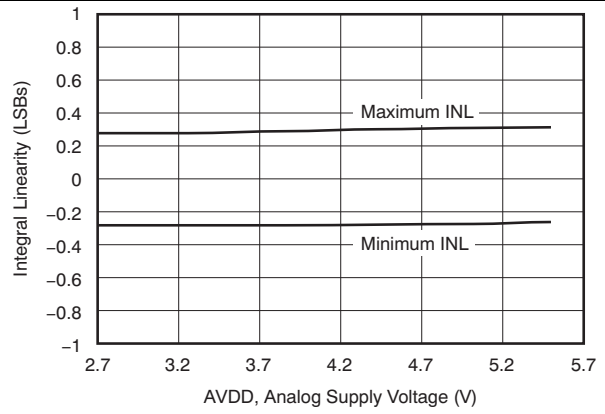


Figure 8. Integral Linearity vs Analog Supply Voltage

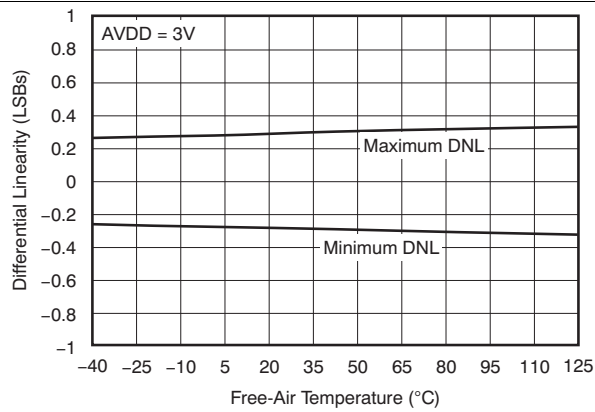


Figure 9. Differential Linearity vs Temperature

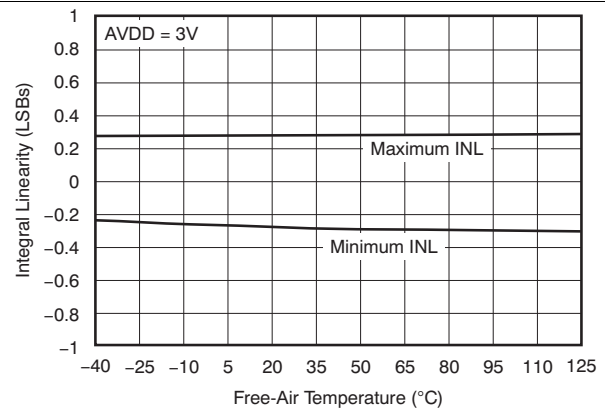


Figure 10. Integral Linearity vs Temperature

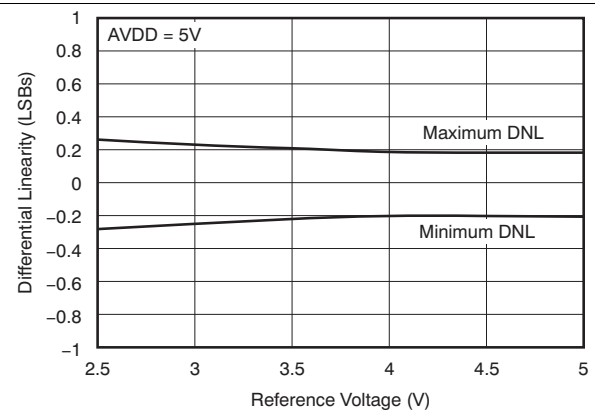


Figure 11. Differential Linearity vs Reference Voltage

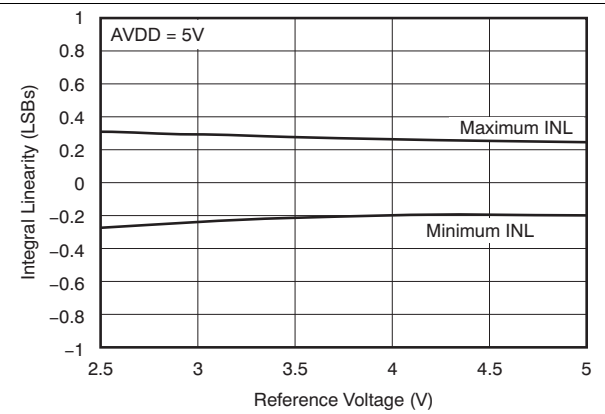


Figure 12. Integral Linearity vs Reference Voltage

Typical Characteristics: ADS7947 (12-Bit) (continued)

At $T_A = 25^\circ\text{C}$, $DVDD = 1.8\text{ V}$, $V_{REF} = 2.5\text{ V}$, and $f_{SAMPLE} = 2\text{ MSPS}$ (unless otherwise noted)

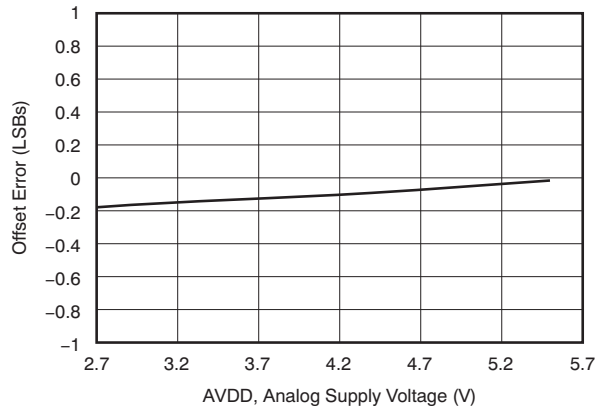


Figure 13. Offset Error vs Analog Supply Voltage

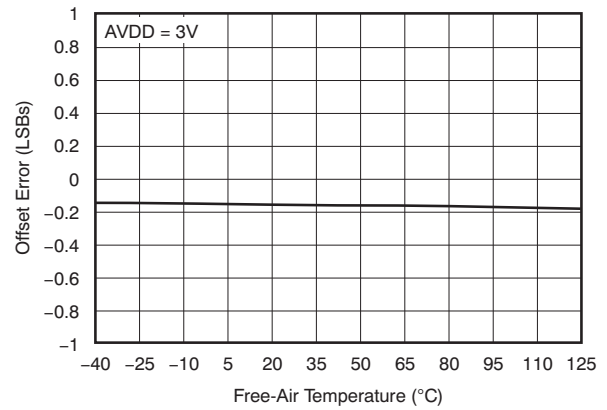


Figure 14. Offset Error vs Temperature

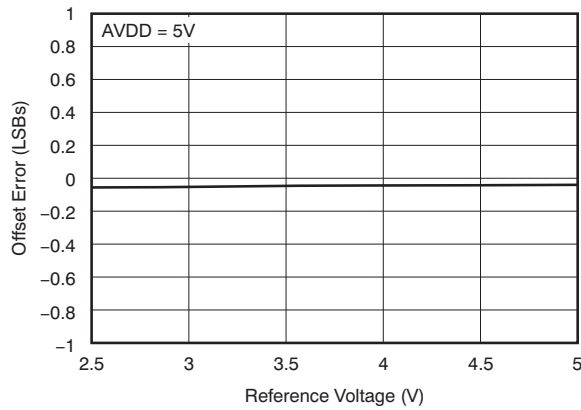


Figure 15. Offset Error vs Reference Voltage

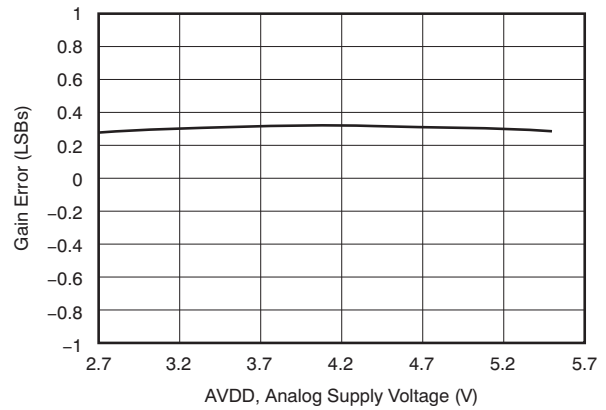


Figure 16. Gain Error vs Analog Supply Voltage

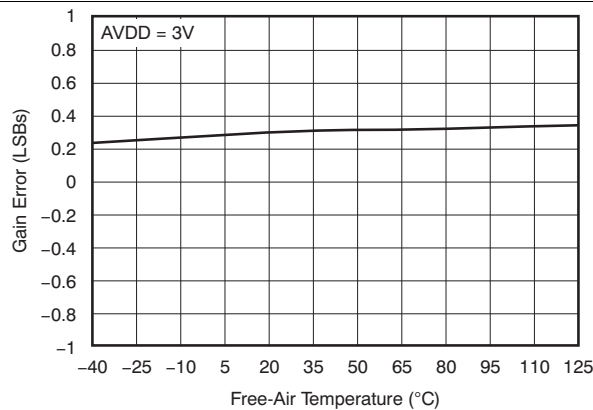


Figure 17. Gain Error vs Temperature

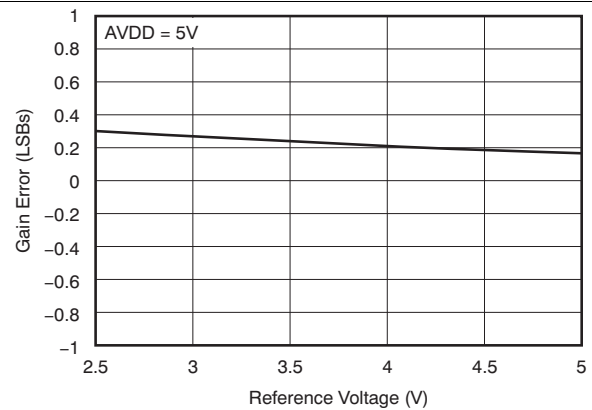


Figure 18. Gain Error vs Reference Voltage

Typical Characteristics: ADS7947 (12-Bit) (continued)

At $T_A = 25^\circ\text{C}$, $DVDD = 1.8\text{ V}$, $V_{REF} = 2.5\text{ V}$, and $f_{SAMPLE} = 2\text{ MSPS}$ (unless otherwise noted)

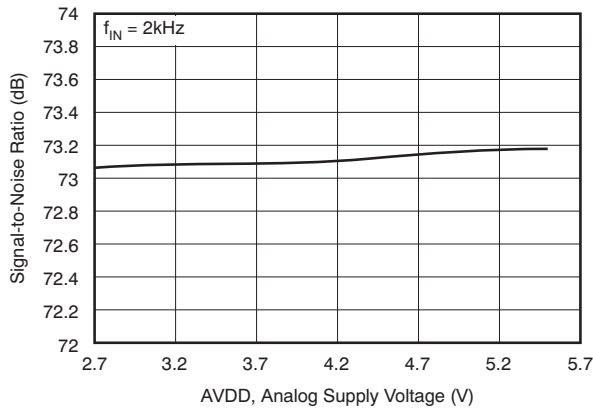


Figure 19. SNR vs Analog Supply Voltage

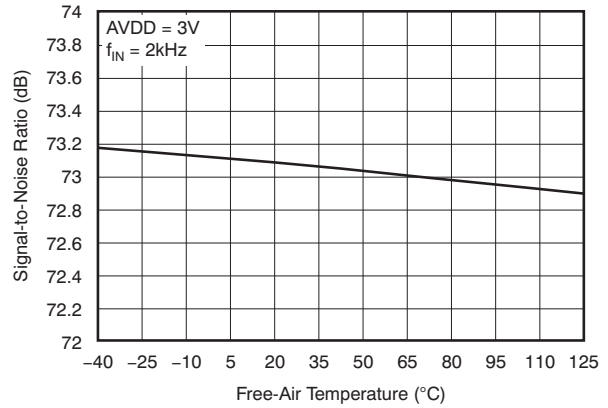


Figure 20. SNR vs Temperature

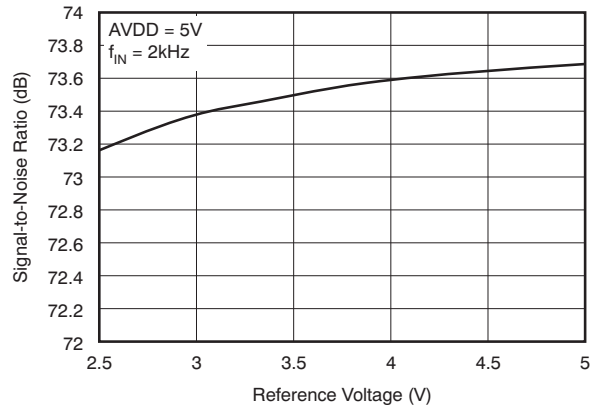


Figure 21. SNR vs Reference Voltage

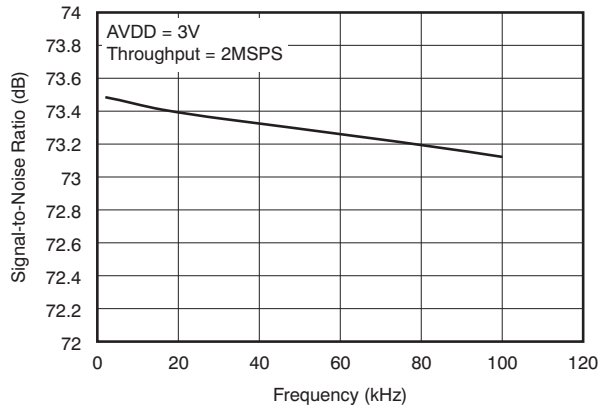


Figure 22. SNR vs Input Frequency

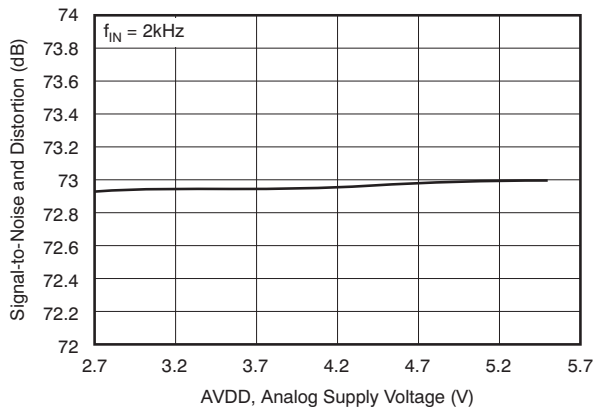


Figure 23. SINAD vs Analog Supply Voltage

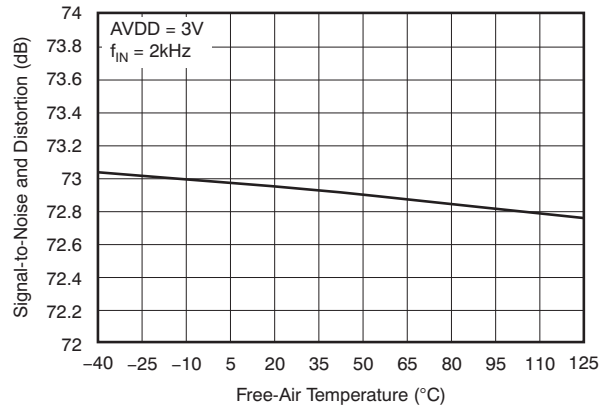


Figure 24. SINAD vs Temperature

Typical Characteristics: ADS7947 (12-Bit) (continued)

At $T_A = 25^\circ\text{C}$, $DVDD = 1.8\text{ V}$, $V_{REF} = 2.5\text{ V}$, and $f_{SAMPLE} = 2\text{ MSPS}$ (unless otherwise noted)

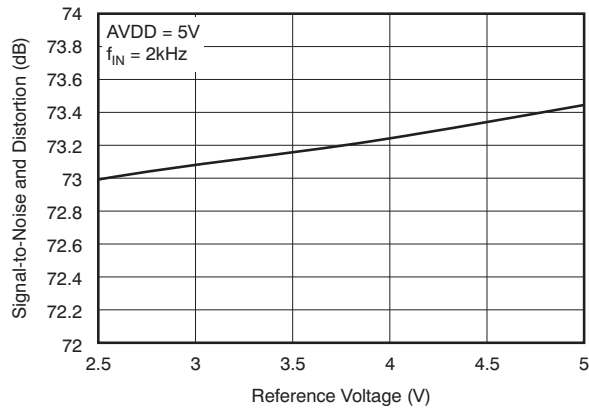


Figure 25. SINAD vs Reference Voltage

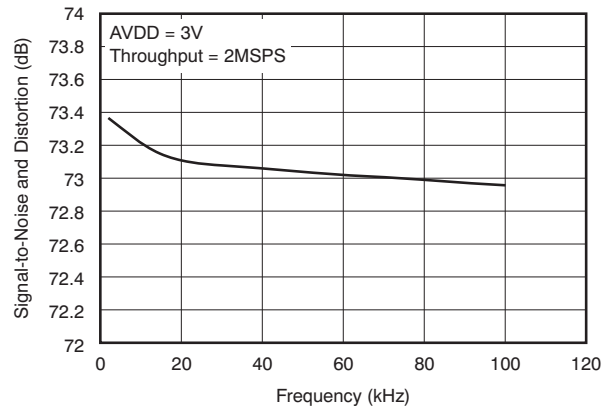


Figure 26. SINAD vs Input Frequency

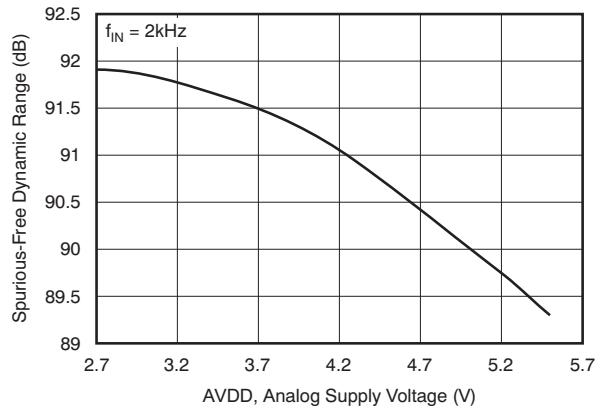


Figure 27. SFDR vs AVDD

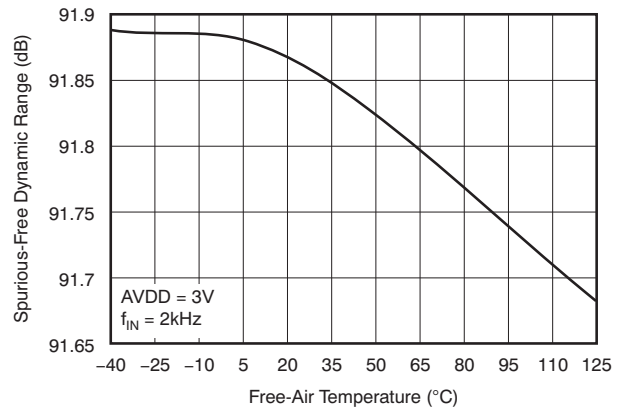


Figure 28. SFDR vs Temperature

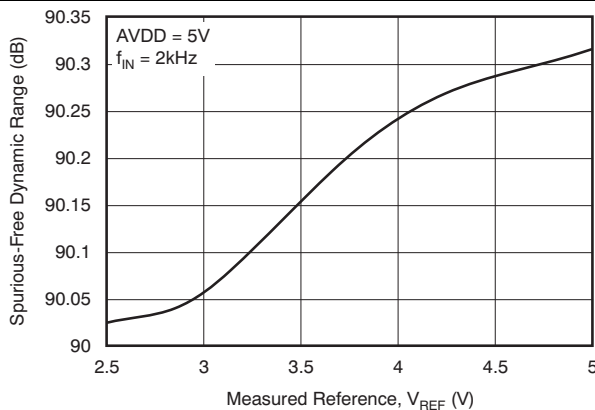


Figure 29. SFDR vs Reference Voltage

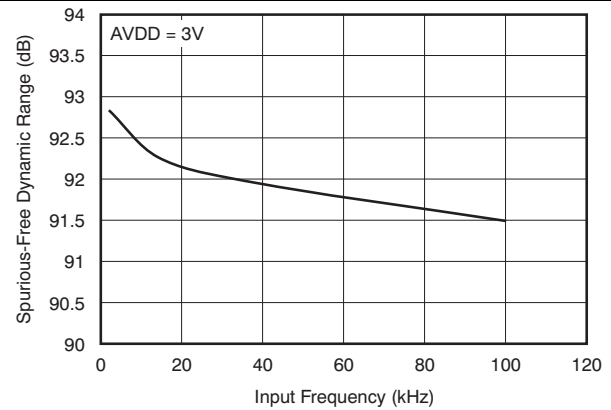


Figure 30. SFDR vs Input Frequency

Typical Characteristics: ADS7947 (12-Bit) (continued)

At $T_A = 25^\circ\text{C}$, $DVDD = 1.8\text{ V}$, $V_{REF} = 2.5\text{ V}$, and $f_{SAMPLE} = 2\text{ MSPS}$ (unless otherwise noted)

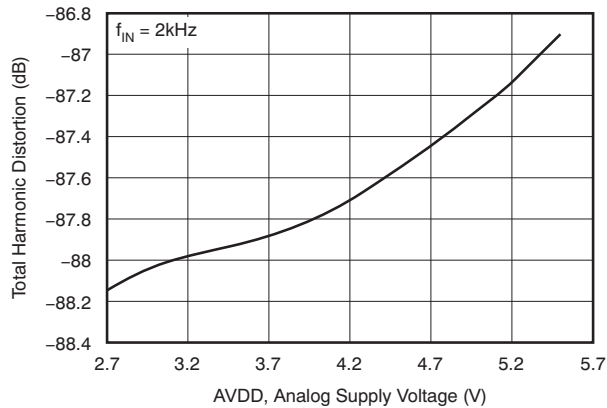


Figure 31. SFDR vs AVDD

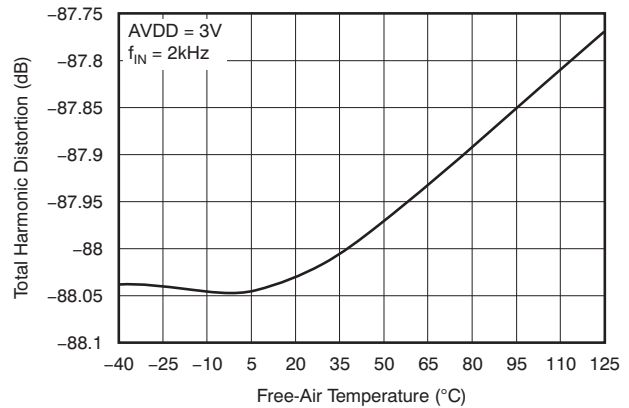


Figure 32. SFDR vs Temperature

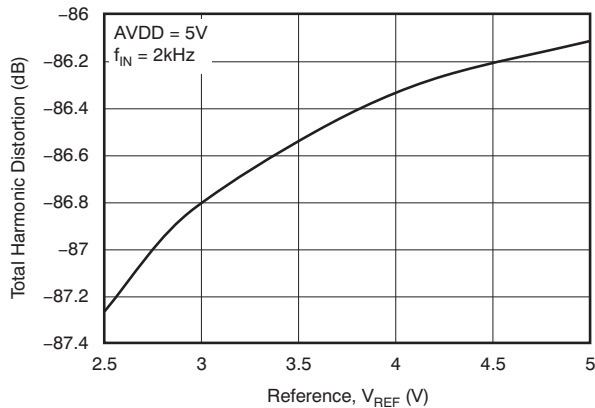


Figure 33. THD vs Reference Voltage

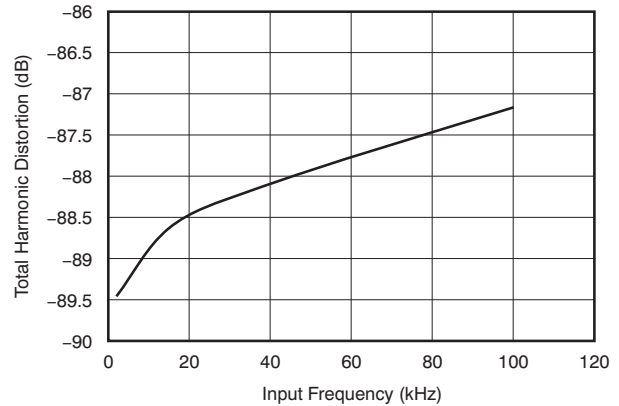


Figure 34. THD vs Input Frequency

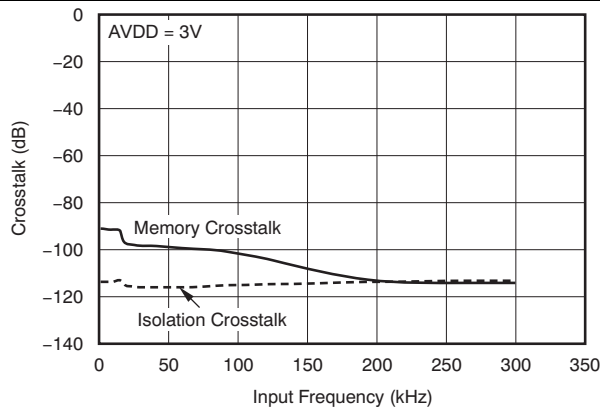


Figure 35. Crosstalk vs Input Frequency

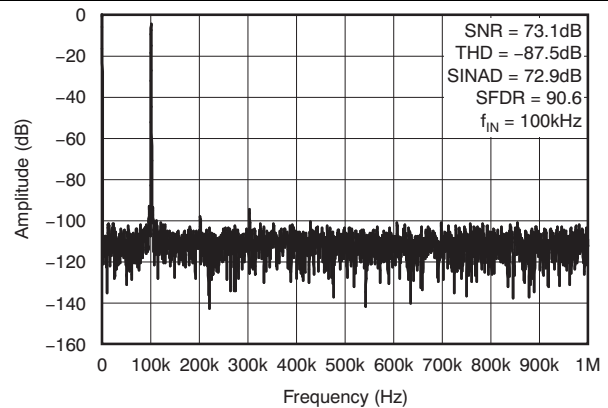
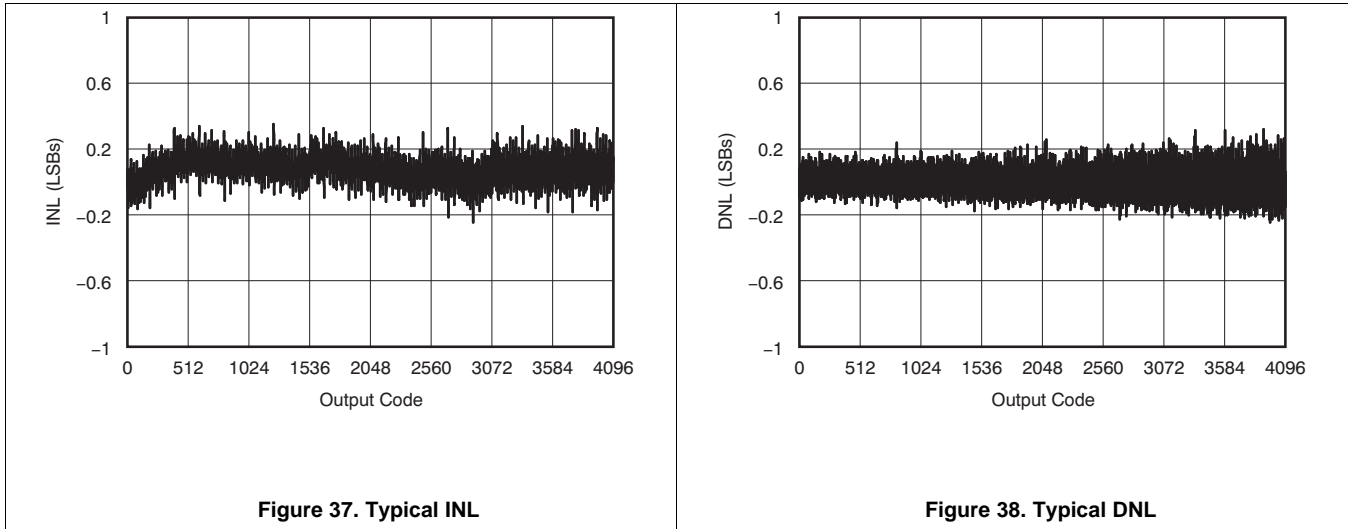


Figure 36. Spectral Response (8192-Point FFT)

Memory crosstalk is the effect of the last converted channel on the current converted channel data. Isolation crosstalk is the effect on the channel being converted that is coming from the signal on the channel that is off.

Typical Characteristics: ADS7947 (12-Bit) (continued)

At $T_A = 25^\circ\text{C}$, $DVDD = 1.8\text{ V}$, $V_{REF} = 2.5\text{ V}$, and $f_{SAMPLE} = 2\text{ MSPS}$ (unless otherwise noted)

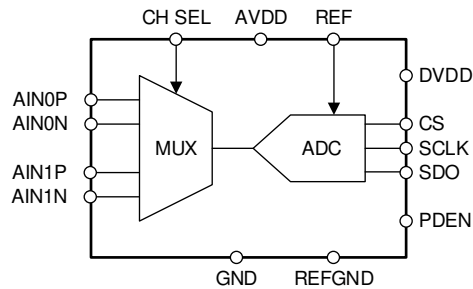


8 Detailed Description

8.1 Overview

The ADS7947 is 12-bit, miniature, dual-channel, low-power successive-approximation register (SAR) analog-to-digital converter (ADC). The ADS7948 and ADS7949 are 10-bit and 8-bit devices, respectively, from the same product family. These devices feature low-power consumption at full-speed. The PDEN pin enables an auto power-down mode that further reduces power consumption at lower speeds.

8.2 Functional Block Diagram



8.3 Feature Description

8.3.1 Multiplexer and ADC Input

The devices feature pseudo-differential inputs with a double-pole, double-throw multiplexer. The negative inputs (AINxN) can accept swings of ± 0.2 V; the positive inputs (AINxP) allow signals in the range of 0 V to V_{REF} over the negative input. The ADC converts the difference in voltage: $V_{AINxP} - V_{AINxN}$. This feature can be used in multiple ways.

Two signals can be connected from different sensors with unequal ground potentials (within ± 0.2 V) to a single ADC. The pseudo-differential ADC rejects common-mode offset and noise. This feature also allows the use of a single-supply op amp. The signal and the AINxN input can be offset by +0.2 V, which provides the ground clearance needed for a single-supply op amp.

Feature Description (continued)

Figure 39 shows the electrostatic discharge (ESD) diodes to supply and ground at every analog input. Make sure that these diodes do not turn on by keeping the supply voltage within the specified input range.

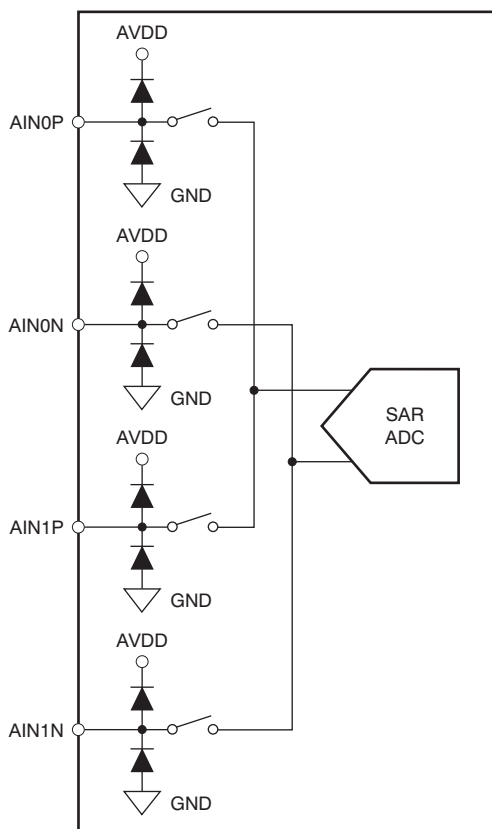


Figure 39. Analog Inputs

Figure 40 shows an equivalent circuit of the multiplexer and ADC sampling stage. The positive and negative inputs are separately sampled on 32-pF sampling capacitors. The multiplexer and sampling switches are represented by an ideal switch in series with a 12-Ω resistance. During sampling, the devices connect the 32-pF sampling capacitor to the ADC driver. This connection creates a glitch at the device input. TI recommends connecting a capacitor across the AINxP and AINxN terminals to reduce this glitch. A driving circuit must have sufficient bandwidth to settle this glitch within the acquisition time.

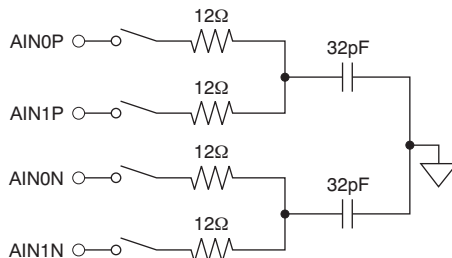
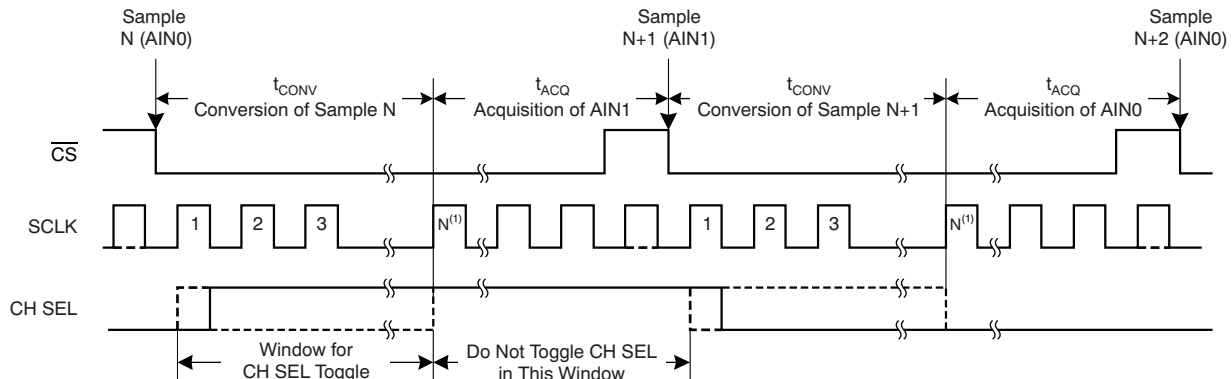


Figure 40. Input Sampling Stage Equivalent Circuit
(See the [Application Information](#) section for details on the driving circuit.)

Feature Description (continued)

Figure 41 shows a timing diagram for the ADC analog input channel selection. As shown in Figure 41, the CH SEL signal selects the analog input channel to the ADC. CH SEL = 0 selects channel 0 (AIN0P – AIN0N) and CH SEL = 1 selects channel 1 (AIN1P – AIN1N). It is recommended not to toggle the CH SEL signal during an ADC acquisition phase until the device detects the first valid SCLK rising edge after the device samples the analog input. If CH SEL is toggled during this period, an erroneous output code can result because the device might detect an unsettled analog input.

CH SEL can be toggled at any time during the window specified in Figure 41; however, TI recommends selecting the desired channel after the first SCLK rising edge and before the second SCLK rising edge. This timing ensures that the multiplexer output is settled before the ADC starts acquisition of the analog input.



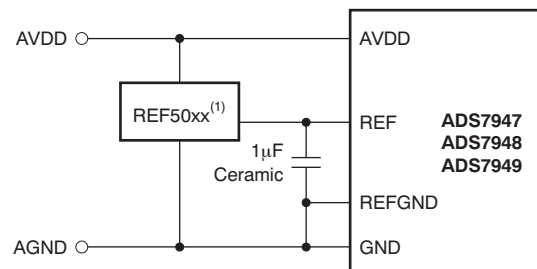
(1) *N* indicates the 14th SCLK rising edge for the ADS7947 (12 bit), the 11th rising edge for the ADS7948 (10 bit), and the ninth rising edge for the ADS7949 (8 bit).

Figure 41. ADC Analog Input Channel Selection

8.3.2 Reference

The ADS7947, ADS7948, and ADS7949 use an external reference voltage during the conversion of a sampled signal. The devices switch the capacitors used in the conversion process to the reference terminal during conversion. The switching frequency is the same as the SCLK frequency. The REF terminal must be decoupled to REFGND with a 1- μ F ceramic capacitor in order to get the best noise performance from the device. The capacitor must be placed closest to these pins. The reference input can be driven with the REF50xx series precision references from TI. Figure 42 shows a typical reference driving circuit.

For convenience, AVDD can be used as a reference. The ADS794x allow reference ranges up to AVDD. However, make sure that AVDD is well-bypassed and that there is a separate bypass capacitor between REF and REFGND.



(1) Select the appropriate device as described by the required reference value. For example, select the REF5040 for a 4-V reference, the REF5030 for a 3-V reference, and the REF5025 for a 2.5-V reference. Ensure that $(AVDD - REF) > 0.2$ V so that the REF50xx functions properly.

Figure 42. Typical Reference Driving Circuit

Feature Description (continued)

8.3.3 Clock

The ADS794x use SCLK for conversions (typically 34 MHz). A lower frequency SCLK can be used for applications requiring sample rates less than 2 MSPS. However, using a 34-MHz SCLK and slowing down the device speed by choosing a lower frequency for \overline{CS} is better, which allows more acquisition time. This configuration relaxes constraints on the output impedance of the driving circuit. See the [Application Information](#) section for a calculation of the driving circuit output impedance.

8.3.4 ADC Transfer Function

The ADS7947 (12 bit), ADS7948 (10 bit), and ADS7949 (8 bit) devices are unipolar, pseudo-differential input devices. The ADC output is in straight binary format. [Figure 43](#) shows ideal characteristics for this family of devices. Here, FSR is the full-scale range for the ADC input ($A_{INxP} - A_{INxN}$) and is equal to the reference input voltage to the ADC (V_{REF}). 1 LSB is equal to $(V_{REF} / 2^N)$ where N is the resolution of the ADC (for example, $N = 12$ for the ADS7947).

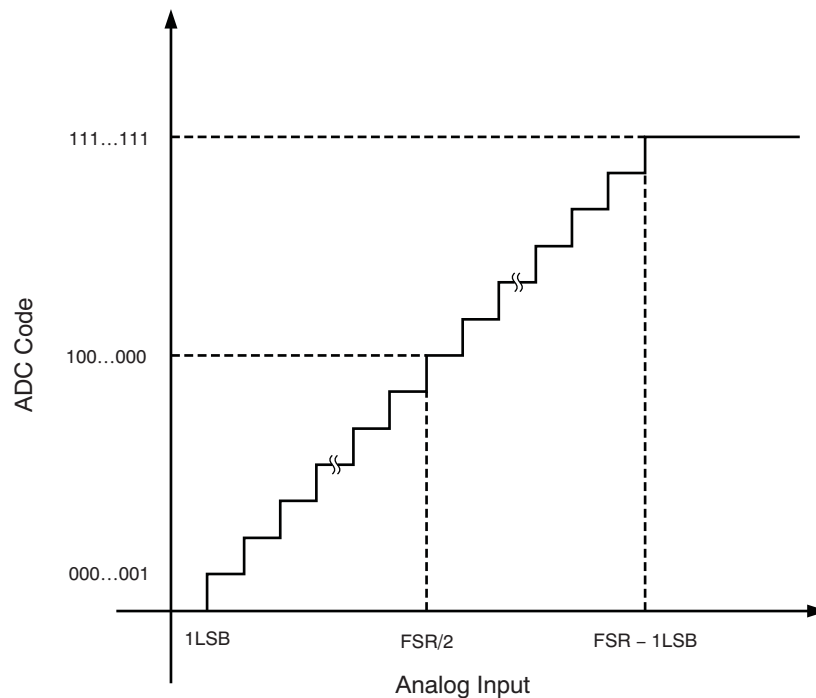


Figure 43. ADS7947, ADS7948, and ADS7949 Transfer Characteristics

8.3.5 Power-Down

The ADS7947, ADS7948, and ADS7949 family of devices offers an easy-to-use power-down feature available through a dedicated PDEN pin (pin 12). A high level on PDEN at the \overline{CS} rising edge enables the power-down mode for that particular cycle. [Figure 44](#) to [Figure 46](#) illustrate device operation with power-down in both 32-clock and 16-clock mode.

Many applications must slow device operation. For speeds below approximately 500 kSPS, the 32-clock mode can be used with power-down. This capability results in considerable power savings.

As illustrated in [Figure 44](#), PDEN is held at a logic '1' level. The device observes the PDEN status only at the \overline{CS} rising edge; however, for continuous low-speed operation, continuously hold $PDEN = 1$. The devices detect power-down mode on the \overline{CS} rising edge with $PDEN = 1$.

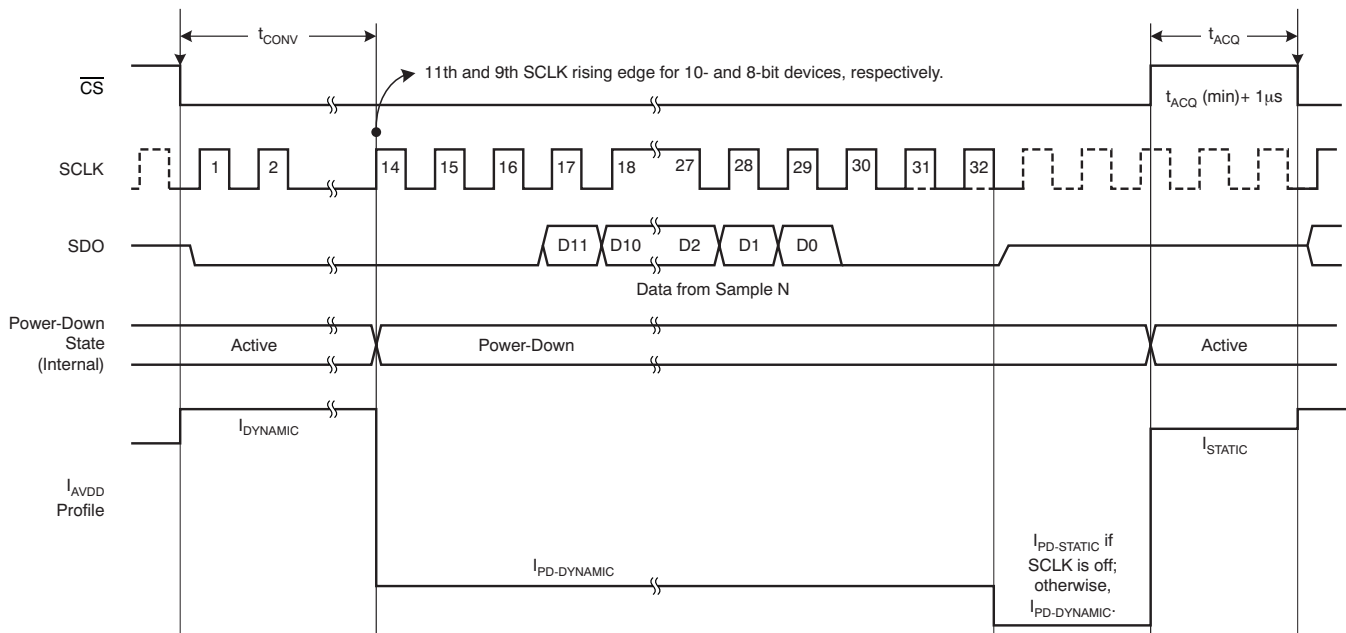
Feature Description (continued)


Figure 44. Operation With a 32-Clock Frame in Power-Down Mode (PDEN = 1)

On the \overline{CS} falling edge, the devices start normal operation as previously described. The devices complete conversions on the 14th SCLK rising edge. (Conversions complete on the 11th and ninth SCLK rising edge for 10-bit and 8-bit devices, respectively.) The devices enter the power-down state immediately after conversions complete. However, the devices can still output data as per the timings described previously. The devices consume dynamic power-down current ($I_{PD-DYNAMIC}$) during data out operations. TI recommends stopping the clock after the 32nd SCLK falling edge to further save power down to the *static power-down current* level ($I_{PD-STATIC}$). The devices power up again on the SCLK rising edge. However, they require an extra $1\mu s$ to power up completely. \overline{CS} must be high for the $1\mu s + t_{ACQ}$ (min) period.

In some applications, data collection is accomplished in burst mode. The system powers down after data collection. 16-clock mode is convenient for these applications. [Figure 45](#) and [Figure 46](#) detail power saving in 16-clock burst mode.

As illustrated in [Figure 45](#), the two frames capturing the $N-1$ and N th samples are normal 16-clock frames. Keeping PDEN = 1 prior to the \overline{CS} rising edge in the next frame ensures that the devices detect the power-down mode. Data from the N th sample are read during this frame. The N th sample represents the last data of interest in the burst of conversions. The devices enter power-down state after the end of conversions. This state is the 14th, 11th, or ninth SCLK rising edge for the 12-, 10-, and 8-bit devices, respectively. The clock can be stopped after the 14th SCLK falling edge; however, TI still recommends stopping the clock after the 16th SCLK falling edge. There must be no more than 29 SCLK falling edges during the \overline{CS} low period. This limitation ensures that the devices remain in 16-clock mode.

The devices remain in a power-down state as long as \overline{CS} is low. A \overline{CS} rising edge with PDEN = 0 brings the devices out of the power-down state. Ensure that the \overline{CS} high time for the first sample after power up is more than $1\mu s + t_{ACQ}$ (min).

Feature Description (continued)

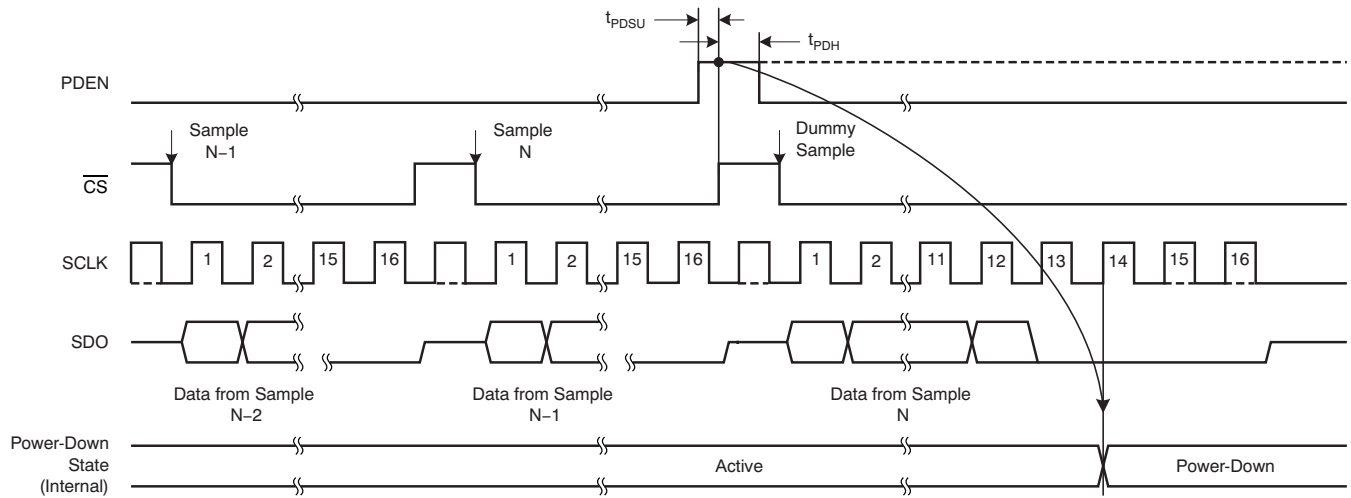


Figure 45. Entry Into Power-Down With 16-Clock Burst Mode

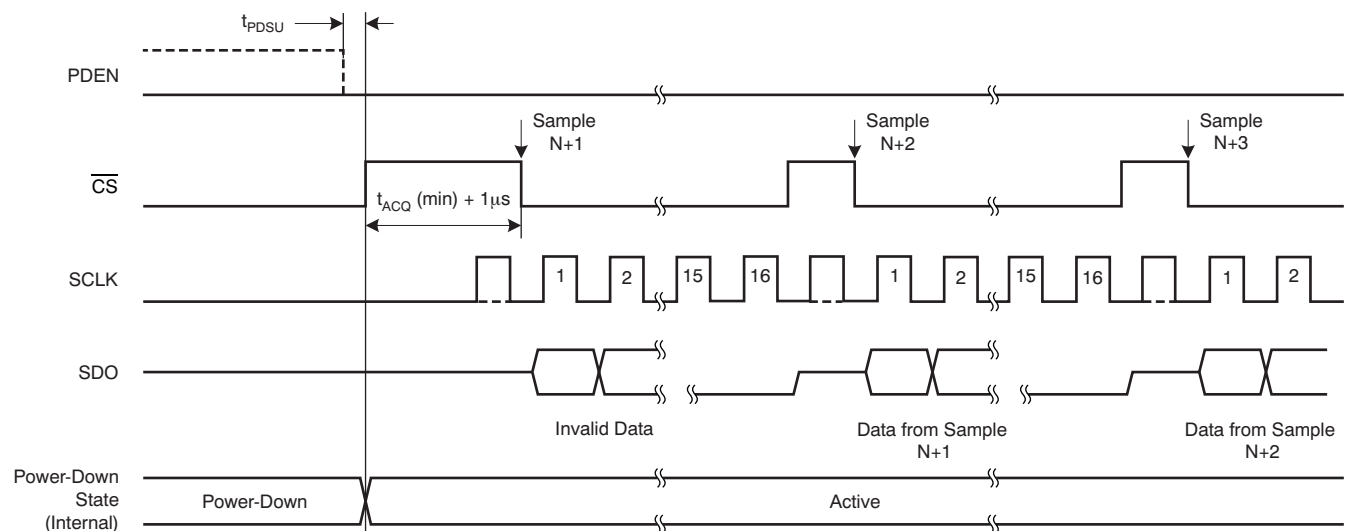


Figure 46. Exit From Power-Down With 16-Clock Burst Mode

8.4 Device Functional Modes

8.4.1 Device Operation

The ADS7947, ADS7948, and ADS7949 are typically operated with either a 16-clock frame or 32-clock frame for ease of interfacing with the host processor.

8.5 Programming

8.5.1 16-Clock Frame

Figure 47 through Figure 49 illustrate the devices operating in 16-clock mode. This mode is the fastest mode for device operation. In this mode, the devices output data from previous conversions while converting the recently sampled signal.

As shown in Figure 47, the ADS7947 starts acquisition of the analog input from the 14th rising edge of SCLK. The device samples the input signal on the \overline{CS} falling edge. SDO comes out of 3-state and the device outputs the MSB on the \overline{CS} falling edge. The device outputs the next lower SDO bits on every SCLK falling edge after the SCLK rising edge. The data correspond to the sample and conversion completed in the previous frame. During a \overline{CS} low period, the device converts the recently sampled signal and uses SCLK for conversions. The number of clocks needed for a conversion for 12-bit and 8-bit devices are different. For the ADS7947, conversion is complete on the 14th SCLK rising edge. \overline{CS} can be high at any time after the 14th SCLK rising edge. The \overline{CS} rising edge after the 14th SCLK rising edge and before the 29th SCLK falling edge keeps the device in the 16-clock data frame. The device output goes to 3-state with \overline{CS} high.

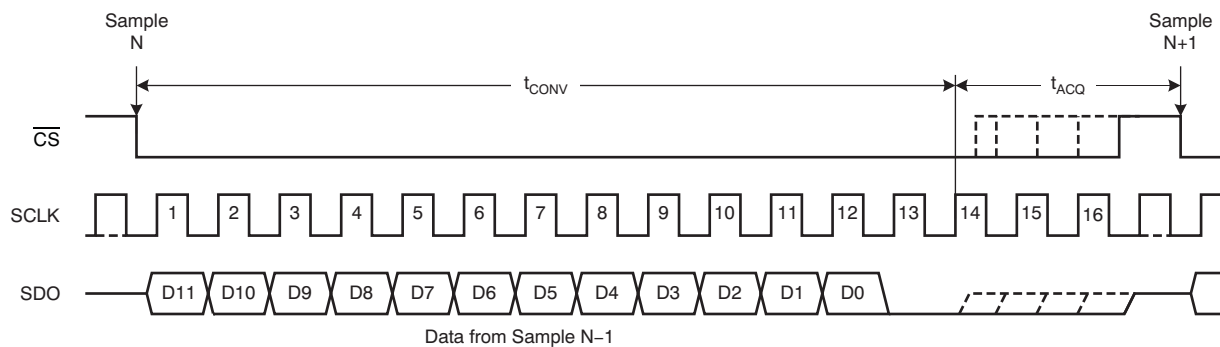


Figure 47. ADS7947 Operating in 16-Clock Mode Without Power-Down (PDEN = 0)

SCLK can also be stopped after the 14th SCLK rising edge.

Figure 48 and Figure 49 illustrate the 16-clock mode operation for the ADS7948 and ADS7949, respectively. The operation for these 10-bit and 8-bit devices is identical to the ADS7947 except that the conversion ends on different edges of SCLK. For the ADS7948, the conversion ends and acquisition starts on the 11th SCLK rising edge. For the ADS7949, the device uses the ninth SCLK rising edge for the conversion end and acquisition start. Similar to the ADS7947, \overline{CS} can go high and SCLK can be stopped when the device enters acquisition.

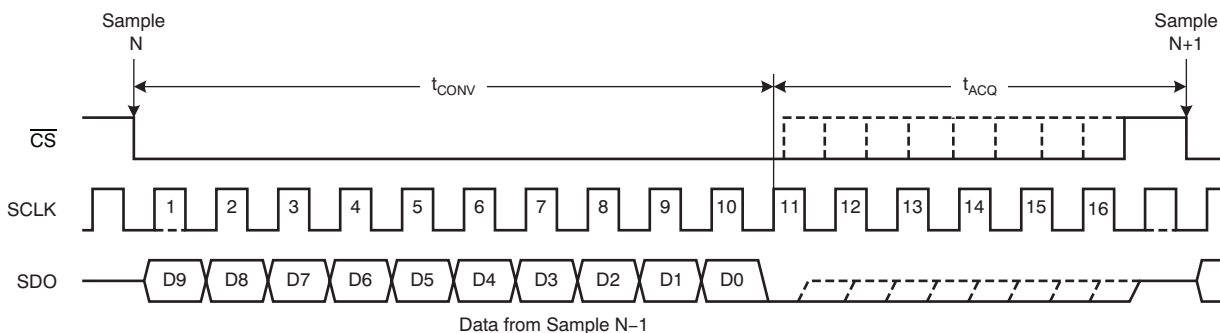


Figure 48. ADS7948 Operating in 16-Clock Mode Without Power-Down (PDEN = 0)

Programming (continued)

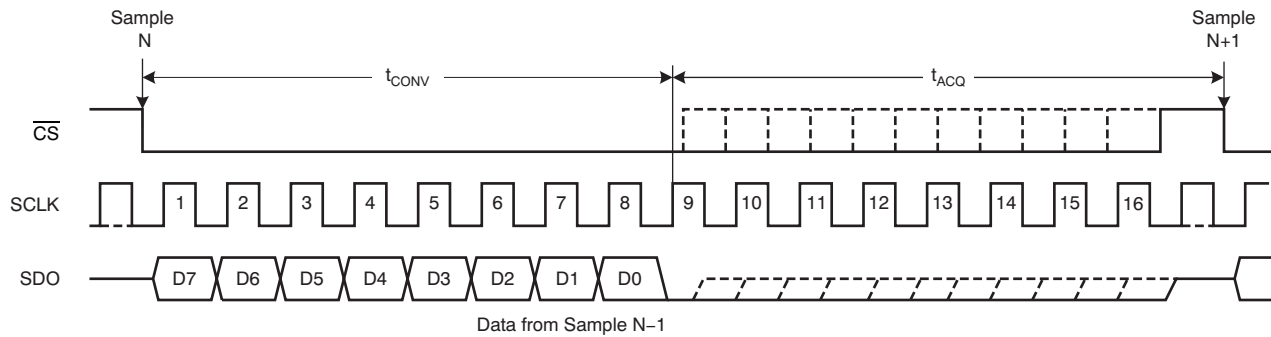


Figure 49. ADS7949 Operating in 16-Clock Mode Without Power-Down (PDEN = 0)

8.5.2 32-Clock Frame

Figure 50 through Figure 52 illustrate the devices operating in 32-clock mode. In this mode, the devices convert and output the data from the most recent sample before taking the next sample.

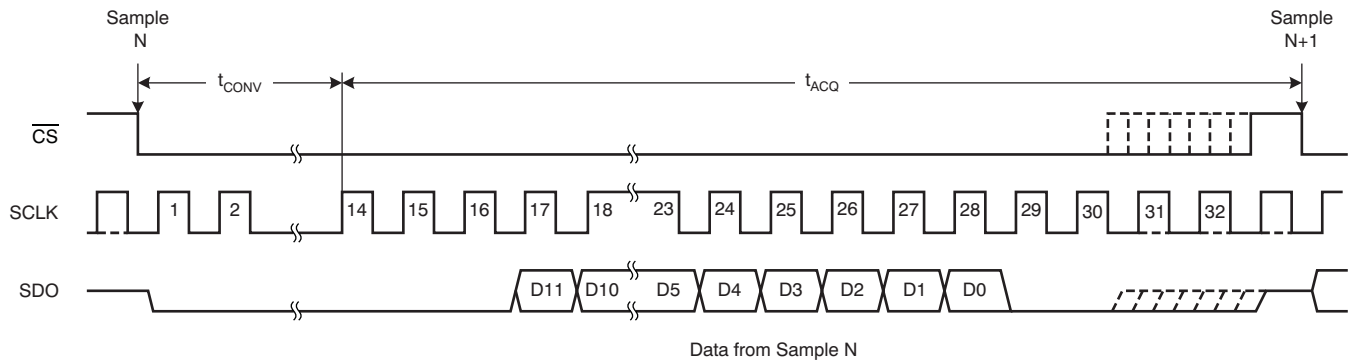


Figure 50. ADS7947 Operation in 32-Clock Frame Without Power-Down (PDEN = 0)

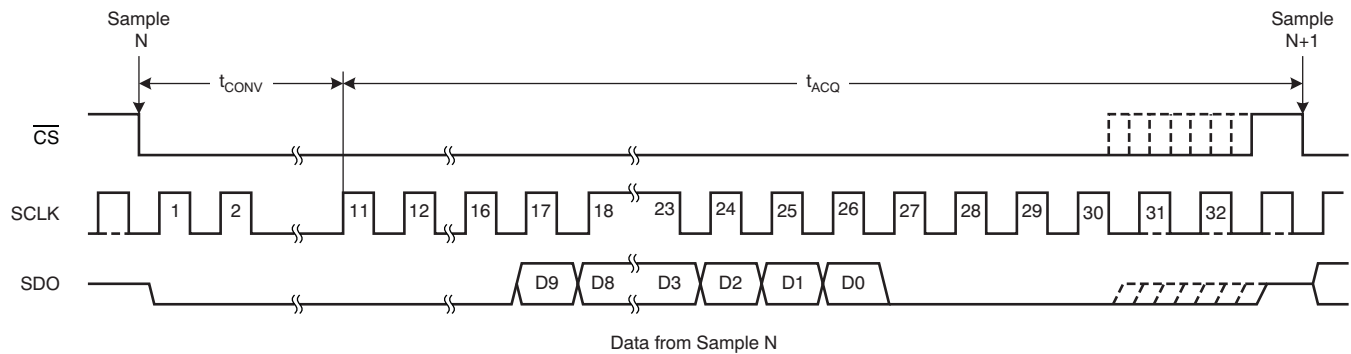


Figure 51. ADS7948 Operating in 32-Clock Frame Without Power-Down (PDEN = 0)

Programming (continued)

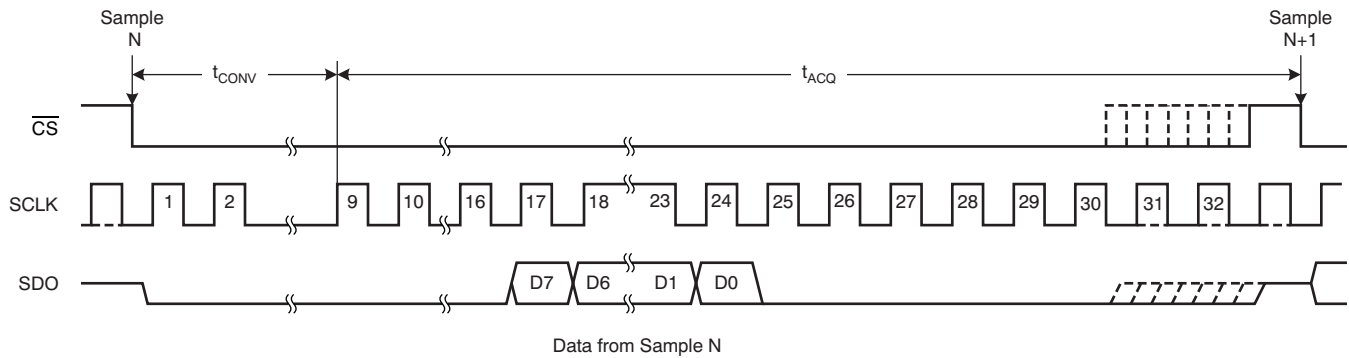


Figure 52. ADS7949 Operating in 32-Clock Frame Without Power-Down (PDEN = 0)

\overline{CS} can be held low past the 16th falling edge of SCLK. The device continues to output recently converted data starting with the 16th SCLK falling edge. If \overline{CS} is held low until the 30th SCLK falling edge, then the device detects 32-clock mode. The device data from recent conversions are already out with no latency before the 30th SCLK falling edge. When 32-clock mode is detected, the device outputs 16 zeros during the next conversion (in fact, for the first 16 clocks), unlike 16-clock mode where the device outputs the previous conversion result. SCLK can be stopped after the device has seen the 30th falling edge with \overline{CS} low.

9 Application and Implementation

NOTE

Information in the following applications sections is not part of the TI component specification, and TI does not warrant its accuracy or completeness. TI's customers are responsible for determining suitability of components for their purposes. Customers should validate and test their design implementation to confirm system functionality.

9.1 Application Information

The device employs a sample-and-hold stage at the input; see [Figure 40](#) for a typical equivalent circuit of a sample-and-hold stage. The device connects a 32-pF sampling capacitor during sampling. This configuration results in a glitch at the input terminals of the device at the start of the sample. The external circuit must be designed in such a way that the input can settle to the required accuracy during the sampling time chosen. [Figure 53](#) shows a typical driving circuit for the analog inputs.

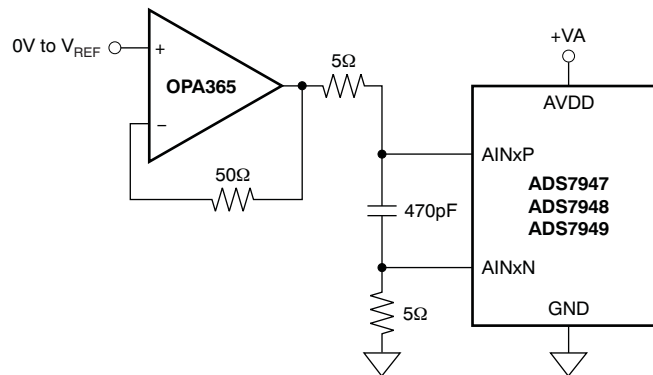


Figure 53. Typical Input Driving Circuit

Application Information (continued)

The 470-pF capacitor across the AINxP and AINxN terminals decouples the driving op amp from the sampling glitch. Splitting the series resistance of the input filter in two equal values is recommended, as shown in [Figure 53](#). Both input terminals are recommended to have the same impedance from the external circuit. The low-pass filter at the input limits noise bandwidth of the driving op amp. Select the filter bandwidth so that the full-scale step at the input can settle to the required accuracy during the sampling time. [Equation 1](#), [Equation 2](#), and [Equation 3](#) are useful for filter component selection.

$$\text{Filter Time Constant (t}_{AU}\text{)} = \frac{\text{Sampling Time}}{\text{Settling Resolution} \times \ln(2)}$$

Where:

Settling resolution is the accuracy in LSB to which the input needs to settle. A typical settling resolution for the 12-bit device is 13 or 14. (1)

$$\text{Filter Time Constant (t}_{AU}\text{)} = R \times C \quad (2)$$

$$\text{Filter Bandwidth} = \frac{1}{2 \times \pi \times t_{AU}} \quad (3)$$

Also, make sure the driving op amp bandwidth does not limit the signal bandwidth below filter bandwidth. In many applications, signal bandwidth can be much lower than filter bandwidth. In this case, an additional low-pass filter can be used at the input of the driving op amp. This signal filter bandwidth can be selected in accordance with the input signal bandwidth.

9.1.1 Driving an ADC Without a Driving Op Amp

There are some low input signal bandwidth applications, such as battery power monitoring or mains monitoring. For these applications, an ADC does not have to be operated at high sampling rates and, preferably, avoid using a driving op amp from a cost perspective. In this case, the ADC input observes the impedance of the signal source (such as a battery or mains transformer). This section elaborates the effects of source impedance on sampling frequency.

[Equation 1](#) can be rewritten as [Equation 4](#):

$$\text{Sampling Time} = \text{Filter Time Constant} \times \text{Settling Resolution} \times \ln(2) \quad (4)$$

As shown in [Figure 54](#), use a bypass capacitor across the positive and negative ADC input terminals.

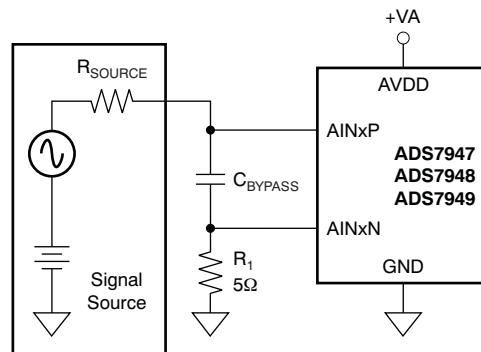


Figure 54. Driving an ADC Without a Driving Op Amp

Source impedance ($R_{SOURCE} + R_1$) with ($C_{BYPASS} + C_{SAMPLE}$) acts as a low-pass filter with [Equation 5](#):

$$\text{Filter Time Constant} = (R_{SOURCE} + R_1) \times (C_{BYPASS} + C_{SAMPLE})$$

Where:

C_{SAMPLE} is the internal sampling capacitance of the ADC (equal to 32 pF). (5)

[Table 1](#) lists the recommended bypass capacitor values and the filter time constant for different source resistances. Use a 10-pF bypass capacitor, at minimum.

Application Information (continued)
Table 1. Filter Time Constant versus Source Resistance

R_{SOURCE} (Ω)	$R_{SOURCE} + R_1$	APPROXIMATE C_{BYPASS} (pF)	$C_{BYPASS} + C_{SAMPLE}$ (pF)	FILTER TIME CONSTANT (ns)
15	20	370	400	8
25	30	235	267	8
50	55	115	145	8
100	105	44	76	8
180	185	10	43.2	8
250	255	10	42	10.7
1000	1005	10	42	42.2
5000	5005	10	42	210.2

Typically, settling resolution is selected as (ADC resolution + 2). For the ADS7947 (12-bit) the ideal settling resolution is 14. Using equations [Equation 2](#) and [Equation 3](#), the sampling time can be easily determined for a given source impedance. This resolution allows 80 ns of sampling time for a 12-bit ADC with 8 ns of filter time constant, which matches the ADS7947 specifications. For source impedances above 180 Ω , the filter time constant continues to increase beyond the 8 ns required for an 80-ns sampling time. This incrementation increases the minimum permissible sampling time for the 12-bit settling and the device must be operated at a lower sampling rate.

The device sampling rate can be maximized by using a 34-MHz clock even for lower throughputs. [Table 2](#) shows typical calculations for the ADS7947(12-bit).

Table 2. Sampling Frequency versus Source Impedance for the ADS7947 (12-Bit)

R_{SOURCE} (Ω)	C_{BYPASS} (pF)	SAMPLING TIME, t_{ACQ} (ns)	CONVERSION TIME, t_{CONV} (ns)	CYCLE TIME, $t_{ACQ} + t_{CONV}$ (ns)	SAMPLING RATE (MSPS)
180	10	80	397 (with 34MHz clock)	477	2
250	10	107	397 (with 34MHz clock)	504	1.98
1000	10	422	397 (with 34MHz clock)	819	1.2
5000	10	2102	397 (with 34MHz clock)	2499	0.4

An 1000-ns additional sampling time must be allowed over what is shown in [Table 2](#) if PDEN (pin 12) is set high.

10 Power Supply Recommendations

The device has two separate power supplies: AVDD and DVDD. The device operates on AVDD; DVDD is used for the interface circuits. AVDD and DVDD can be independently set to any value within the permissible ranges. Decouple the AVDD and DVDD pins individually with 1- μ F ceramic decoupling capacitors. The decoupling capacitors must be placed as close as possible to the device.

11 Layout

11.1 Layout Guidelines

ADCs are mixed-signal devices. For maximum performance, proper decoupling, grounding, and proper termination of digital signals is essential. Figure 55 shows the essential components around the ADC. All capacitors shown are ceramic. These decoupling capacitors must be placed close to the respective signal pins.

There is a 47-Ω *source series termination* resistor shown on the SDO signal. This resistor must be placed as close to pin 15 as possible. Series terminations for SCLK and CS must be placed close to the host.

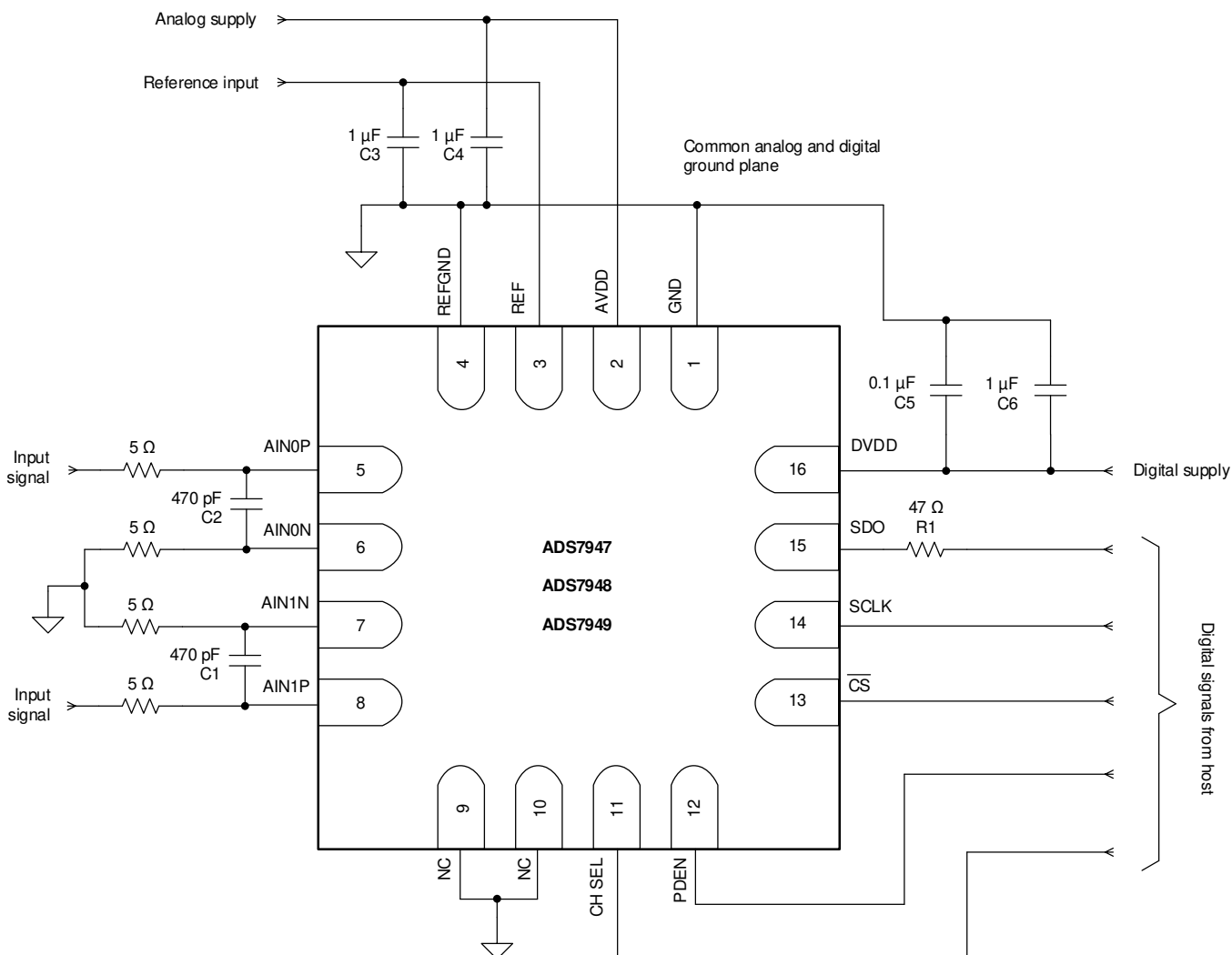


Figure 55. Recommended ADC Schematic

11.2 Layout Example

A common ground plane for both analog and digital often gives better results. Typically, the second PCB layer is the ground plane. The ADC ground pins are returned to the ground plane through multiple vias (PTH). Good practice is to place analog components on one side and digital components on other side of the ADC (or ADCs). All signals must be routed, assuming there is a split ground plane for analog and digital. Furthermore, splitting the ground initially during layout is better. Route all analog and digital traces so that the traces see the respective ground all along the second layer. Then short both grounds to form a common ground plane. [Figure 56](#) shows a typical layout around the ADC.

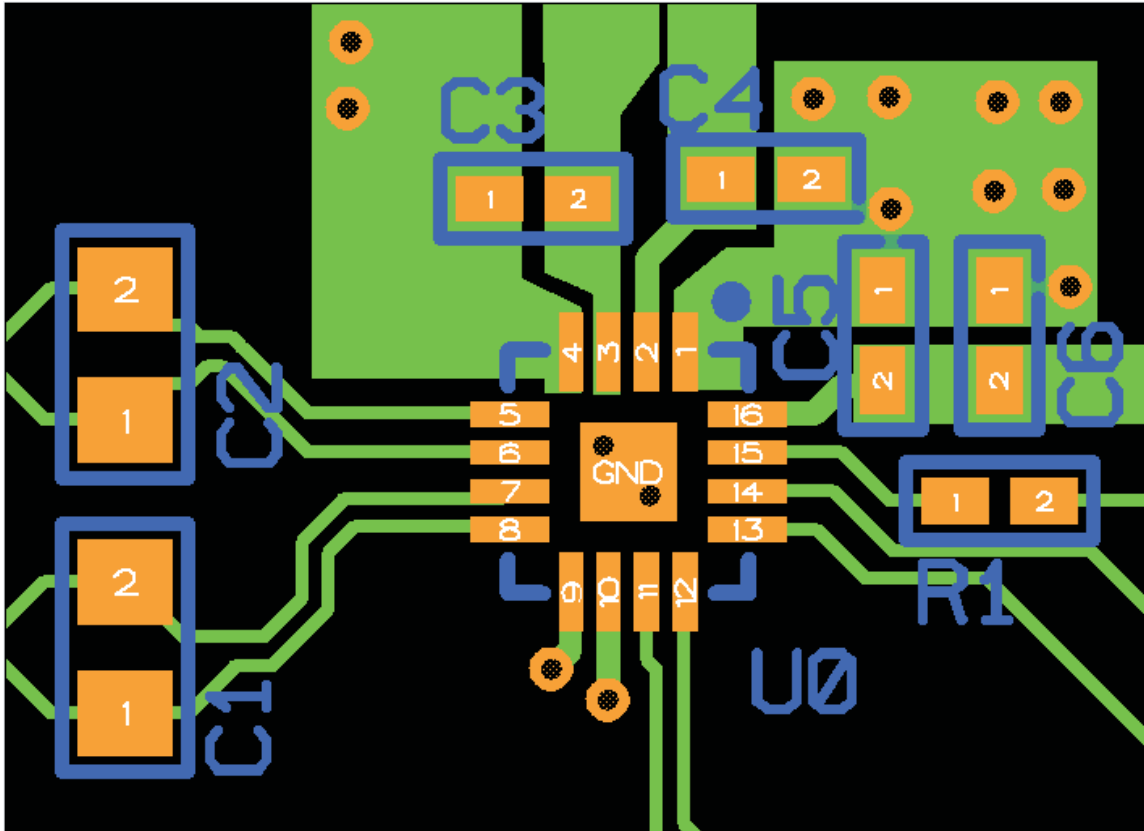


Figure 56. Recommended ADC Layout
(Only top layer is shown, second layer is common ground for analog and digital)

12 Device and Documentation Support

12.1 Related Links

The table below lists quick access links. Categories include technical documents, support and community resources, tools and software, and quick access to order now.

Table 3. Related Links

PARTS	PRODUCT FOLDER	ORDER NOW	TECHNICAL DOCUMENTS	TOOLS & SOFTWARE	SUPPORT & COMMUNITY
ADS7947	Click here	Click here	Click here	Click here	Click here
ADS7948	Click here	Click here	Click here	Click here	Click here
ADS7949	Click here	Click here	Click here	Click here	Click here

12.2 Receiving Notification of Documentation Updates

To receive notification of documentation updates, navigate to the device product folder on ti.com. In the upper right corner, click on *Alert me* to register and receive a weekly digest of any product information that has changed. For change details, review the revision history included in any revised document.

12.3 Community Resources

[TI E2E™ support forums](#) are an engineer's go-to source for fast, verified answers and design help — straight from the experts. Search existing answers or ask your own question to get the quick design help you need.

Linked content is provided "AS IS" by the respective contributors. They do not constitute TI specifications and do not necessarily reflect TI's views; see TI's [Terms of Use](#).

12.4 Trademarks

E2E is a trademark of Texas Instruments.

All other trademarks are the property of their respective owners.

12.5 Electrostatic Discharge Caution



This integrated circuit can be damaged by ESD. Texas Instruments recommends that all integrated circuits be handled with appropriate precautions. Failure to observe proper handling and installation procedures can cause damage.

ESD damage can range from subtle performance degradation to complete device failure. Precision integrated circuits may be more susceptible to damage because very small parametric changes could cause the device not to meet its published specifications.

12.6 Glossary

[SLYZ022](#) — *TI Glossary*.

This glossary lists and explains terms, acronyms, and definitions.

13 Mechanical, Packaging, and Orderable Information

The following pages include mechanical, packaging, and orderable information. This information is the most current data available for the designated devices. This data is subject to change without notice and revision of this document. For browser-based versions of this data sheet, refer to the left-hand navigation.

PACKAGING INFORMATION

Orderable Device	Status (1)	Package Type	Package Drawing	Pins	Package Qty	Eco Plan (2)	Lead finish/ Ball material (6)	MSL Peak Temp (3)	Op Temp (°C)	Device Marking (4/5)	Samples
ADS7947SRTER	ACTIVE	WQFN	RTE	16	3000	RoHS & Green	NIPDAU	Level-2-260C-1 YEAR	-40 to 125	7947	Samples
ADS7947SRTET	ACTIVE	WQFN	RTE	16	250	RoHS & Green	NIPDAU	Level-2-260C-1 YEAR	-40 to 125	7947	Samples
ADS7948SRTER	ACTIVE	WQFN	RTE	16	3000	RoHS & Green	NIPDAU	Level-2-260C-1 YEAR	-40 to 125	7948	Samples
ADS7948SRTET	ACTIVE	WQFN	RTE	16	250	RoHS & Green	NIPDAU	Level-2-260C-1 YEAR	-40 to 125	7948	Samples
ADS7949SRTER	ACTIVE	WQFN	RTE	16	3000	RoHS & Green	NIPDAU	Level-2-260C-1 YEAR	-40 to 125	7949	Samples
ADS7949SRTET	ACTIVE	WQFN	RTE	16	250	RoHS & Green	NIPDAU	Level-2-260C-1 YEAR	-40 to 125	7949	Samples

(1) The marketing status values are defined as follows:

ACTIVE: Product device recommended for new designs.

LIFEBUY: TI has announced that the device will be discontinued, and a lifetime-buy period is in effect.

NRND: Not recommended for new designs. Device is in production to support existing customers, but TI does not recommend using this part in a new design.

PREVIEW: Device has been announced but is not in production. Samples may or may not be available.

OBSOLETE: TI has discontinued the production of the device.

(2) **RoHS:** TI defines "RoHS" to mean semiconductor products that are compliant with the current EU RoHS requirements for all 10 RoHS substances, including the requirement that RoHS substance do not exceed 0.1% by weight in homogeneous materials. Where designed to be soldered at high temperatures, "RoHS" products are suitable for use in specified lead-free processes. TI may reference these types of products as "Pb-Free".

RoHS Exempt: TI defines "RoHS Exempt" to mean products that contain lead but are compliant with EU RoHS pursuant to a specific EU RoHS exemption.

Green: TI defines "Green" to mean the content of Chlorine (Cl) and Bromine (Br) based flame retardants meet JS709B low halogen requirements of <=1000ppm threshold. Antimony trioxide based flame retardants must also meet the <=1000ppm threshold requirement.

(3) MSL, Peak Temp. - The Moisture Sensitivity Level rating according to the JEDEC industry standard classifications, and peak solder temperature.

(4) There may be additional marking, which relates to the logo, the lot trace code information, or the environmental category on the device.

(5) Multiple Device Markings will be inside parentheses. Only one Device Marking contained in parentheses and separated by a "~" will appear on a device. If a line is indented then it is a continuation of the previous line and the two combined represent the entire Device Marking for that device.

(6) Lead finish/Ball material - Orderable Devices may have multiple material finish options. Finish options are separated by a vertical ruled line. Lead finish/Ball material values may wrap to two lines if the finish value exceeds the maximum column width.

Important Information and Disclaimer: The information provided on this page represents TI's knowledge and belief as of the date that it is provided. TI bases its knowledge and belief on information provided by third parties, and makes no representation or warranty as to the accuracy of such information. Efforts are underway to better integrate information from third parties. TI has taken and continues to take reasonable steps to provide representative and accurate information but may not have conducted destructive testing or chemical analysis on incoming materials and chemicals. TI and TI suppliers consider certain information to be proprietary, and thus CAS numbers and other limited information may not be available for release.

In no event shall TI's liability arising out of such information exceed the total purchase price of the TI part(s) at issue in this document sold by TI to Customer on an annual basis.

TAPE AND REEL INFORMATION

QUADRANT ASSIGNMENTS FOR PIN 1 ORIENTATION IN TAPE


*All dimensions are nominal

Device	Package Type	Package Drawing	Pins	SPQ	Reel Diameter (mm)	Reel Width W1 (mm)	A0 (mm)	B0 (mm)	K0 (mm)	P1 (mm)	W (mm)	Pin1 Quadrant
ADS7947SRTER	WQFN	RTE	16	3000	330.0	12.4	3.3	3.3	1.1	8.0	12.0	Q2
ADS7947SRTET	WQFN	RTE	16	250	180.0	12.4	3.3	3.3	1.1	8.0	12.0	Q2
ADS7948SRTER	WQFN	RTE	16	3000	330.0	12.4	3.3	3.3	1.1	8.0	12.0	Q2
ADS7948SRTET	WQFN	RTE	16	250	180.0	12.4	3.3	3.3	1.1	8.0	12.0	Q2
ADS7949SRTER	WQFN	RTE	16	3000	330.0	12.4	3.3	3.3	1.1	8.0	12.0	Q2
ADS7949SRTET	WQFN	RTE	16	250	180.0	12.4	3.3	3.3	1.1	8.0	12.0	Q2

TAPE AND REEL BOX DIMENSIONS


*All dimensions are nominal

Device	Package Type	Package Drawing	Pins	SPQ	Length (mm)	Width (mm)	Height (mm)
ADS7947SRTER	WQFN	RTE	16	3000	367.0	367.0	35.0
ADS7947SRTET	WQFN	RTE	16	250	210.0	185.0	35.0
ADS7948SRTER	WQFN	RTE	16	3000	367.0	367.0	35.0
ADS7948SRTET	WQFN	RTE	16	250	210.0	185.0	35.0
ADS7949SRTER	WQFN	RTE	16	3000	367.0	367.0	35.0
ADS7949SRTET	WQFN	RTE	16	250	210.0	185.0	35.0

GENERIC PACKAGE VIEW

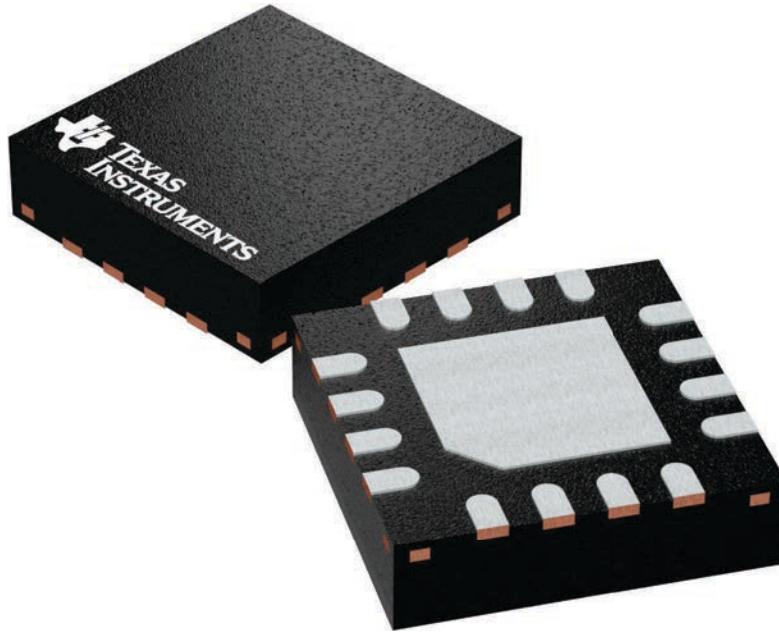
RTE 16

WQFN - 0.8 mm max height

3 x 3, 0.5 mm pitch

PLASTIC QUAD FLATPACK - NO LEAD

This image is a representation of the package family, actual package may vary.
Refer to the product data sheet for package details.



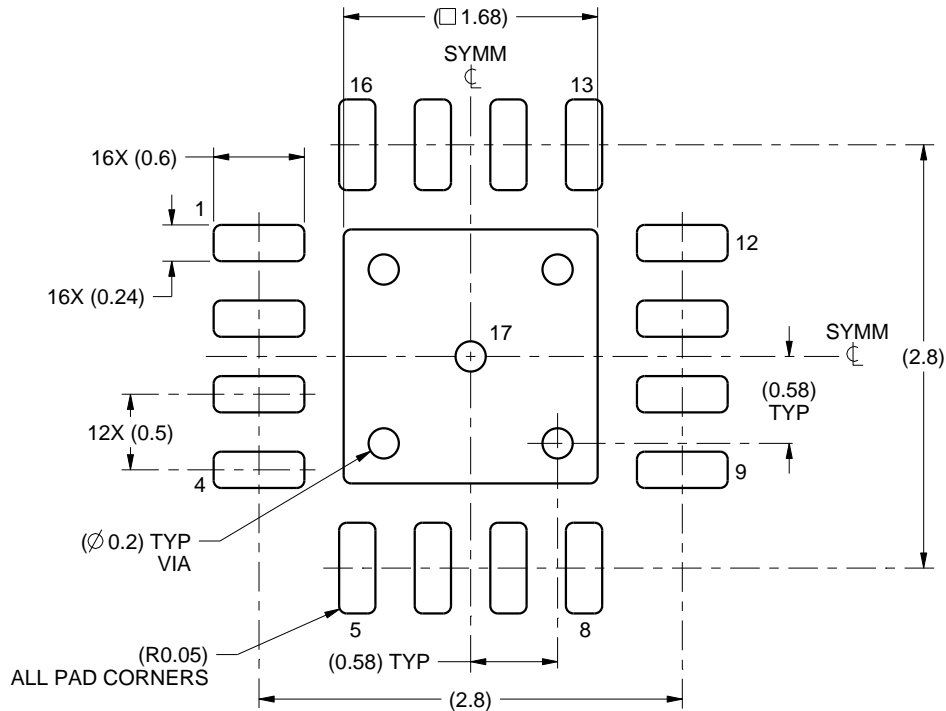
4225944/A

EXAMPLE BOARD LAYOUT

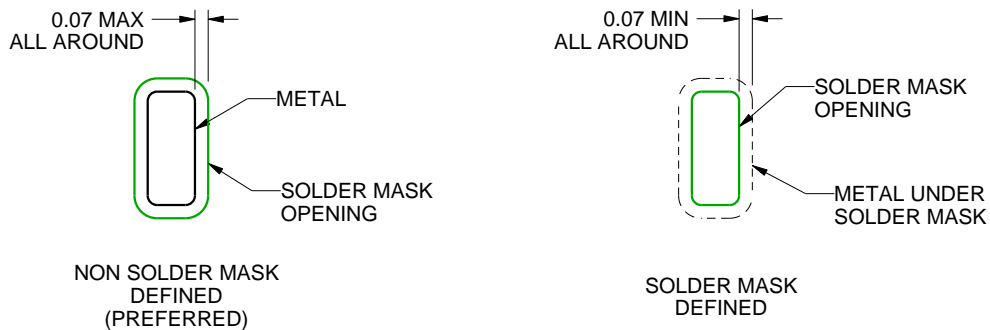
RTE0016C

WQFN - 0.8 mm max height

PLASTIC QUAD FLATPACK - NO LEAD



LAND PATTERN EXAMPLE
SCALE:20X



SOLDER MASK DETAILS

4219117/A 09/2016

NOTES: (continued)

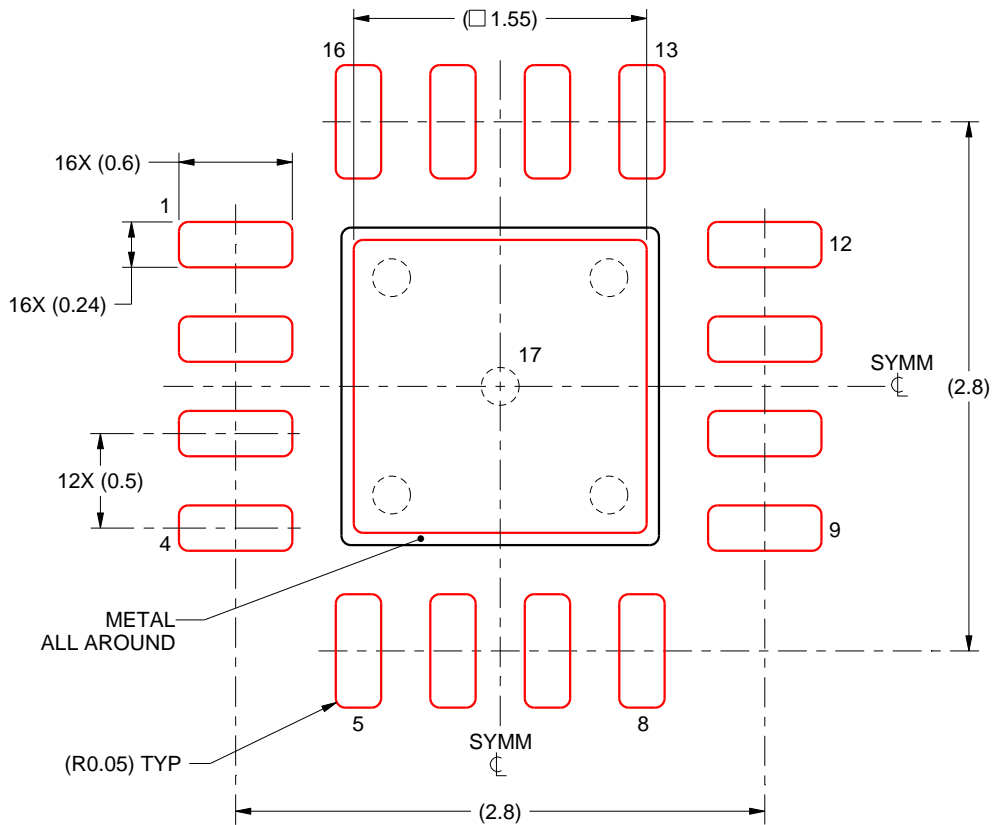
4. This package is designed to be soldered to a thermal pad on the board. For more information, see Texas Instruments literature number SLUA271 (www.ti.com/lit/slua271).
5. Vias are optional depending on application, refer to device data sheet. If any vias are implemented, refer to their locations shown on this view. It is recommended that vias under paste be filled, plugged or tented.

EXAMPLE STENCIL DESIGN

RTE0016C

WQFN - 0.8 mm max height

PLASTIC QUAD FLATPACK - NO LEAD



SOLDER PASTE EXAMPLE
BASED ON 0.125 mm THICK STENCIL

EXPOSED PAD 17:
85% PRINTED SOLDER COVERAGE BY AREA UNDER PACKAGE
SCALE:25X

4219117/A 09/2016

NOTES: (continued)

6. Laser cutting apertures with trapezoidal walls and rounded corners may offer better paste release. IPC-7525 may have alternate design recommendations.

IMPORTANT NOTICE AND DISCLAIMER

TI PROVIDES TECHNICAL AND RELIABILITY DATA (INCLUDING DATA SHEETS), DESIGN RESOURCES (INCLUDING REFERENCE DESIGNS), APPLICATION OR OTHER DESIGN ADVICE, WEB TOOLS, SAFETY INFORMATION, AND OTHER RESOURCES "AS IS" AND WITH ALL FAULTS, AND DISCLAIMS ALL WARRANTIES, EXPRESS AND IMPLIED, INCLUDING WITHOUT LIMITATION ANY IMPLIED WARRANTIES OF MERCHANTABILITY, FITNESS FOR A PARTICULAR PURPOSE OR NON-INFRINGEMENT OF THIRD PARTY INTELLECTUAL PROPERTY RIGHTS.

These resources are intended for skilled developers designing with TI products. You are solely responsible for (1) selecting the appropriate TI products for your application, (2) designing, validating and testing your application, and (3) ensuring your application meets applicable standards, and any other safety, security, regulatory or other requirements.

These resources are subject to change without notice. TI grants you permission to use these resources only for development of an application that uses the TI products described in the resource. Other reproduction and display of these resources is prohibited. No license is granted to any other TI intellectual property right or to any third party intellectual property right. TI disclaims responsibility for, and you will fully indemnify TI and its representatives against, any claims, damages, costs, losses, and liabilities arising out of your use of these resources.

TI's products are provided subject to [TI's Terms of Sale](#) or other applicable terms available either on ti.com or provided in conjunction with such TI products. TI's provision of these resources does not expand or otherwise alter TI's applicable warranties or warranty disclaimers for TI products.

TI objects to and rejects any additional or different terms you may have proposed.

Mailing Address: Texas Instruments, Post Office Box 655303, Dallas, Texas 75265
Copyright © 2022, Texas Instruments Incorporated