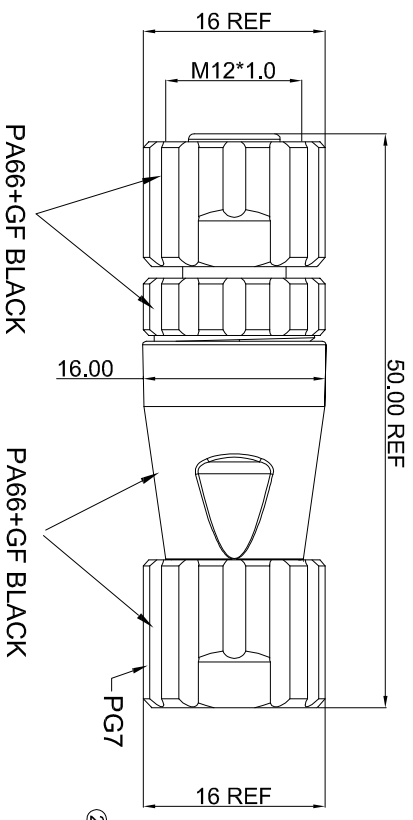
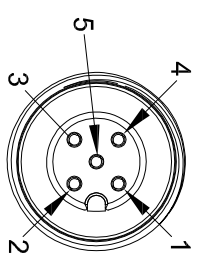


1 2 3 4 5 6 7



Electrical Character

Part Number	Contacts	Rated Voltage		Rated Current	Cable OD (mm)
		A/C	D/C		
A-M12-03-FGPA-GHB1		250V	250V	4A	4~6
A-M12-04-FGPA-GHB1		250V	250V	4A	4~6
A-M12-05-FGPA-GHB1		60V	60V	4A	4~6
A-M12-08-FGPA-GHB1		30V	30V	2A	4~6

- ②Notes:
1. Waterproof connector rating is IP67/IP68
 2. Contact PIN: Brass with 1u" Gold plating
 3. Coupling nut/screw: PA66+GF Black UL94V-0
 4. Insulation plastic: PA66+GF Black UL94V-0
 5. Insulation resistance: >100MΩ
 6. Contact resistance of connector: ≤10mΩ
 7. Mating Cycle: 100 times Min, 500 times Max.
 8. Operating temperature: -20°C ~ +85°C
 - ① 9. Unshielded

RoHS compliant

Unit: mm

Scale	Free								
TOLERANCE									
.X	±0.5								
.XX	±0.20	②	Remove "resistance many oils and chemical" from notes	06.09.2019	Any	Approved	06.09.2019	Any	
DIM	TOL	①	Update the notes	26.04.2019	Segal	Drawn	10.07.2018	Segal	
X.°	±2.0°	①	Drawn	10.07.2018	Segal				
.X°	±1.0°	①							
Angle	TOL	Id.	Modification	Date	Name				

1 2 3 4 5 6 7



ASS 8041 CO

rev02

Customer-No.
ASSMANN WSW-No.
A-M12-XX-FGPA-GHB1

Drawing-No.

Replace

Sheet