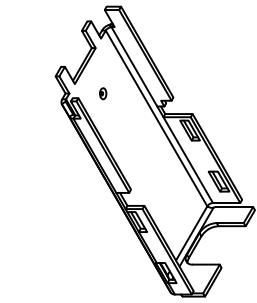
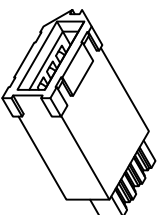


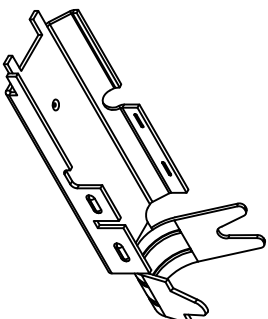
DATE	DESCRIPTION	REV.
8.9.99	CHANGE AS PER ECN 99-054	A
6.7.05	CHANGE AS PER ECN 05-030	B
12.08.10	CHANGE AS PER ECN 10-085	C
3.11.16	CHANGE AS PER ECN 16-038	D
11.15.21	CHANGE AS PER ECN 21-131 (E1) WAS 31.47mm, (E2) WAS 5.33 mm	E



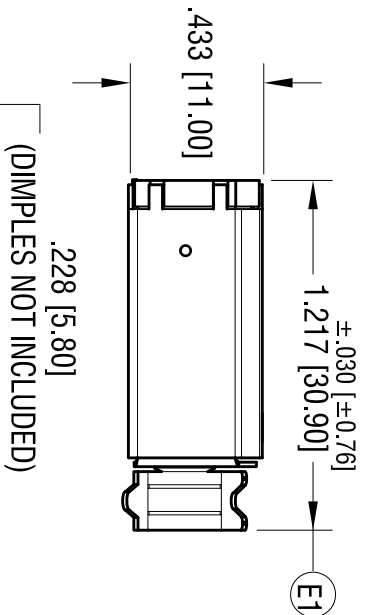
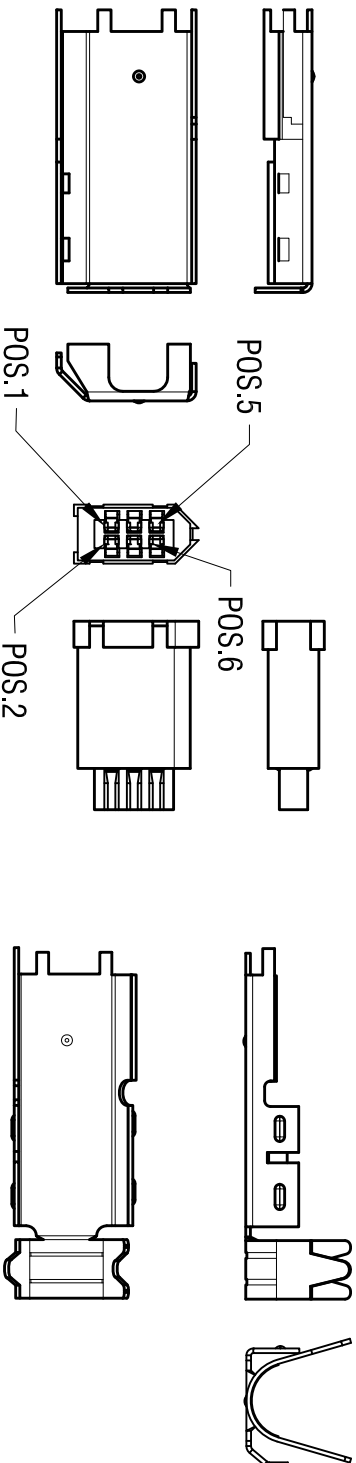
FRONT SHELL



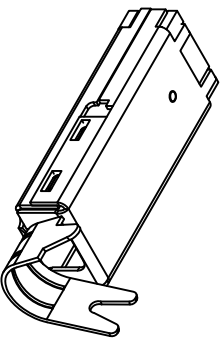
INNER HOUSING / TERMINALS



REAR SHELL



ASSEMBLY



Notes:

- Shell: Matt: Steel,
- Finish: Nickel Plate over Copper.
- Insulator: Matt: Thermoplastic UL 94V-0
- Contacts: Matt: Bronze
- Finish: Gold Plate over Nickel Plate on Contact Area.
- Tin Plate over Nickel Plate on Solder Tail.

KEYSTONE ELECTRONICS CORP.

www.keyelco.com • NEW HYDE PARK, NY 11040 • Tel (516) 328-7500

PART NAME

IEEE 1394 FIREWIRE PLUG

MATERIAL

AS NOTED

FINISH

AS NOTED

TOLERANCES	INCH	[MM]	CODE
DECIMAL	± .010	[± 0.25]	C
ANGULAR	± 1°		

DRN BY	DATE	APP'D	SCALE	DWG NO.
BOONE	5.22.98	RH	1.5X	928

THIS DOCUMENT IS THE PROPERTY OF KEYSTONE ELECTRONICS CORP. AND SHALL NOT BE REPRODUCED, DISTRIBUTED OR USED AS A BASIS FOR MANUFACTURE WITHOUT PRIOR WRITTEN PERMISSION FROM KEYSTONE ELECTRONICS CORP.