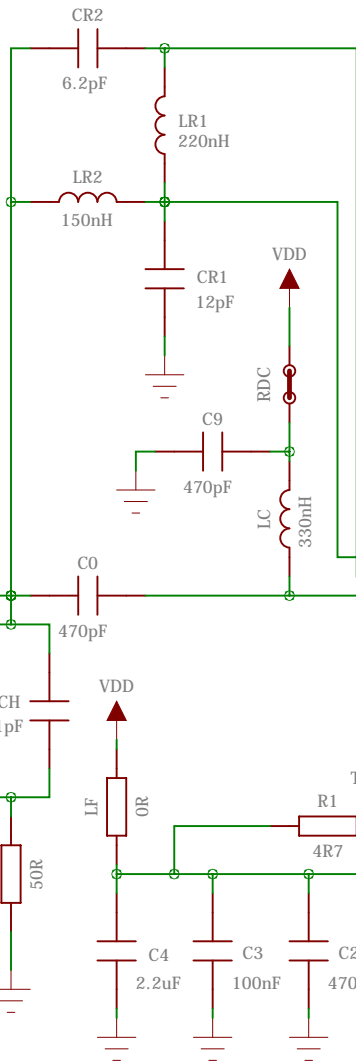
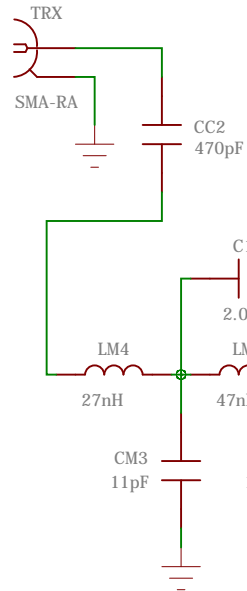
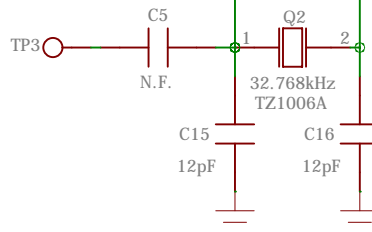
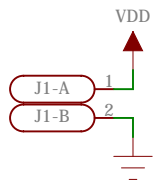


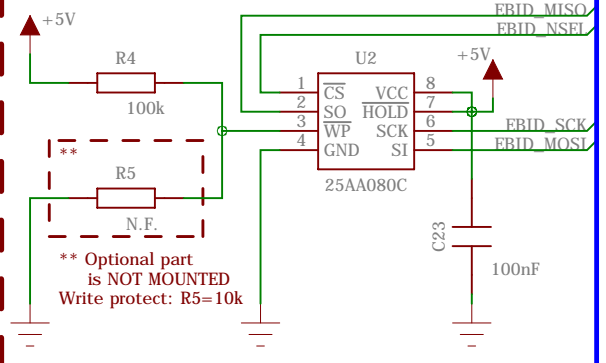
500ohm load



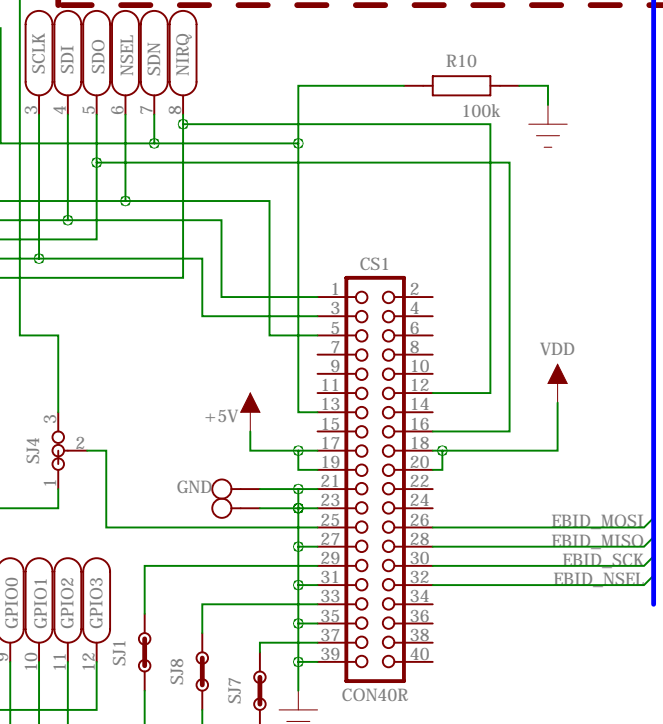
Si4463 B0 SQW Direct-tie matching for 169MHz +20 dBm



Board Identification EEPROM



\*\* Optional part is NOT MOUNTED Write protect: R5=10k



**SILICON LABS** **SILICON LABORATORIES**

TITLE: **4463-TSQ20D169**

Size A4	DATE: Sep.07.2011.	REV: V1.4	SHEET: 1 OF 1
---------	--------------------	-----------	---------------