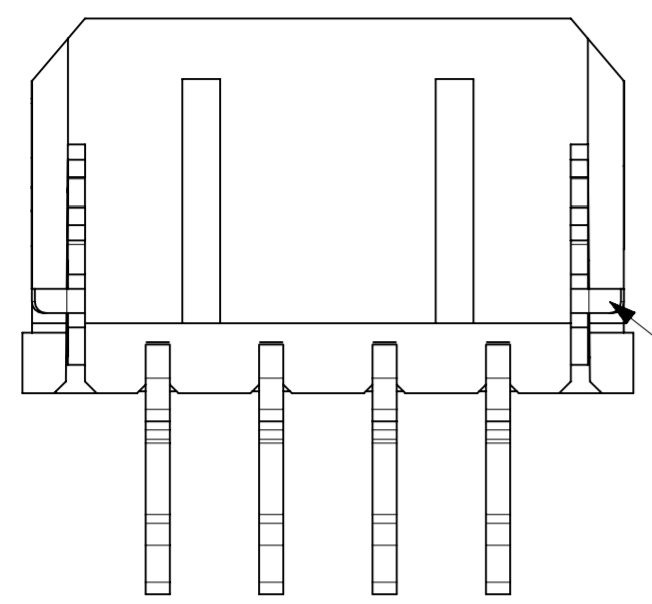
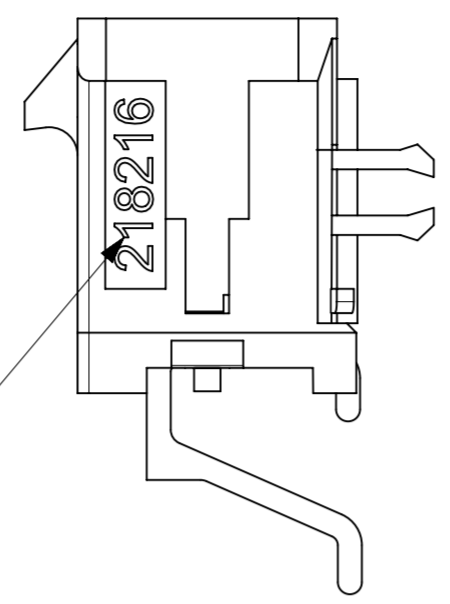


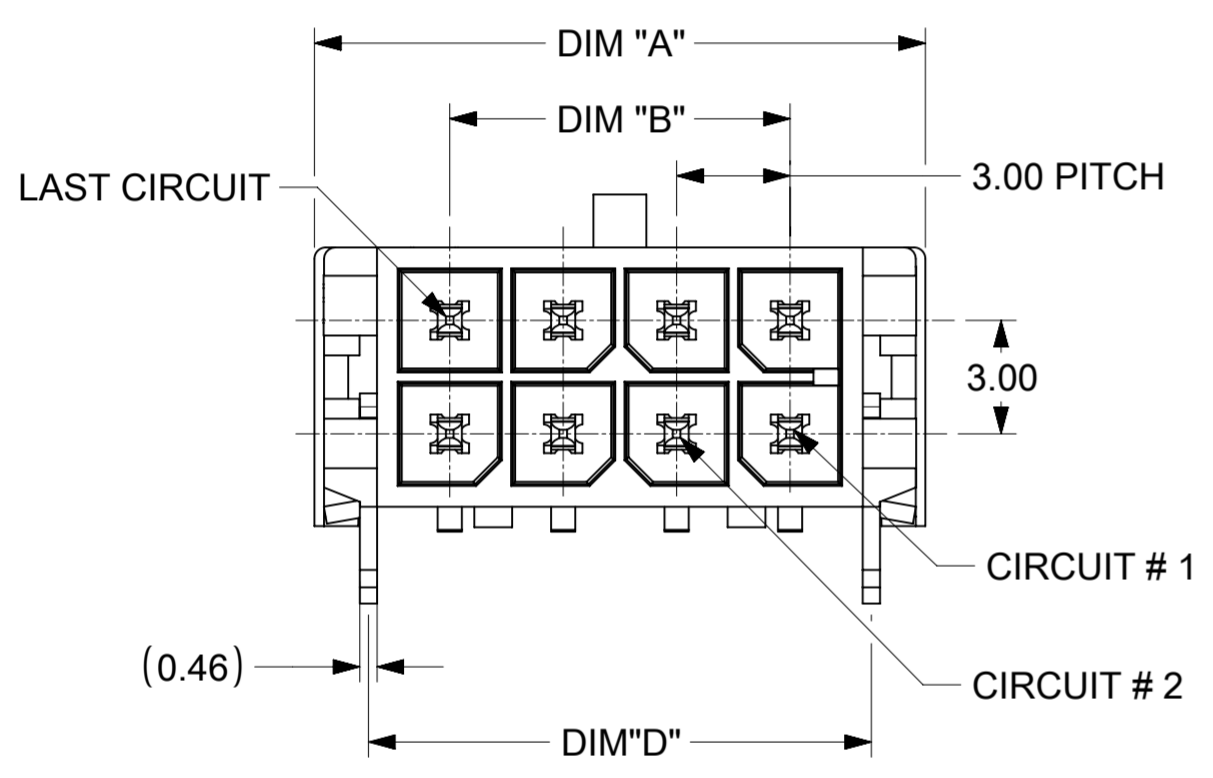
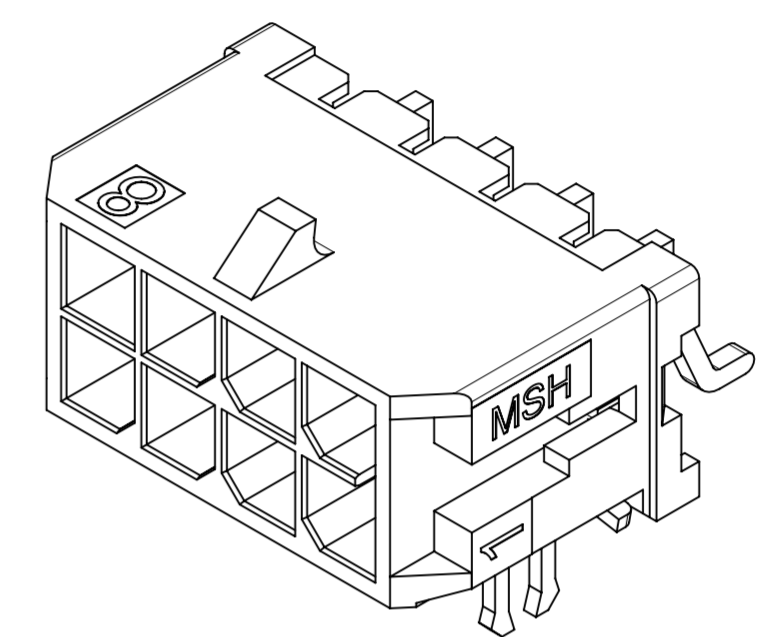
FINISH TYPE	TIN		15MICROINCH GOLD	30MICROINCH GOLD				
	CKT	HDR ASSY PN	HDR ASSY PN	HDR ASSY PN	A	B	C	D
2	2182160210	2182160211	2182160212		7.16	NA	2.95	4.30
4	2182160410	2182160411	2182160412		10.16	3.00	2.95	7.30
6	2182160610	2182160611	2182160612		13.16	6.00	2.95	10.30
8	2182160810	2182160811	2182160812		16.16	9.00	7.70	13.30



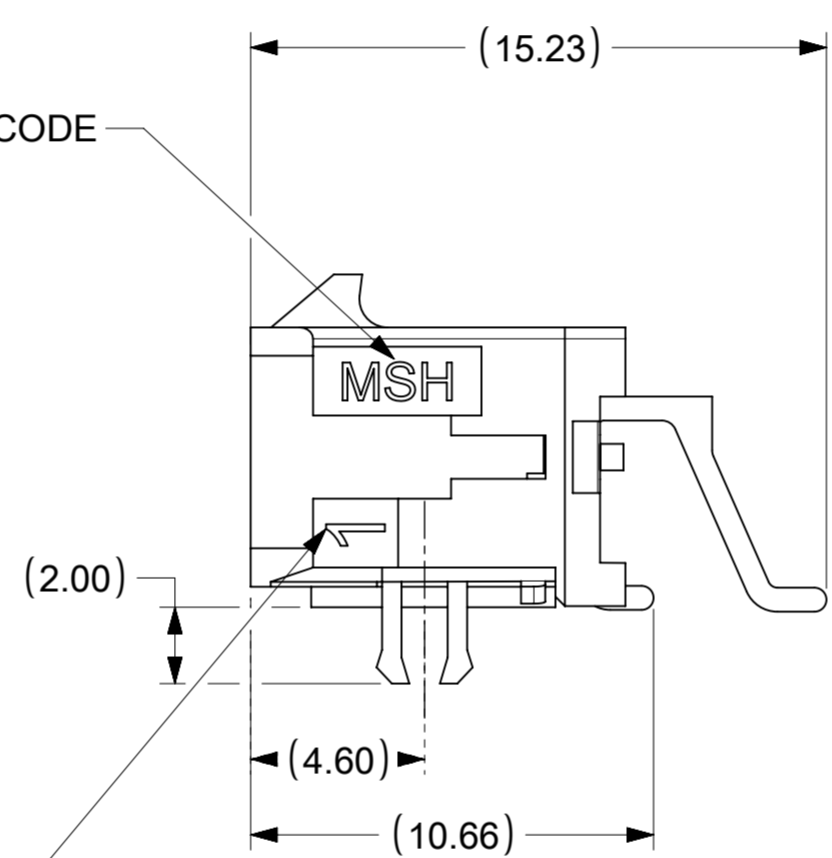
LOCK TANG



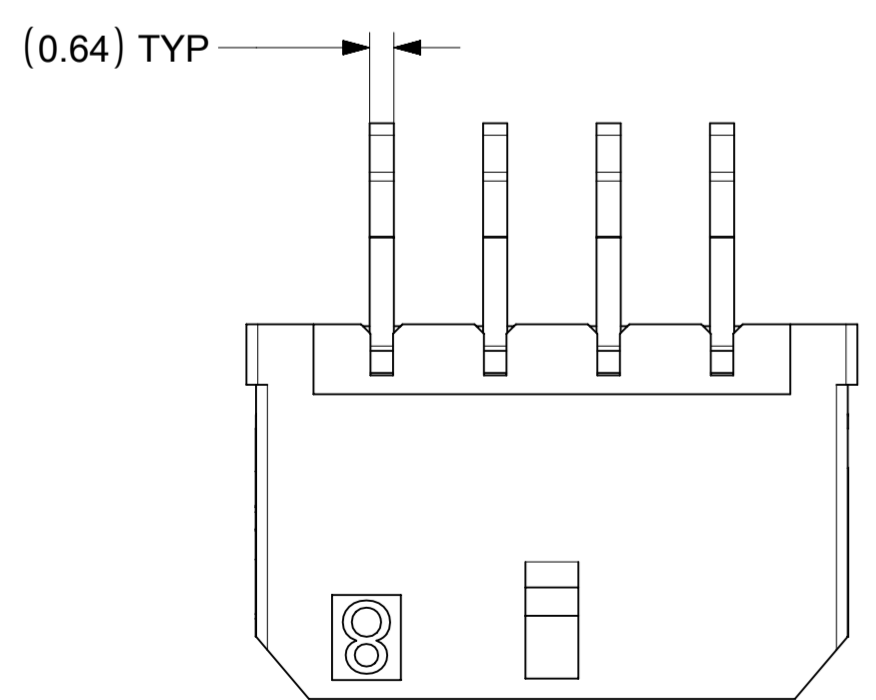
SERIES NO



PLANT CODE



FIRST CKT INDICATOR (APPROX. LOCATION SHOWN FOR REF.)



LEGEND

218216 - * * * *

SERIES NO. _____

CKT NO. _____

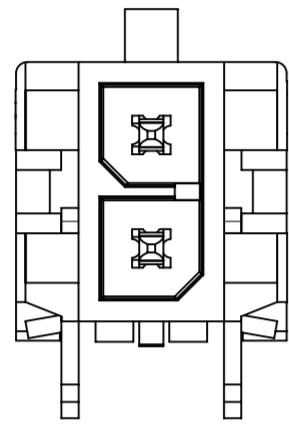
- OPTION**
- 0: RIGHT ANGLE WITH NAIL
 - 1: RIGHT ANGLE WITH CLIP
 - 2: VERTICAL WITH NAIL
 - 3: VERTICAL WITH CLIP

- PLATING OPTION**
- 0: TIN
 - 1: 15MICROINCH AU
 - 2: 30MICROINCH AU

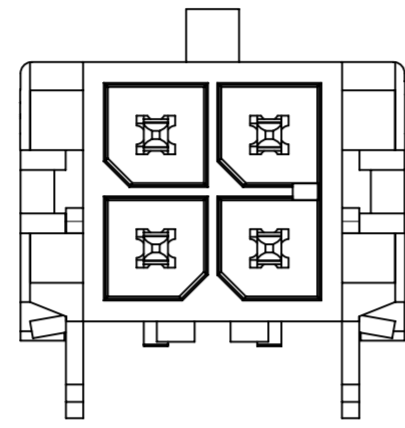
NOTES:

1. HOISING MATERIAL: GLASS FILLED LIQUID CRYSTAL POLYMER, UL 94V-0, COLOR: BLACK
TERMINAL MATERIAL: HIGH COPPER ALLOY
2. FINISH:
OPTION 1: REFLOW MATTE TIN OVER NICKEL
OPTION 2: SELECT 15MICROINCH GOLD AND SELECT MATTE TIN OVER NICKEL.
OPTION 3: SELECT 30MICROINCH GOLD AND SELECT MATTE TIN OVER NICKEL.
3. PRODUCT SPECIFICATION : 2064600000-PS
4. PRODUCT TEST SUMMARY: 2064600000-TS
5. T&R PACK : 2182160001-PK
6. MATE WITH RECEPTACLE 206461
7. TO AVOID INTERFERENCE BETWEEN RECEPTACLE AND PCB HEADERS MUST BE PLACED WITHIN,4.00MAX FROM THE EDGE OF PCB, AS SHOWN IN THE LOCATION DETAILS
8. METAL TAB MAY BE FLUSH WITH PCB, NO EXPOSED TRACE OR VIAS ALLOWED NEAR THESE AREAS.
9. THE COPLANARITY DIMENSION IS ESTABLISHED BY PLACING THE ASSEMBLY ON A FLAT SURFACE. THE DISTANCE FROM THAT SURFACE TO THE BOTTOM OF ANY TERMINAL OR NAIL MUST NOT EXCEED 0.15
10. THIS PART CONFORMS TO CLASS 'B' REQUIREMENTS OF COSMETIC SPECIFICATION PS-45499-002.

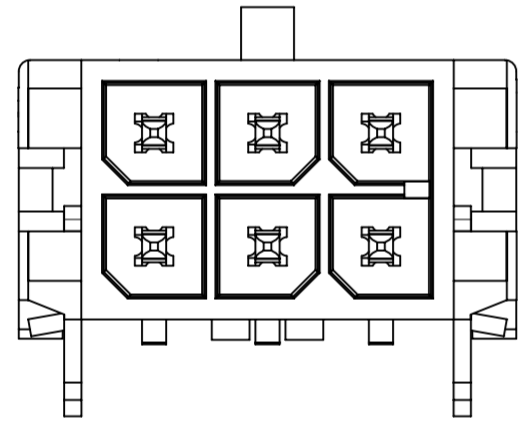
THIS DRAWING CONTAINS INFORMATION THAT IS PROPRIETARY TO MOLEX ELECTRONIC TECHNOLOGIES, LLC AND SHOULD NOT BE USED WITHOUT WRITTEN PERMISSION									
DIMENSION UNITS	SCALE	CURRENT REV DESC:							
mm	NTS								
GENERAL TOLERANCES (UNLESS SPECIFIED)						MICRO-FIT PLUS DUAL ROW RIGHT ANGLE SMT HEADER WITH PRESS CLIP PRODUCT CUSTOMER DRAWING			
ANGULAR TOL	± 3.0°								
4 PLACES	±	EC NO: 724761				DOCUMENT NUMBER: 2182160010-SD DOC TYPE: PSD DOC PART: 000 REVISION: A			
3 PLACES	±	DRWN: ALU002	2021/04/21						
2 PLACES	± 0.25	CHK'D: XQZHANG	2022/10/17			MATERIAL NUMBER: SEE TABLE CUSTOMER: GENERAL MARKET SHEET NUMBER: 1 OF 2			
1 PLACE	± 0.36	APPR: XQZHANG	2022/10/17						
0 PLACES	±	INITIAL REVISION:							
DRAFT WHERE APPLICABLE MUST REMAIN WITHIN DIMENSIONS		DRWN: ALU002	2021/04/21						
THIRD ANGLE PROJECTION		APPR: XQZHANG	2022/10/17						
DRAWING		SERIES		MATERIAL NUMBER		CUSTOMER		SHEET NUMBER	
A2-SIZE		218216		SEE TABLE		GENERAL MARKET		1 OF 2	



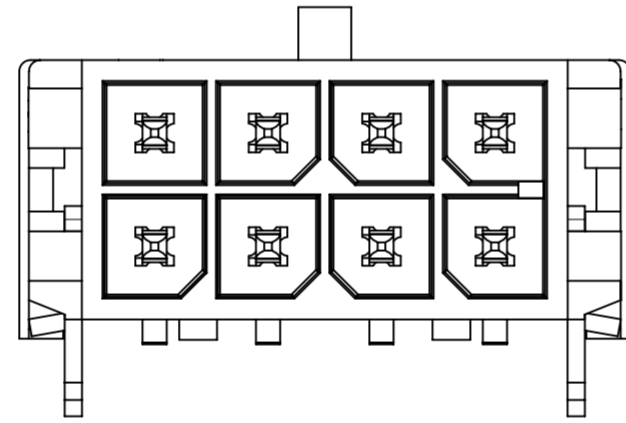
2CKT



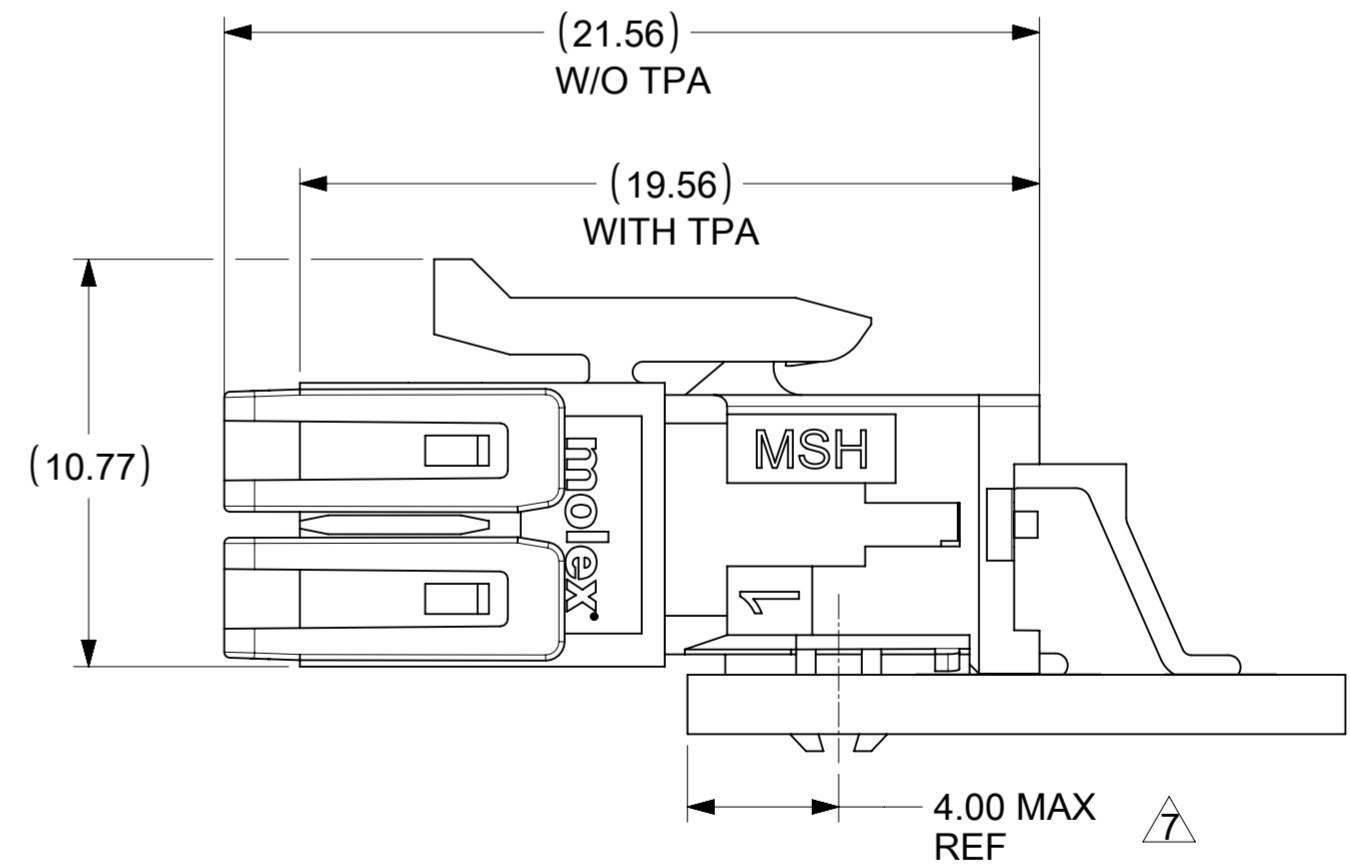
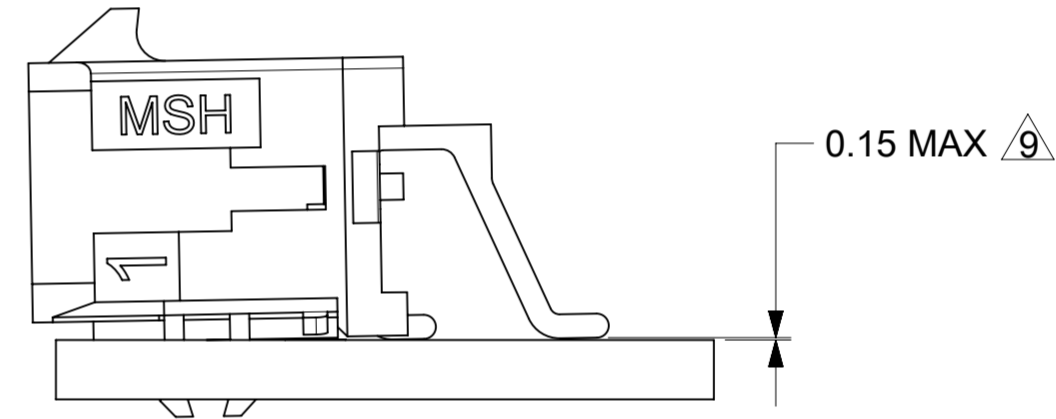
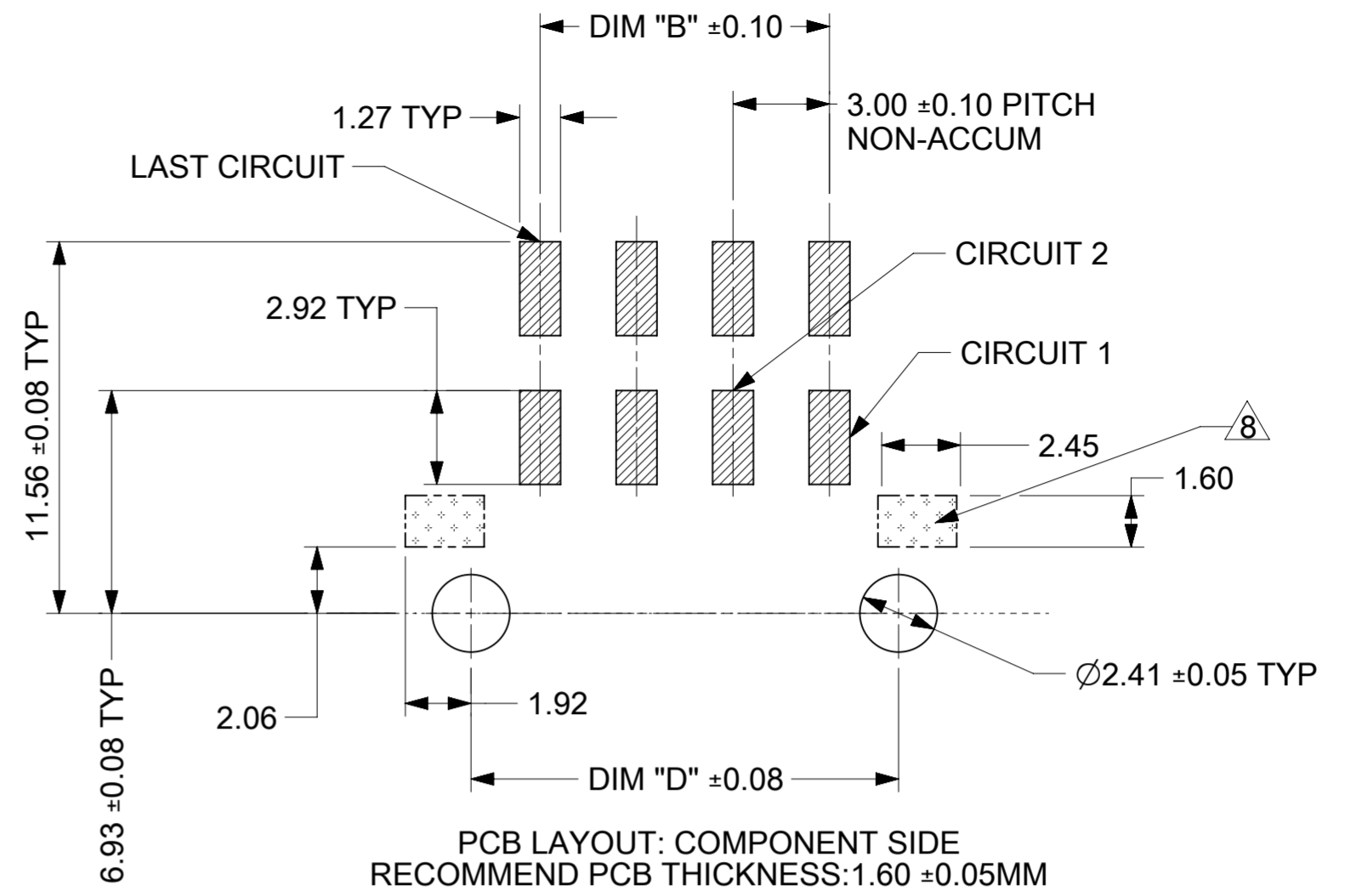
4CKT



6CKT



8CKT



THIS DRAWING CONTAINS INFORMATION THAT IS PROPRIETARY TO MOLEX ELECTRONIC TECHNOLOGIES, LLC AND SHOULD NOT BE USED WITHOUT WRITTEN PERMISSION

DIMENSION UNITS	SCALE	CURRENT REV DESC:		molex				
mm	NTS							
GENERAL TOLERANCES (UNLESS SPECIFIED)				MICRO-FIT PLUS DUAL ROW RIGHT ANGLE SMT HEADER WITH PRESS CLIP				
ANGULAR TOL ± 3.0°				PRODUCT CUSTOMER DRAWING				
4 PLACES	±	EC NO: 724761	2021/04/21	DOCUMENT NUMBER				
3 PLACES	±	DRWN: ALU002	2022/10/17	2182160010-SD				
2 PLACES	± 0.25	CHK'D: XQZHANG	2022/10/17	DOC TYPE	DOC PART	REVISION		
1 PLACE	± 0.36	APPR: XQZHANG	2022/10/17	PSD	000	A		
0 PLACES	±	INITIAL REVISION:		SHEET NUMBER				
DRAFT WHERE APPLICABLE MUST REMAIN WITHIN DIMENSIONS				THIRD ANGLE PROJECTION	DRAWING	SERIES	MATERIAL NUMBER	CUSTOMER
					A2-SIZE	218216	SEE TABLE	GENERAL MARKET
DOCUMENT STATUS				2 OF 2				