

wall thickness 2,1-4,5

seal compressed

8

mating face acc. to IEC 60603-7

1

contact position

SW18

contact position

2

A

M16x1,5

12

9,5

34

46

(21,5)

contact position

1

4

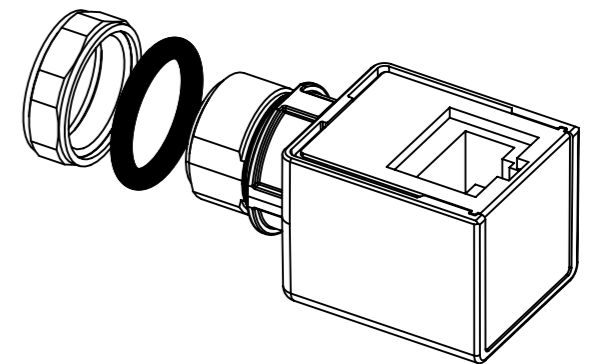
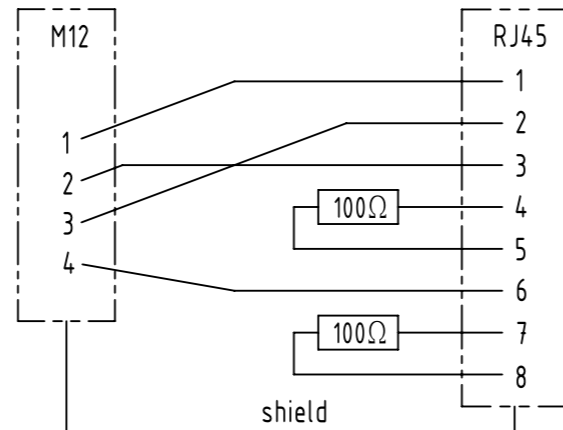
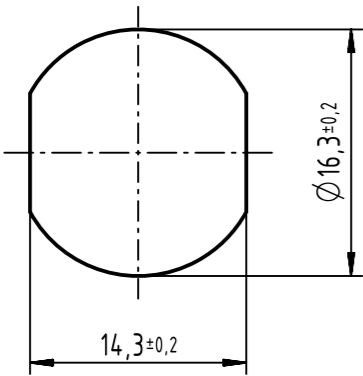
3

24

A

panel cut out

circuit diagram



	All rights reserved Department EL PD	All Dimensions in mm Original Size DIN A3		Scale 2:1	Free size tol.	Ref. Sub.
		Title adapter M12-RJ45 angled	Created by HASSEBROCKS	Inspected by EISFELD	Standardisation 302077	Date 2021-02-25
HARTING D-32339 Espelkamp	Type TB	Number 21033814401		Doc-Key / ECM-Nr. 100513256/UGD/008/F 500000189929	Rev. F	Page 1/1