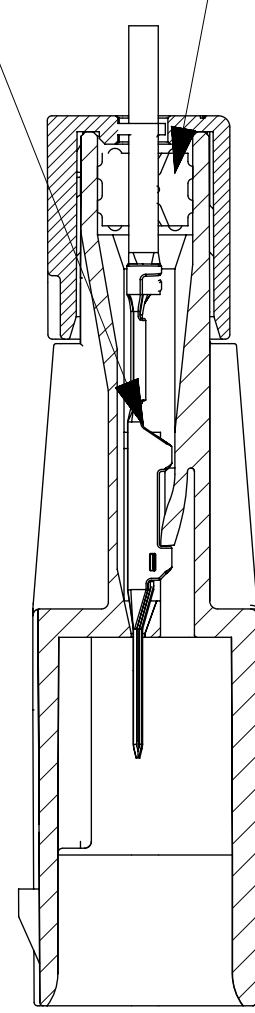


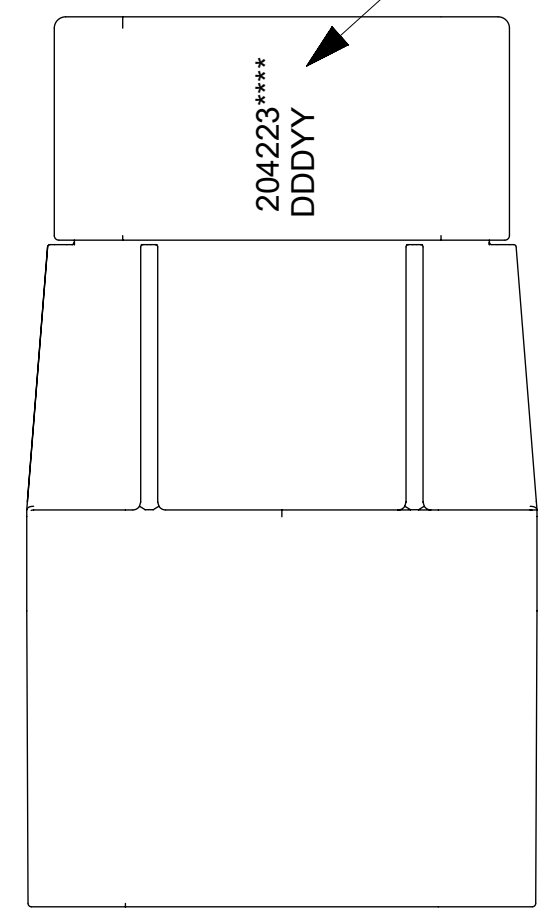
TERMINAL SHOWN INSERTED INTO HOUSING FOR REF ONLY

MATTE SEAL

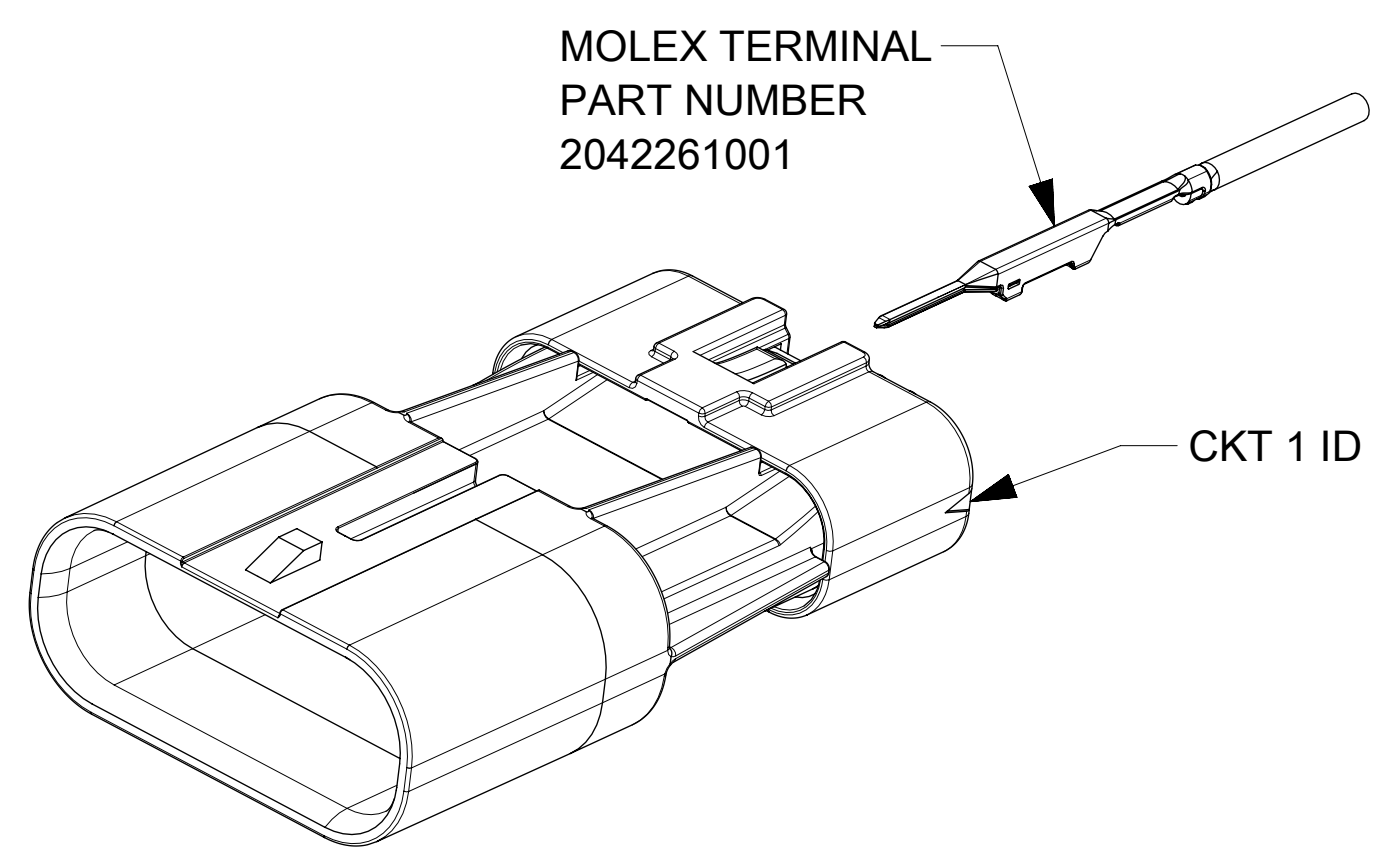
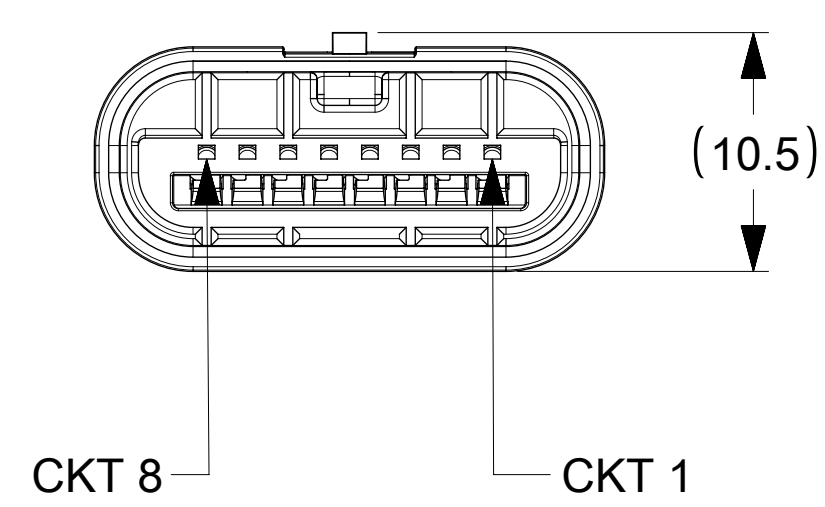
LASER MARKED THIS SURFACE WITH MOLEX PART NUMBER AND JULIAN DATE CODE: DDDYY



SECTION A-A



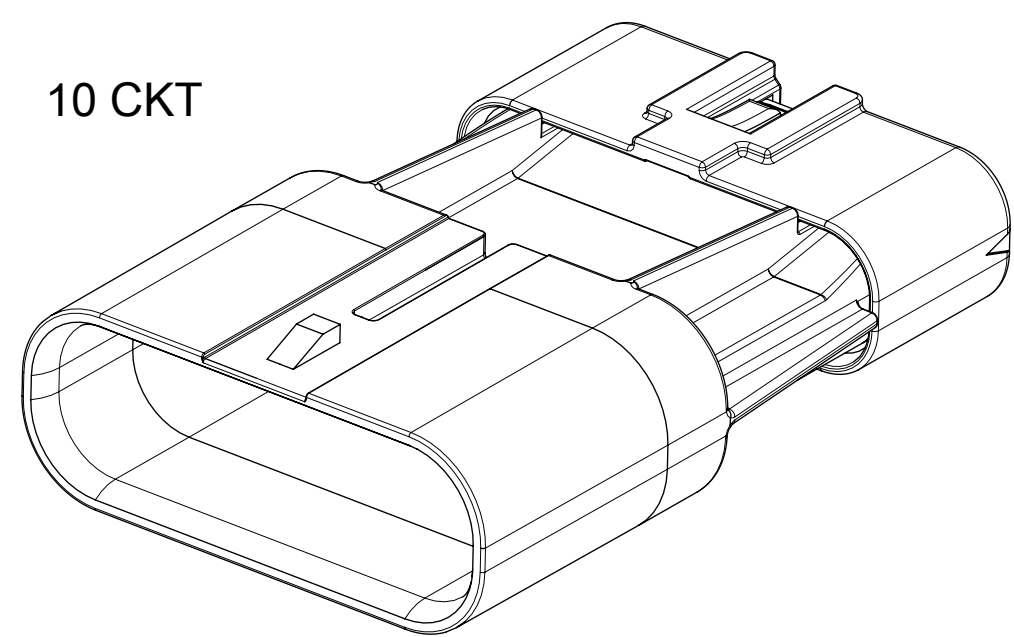
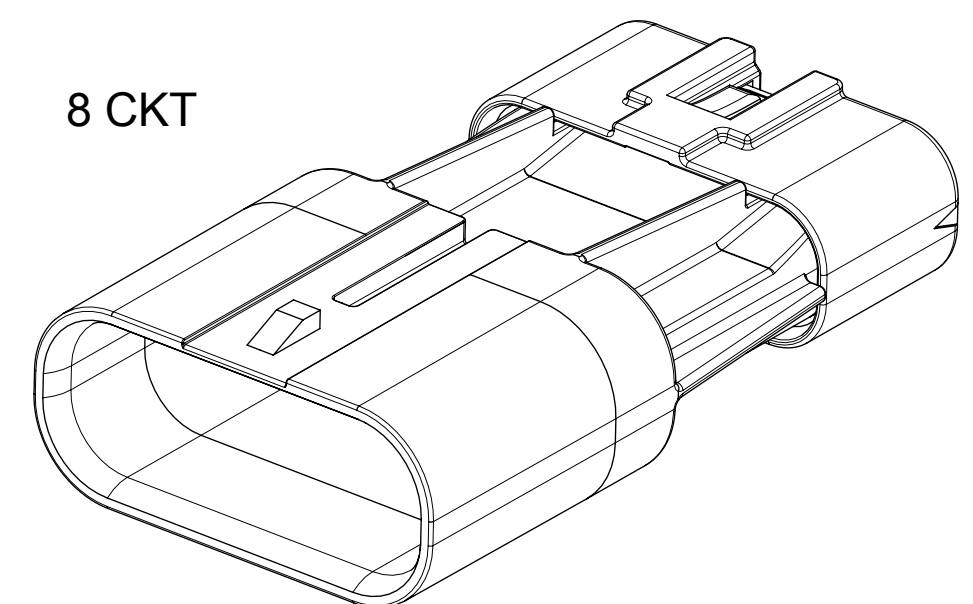
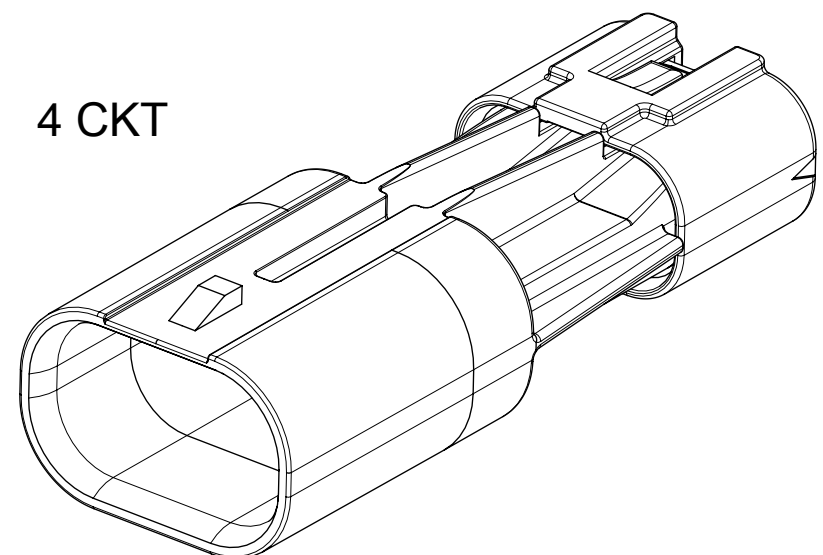
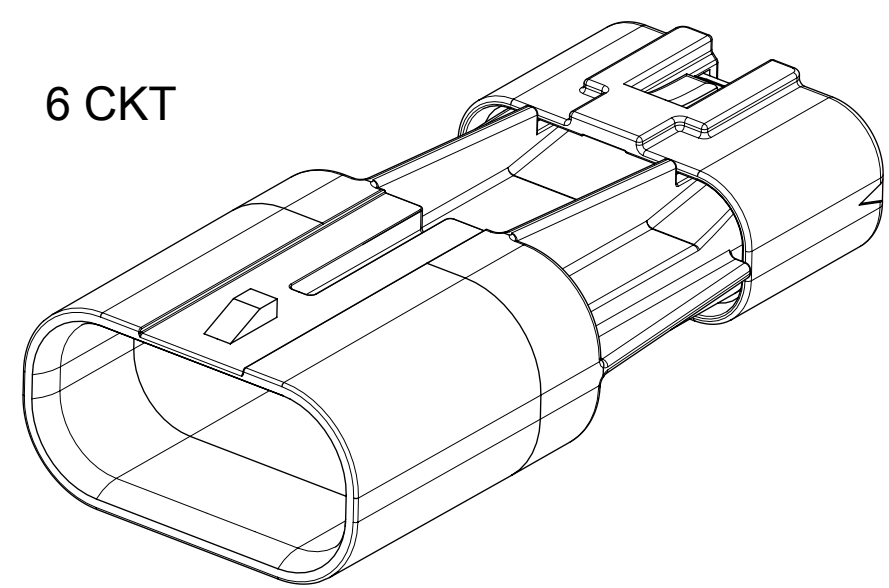
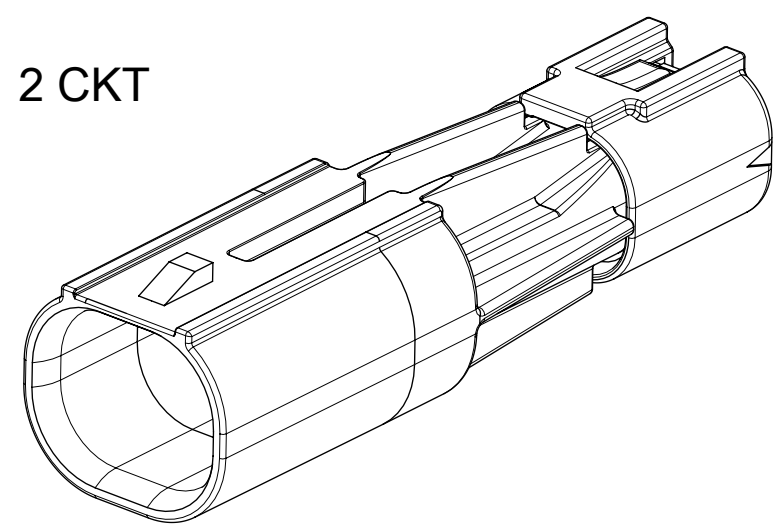
- NOTES:
- MATERIAL:
HOUSING & REAR SEAL CAP: NYLON, UL94V-0, BLACK
SEALS: INHERENTLY LUBRICATED SILICONE
 - FINISH: NONE
 - PRODUCT SPECIFICATION: 2042200000-PS
 - APPLICATION SPECIFICATION: 2042200000-AS
 - (B1) PACKAGING SPECIFICATION: 2042230000-PK, 2042230100-PK
 - THIS PART MATES WITH RECEPTACLE SERIES 204220.
 - THIS PART USES TERMINAL PART NUMBER 2042261001.
 - THIS PART CONFORMS TO CLASS 'C' REQUIREMENTS OF COSMETIC SPECIFICATION PS-45499-002.
 - VOIDED CIRCUITS HAVE A PLUG IN THE MATTE SEAL TO SEAL THE CIRCUIT AND WILL NOT ACCEPT TERMINALS.
 - THE 7MM CLIP SLOT CONFORMS TO EWCAP-005 REV D



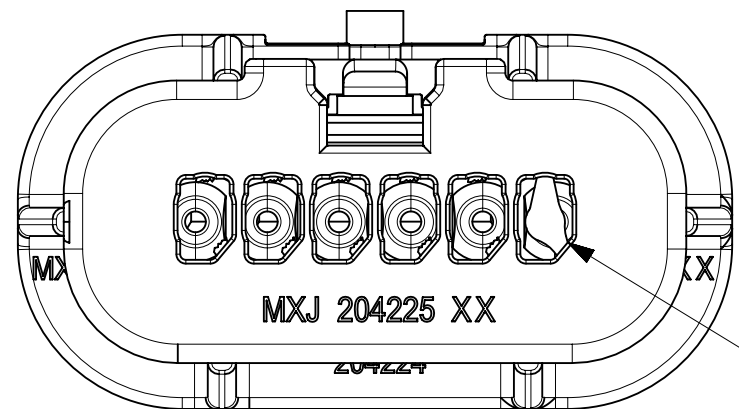
CIRCUIT SIZE	DIM A
2	11.7
4	15.3
6	18.9
8	22.5
10	26.1

FUNCTIONAL SYMBOLS $\nabla_A = 0$ $\nabla_C = 0$ $\nabla_P = 0$	THIS DRAWING CONTAINS INFORMATION THAT IS PROPRIETARY TO MOLEX ELECTRONIC TECHNOLOGIES, LLC AND SHOULD NOT BE USED WITHOUT WRITTEN PERMISSION	SCALE		CURRENT REV DESC:									
	DIMENSION UNITS	mm	3:1	EC NO: 724638									
	GENERAL TOLERANCES (UNLESS SPECIFIED)		ANGULAR TOL ± °		4 PLACES ±		DRWN: VENKAS5 2022/10/13		PLUG ASSEMBLY SQUBA 1.8				
	DIVISIONAL SYMBOLS		3 PLACES ±		2 PLACES ±		CHK'D: VENKAS5 2022/10/13						
DRAFT WHERE APPLICABLE MUST REMAIN WITHIN DIMENSIONS		THIRD ANGLE PROJECTION		DRAWING		SERIES		MATERIAL NUMBER		CUSTOMER		SHEET NUMBER	
				C-SIZE		204223		SEE TABLE		GENERAL MARKET		1 OF 3	

CIRCUIT SIZE	MATERIAL NUMBER	VOIDED CIRCUIT SEE NOTE 9	CLIP SLOT VERSION
2	204223-0002	NONE	NO
4	204223-0004	NONE	NO
6	204223-0006	NONE	NO
8	204223-0008	NONE	NO
10	204223-0010	NONE	NO
2	204223-9902	ALL CIRCUITS VOIDED	NO
4	204223-9904	ALL CIRCUITS VOIDED	NO
6	204223-9906	ALL CIRCUITS VOIDED	NO
8	204223-9908	ALL CIRCUITS VOIDED	NO
10	204223-9910	ALL CIRCUITS VOIDED	NO
4	204223-4004	4	NO
6	204223-6006	6	NO
8	204223-8008	8	NO
10	204223-1110	10	NO
8	204223-9808	1,2,5,6	NO
8	204223-9708	5	NO
8	204223-9608	3,6	NO
2	204223-0102	NONE	YES
4	204223-0104	NONE	YES
6	204223-0106	NONE	YES
8	204223-0108	NONE	YES
10	204223-0110	NONE	YES



AVAILABLE CIRCUIT SIZES

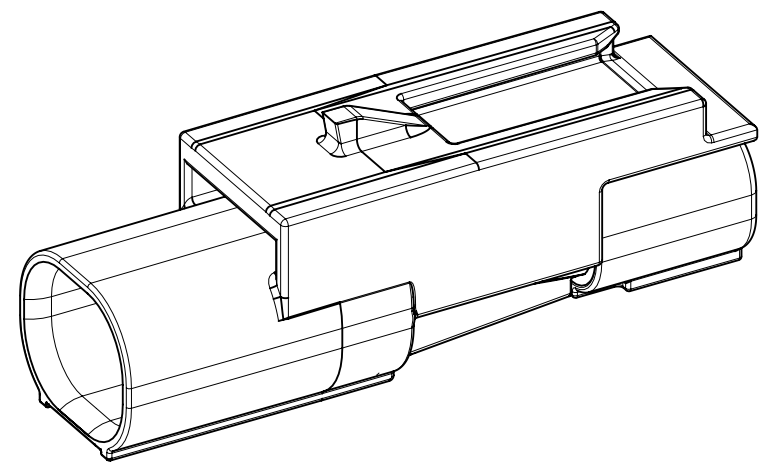


VOIDED CIRCUIT(S)
HAVE PLUG(S) PRESENT
SEE NOTE 9

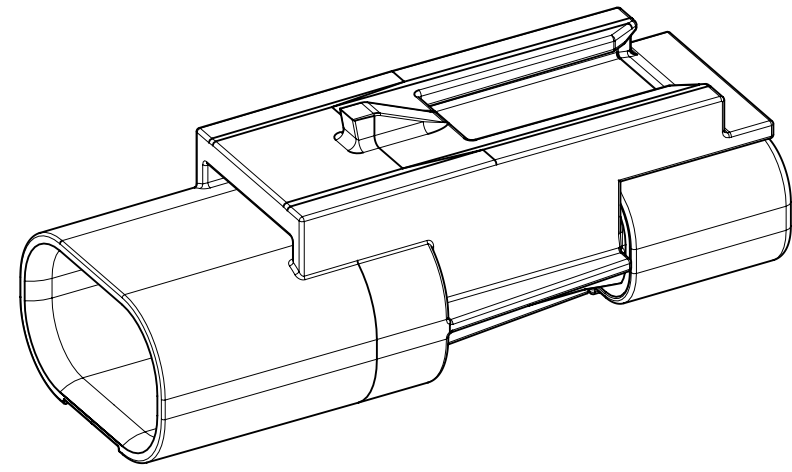
FUNCTIONAL SYMBOLS $\nabla_A = 0$ $\nabla_C = 0$ $\nabla_P = 0$ DIVISIONAL SYMBOLS 4 PLACES \pm 3 PLACES \pm 2 PLACES \pm 1 PLACE ± 0.2 0 PLACES \pm	THIS DRAWING CONTAINS INFORMATION THAT IS PROPRIETARY TO MOLEX ELECTRONIC TECHNOLOGIES, LLC AND SHOULD NOT BE USED WITHOUT WRITTEN PERMISSION DIMENSION UNITS: mm SCALE: 3:1		CURRENT REV DESC: EC NO: 724638 DRWN: VENKAS5 2022/10/13 CHK'D: VENKAS5 2022/10/13 APPR: MRAMAKRISHNA 2022/10/19						
	GENERAL TOLERANCES (UNLESS SPECIFIED) ANGULAR TOL \pm °		INITIAL REVISION: DRWN: TGREGORI 2017/05/03 APPR: RHODGE 2018/01/26					PLUG ASSEMBLY SQUBA 1.8	
	DRAFT WHERE APPLICABLE MUST REMAIN WITHIN DIMENSIONS		THIRD ANGLE PROJECTION 	DRAWING C-SIZE	SERIES 204223	DOCUMENT NUMBER 2042230000-SD	DOC TYPE PSD	DOC PART 000	REVISION B1
	MATERIAL NUMBER SEE TABLE		CUSTOMER GENERAL MARKET		SHEET NUMBER 2 OF 3				

CONFIGURATIONS
SCALE : 3:1

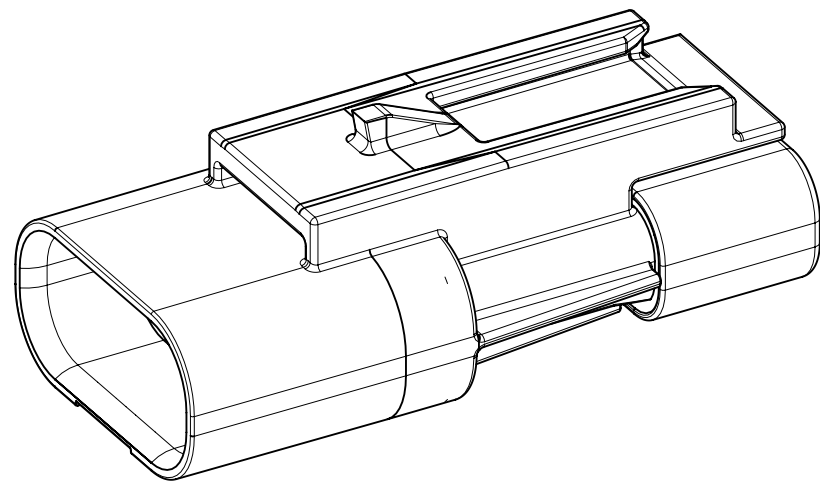
CIRCUIT SIZE	DIM A
2	11.7
4	15.3
6	18.9
8	22.5
10	26.1



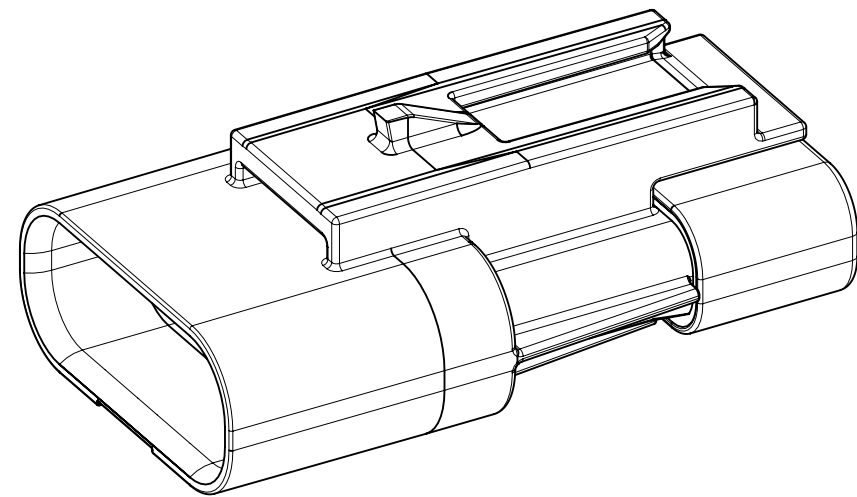
2 CIRCUIT



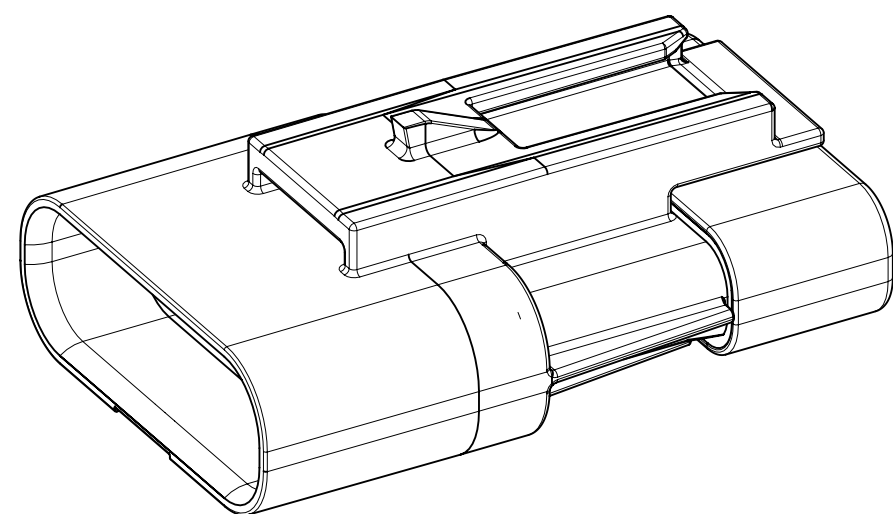
4 CIRCUIT



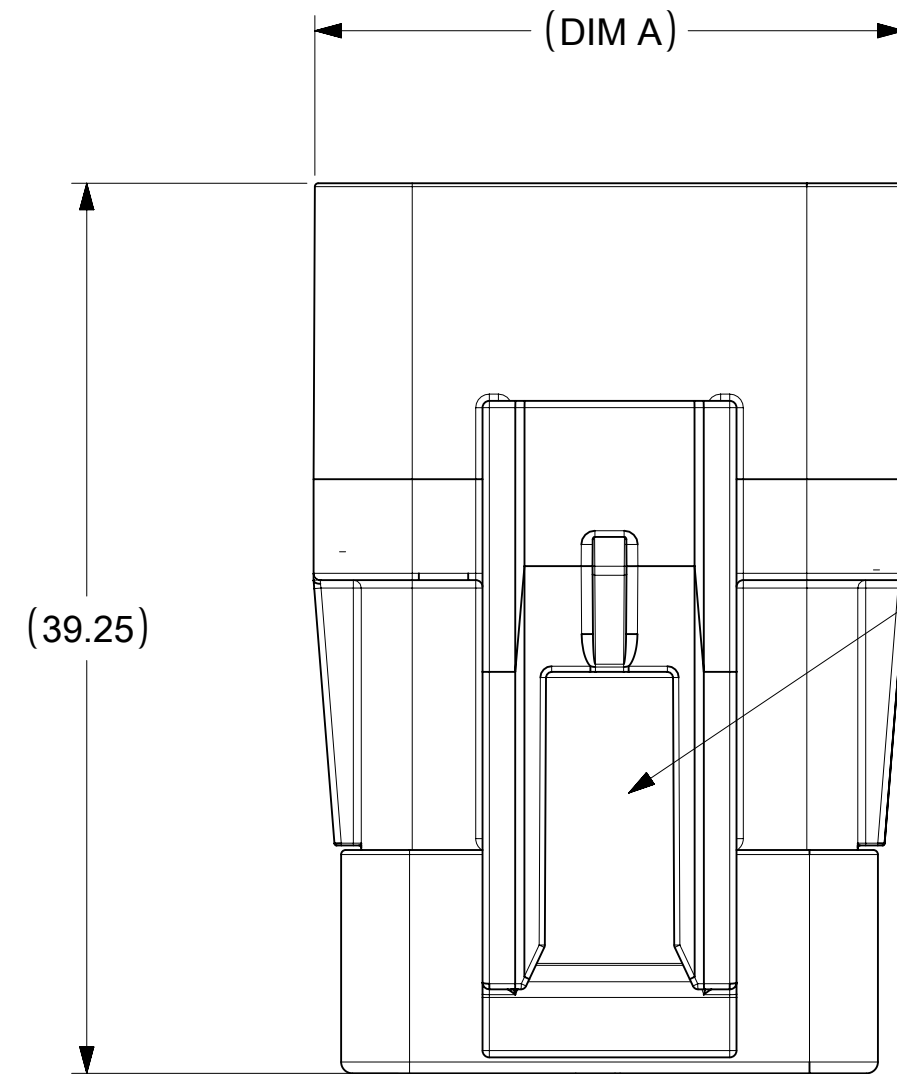
6 CIRCUIT



8 CIRCUIT

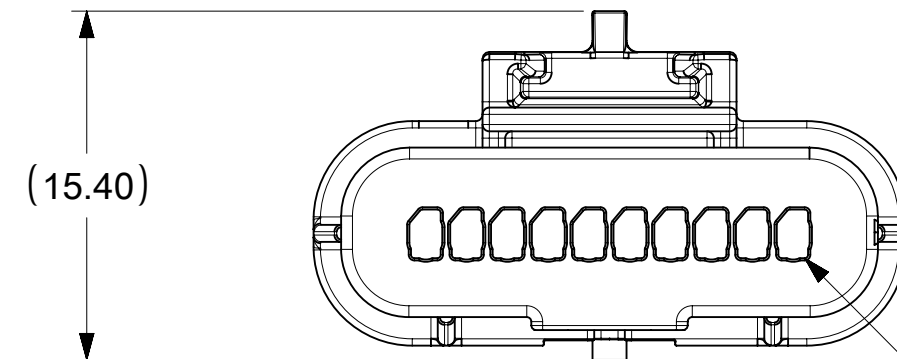


10 CIRCUIT

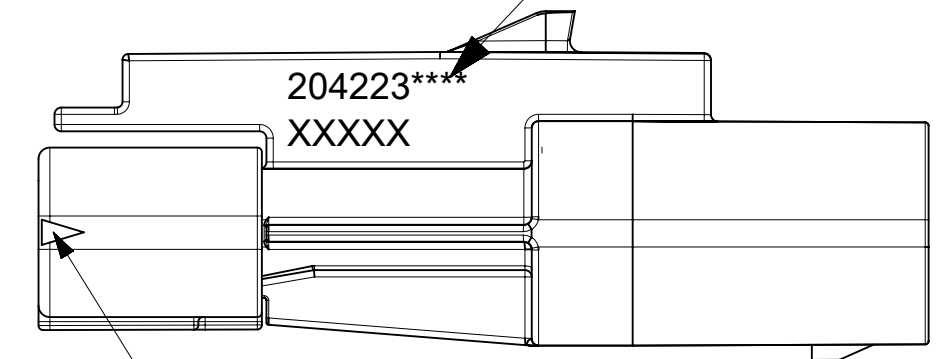


EWCAP-005 7MM CLIP SLOT

LASER MARKED THIS SURFACE WITH
MOLEX PART NUMBER AND
JULIAN DATE CODE: DDDYY



CKT 1



CKT 1 ID

FUNCTIONAL SYMBOLS $\nabla_A = 0$ $\nabla_C = 0$ $\nabla_P = 0$ DIVISIONAL SYMBOLS	THIS DRAWING CONTAINS INFORMATION THAT IS PROPRIETARY TO MOLEX ELECTRONIC TECHNOLOGIES, LLC AND SHOULD NOT BE USED WITHOUT WRITTEN PERMISSION		CURRENT REV DESC:							
	FUNCTIONAL DIMENSION UNITS mm	SCALE 3:1	EC NO: 724638 DRWN: VENKAS5 CHK'D: VENKAS5 APPR: MRAMAKRISHNA						2022/10/13 2022/10/13 2022/10/19	
	GENERAL TOLERANCES (UNLESS SPECIFIED) ANGULAR TOL ± °		INITIAL REVISION: DRWN: TGREGORI APPR: RHODGE		2017/05/03 2018/01/26	PRODUCT CUSTOMER DRAWING DOCUMENT NUMBER 2042230000-SD		DOC TYPE PSD	DOC PART 000	REVISION B1
	4 PLACES ± 3 PLACES ± 2 PLACES ± 1 PLACE ± 0.2 0 PLACES ±		DRAFT WHERE APPLICABLE MUST REMAIN WITHIN DIMENSIONS		THIRD ANGLE PROJECTION 	DRAWING C-SIZE	SERIES 204223	MATERIAL NUMBER SEE TABLE	CUSTOMER GENERAL MARKET	SHEET NUMBER 3 OF 3

DOCUMENT STATUS	P1	RELEASE DATE	2022/10/19	08:39:04
-----------------	----	--------------	------------	----------