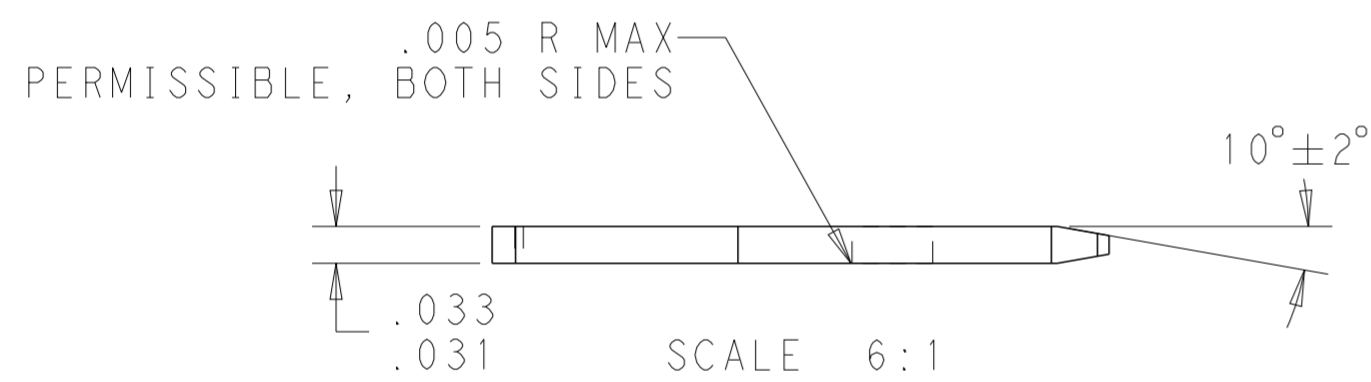
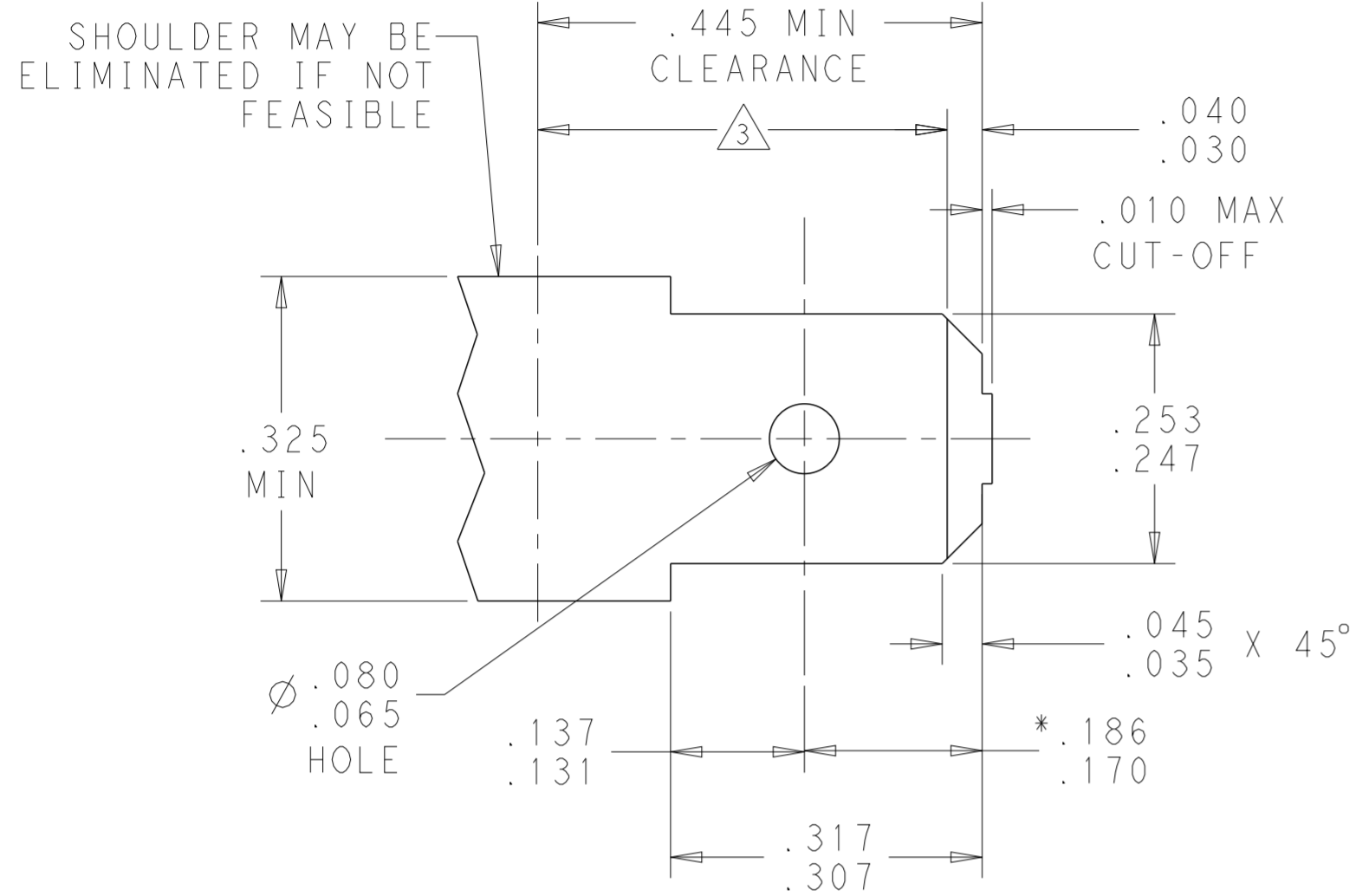
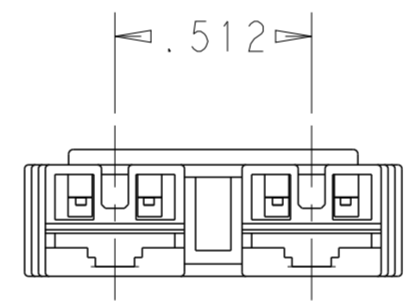
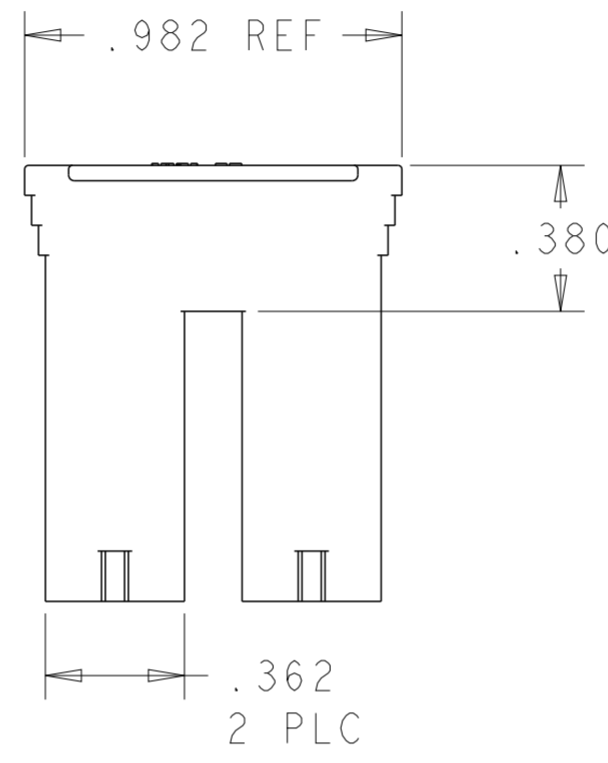
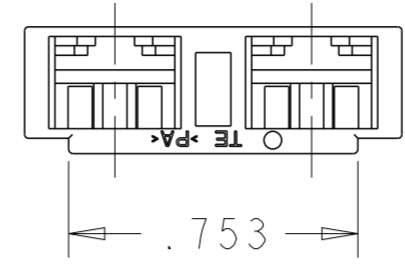
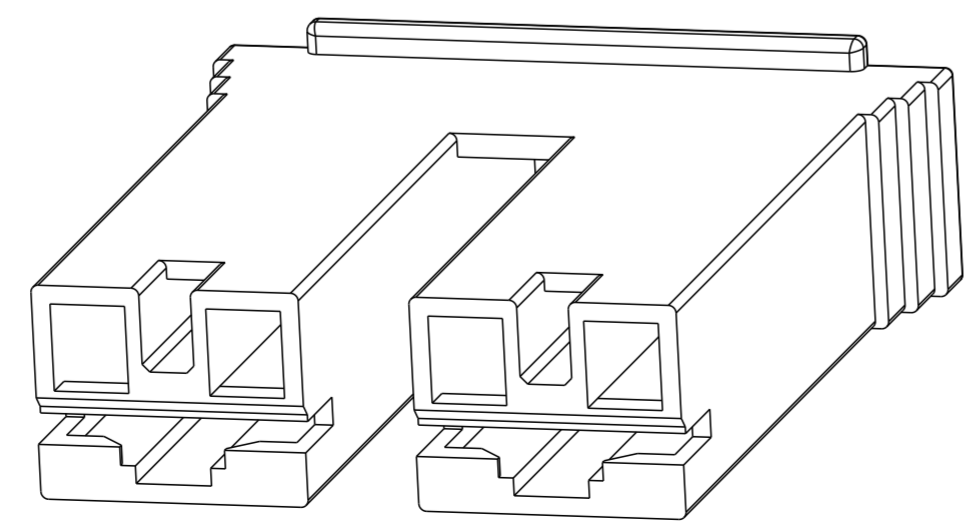


LOC		DIST		REVISIONS			
P	LTR	DESCRIPTION	DATE	DWN	APVD		
	A7	REVISED PER ECR-18-006473	18SEP2018	BDA	DS		
	A8	REVISED PER ECR-20-005966	01OCT2020	SS	EW		
	A9	REVISED PER ECR-20-101046	09DEC2020	MK	EW		

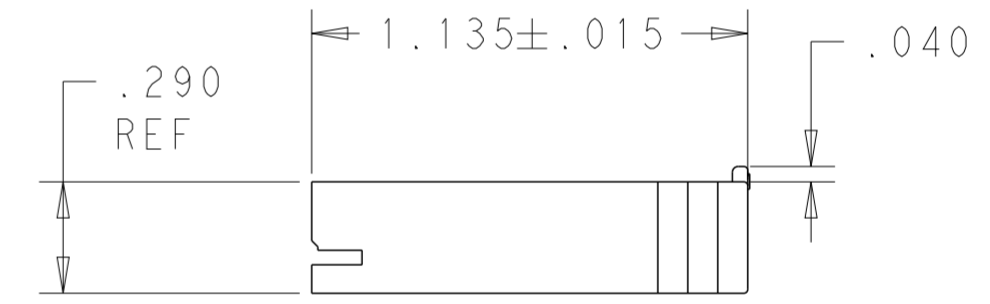
SUGGESTED MATING TAB



- 1 MATL: 1/2H BRASS OR NICKEL PL STEEL
- 2 NO BURRS PERMISSBLE AT HOLE
- △ MUST BE FLAT WITHIN .003 OVER THIS LENGTH
- 4 TIN PLATING IS REQUIRED ON BRASS WHEN TERMINAL TEMP IS OVER 225° F.
- 5 HOLE MUST BE SYMMETRICAL ABOUT TAB CENTERLINE WITHIN .003
- * TO BE USED ONLY WHEN SHOULDER IS ELIMINATED.



1 FOR USE WITH MKII POSITIVE LOCK, LOW INSERTION FORCE FASTON RECEPTACLES AND MOST BUDGET FASTON RECEPTACLES.



	NATURAL	PA 66	3-1969453-1
	BLACK	PA 66/6	1969453-8
	YELLOW	PA 66/6	1969453-6
OBSOLETE	BLUE	66 NYLON	1969453-5
	RED	PA 66/6	1-1969453-2
SUPERSEDED BY 3-1969453-1	NATURAL	66 NYLON V0	1-1969453-1
	NATURAL (WHITE)	PA 66/6	1969453-1
	COLOR	MATERIAL	PART NO.

THIS DRAWING IS A CONTROLLED DOCUMENT.

DWN: JR RUTH 04AUG11
 CHK: KURT RANDOLPH 04AUG11
 APVD: KURT RANDOLPH 04AUG11

TE Connectivity

NAME: HOUSING, RECPT, POSITIVE-LOCK AND STANDARD FASTON, .250 SERIES MKII

SIZE: A2 CAGE CODE: 00779 DRAWING NO: C-1969453

RESTRICTED TO: SCALE 8:1 SHEET 1 OF 1 REV A9

PRODUCT SPEC: -
 APPLICATION SPEC: -
 WEIGHT: -
 MATERIAL: SEE TABLE

TOLERANCES UNLESS OTHERWISE SPECIFIED:
 0 PLC ±.
 1 PLC ±.1
 2 PLC ±.02
 3 PLC ±.010
 4 PLC ±.0005
 ANGLES ±.
 FINISH ±.