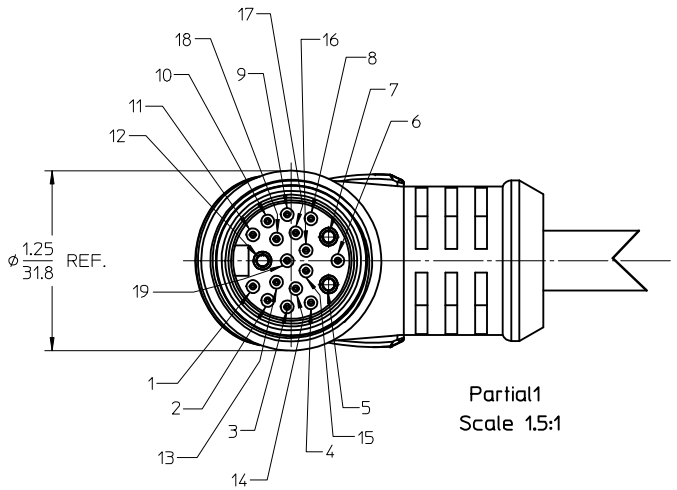
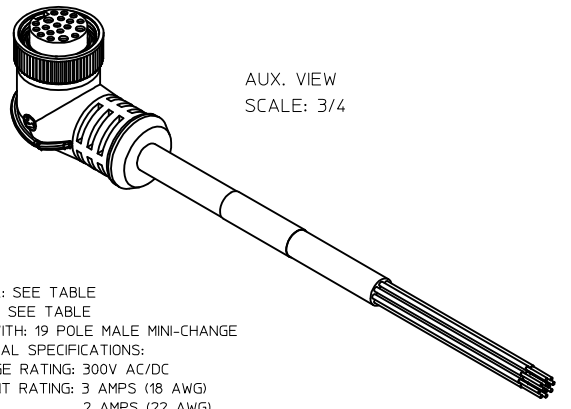


MATERIAL NO.	ENGINEERING NO.	LENGTH
1300080312	303001B20M050	16' 5" +6.50-0 (5M +16.5cm-0)
1300080313	303001B20M100	32' 10" +12.50-0 (10M +31.8cm-0)

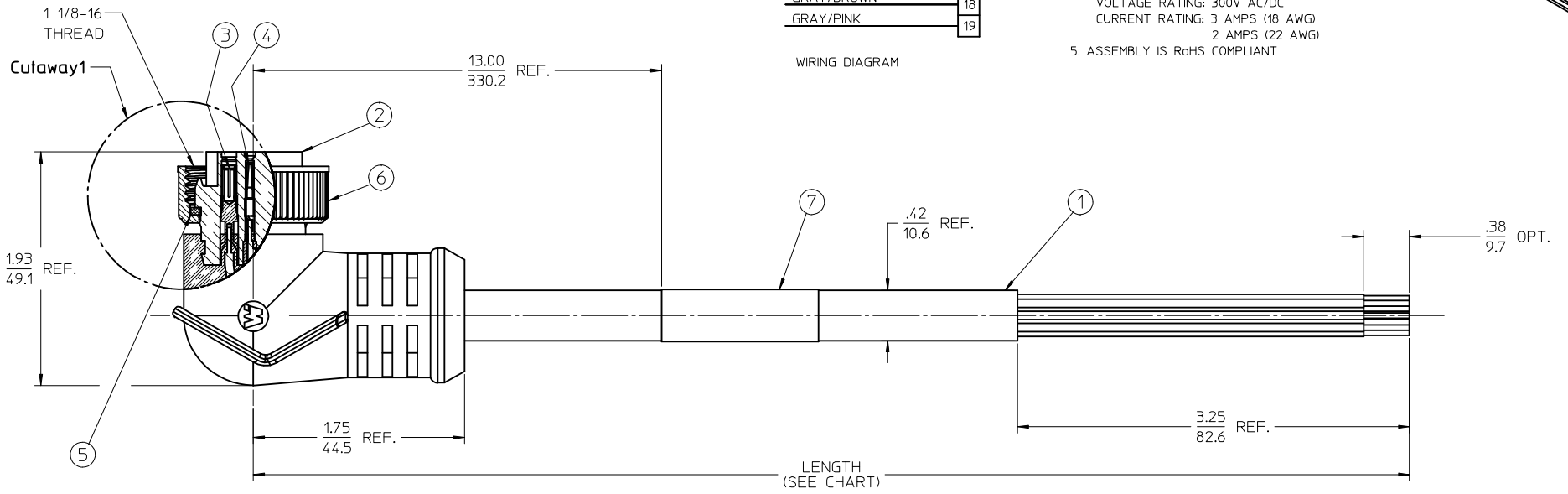


VIOLET	P1
RED	2
GRAY	3
RED/BLUE	4
BLUE (-VE)	5
GREEN	6
BROWN (+VE)	7
WHITE/GREEN	8
WHITE/YELLOW	9
WHITE/GRAY	10
BLACK	11
YELLOW/GREEN (GRD)	12
YELLOW/BROWN	13
BROWN/GREEN	14
WHITE	15
YELLOW	16
PINK	17
GRAY/BROWN	18
GRAY/PINK	19



- NOTES:
1. MATERIAL: SEE TABLE
 2. FINISHES: SEE TABLE
 3. MATES WITH: 19 POLE MALE MINI-CHANGE
 4. ELECTRICAL SPECIFICATIONS:
VOLTAGE RATING: 300V AC/DC
CURRENT RATING: 3 AMPS (18 AWG)
2 AMPS (22 AWG)
 5. ASSEMBLY IS RoHS COMPLIANT

WIRING DIAGRAM



7	1	OVERMOLD	PVC	YELLOW
6	1	COUPLING NUT, C-SIZE	DIE CAST ZINC	BLACK
5	1	FRICITION RING, C-SIZE	NYLON	WHITE
4	16	FEMALE CONTACT	Cu ALLOY	GOLD PLATED
3	3	FEMALE CONTACT/SLEEVE ASSY	BRASS/SS	GOLD PLATED
2	2	INSERT, FEMALE, 19 POLE	PVC	YELLOW
1	1	CABLE, 3 X 0.75mm ² (18 AWG) + 16 X 0.34mm ² (22 AWG)	PUR OUTER JACKET	BLACK
ITEM	QTY.	DESCRIPTION	MATERIAL	FINISH

RELEASED
EC NO: MNAZ010-0046
DRWINRSTONE 2009/07/21
CHKD:
APPR: J. MURPHY 2009/08/10

QUALITY SYMBOLS
▽=0
▽=0

GENERAL TOLERANCES (UNLESS SPECIFIED)

	mm	INCH
4 PLACES	± .005	± .0004
3 PLACES	± .003	± .0002
2 PLACES	± .002	± .0001
1 PLACE	± 0.3	± .012

ANGULAR ±1/2°

DRAFT WHERE APPLICABLE
MUST REMAIN
WITHIN DIMENSIONS

DIMENSION STYLE
IN/MM

SCALE
1.5:1

DESIGN UNITS
INCH

THIRD ANGLE PROJECTION

DRAWN BY R. STONE DATE 2009/07/20

CHECKED BY B. WOODMAN DATE 2009/07/22

APPROVED BY J. MURPHY DATE 2009/07/25

MATERIAL NO. SEE CHART

SIZE C

MOLEX INCORPORATED

MOLEX INCORPORATED

SD-130008-008

1 OF 1

THIS DRAWING CONTAINS INFORMATION THAT IS PROPRIETARY TO MOLEX INCORPORATED AND SHOULD NOT BE USED WITHOUT WRITTEN PERMISSION