

**TECHNICAL SPECIFICATIONS:**

**MATERIAL :**

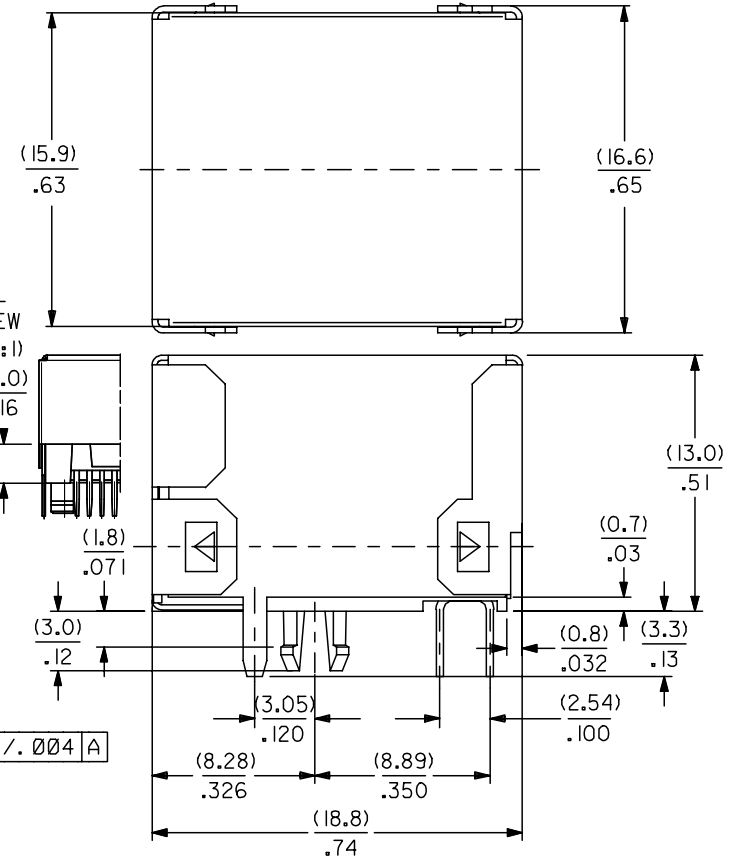
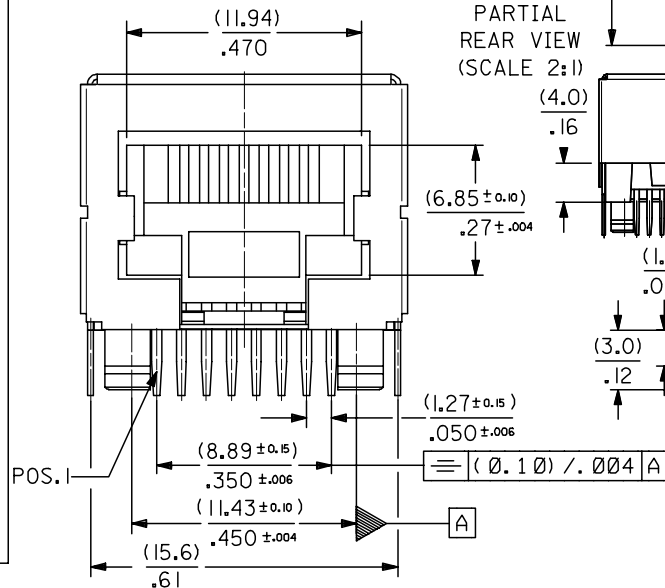
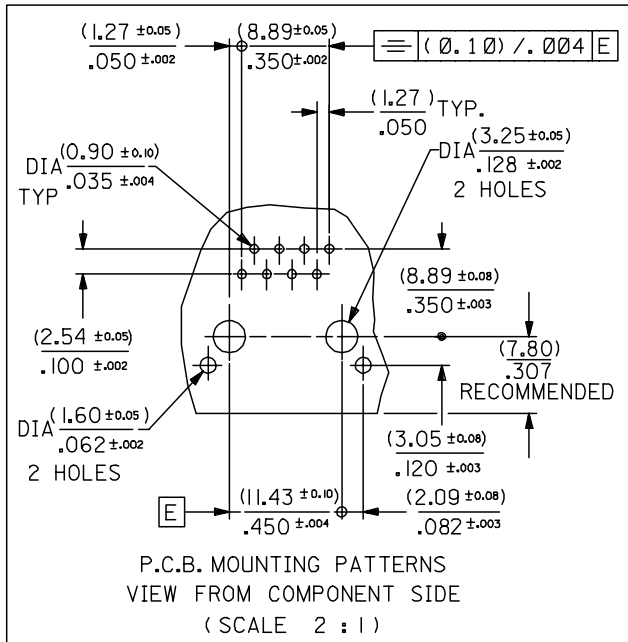
HOUSING TYPE 1: POLYESTER GLASS FILLED UL 94V0  
COLOR BLACK

HOUSING TYPE 2: POLYAMIDE HIGH TEMPERATURE GLASS  
FILLED UL 94V0 COLOR BLACK

TERMINAL : PHOSPHOR BRONZE PLATED WITH :  
(0.00127)/.000050 MIN. GOLD IN CONTACT AREA,  
(0.00190)/.000075 MIN. PURE TIN IN TAIL AREA,  
BOTH OVER (0.00127)/.000050 MIN. NICKEL OVERALL  
SHIELD : BRASS PLATED WITH (0.0020)/.000078 MIN. TIN

**NOTES:**

- 1- JACK FOR MATING WITH SHIELDED PLUG  
MOLEX 95043, 85568 SERIES.
- 2- PRODUCT SPECIFICATION: MOLEX PS-95122-001.
- 3- APPLICATION SPECIFICATION: MOLEX AS-95001.
- 4- PACKAGING SPECIFICATION: MOLEX PK-95122 (SEE CHART)
- 5- P.C. BOARD THICKNESS : (1.57)/.062



ENG. N°	HOUSING SIZE	HOUSING MATERIAL TYPE	LOADED CKTS	PANEL GROUND	TOOLED	PACKAGING SPECIFICATION PK-95122
95122-3881	8	1	8	NO	YES	TRAY (SHEET II)
95122-3883		2				

MODIFIED DIMENSIONS	2006/05/03
EC NO: E2006-1015	2006/05/03
DRWN:DBYRNES	2006/05/03
CHKD:	
APPR:EDMANNY	2006/05/16

QUALITY SYMBOLS	DESCRIPTION
▽=0	
▽=0	

GENERAL TOLERANCES (UNLESS SPECIFIED)	
mm	INCH
4 PLACES ± ---	± ---
3 PLACES ± ---	± .010
2 PLACES ± 0.25	± .014
1 PLACE ± 0.35	± ---
ANGULAR ± 2 °	
DRAFT WHERE APPLICABLE MUST REMAIN WITHIN DIMENSIONS	

DIMENSION STYLE	
MM/IN	
DRAWN BY	DATE
ST	03/06/05
CHECKED BY	DATE
ER	03/06/05
APPROVED BY	DATE
SF	03/06/05
MATERIAL NO.	
SEE CHART	

SCALE	DESIGN UNITS	THIRD ANGLE PROJECTION
4:1	METRIC	
FULLY SHIELDED R/A MODULAR JACK 8 CKTS THROUGH HOLE - VERSION A		
MOLEX INCORPORATED		
DOCUMENT NO.	SHEET NO.	
SD-95122-002	1 OF 1	
THIS DRAWING CONTAINS INFORMATION THAT IS PROPRIETARY TO MOLEX INCORPORATED AND SHOULD NOT BE USED WITHOUT WRITTEN PERMISSION		