

DESIGNED AND DIMENSIONED IN MILLIMETERS[INCHES]  
ALL DIMENSIONS REFERENCE EXCEPT AS SHOWN

DO NOT SCALE FROM THIS PRINT

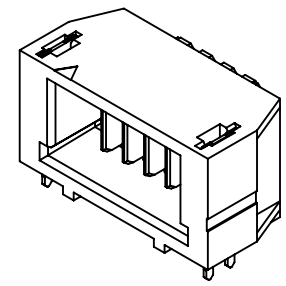
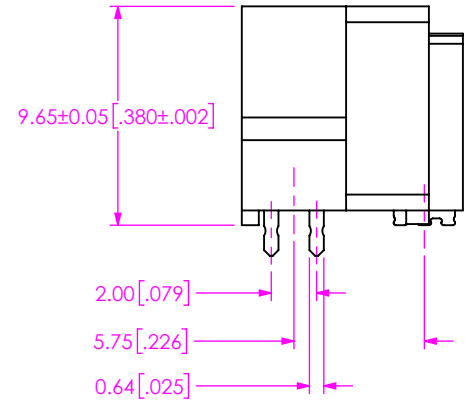
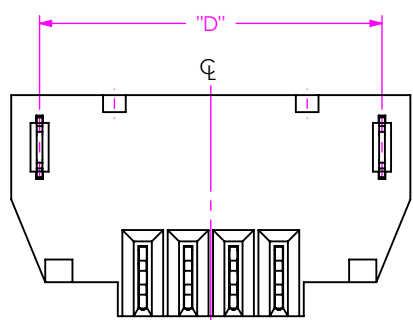
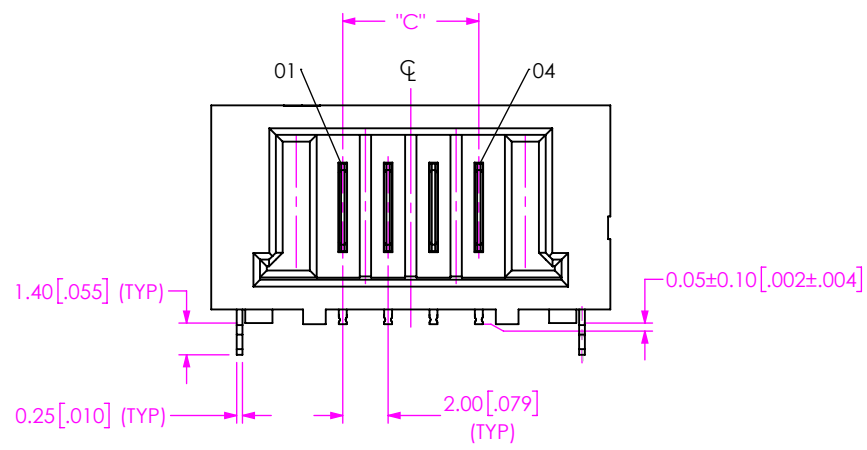
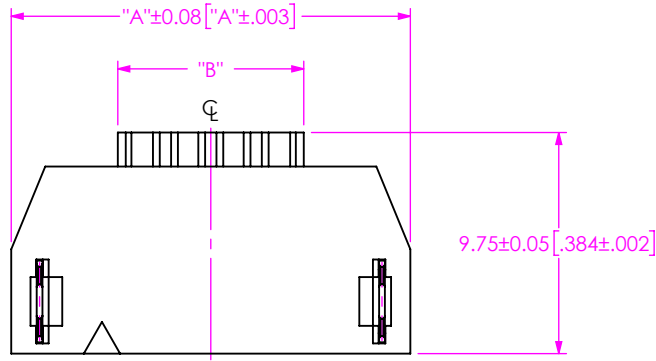


FIG 1  
UMPT-04-01-XXX-RA-WT SHOWN

UMPT-XX-XX-XXX-RA-WX-X-XR

No OF POSITIONS

- 02, -03, -04, -05,
- 06, -07, -08, -09,
- 10

LEAD STYLE

- 01: SURFACE MOUNT

PLATING

- T: MATTE TIN
- L: 10µ" SELECTIVE GOLD IN CONTACT AREA, MATTE TIN ON TAIL.
- S: 30µ" SELECTIVE GOLD IN CONTACT AREA, MATTE TIN ON TAIL.
- \*-LTL: 10µ" SELECTIVE GOLD IN CONTACT AREA, SN/PB ON TAIL.
- \*-STL: 30µ" SELECTIVE GOLD IN CONTACT AREA, SN/PB ON TAIL.

TAPE & REEL (SEE NOTE 3 & 4)

- TR: TAPE & REEL
- FR: FULL REEL QTY TAPE & REEL

LATCH OPTIONS

- (LEAVE BLANK FOR NO LATCH)
- P: PLASTIC TOP LATCH
- M: METAL SIDE LATCHES

WELD TAB OPTIONS

- WT: WELD TAB THROUGH HOLE
- \*-WS: WELD TAB SURFACE MOUNT

ORIENTATION

- RA: RIGHT ANGLE

(\* = NOT TOOLED)

TABLE 1				
No. OF POS	"A"	"B"	"C"	"D"
-02	13.60 [.535]	4.20 [.165]	2.00 [.079]	11.10 [.437]
-03	15.60 [.614]	6.20 [.244]	4.00 [.157]	13.10 [.516]
-04	17.60 [.693]	8.20 [.323]	6.00 [.236]	15.10 [.594]
-05	19.60 [.772]	10.20 [.402]	8.00 [.315]	17.10 [.673]
-06	21.60 [.850]	12.20 [.480]	10.00 [.394]	19.10 [.752]
-07	23.60 [.929]	14.20 [.559]	12.00 [.472]	21.10 [.831]
-08	25.60 [1.008]	16.20 [.638]	14.00 [.551]	23.10 [.909]
-09	27.60 [1.087]	18.20 [.717]	16.00 [.630]	25.10 [.988]
-10	29.60 [1.165]	20.20 [.795]	18.00 [.709]	27.10 [1.067]


NOTES:

1. NOTE DELETED.
2. NOTE DELETED.
3. ATTACH LABEL TO EACH REEL.
4. ORDERS WILL BE PACKAGED ACCORDING TO THE SAMTEC PACKAGING EFFICIENCY STANDARDS (SPES) FOUND ON WWW.SAMTEC.COM.

**PROPRIETARY NOTE**  
THIS DOCUMENT CONTAINS CONFIDENTIAL AND PROPRIETARY INFORMATION AND ALL DESIGN, MANUFACTURING, REPRODUCTION, USE, PATENT RIGHTS AND SALES RIGHTS ARE EXPRESSLY RESERVED BY SAMTEC, INC. THIS DOCUMENT SHALL NOT BE DISCLOSED, IN WHOLE OR PART, TO ANY UNAUTHORIZED PERSON OR ENTITY NOR REPRODUCED, TRANSFERRED OR INCORPORATED IN ANY OTHER PROJECT IN ANY MANNER WITHOUT THE EXPRESS WRITTEN CONSENT OF SAMTEC, INC.

DO NOT SCALE DRAWING  
SHEET SCALE: 1:2

MATERIAL:  
INSULATOR: LCP  
TERMINAL: COPPER ALLOY  
WELD TAB: COPPER ALLOY



520 PARK EAST BLVD, NEW ALBANY, IN 47150  
PHONE: 812-944-6733 FAX: 812-948-5047  
e-Mail info@SAMTEC.com code 5332

DESCRIPTION:  
ULTRA MICRO POWER RA TERMINAL

DWG. NO.  
UMPT-XX-XX-XXX-RA-WX-X-XR

BY: ETHAN C 06/12/2019 SHEET 1 OF 2

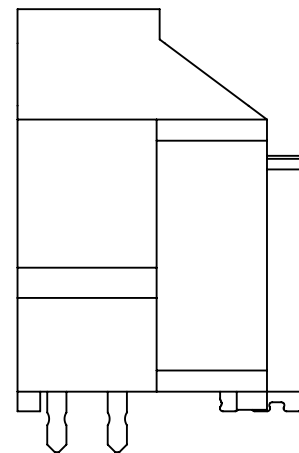
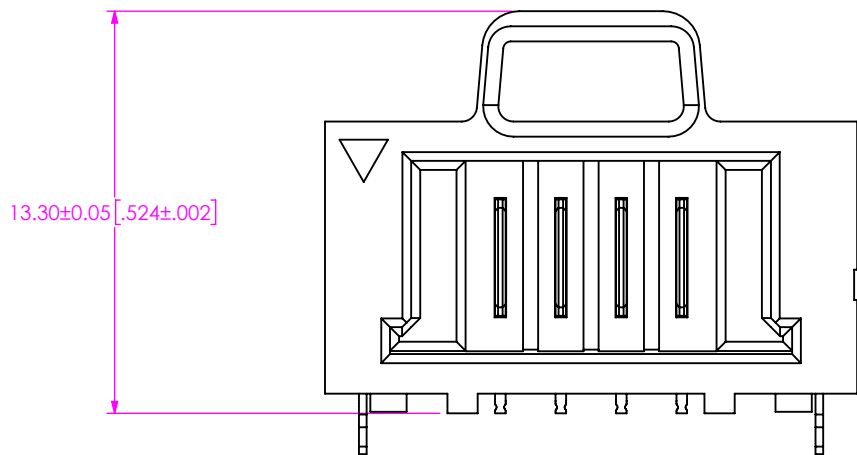


FIG 2  
UMPT-04-01-XXX-RA-WT-P SHOWN  
(DIFFERENT AS SHOWN, OTHERWISE SAME AS FIG 1)

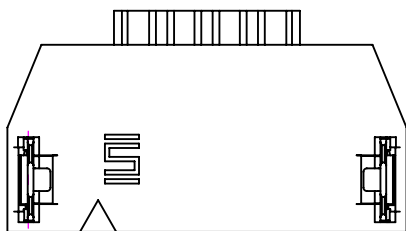


FIG 3  
UMPT-04-01-XXX-RA-WT-M SHOWN  
(DIFFERENT AS SHOWN, OTHERWISE SAME AS FIG 1)

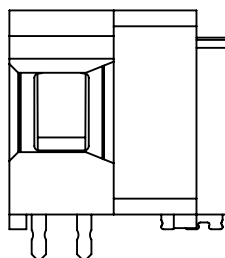
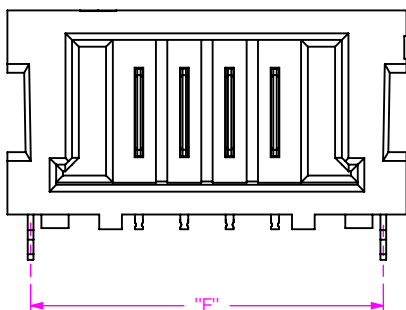


TABLE 2	
No. OF POS	"E"
-02	11.55 [.455]
-03	13.55 [.533]
-04	15.55 [.612]
-05	17.55 [.691]
-06	19.55 [.770]
-07	21.55 [.848]
-08	23.55 [.927]
-09	25.55 [1.006]
-10	27.55 [1.085]

**PROPRIETARY NOTE**  
 THIS DOCUMENT CONTAINS CONFIDENTIAL AND PROPRIETARY INFORMATION AND ALL DESIGN, MANUFACTURING, REPRODUCTION, USE, PATENT RIGHTS AND SALES RIGHTS ARE EXPRESSLY RESERVED BY SAMTEC, INC. THIS DOCUMENT SHALL NOT BE DISCLOSED, IN WHOLE OR PART, TO ANY UNAUTHORIZED PERSON OR ENTITY NOR REPRODUCED, TRANSFERRED OR INCORPORATED IN ANY OTHER PROJECT IN ANY MANNER WITHOUT THE EXPRESS WRITTEN CONSENT OF SAMTEC, INC.

DO NOT SCALE DRAWING  
 SHEET SCALE: 2:1

MATERIAL:  
 INSULATOR: LCP  
 TERMINAL: COPPER ALLOY  
 WELD TAB: COPPER ALLOY



520 PARK EAST BLVD, NEW ALBANY, IN 47150  
 PHONE: 812-944-6733 FAX: 812-948-5047  
 e-Mail info@SAMTEC.com code 55322

DESCRIPTION:  
 ULTRA MICRO POWER RA TERMINAL

DWG. NO.  
**UMPT-XX-XX-XXX-RA-WX-X-XR**

BY: ETHAN C 06/12/2019 SHEET 2 OF 2