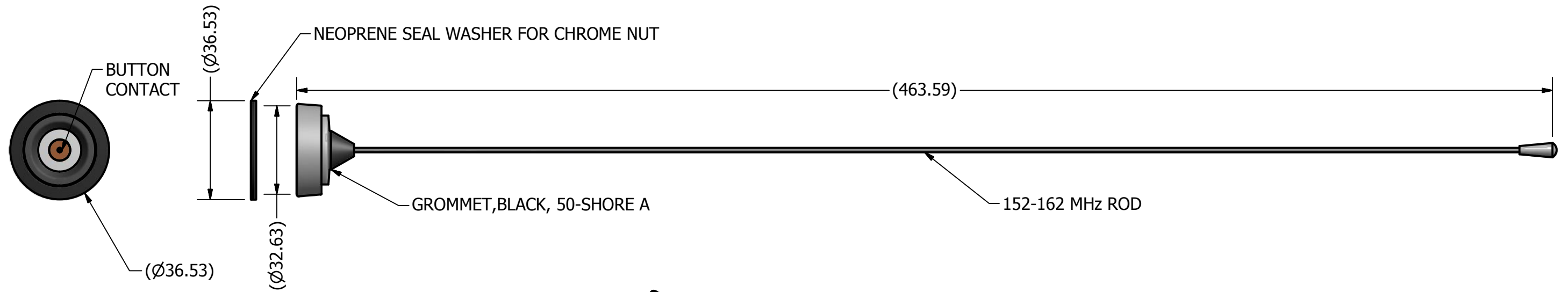

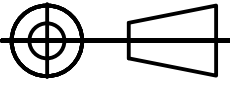


REVISION HISTORY			
REV	DESCRIPTION	DATE	APPROVED
1	152-162 CHROME NUT ANTENNA	09/06/2016	CE

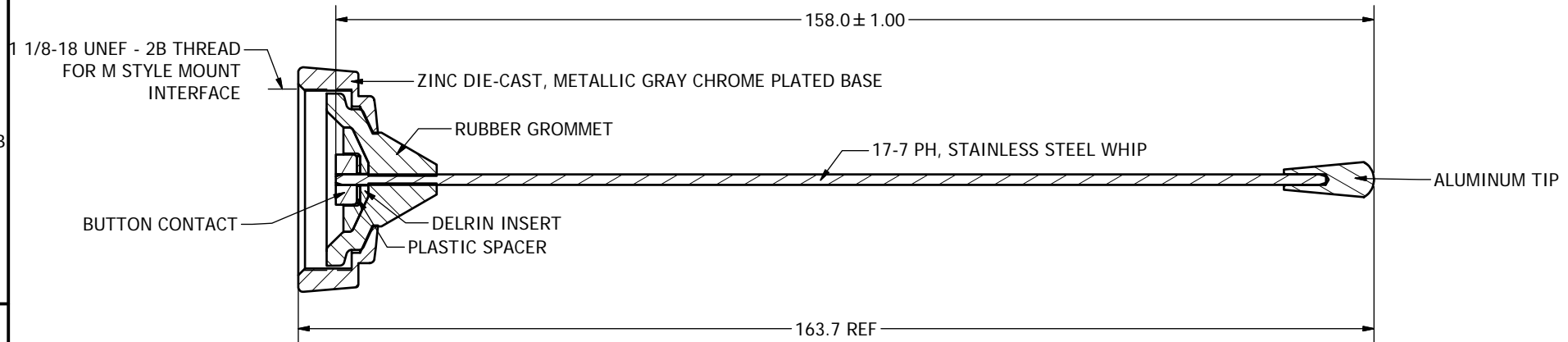
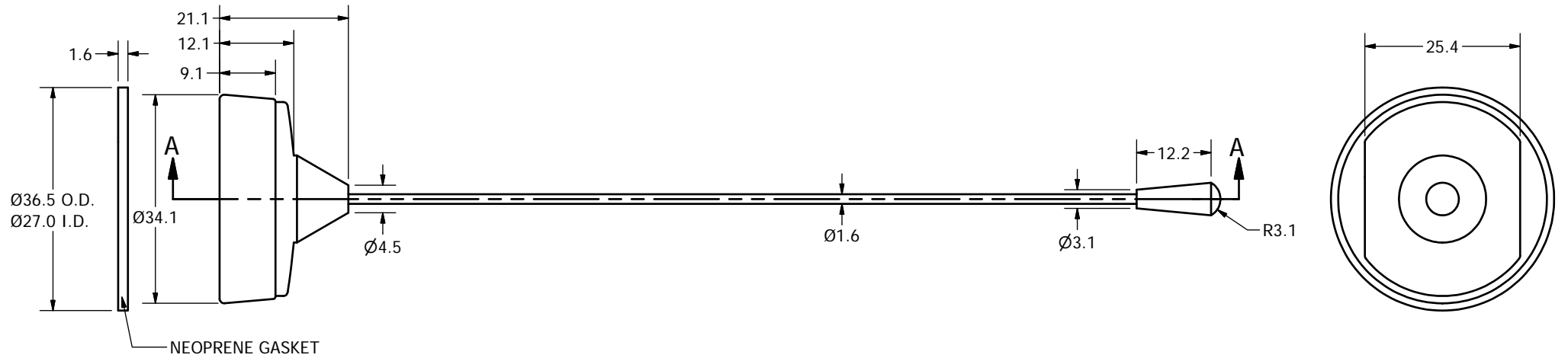


NOTES: UNLESS OTHERWISE SPECIFIED



1. A (REF) DIMENSION IS FOR INFORMATION PURPOSES ONLY AND NO TOLERANCE IS IMPLIED.

SUPPLIER PRINT ACCEPTANCE: <input type="checkbox"/> Accept drawing/specification: No changes needed: <input type="checkbox"/> This part is RoHS compliant <input type="checkbox"/> This part is REACH compliant <input type="checkbox"/> Accept drawing/specification. Notes/Mark-ups added <input type="checkbox"/> Cannot accept drawing/spec. Notes/Mark-ups added Supplier Projected Outgoing Quality: SIGMA LEVEL : _____ or PPM: _____ Signature _____ Date: _____	UNLESS OTHERWISE SPECIFIED DIMENSIONS ARE IN MILLIMETERS FOR TOLERANCES NOT SPECIFIED USE: [X mm ± 3 mm] [X.X mm ± .3 mm] [X.XX mm ± .13 mm] ANGULAR ± 1°	DRAWN: CE DATE: 9/6/2016 CHECKED: IP DATE: 9/6/2016 MATERIAL: FINISH:	 PCTEL, INC. 471 BRIGHTON DRIVE BLOOMINGDALE, IL 60108 PH. 630-372-6800 FAX. 630-372-8077
	THIRD ANGLE PROJECTION 	PCTEL PROPRIETARY DATA THE INFORMATION AND/OR DRAWINGS CONTAINED IN THIS DOCUMENT IS CONFIDENTIAL AND PROPRIETARY TO PCTEL, INC. AND MAY NOT BE USED, REPRODUCED, IN WHOLE OR IN PART, OR MODIFIED IN ANY WAY WITHOUT THE EXPRESS WRITTEN PERMISSION OF AN AUTHORIZED REPRESENTATIVE OF PCTEL, INC.	

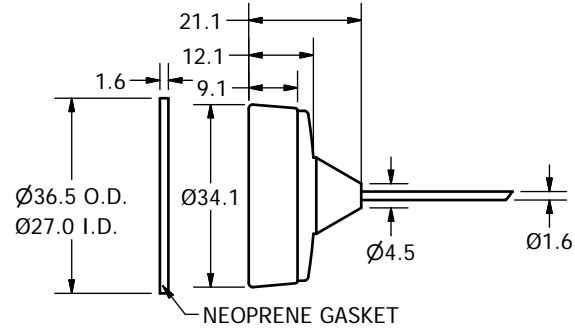
REVISION HISTORY			
REV	DESCRIPTION	DATE	APPROVED
A	OUTLINE RELEASE	12/16/2009	VH



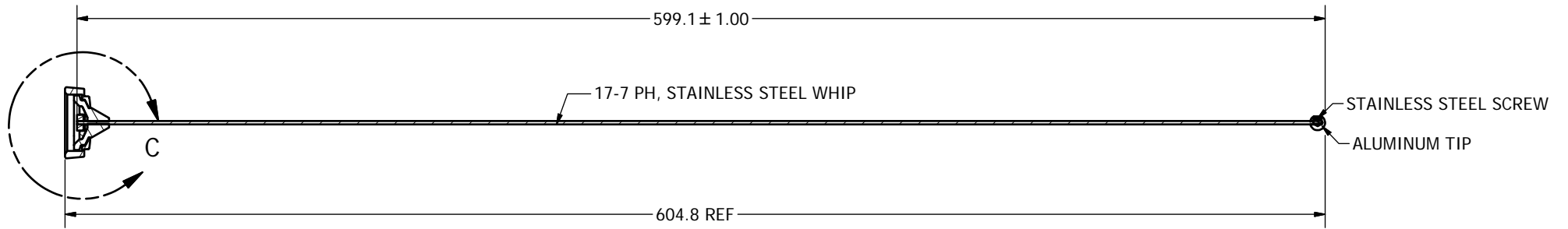
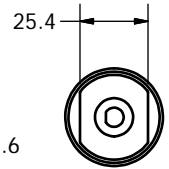
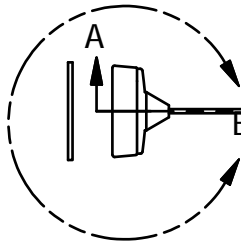
SECTION A-A

UNLESS OTHERWISE SPECIFIED DIMENSIONS ARE IN MILLIMETERS FOR TOLERANCES NOT SPECIFIED USE: [X mm ± .2 mm], [X.X mm ± .1 mm], [X.XX mm ± .05 mm] ANGULAR ± 2°	DRAWN VH	DATE 12/16/2009	 PCTEL, INC. BROADBAND TECHNOLOGY GROUP 471 BRIGHTON DRIVE BLOOMINGDALE, IL 60108 PH. 630-372-6800 FAX. 630-372-8077
	CHECKED	DATE	
	APPROVED	DATE	
	MATERIAL:		
THIRD ANGLE PROJECTION 	FINISH:	DESCRIPTION OUTLINE DIMENSIONAL DRAWING, KIT, ANTENNA, 430-470 MHz	
PROPRIETARY DATA THE INFORMATION CONTAINED IN THIS DOCUMENT IS OF A PROPRIETARY NATURE. IT MAY NOT BE USED OR REPRODUCED WITHOUT EXPRESS WRITTEN PERMISSION OF PCTEL INC., BLOOMINGDALE, IL 60108		DRAWING NO. ODD_PCTCN4347	
SIZE A3	SCALE 1:1	SHEET 1 OF 1	

REVISION HISTORY			
REV	DESCRIPTION	DATE	APPROVED
A	OUTLINE RELEASE	12/16/2009	VH

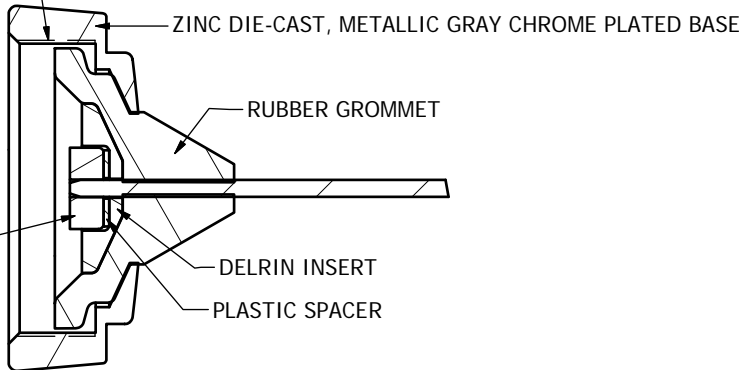


DETAIL B


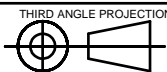


SECTION A-A

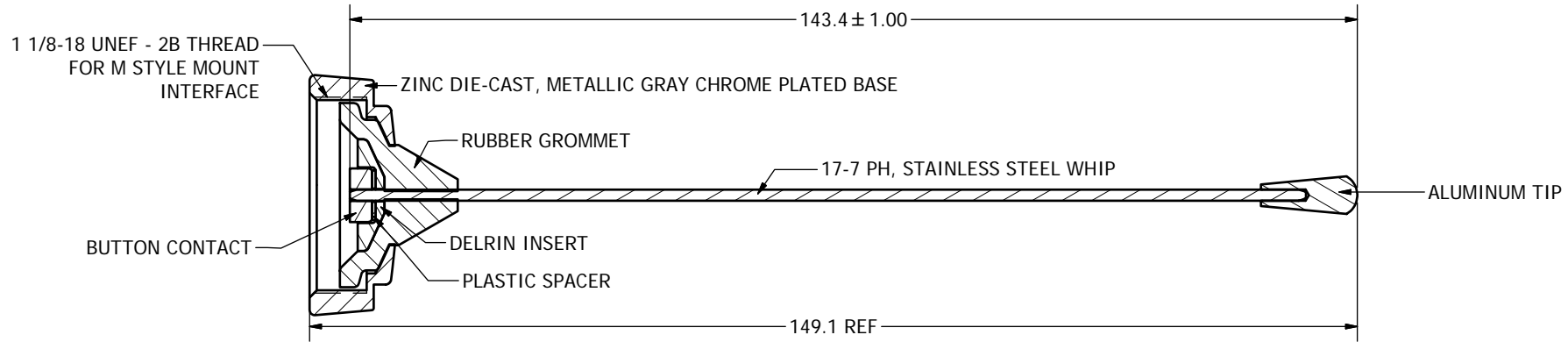
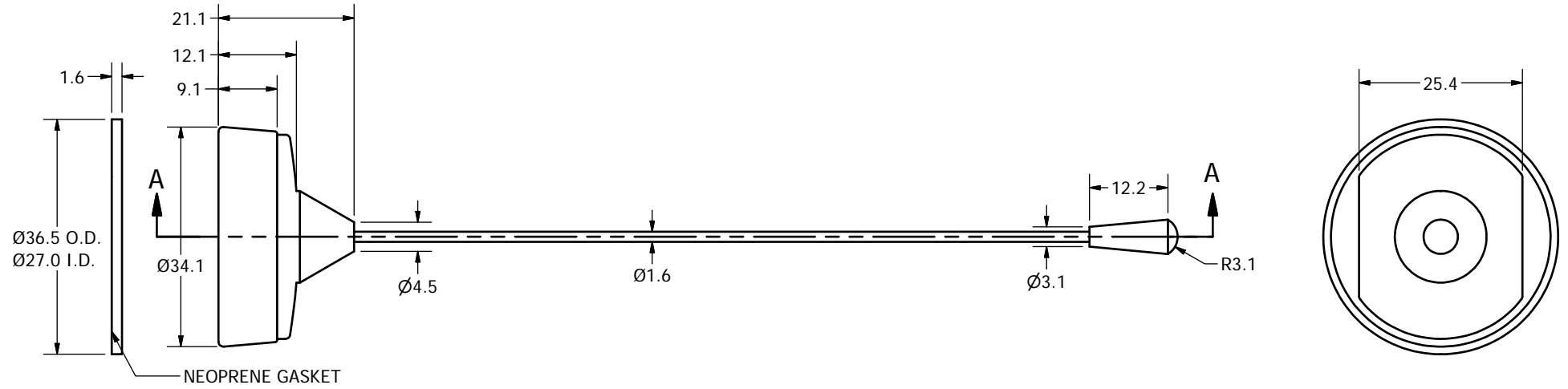
1 1/8-18 UNEF - 2B THREAD
FOR M STYLE MOUNT
INTERFACE




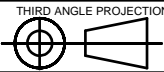
DETAIL C

UNLESS OTHERWISE SPECIFIED DIMENSIONS ARE IN MILLIMETERS	DRAWN	DATE	 PCTEL, INC. BROADBAND TECHNOLOGY GROUP 471 BRIGHTON DRIVE BLOOMINGDALE, IL 60108 PH. 630-372-6800 FAX. 630-372-8077
	VH	12/16/2009	
FOR TOLERANCES NOT SPECIFIED USE: [X mm ± .2 mm], [X.X mm ± .1 mm], [X.XX mm ± .05 mm] ANGULAR ± 2°	CHECKED	DATE	DESCRIPTION OUTLINE DIMENSIONAL DRAWING, KIT, ANTENNA, 118-940MHZ
THIRD ANGLE PROJECTION 	APPROVED	DATE	
PROPRIETARY DATA THE INFORMATION CONTAINED IN THIS DOCUMENT IS OF A PROPRIETARY NATURE. IT MAY NOT BE USED OR REPRODUCED WITHOUT EXPRESS WRITTEN PERMISSION OF PCTEL INC., BLOOMINGDALE, IL 60108	MATERIAL:		DRAWING NO. ODD_PCTCNMFT
	FINISH:		SIZE A3 SCALE 1:1 SHEET 1 OF 1

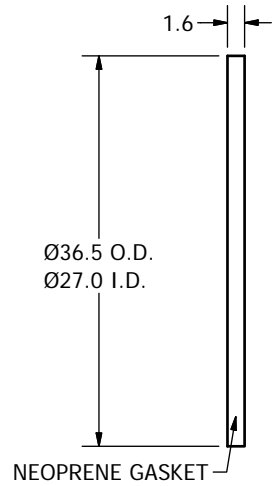
REVISION HISTORY			
REV	DESCRIPTION	DATE	APPROVED
A	OUTLINE RELEASE	12/16/2009	VH



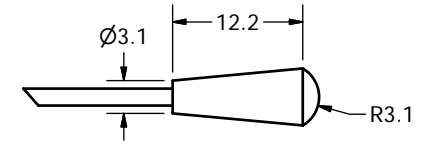
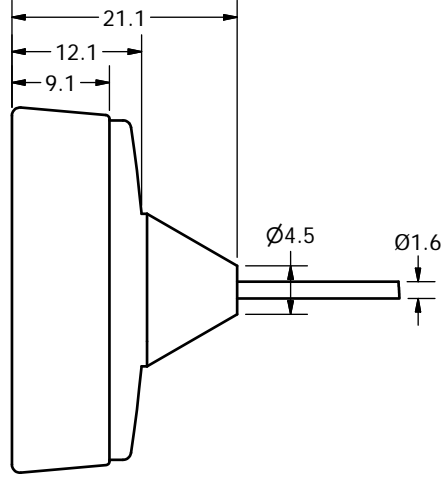
SECTION A-A

UNLESS OTHERWISE SPECIFIED DIMENSIONS ARE IN MILLIMETERS FOR TOLERANCES NOT SPECIFIED USE: [X mm ± .2 mm], [X.X mm ± .1 mm], [X.XX mm ± .05 mm] ANGULAR ± 2°	DRAWN VH	DATE 12/16/2009	 PCTEL, INC. BROADBAND TECHNOLOGY GROUP 471 BRIGHTON DRIVE BLOOMINGDALE, IL 60108 PH. 630-372-6800 FAX. 630-372-8077
	CHECKED	DATE	
THIRD ANGLE PROJECTION 	APPROVED	DATE	DESCRIPTION OUTLINE DIMENSIONAL DRAWING, KIT, ANTENNA, 470-512 MHz
PROPRIETARY DATA THE INFORMATION CONTAINED IN THIS DOCUMENT IS OF A PROPRIETARY NATURE. IT MAY NOT BE USED OR REPRODUCED WITHOUT EXPRESS WRITTEN PERMISSION OF PCTEL INC., BLOOMINGDALE, IL 60108	MATERIAL:		DRAWING NO. ODD_PCTCN4750
	FINISH:		SIZE A3
			SCALE 1:1
			SHEET 1 OF 1

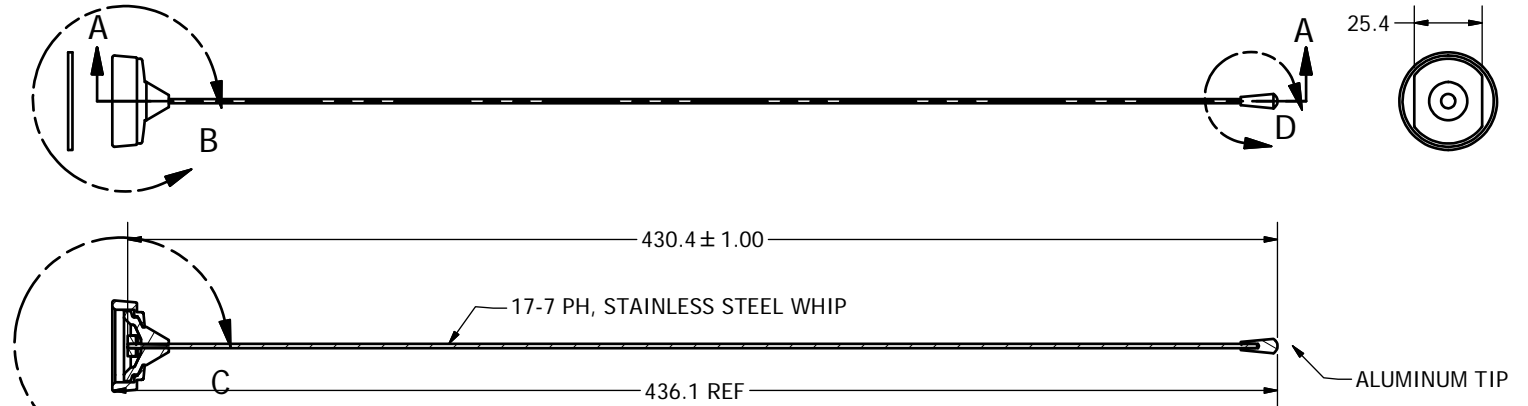
REVISION HISTORY			
REV	DESCRIPTION	DATE	APPROVED
A	OUTLINE RELEASE	12/16/2009	VH



DETAIL B

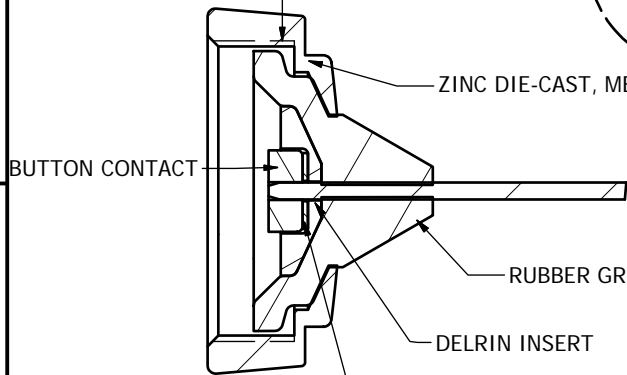


DETAIL D



SECTION A-A

1 1/8 - 18 UNEF - 2B THREAD FOR M STYLE MOUNT INTERFACE



DETAIL C

ZINC DIE-CAST, METALLIC GRAY CHROME PLATED BASE



RUBBER GROMMET

DELRIN INSERT

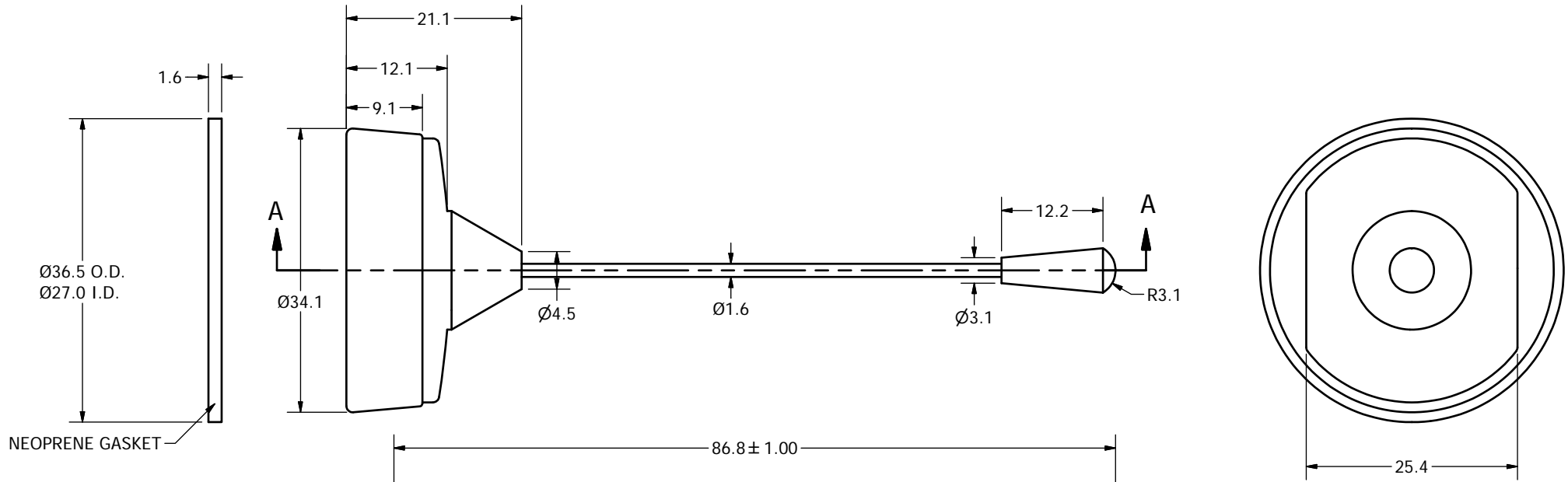
PLASTIC SPACER

17-7 PH, STAINLESS STEEL WHIP

ALUMINUM TIP

UNLESS OTHERWISE SPECIFIED DIMENSIONS ARE IN MILLIMETERS FOR TOLERANCES NOT SPECIFIED USE: [X mm ± .2 mm], [X.X mm ± .1 mm], [X.XX mm ± .05 mm] ANGULAR ± 2°	DRAWN VH	DATE 12/16/2009	 PCTEL, INC. BROADBAND TECHNOLOGY GROUP 471 BRINGTON DRIVE BLOOMINGDALE, IL 60108 PH. 630-372-6800 FAX. 630-372-8077
	CHECKED	DATE	
 THIRD ANGLE PROJECTION PROPRIETARY DATA THE INFORMATION CONTAINED IN THIS DOCUMENT IS OF A PROPRIETARY NATURE. IT MAY NOT BE USED OR REPRODUCED WITHOUT EXPRESS WRITTEN PERMISSION OF PCTEL, INC., BLOOMINGDALE, IL 60108	APPROVED	DATE	DESCRIPTION OUTLINE DIMENSIONAL DRAWING, KIT, ANTENNA, 162-174 MHz
	MATERIAL:	DRAWING NO. ODD_PCTCN1620	
FINISH:	SIZE A3	SCALE 1:1	SHEET 1 OF 1

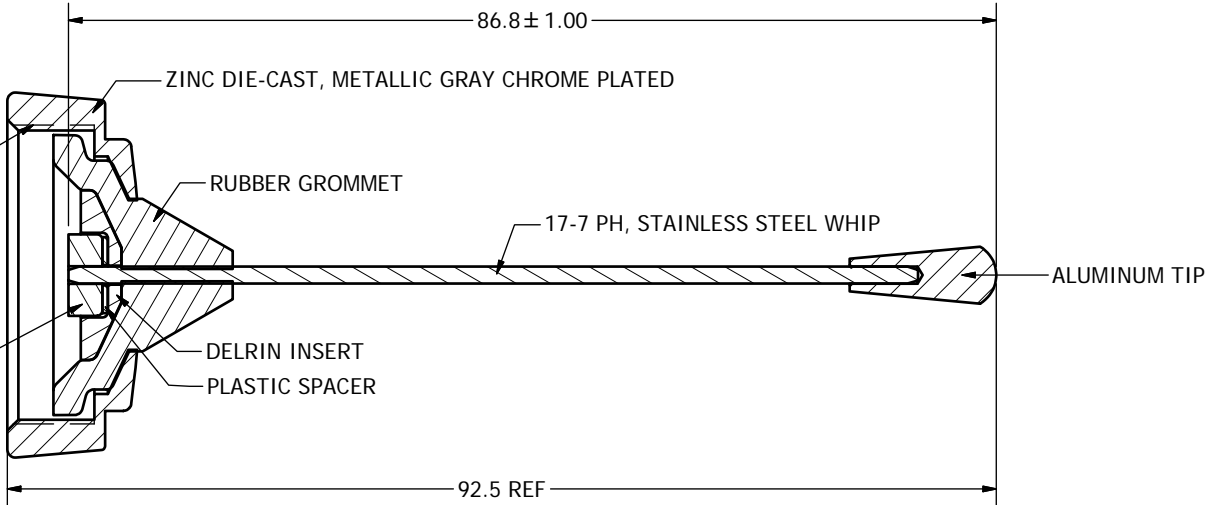
REVISION HISTORY			
REV	DESCRIPTION	DATE	APPROVED
A	OUTLINE RELEASE	12/16/2009	VH




NEOPRENE GASKET

1 1/8-18 UNEF - 2B THREAD
FOR M STYLE MOUNT
INTERFACE

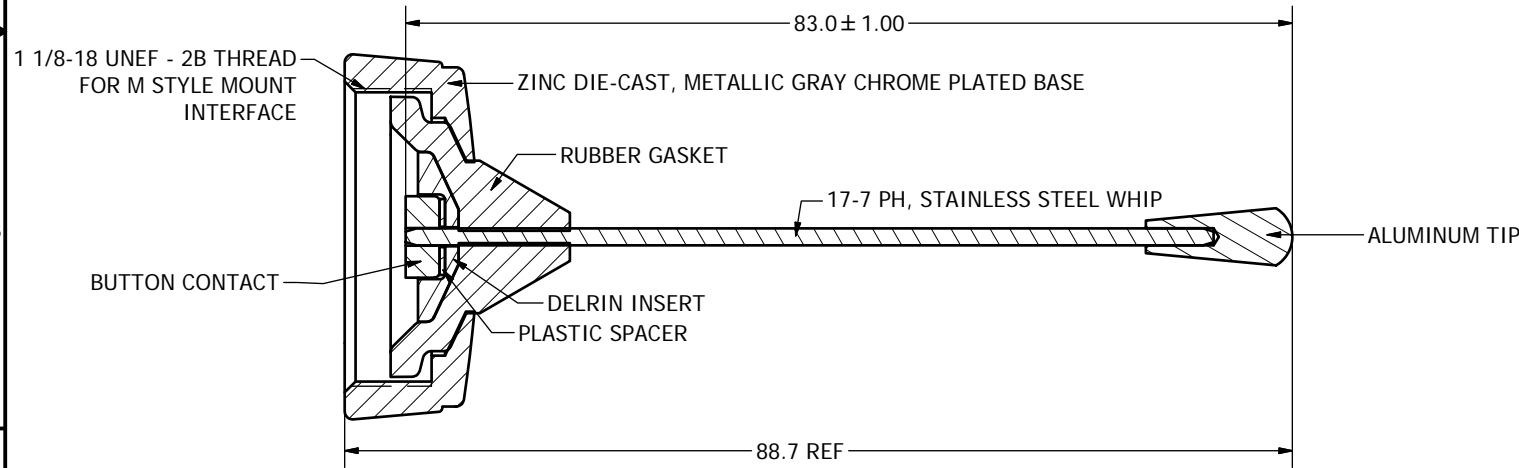
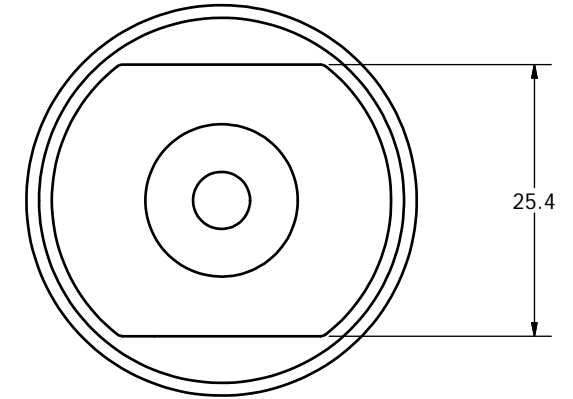
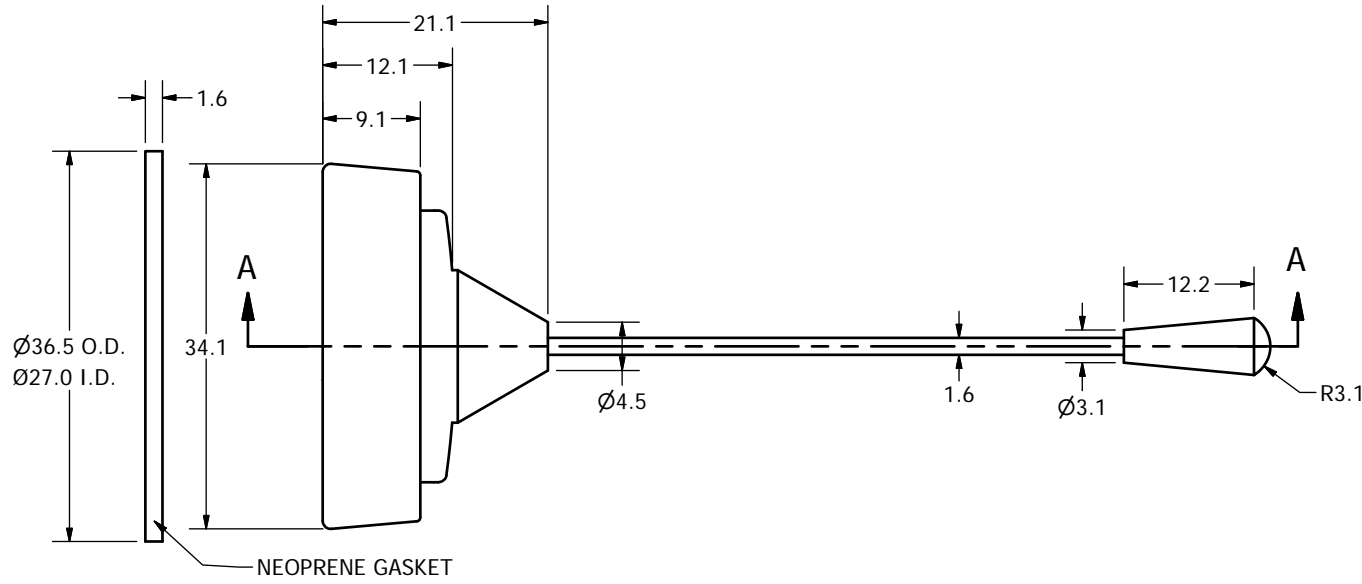
BUTTON CONTACT




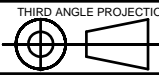
SECTION A-A

UNLESS OTHERWISE SPECIFIED DIMENSIONS ARE IN MILLIMETERS	DRAWN	DATE	 PCTEL, INC. BROADBAND TECHNOLOGY GROUP 471 BRIGHTON DRIVE BLOOMINGDALE, IL 60108 PH. 630-372-6800 FAX. 630-372-8077
	VH	12/16/2009	
FOR TOLERANCES NOT SPECIFIED USE: [X mm ± .2 mm], [X.X mm ± .1 mm], [X.XX mm ± .05 mm] ANGULAR ± 2°	CHECKED	DATE	DESCRIPTION OUTLINE DIMENSIONAL DRAWING, KIT, ANTENNA, 740-870 MHz
THIRD ANGLE PROJECTION	APPROVED	DATE	
PROPRIETARY DATA THE INFORMATION CONTAINED IN THIS DOCUMENT IS OF A PROPRIETARY NATURE. IT MAY NOT BE USED OR REPRODUCED WITHOUT EXPRESS WRITTEN PERMISSION OF PCTEL INC., BLOOMINGDALE, IL 60108	MATERIAL:		DRAWING NO. ODD_PCTCN7080
	FINISH:		SIZE A3
			SCALE 1:1
			SHEET 1 OF 1

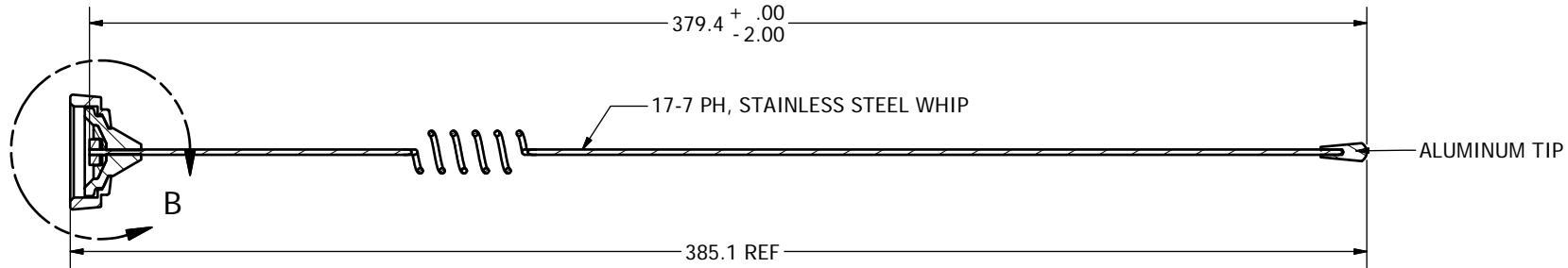
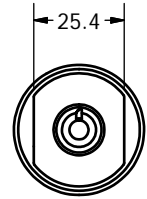
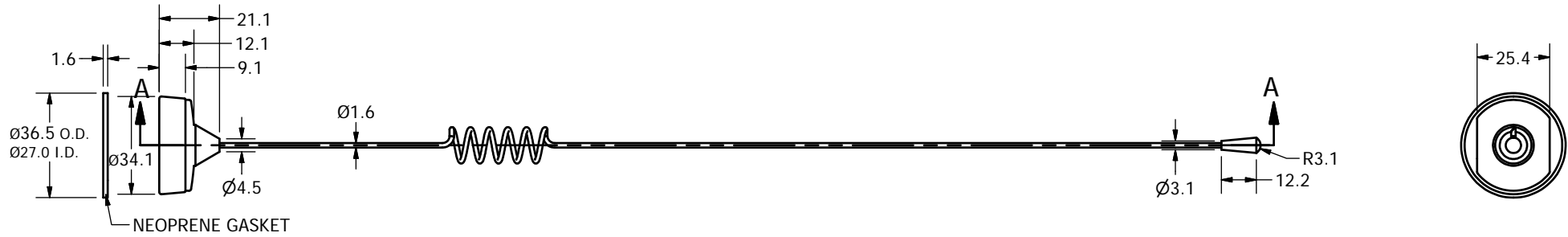
REVISION HISTORY			
REV	DESCRIPTION	DATE	APPROVED
A	OUTLINE RELEASE	12/16/2009	VH



SECTION A-A

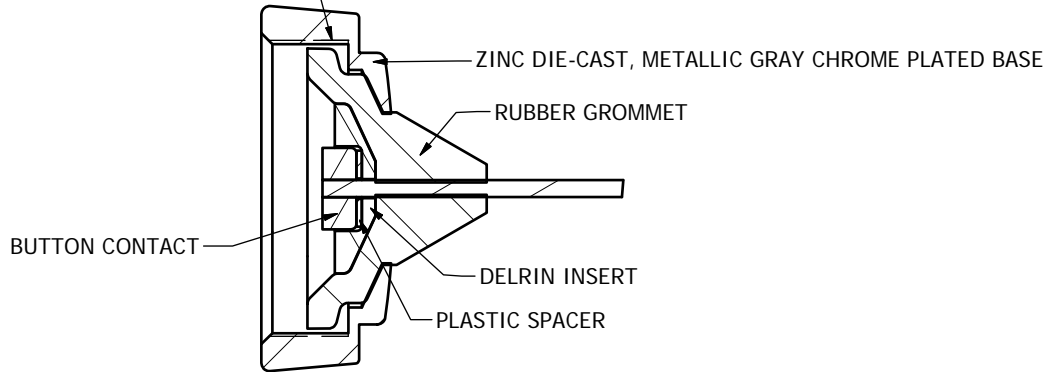
UNLESS OTHERWISE SPECIFIED DIMENSIONS ARE IN MILLIMETERS FOR TOLERANCES NOT SPECIFIED USE: [X mm ± .2 mm], [X.X mm ± .1 mm], [X.XX mm ± .05 mm] ANGULAR ± 2°	DRAWN VH	DATE 12/16/2009	 PCTEL, INC. BROADBAND TECHNOLOGY GROUP 471 BRIGHTON DRIVE BLOOMINGDALE, IL 60108 PH. 630-372-6800 FAX. 630-372-8077
	CHECKED	DATE	
 THIRD ANGLE PROJECTION PROPRIETARY DATA THE INFORMATION CONTAINED IN THIS DOCUMENT IS OF A PROPRIETARY NATURE. IT MAY NOT BE USED OR REPRODUCED WITHOUT EXPRESS WRITTEN PERMISSION OF PCTEL INC., BLOOMINGDALE, IL 60108	APPROVED	DATE	DESCRIPTION OUTLINE DIMENSIONAL DRAWING, KIT, ANTENNA, 806-960 MHz
	MATERIAL:	DRAWING NO. ODD_PCTCN8090	
FINISH:	SIZE A3	SCALE 1:1	SHEET 1 OF 1

REVISION HISTORY			
REV	DESCRIPTION	DATE	APPROVED
A	OUTLINE RELEASE	12/16/2009	VH


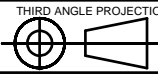


SECTION A-A

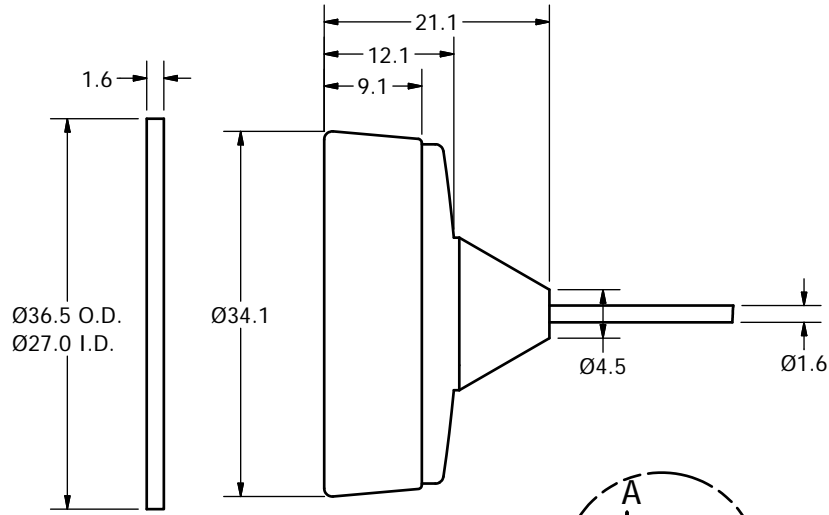
1 1/8-18 UNEF - 2B THREAD
FOR M STYLE MOUNT
INTERFACE



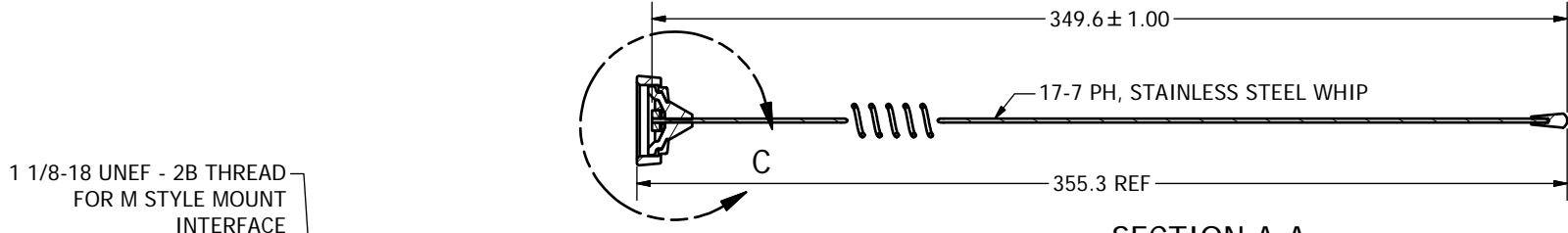
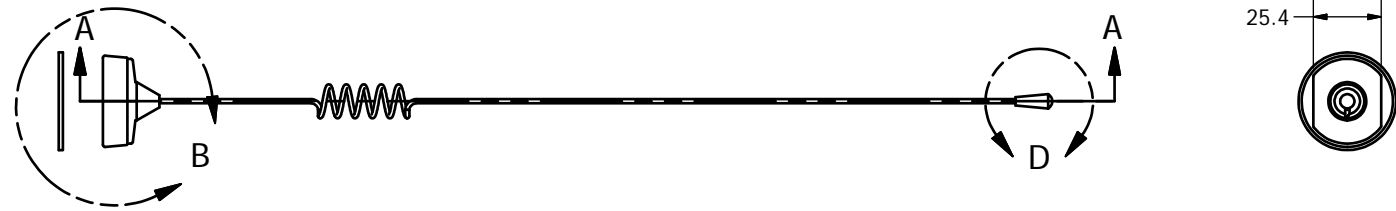
DETAIL B

UNLESS OTHERWISE SPECIFIED DIMENSIONS ARE IN MILLIMETERS		DRAWN VH	DATE 12/16/2009	 <p>PCTEL, INC. BROADBAND TECHNOLOGY GROUP 471 BRINGTON DRIVE BLOOMINGDALE, IL 60108 PH. 630-372-6800 FAX. 630-372-8077</p>
FOR TOLERANCES NOT SPECIFIED USE: [X mm ± .2 mm], [X.X mm ± .1 mm], [X.XX mm ± .05 mm] ANGULAR ± 2°		CHECKED	DATE	
THIRD ANGLE PROJECTION		APPROVED	DATE	DESCRIPTION OUTLINE DIMENSIONAL DRAWING, KIT, ANTENNA, 806-866 MHz
		MATERIAL:		DRAWING NO. ODD_PCTCN8063
PROPRIETARY DATA THE INFORMATION CONTAINED IN THIS DOCUMENT IS OF A PROPRIETARY NATURE. IT MAY NOT BE USED OR REPRODUCED WITHOUT EXPRESS WRITTEN PERMISSION OF PCTEL INC., BLOOMINGDALE, IL 60108		FINISH:		SIZE A3
				SCALE 1:1
				SHEET 1 OF 1

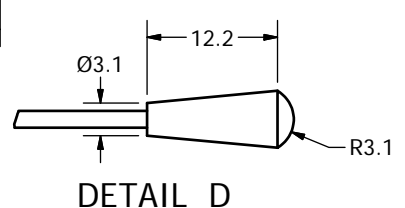
REVISION HISTORY			
REV	DESCRIPTION	DATE	APPROVED
A	OUTLINE RELEASE	12/16/2009	VH



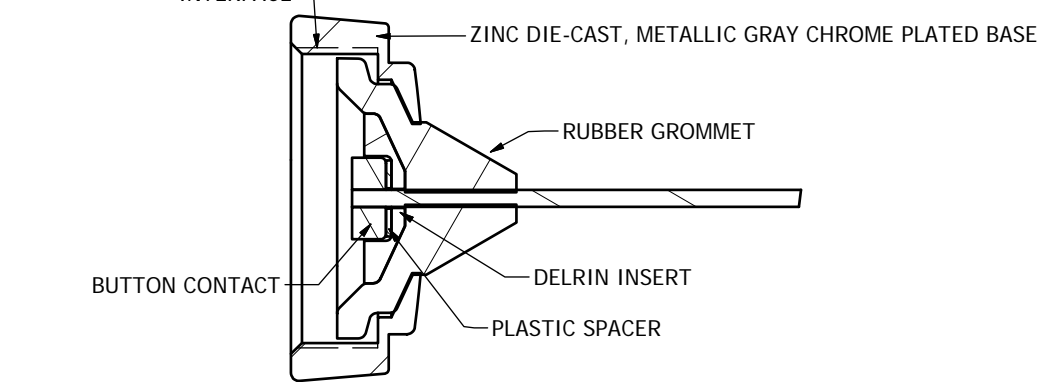
DETAIL B




SECTION A-A



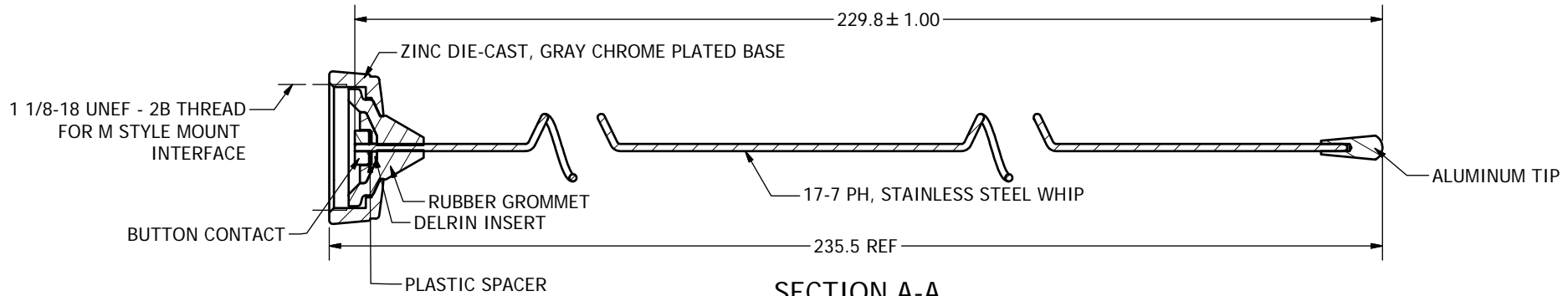
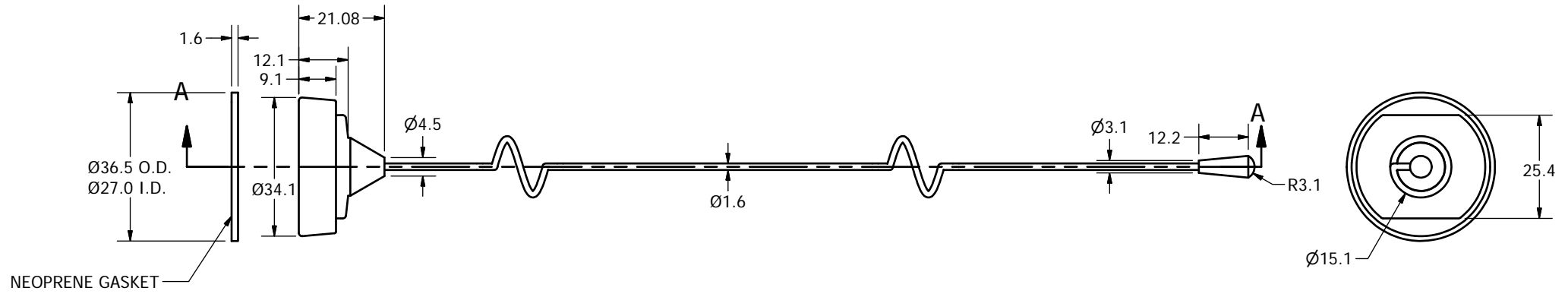
DETAIL D





DETAIL C

UNLESS OTHERWISE SPECIFIED DIMENSIONS ARE IN MILLIMETERS		DRAWN	DATE	 PCTEL, INC. BROADBAND TECHNOLOGY GROUP 471 BRINGTON DRIVE BLOOMINGDALE, IL 60108 PH. 630-372-6800 FAX. 630-372-8077	
FOR TOLERANCES NOT SPECIFIED USE: [X mm ± .2 mm], [X.X mm ± .1 mm], [X.XX mm ± .05 mm] ANGULAR ± 2°		CHECKED	DATE		
THIRD ANGLE PROJECTION		APPROVED	DATE		
PROPRIETARY DATA THE INFORMATION CONTAINED IN THIS DOCUMENT IS OF A PROPRIETARY NATURE. IT MAY NOT BE USED OR REPRODUCED WITHOUT EXPRESS WRITTEN PERMISSION OF PCTEL INC., BLOOMINGDALE, IL 60108		MATERIAL:			
		FINISH:		DESCRIPTION	OUTLINE DIMENSIONAL DRAWING, KIT, ANTENNA, 824-896 MHz
		DRAWING NO.		ODD_PCTCN8963	
SIZE	A3	SCALE	1:1	SHEET 1 OF 1	

REVISION HISTORY			
REV	DESCRIPTION	DATE	APPROVED
A	OUTLINE RELEASE	12/15/2009	VH



SECTION A-A
SCALE 1 : 1

UNLESS OTHERWISE SPECIFIED DIMENSIONS ARE IN MILLIMETERS FOR TOLERANCES NOT SPECIFIED USE: [X mm ± .2 mm], [X.X mm ± .1 mm], [X.XX mm ± .05 mm] ANGULAR ± 2°	DRAWN VH	DATE 12/15/2009	 PCTEL, INC. BROADBAND TECHNOLOGY GROUP 471 BRIGTON DRIVE BLOOMINGDALE, IL 60108 PH. 630-372-6800 FAX. 630-372-8077
	CHECKED	DATE	
THIRD ANGLE PROJECTION 	APPROVED	DATE	DESCRIPTION OUTLINE DIMENSIONAL DRAWING, KIT, ANTENNA, 2.4 GHz
PROPRIETARY DATA THE INFORMATION CONTAINED IN THIS DOCUMENT IS OF A PROPRIETARY NATURE. IT MAY NOT BE USED OR REPRODUCED WITHOUT EXPRESS WRITTEN PERMISSION OF PCTEL INC., BLOOMINGDALE, IL 60108	MATERIAL:		DRAWING NO. ODD_PCTCN24005
	FINISH:		SIZE A3
			SCALE 1:1
			SHEET 1 OF 1