



Our Planetary Gear Motors are an inline solution providing excellent torque output at various speeds. They are equipped to handle varying loads and are best for intermittent duty operation. With endless performance combinations, we have a fully tailored gear motor solution for you.



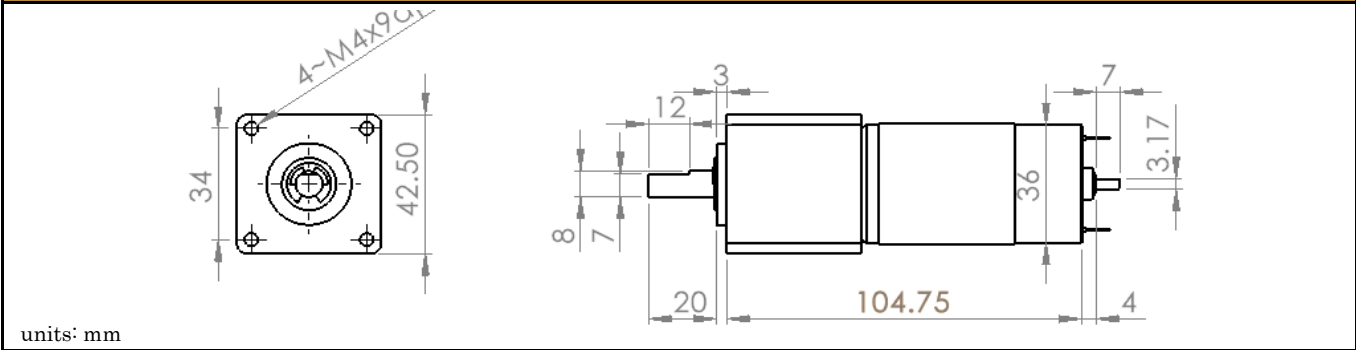
Contact Us for alternative solutions!

Specifications

Gearhead Type:	Planetary	No-Load Speed:	122 rpm (+/- 10%)
Motor Type:	Carbon - Brushed	No-Load Current:	< 0.25 A
Rated Voltage:	24V DC	Stall Torque:	72 kg.cm
Rated Speed:	107 rpm	Max. Power:	23 W
Rated Torque:	9 kg.cm	Reduction Ratio:	49:1
Rated Current:	1 A	Termination Style:	Terminals

* Gearbox limitations are set at 65 kg.cm, operating past this torque limit may create premature failure.

Dimensions



Performance Curve

