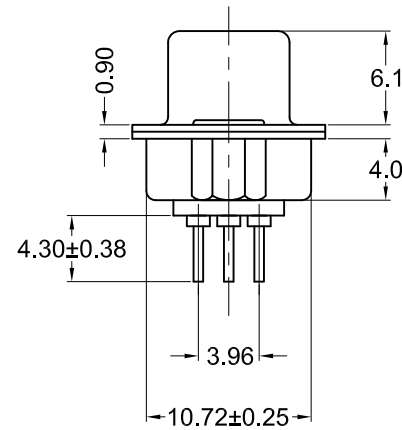


Recommended PCB Layout
(Top View)



Material and Finish

Shell: Steel, Nickel plated

Insulator: PBT thermoplastic with glass-fiber reinforcement, UL94V-0 rated
Color: Black

Contact Material:
Plug - Brass

Contact Plating Options:

Standard: gold flash on mating end, tin on termination end, nickel underplate on entire contact

15 Option: 15u" gold on mating end, tin on termination end, nickel underplate on entire contact

30 Option: 30u" gold on mating end, tin on termination end, nickel underplate on entire contact

Electrical Specifications

Rated Current: 1.5A

Rated Voltage: 30Vac

Insulation Resistance:
more than 1000 megohms at 500V DC

Contact Resistance:
13 milliohms max.

Dielectric Withstanding Voltage:
1000V for 1 minute

Operating Temperature:
-55°C to +105°C

Part Number	Contact Area Plating Finish
K86X-AD-26P-K	Gold Flash (standard)
K86X-AD-26P-K15	15u" Gold (15 option)
K86X-AD-26P-K30	30u" Gold (30 option)



Tolerances
X.X ± 0.25
X.XX ± 0.15
Unless Stated Otherwise

REV.	DATE	DESCRIPTION	REV. BY	CHK. BY	DRAWN BY	DATE
A1	03/30/09	New Drawing	S. Vien	H. MA	S. Vien	02/17/09
A2	8/28/14	ECO#14-028	H. MA	P. DalCanto		
A3	12/31/17	ECO# 17-033	G. Serrato	C. Furumasu		
					UNITS	
					mm	

K86X-AD-26P-K

D-Sub, HD, Vertical, RoHS Compliant

26 Pin Male, Threaded Bushings

