

# FNB81060T3

## Motion SPM<sup>®</sup> 8 Series

FNB81060T3 is a Motion SPM 8 module providing a fully-featured, high-performance inverter output stage for AC Induction, BLDC, and PMSM motors. These modules integrate optimized gate drive of the built-in IGBTs to minimize EMI and losses, while also providing multiple on-module protection features including under-voltage lockouts, inter-lock function, over-current shutdown, thermal monitoring of drive IC, and fault reporting. The built-in, high-speed HVIC requires only a single supply voltage and translates the incoming logic-level gate inputs to the high-voltage, high-current drive signals required to properly drive the module's robust shortcircuit-rated IGBTs. Separate negative IGBT terminals are available for each phase to support the widest variety of control algorithms.

### Features

- UL Certified No. E209204 (UL1557)
- 600 V – 10 A 3-Phase IGBT Inverter Including Control IC for Gate Drive and Protections
- Low-Loss, Short-Circuit Rated IGBTs
- Separate Open-Emitter Pins from Low-Side IGBTs for Three-Phase Current Sensing
- Active-high Interface, works with 3.3 / 5 V Logic, Schmitt-trigger Input
- HVIC for Gate Driving, Under-Voltage, Over Current and Short-Circuit Current Protection
- Fault Output for Under-Voltage, Over Current and Short-Circuit Current Protection
- Inter-Lock Function to Prevent Short-Circuit
- Shut-Down Input
- HVIC Temperature-Sensing Built-In for Temperature Monitoring
- Isolation Rating: 1500 V<sub>rms</sub> / min.

### Applications

- Motion Control – Home Appliance / Industrial Motor / HVAC

### Related Resources

- [AN-9112](#) – Smart Power Module, Motion SPM 8 Series User's Guide

### Integrated Power Functions

- 600 V – 10 A IGBT Inverter for Three Phase DC / AC Power Conversion (Please refer to Figure 2)

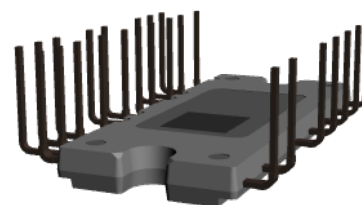
### Integrated Drive, Protection and System Control Functions

- For Inverter High-side IGBTs: gate drive circuit, high-voltage isolated high-speed level shifting control circuit Under-Voltage Lock-Out (UVLO) protection (Note: Available bootstrap circuit example is given in Figures 4 and 16)
- Control Circuit Under-Voltage Lock-Out (UVLO) protection



ON Semiconductor<sup>®</sup>

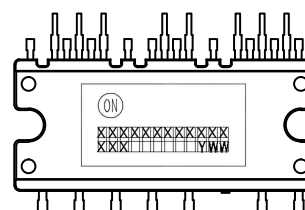
[www.onsemi.com](http://www.onsemi.com)



3D Package Drawing  
(Click to Activate 3D Content)

SPMFA-A25  
CASE MODEZ

### MARKING DIAGRAM



|           |                         |
|-----------|-------------------------|
| ON        | = ON Semiconductor Logo |
| NB81060T3 | = Specific Device Code  |
| XXX       | = Lot Number            |
| Y         | = Year                  |
| WW        | = Work Week             |

### ORDERING INFORMATION

See detailed ordering and shipping information on page 9 of this data sheet.

# FNB81060T3

- For Inverter Low-side IGBTs: gate drive circuit, Over Current Protection (OCP), Short-Circuit Protection (SCP) control supply circuit Under-Voltage Lock-Out (UVLO) protection
- Fault Signaling: corresponding to UVLO (low-side supply) and SC faults
- Input Interface: High-active interface, works with 3.3 / 5 V logic, Schmitt trigger input

## PIN CONFIGURATION

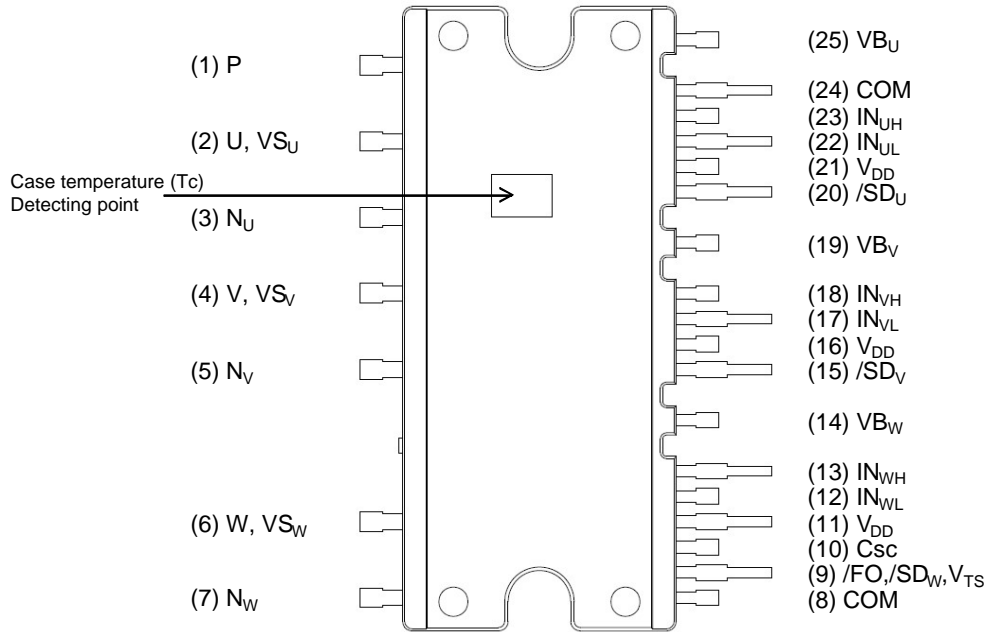


Figure 1. Pin Configuration – Top View

Table 1. PIN DESCRIPTIONS

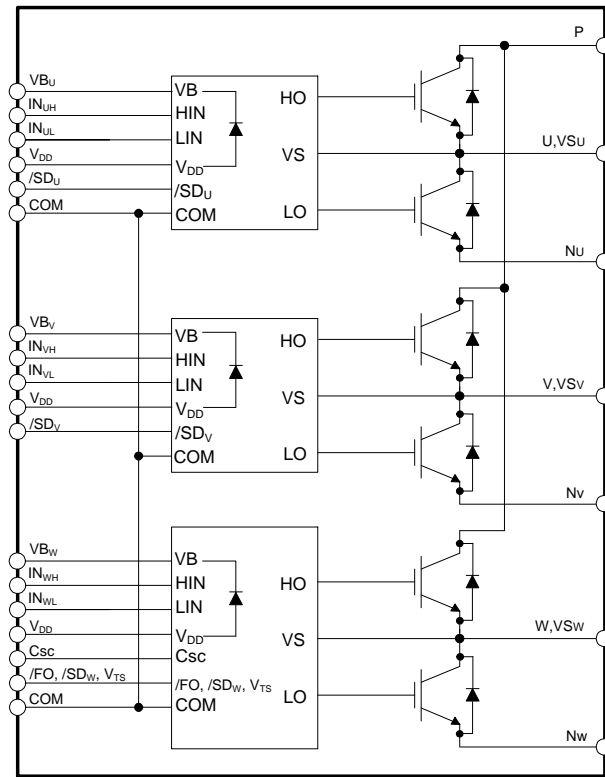
| Pin Number | Pin Name                                | Pin Description   |
|------------|---|---|
| 1          | P                                       | Positive DC-Link Input  |
| 2          | U, VS <sub>U</sub>                      | Output for U Phase  |
| 3          | N <sub>U</sub>                          | Negative DC-Link Input for U Phase  |
| 4          | V, VS <sub>V</sub>                      | Output for V Phase  |
| 5          | N <sub>V</sub>                          | Negative DC-Link Input for V Phase  |
| 6          | W, VS <sub>W</sub>                      | Output for W Phase  |
| 7          | N <sub>W</sub>                          | Negative DC-Link Input for W Phase  |
| 8          | COM                                     | Common Supply Ground  |
| 9          | /FO, /SD <sub>W</sub> , V <sub>TS</sub> | Fault Output, Shut-Down Input for W Phase, Temperature Output of Drive IC |
| 10         | CSC                                     | Shut Down Input for Over Current and Short Circuit Protection             |
| 11         | V <sub>DD</sub>                         | Common Bias Voltage for IC and IGBTs Driving                              |
| 12         | IN <sub>WL</sub>                        | Signal Input for Low-Side W Phase   |
| 13         | IN <sub>WH</sub>                        | Signal Input for High-Side W Phase  |
| 14         | VB <sub>W</sub>                         | High-Side Bias Voltage for W-Phase IGBT Driving                           |

# FNB81060T3

**Table 1. PIN DESCRIPTIONS**

| Pin Number | Pin Name         | Pin Description                                 |
|------------|------------------|---|
| 15         | /SD <sub>V</sub> | Shut-Down Input for V Phase                     |
| 16         | V <sub>DD</sub>  | Common Bias Voltage for IC and IGBTs Driving    |
| 17         | IN <sub>VL</sub> | Signal Input for Low-Side V Phase               |
| 18         | IN <sub>VH</sub> | Signal Input for High-Side V Phase              |
| 19         | VB <sub>V</sub>  | High-Side Bias Voltage for V-Phase IGBT Driving |
| 20         | /SD <sub>U</sub> | Shut-Down Input for U Phase                     |
| 21         | V <sub>DD</sub>  | Common Bias Voltage for IC and IGBTs Driving    |
| 22         | IN <sub>UL</sub> | Signal Input for Low-Side U Phase               |
| 23         | IN <sub>UH</sub> | Signal Input for High-Side U Phase              |
| 24         | COM              | Common Supply Ground                            |
| 25         | VB <sub>U</sub>  | High-Side Bias Voltage for U-Phase IGBT Driving |

## INTERNAL EQUIVALENT CIRCUIT AND INPUT/OUTPUT PINS



**Notes:**

1. Inverter high-side is composed of three IGBTs, freewheeling diodes.
2. Inverter low-side is composed of three IGBTs, freewheeling diodes.
3. Inverter power side is composed of four inverter DC-link input terminals and three inverter output terminals.

**Figure 2. Internal Block Diagram**

# FNB81060T3

**Table 2. ABSOLUTE MAXIMUM RATINGS** ( $T_J = 25^\circ\text{C}$  unless otherwise specified)

| Symbol                 | Parameter  | Conditions   | Rating                | Unit             |
|------------------------|--|--|-----------------------|------------------|
| <b>INVERTER PART</b>   |  |  |                       |                  |
| $V_{PN}$               | Supply Voltage   | Applied between P – $N_U$ , $N_V$ , $N_W$  | 450                   | V                |
| $V_{PN(\text{Surge})}$ | Supply Voltage (Surge)   | Applied between P – $N_U$ , $N_V$ , $N_W$  | 500                   | V                |
| $V_{CES}$              | Collector – Emitter Voltage  |  | 600                   | V                |
| $\pm I_C$              | Each IGBT Collector Current  | $T_C = 25^\circ\text{C}$ , $T_J \leq 150^\circ\text{C}$ (Note 1)   | 10                    | A                |
| $\pm I_{CP}$           | Each IGBT Collector Current (Peak)   | $T_C = 25^\circ\text{C}$ , $T_J \leq 150^\circ\text{C}$ , Under 1 ms Pulse Width (Note 1)                    | 20                    | A                |
| $T_J$                  | Operating Junction Temperature   |  | -40 ~ 150             | $^\circ\text{C}$ |
| <b>CONTROL PART</b>    |  |  |                       |                  |
| $V_{DD}$               | Control Supply Voltage   | Applied between $V_{DD}$ – COM   | 20                    | V                |
| $V_{BS}$               | High-Side Control Bias Voltage   | Applied between $V_{BU}$ – $V_{SU}$ , $V_{BV}$ – $V_{SV}$ , $V_{BW}$ – $V_{SW}$                              | 20                    | V                |
| $V_{IN}$               | Input Signal Voltage   | Applied between $IN_{UH}$ , $IN_{VH}$ , $IN_{WH}$ , $IN_{UL}$ , $IN_{VL}$ , $IN_{WL}$ – COM                  | -0.3 ~ $V_{DD} + 0.3$ | V                |
| $V_{FS}$               | Function Supply Voltage  | Applied between /FO, /SD <sub>W</sub> , $V_{TS}$ – COM   | -0.3 ~ $V_{DD} + 0.3$ | V                |
| $I_{FO}$               | Fault Current  | Sink Current at /FO, /SD <sub>W</sub> , $V_{TS}$ pin   | 2                     | mA               |
| $V_{SC}$               | Current Sensing Input Voltage  | Applied between $C_{SC}$ – COM   | -0.3 ~ $V_{DD} + 0.3$ | V                |
| <b>TOTAL SYSTEM</b>    |  |  |                       |                  |
| $V_{PN(\text{PROT})}$  | Self Protection Supply Voltage Limit (Short Circuit Protection Capability) | $V_{DD} = V_{BS} = 13.5 \sim 16.5 \text{ V}$ , $T_J = 150^\circ\text{C}$ , Non-Repetitive, < 2 $\mu\text{s}$ | 400                   | V                |
| $T_C$                  | Module Case Operation Temperature  | See Figure 1   | -40 ~ 125             | $^\circ\text{C}$ |
| $T_{STG}$              | Storage Temperature  |  | -40 ~ 125             | $^\circ\text{C}$ |
| $V_{ISO}$              | Isolation Voltage<br>Connect Pins to Heat Sink Plate                       | AC 60 Hz, Sinusoidal, AC 1 Minute, Connection Pins to Heat Sink Plate  | 1600                  | Vrms             |

Stresses exceeding those listed in the Maximum Ratings table may damage the device. If any of these limits are exceeded, device functionality should not be assumed, damage may occur and reliability may be affected.

1. These values had been made an acquisition by the calculation considered to design factor.

**Table 3. THERMAL RESISTANCE**

| Symbol         | Parameter                                    | Conditions                       | Min | Typ | Max  | Unit               |
|----------------|--|----------------------------------|-----|-----|------|--------------------|
| $R_{th(j-c)Q}$ | Junction-to-Case Thermal Resistance (Note 2) | Inverter IGBT part, (Per Module) | -   | -   | 3.40 | $^\circ\text{C/W}$ |
| $R_{th(j-c)F}$ |  | Inverter FWDi part, (Per Module) | -   | -   | 3.86 | $^\circ\text{C/W}$ |

2. For the measurement point of case temperature ( $T_C$ ), please refer to Figure 1.

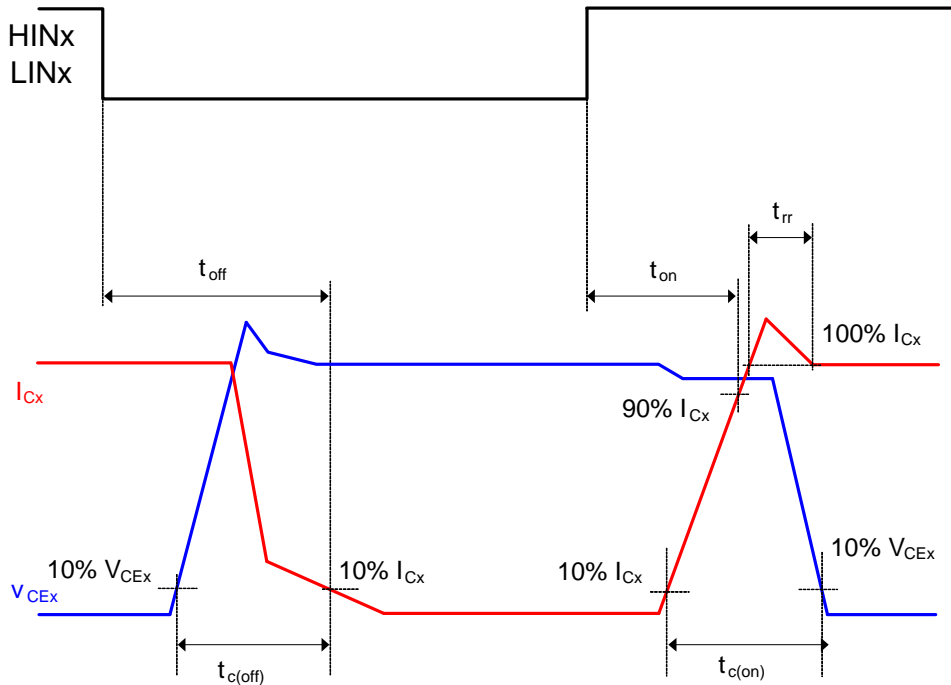
# FNB81060T3

**Table 4. ELECTRICAL CHARACTERISTICS** ( $T_J = 25^\circ\text{C}$  unless otherwise specified.)

| Symbol               | Parameter                              | Conditions  | Min                       | Typ  | Max  | Unit          |   |
|----------------------|--|---|---------------------------|------|------|---------------|---|
| <b>INVERTER PART</b> |  |   |                           |      |      |               |   |
| $V_{CE(SAT)}$        | Collector – Emitter Saturation Voltage | $V_{DD} = V_{BS} = 15\text{ V}$ , $V_{IN} = 5\text{ V}$ ,<br>$I_C = 8\text{ A}$   | $T_J = 25^\circ\text{C}$  | –    | 1.50 | 2.10          | V |
|                      |  |   | $T_J = 150^\circ\text{C}$ | –    | 1.80 | –             | V |
| $V_F$                | FWDi Forward Voltage                   | $V_{IN} = 0\text{ V}$ , $I_F = 8\text{ A}$  | $T_J = 25^\circ\text{C}$  | –    | 1.90 | 2.50          | V |
|                      |  |   | $T_J = 150^\circ\text{C}$ | –    | 1.80 | –             | V |
| HS                   | $t_{ON}$                               | Switching Times<br>$V_{PN} = 400\text{ V}$ , $V_{DD} = V_{BS} = 15\text{ V}$ , $I_C = 10\text{ A}$ , $T_J = 25^\circ\text{C}$<br>$V_{IN} = 0\text{ V} \leftrightarrow 5\text{ V}$ , Inductive load (Note 3) | 0.25                      | 0.75 | 1.25 | $\mu\text{s}$ |   |
|                      | $t_{C(ON)}$                            |   | –                         | 0.15 | 0.45 | $\mu\text{s}$ |   |
|                      | $t_{OFF}$                              |   | –                         | 0.50 | 1.00 | $\mu\text{s}$ |   |
|                      | $t_{C(OFF)}$                           |   | –                         | 0.10 | 0.40 | $\mu\text{s}$ |   |
|                      | $t_{rr}$                               |   | –                         | 0.10 | –    | $\mu\text{s}$ |   |
| LS                   | $t_{ON}$                               | $V_{PN} = 400\text{ V}$ , $V_{DD} = V_{BS} = 15\text{ V}$ , $I_C = 10\text{ A}$ , $T_J = 25^\circ\text{C}$<br>$V_{IN} = 0\text{ V} \leftrightarrow 5\text{ V}$ , Inductive load (Note 3)                    | 0.25                      | 0.75 | 1.25 | $\mu\text{s}$ |   |
|                      | $t_{C(ON)}$                            |   | –                         | 0.15 | 0.45 | $\mu\text{s}$ |   |
|                      | $t_{OFF}$                              |   | –                         | 0.50 | 1.00 | $\mu\text{s}$ |   |
|                      | $t_{C(OFF)}$                           |   | –                         | 0.10 | 0.40 | $\mu\text{s}$ |   |
|                      | $t_{rr}$                               |   | –                         | 0.10 | –    | $\mu\text{s}$ |   |
| $I_{CES}$            | Collector – Emitter Leakage Current    | $V_{CE} = V_{CES}$  | –                         | –    | 1.00 | mA            |   |

Product parametric performance is indicated in the Electrical Characteristics for the listed test conditions, unless otherwise noted. Product performance may not be indicated by the Electrical Characteristics if operated under different conditions.

3.  $t_{ON}$  and  $t_{OFF}$  include the propagation delay of the internal drive IC.  $t_{C(ON)}$  and  $t_{C(OFF)}$  are the switching times of IGBT under the given gate-driving condition internally. For the detailed information, please see Figure 3.



**Figure 3. Switching Time**

# FNB81060T3

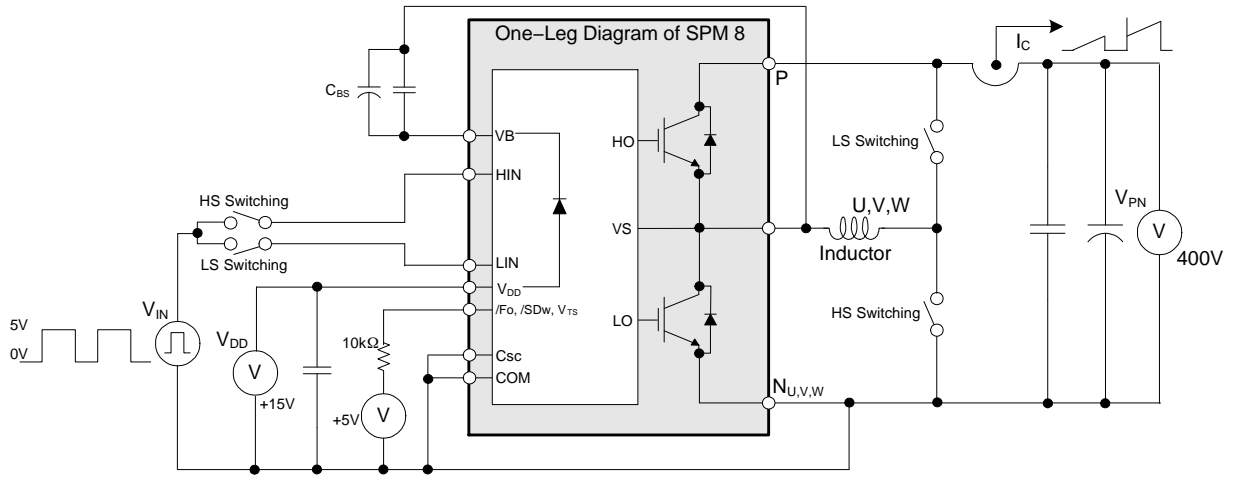


Figure 4. Example Circuit for Switching Test

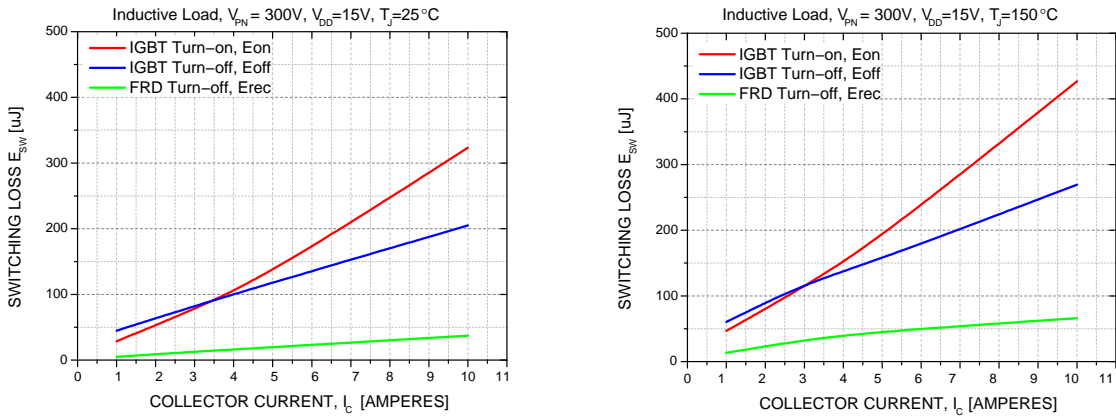


Figure 5. Switching Loss Characteristics

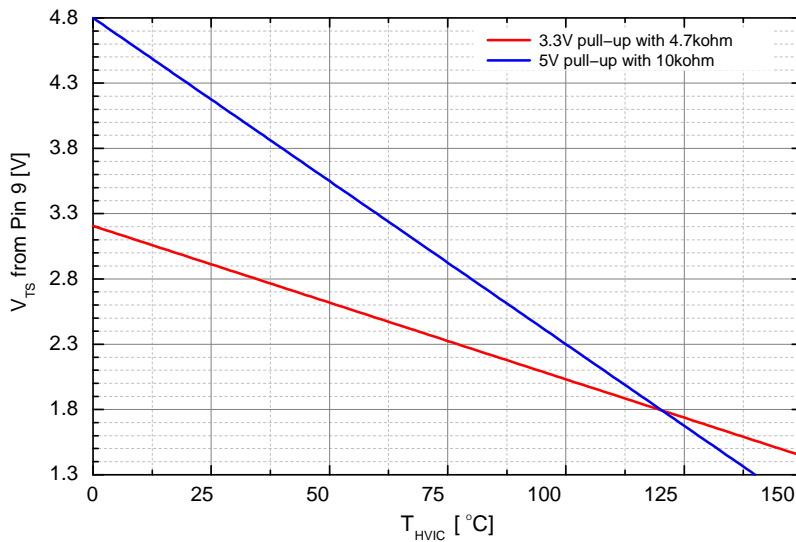


Figure 6. V-T Curve of Temperature Output of IC

# FNB81060T3

**Table 5. ELECTRICAL CHARACTERISTICS**

| Symbol                      | Parameter                                     | Conditions  | Min   | Typ   | Max  | Unit   |
|-----------------------------|---|---|---|-------|------|--------|
| <b>CONTROL PART</b>         |   |   |   |       |      |        |
| I <sub>QDD</sub>            | Quiescent V <sub>DD</sub> Supply Current      | V <sub>DD</sub> = 15 V, I <sub>N(UH,VH,WH,UL,VL,WL)</sub> = 0 V   | V <sub>DD</sub> – COM   | –     | –    | 1.7 mA |
| I <sub>PDD</sub>            | Operating V <sub>DD</sub> Supply Current      | V <sub>DD</sub> = 15 V, f <sub>PWM</sub> = 20 kHz, duty = 50%, applied to one PWM signal input  | V <sub>DD</sub> – COM   | –     | –    | 2.2 mA |
| I <sub>QBS</sub>            | Quiescent V <sub>BS</sub> Supply Current      | V <sub>BS</sub> = 15 V, I <sub>N(UH, VH, WH)</sub> = 0 V  | V <sub>B(U)</sub> – V <sub>S(U)</sub> , V <sub>B(V)</sub> – V <sub>S(V)</sub> , V <sub>B(W)</sub> – V <sub>S(W)</sub> | –     | –    | 100 μA |
| I <sub>PBS</sub>            | Operating V <sub>BS</sub> Supply Current      | V <sub>DD</sub> = V <sub>BS</sub> = 15 V, f <sub>PWM</sub> = 20 kHz, duty = 50%, applied to one PWM signal input for high – side                  | V <sub>B(U)</sub> – V <sub>S(U)</sub> , V <sub>B(V)</sub> – V <sub>S(V)</sub> , V <sub>B(W)</sub> – V <sub>S(W)</sub> | –     | –    | 600 μA |
| V <sub>FOH</sub>            | Fault Output Voltage                          | V <sub>SC</sub> = 0 V, V <sub>F</sub> Circuit: 10 kΩ to 5 V Pull-up   | 3.81  | –     | –    | V      |
| V <sub>FOL</sub>            |   | V <sub>SC</sub> = 1 V, V <sub>F</sub> Circuit: 10 kΩ to 5 V Pull-up   | –   | –     | 0.5  | V      |
| V <sub>SC(ref)</sub>        | Short-Circuit Trip Level                      | V <sub>DD</sub> = 15 V (Note 4)   | 0.46  | 0.49  | 0.52 | V      |
| UV <sub>DDD</sub>           | Supply Circuit Under-Voltage Protection       | Detection level   | 10.0  | 11.5  | 13.0 | V      |
| UV <sub>DDR</sub>           |   | Reset level   | 10.5  | 12.0  | 13.5 | V      |
| UV <sub>BSD</sub>           |   | Detection level   | 9.5   | 11.0  | 12.5 | V      |
| UV <sub>BSR</sub>           |   | Reset level   | 10.0  | 11.5  | 13.0 | V      |
| I <sub>FO_T</sub>           | HVIC Temperature Sensing Current              | V <sub>DD</sub> = V <sub>BS</sub> = 15 V, T <sub>HVIC</sub> = 25°C  | –   | 82.5  | –    | μA     |
|                             |   | V <sub>DD</sub> = V <sub>BS</sub> = 15 V, T <sub>HVIC</sub> = 75°C  | –   | 207.5 | –    | μA     |
| V <sub>FO_T</sub>           | HVIC Temperature Sensing Voltage See Figure 7 | V <sub>DD</sub> = V <sub>BS</sub> = 15 V, T <sub>HVIC</sub> = 25°C, 10 kΩ to 5 V Pull-up  | –   | 4.18  | –    | V      |
|                             |   | V <sub>DD</sub> = V <sub>BS</sub> = 15 V, T <sub>HVIC</sub> = 75°C, 10 kΩ to 5 V Pull-up  | –   | 2.93  | –    | V      |
| t <sub>FOD</sub>            | Fault-Out Pulse Width                         |   | 40  | –     | –    | μs     |
| V <sub>FSDR</sub>           | Shut-down Reset level                         | Applied between /FO – COM   | –   | –     | 2.4  | V      |
| V <sub>FSDD</sub>           | Shut-down Detection level                     |   | 0.8   | –     | –    | V      |
| V <sub>IN(ON)</sub>         | ON Threshold Voltage                          | Applied between I <sub>N(UH)</sub> , I <sub>N(VH)</sub> , I <sub>N(WH)</sub> , I <sub>N(UL)</sub> , I <sub>N(VL)</sub> , I <sub>N(WL)</sub> – COM | –   | –     | 2.4  | V      |
| V <sub>IN(OFF)</sub>        | OFF Threshold Voltage                         |   | 0.8   | –     | –    | V      |
| <b>BOOTSTRAP DIODE PART</b> |   |   |   |       |      |        |
| R <sub>BS</sub>             | Bootstrap Diode Resistance                    | V <sub>DD</sub> = 15 V, T <sub>J</sub> = 25°C   | –   | 280   | –    | Ω      |

Product parametric performance is indicated in the Electrical Characteristics for the listed test conditions, unless otherwise noted. Product performance may not be indicated by the Electrical Characteristics if operated under different conditions.

4. Short-circuit current protection function is for all six IGBTs if the /FO, /SD<sub>W</sub>, V<sub>TS</sub> pin is connected to /SD<sub>x</sub> pins.

# FNB81060T3

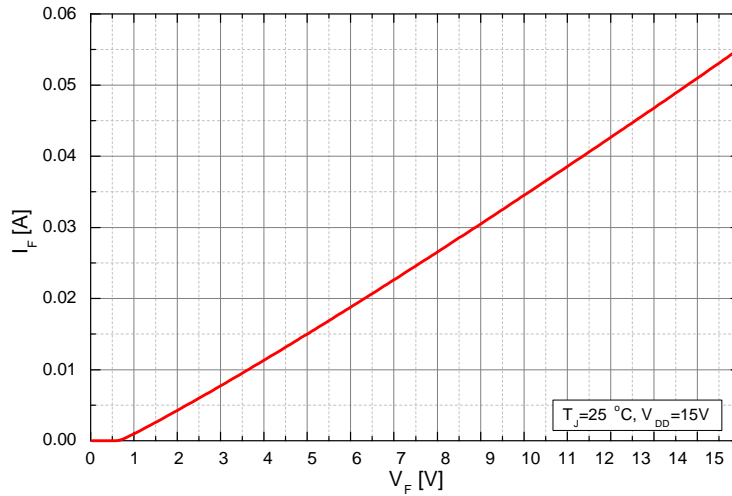


Figure 7. Built-In Bootstrap Diode Characteristics

Table 6. RECOMMENDED OPERATING CONDITIONS

| Symbol                                     | Parameter                                | Conditions  | Min  | Typ | Max  | Unit |
|--|--|---|------|-----|------|------|
| V <sub>PN</sub>                            | Supply Voltage                           | Applied between P – N <sub>U</sub> , N <sub>V</sub> , N <sub>W</sub>  | –    | 300 | 400  | V    |
| V <sub>DD</sub>                            | Control Supply Voltage                   | Applied between V <sub>DD</sub> – COM   | 14.0 | 15  | 16.5 | V    |
| V <sub>BS</sub>                            | High – Side Bias Voltage                 | Applied between V <sub>B<sub>U</sub></sub> – V <sub>S<sub>U</sub></sub> , V <sub>B<sub>V</sub></sub> – V <sub>S<sub>V</sub></sub> , V <sub>B<sub>W</sub></sub> – V <sub>S<sub>W</sub></sub> | 13.0 | 15  | 18.5 | V    |
| dV <sub>DD</sub> /dt, dV <sub>BS</sub> /dt | Control Supply Variation                 |   | –1   | –   | 1    | V/μs |
| t <sub>dead</sub>                          | Blanking Time for Preventing Arm – Short | For each input signal   | 0.5  | –   | –    | μs   |
| V <sub>SEN</sub>                           | Voltage for Current Sensing              | Applied between N <sub>U</sub> , N <sub>V</sub> , N <sub>W</sub> – COM (Including surge voltage)  | –4   |     | 4    | V    |
| P <sub>WIN(ON)</sub>                       | Minimum Input Pulse Width                | V <sub>DD</sub> = V <sub>BS</sub> = 15 V, I <sub>C</sub> ≤ 20 A, Wiring Inductance between N <sub>U, V, W</sub> and DC Link N < 10nH (Note 5)   | 0.7  | –   | –    | μs   |
| P <sub>WIN(OFF)</sub>                      |  |   | 0.7  | –   | –    |      |

Functional operation above the stresses listed in the Recommended Operating Ranges is not implied. Extended exposure to stresses beyond the Recommended Operating Ranges limits may affect device reliability.

5. This product might not make response if input pulse width is less than the recommended value.

Table 7. MECHANICAL CHARACTERISTICS AND RATINGS

| Parameter       | Conditions                                     |                         | Min | Typ | Max | Unit    |
|-----------------|--|-------------------------|-----|-----|-----|---------|
| Device Flatness | See Figure 8                                   |                         | –50 | –   | 100 | μm      |
| Mounting Torque | Mounting Screw: M3<br>See Figure 9 (Note 6, 7) | Recommended 0.7 N • m   | 0.6 | 0.7 | 0.8 | N • m   |
|                 |  | Recommended 7.1 kg • cm | 5.9 | 6.9 | 7.9 | kg • cm |
| Weight          |  |                         | –   | 5.0 | –   | g       |

6. Do not make over torque when mounting screws. Much mounting torque may cause package cracks, as well as bolts and Al heat-sink destruction.

7. Avoid one side tightening stress. Figure 9 shows the recommended torque order for mounting screws. Uneven mounting can cause the DBC substrate of package to be damaged. The pre-screwing torque is set to 20 ~ 30% of maximum torque rating.



# FNB81060T3

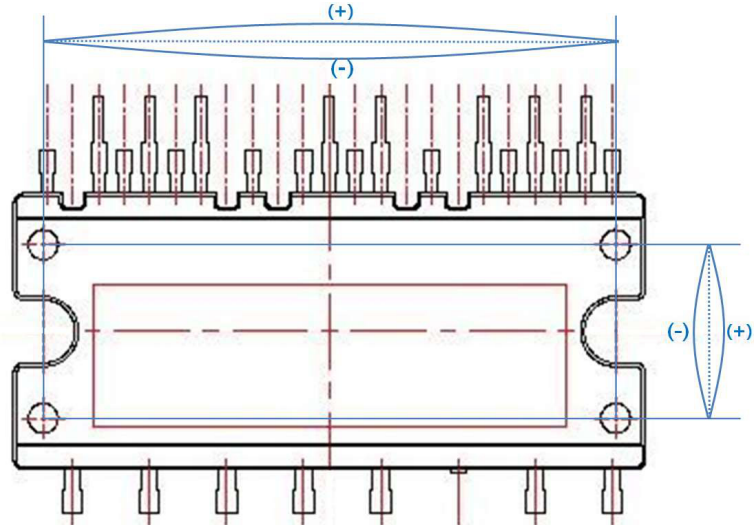


Figure 8. Flatness Measurement Position

Pre-Screwing: 1 → 2  
 Final Screwing: 2 → 1

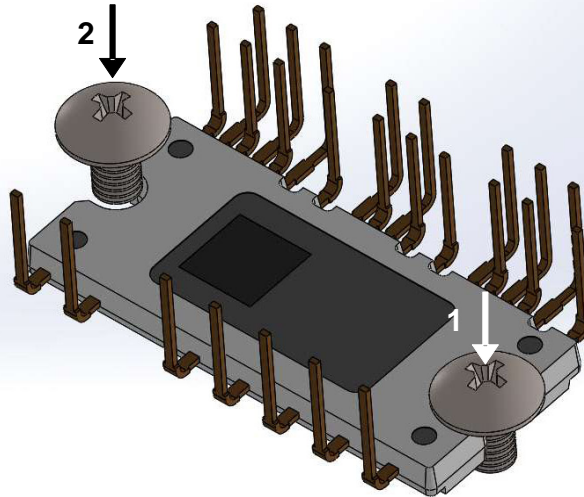
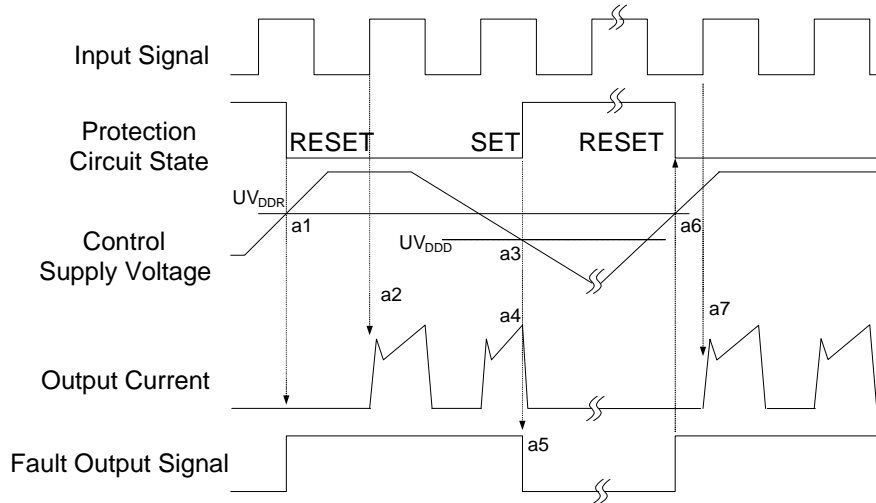


Figure 9. Mounting Screws Torque Order

## PACKAGE MARKING AND ORDERING INFORMATION

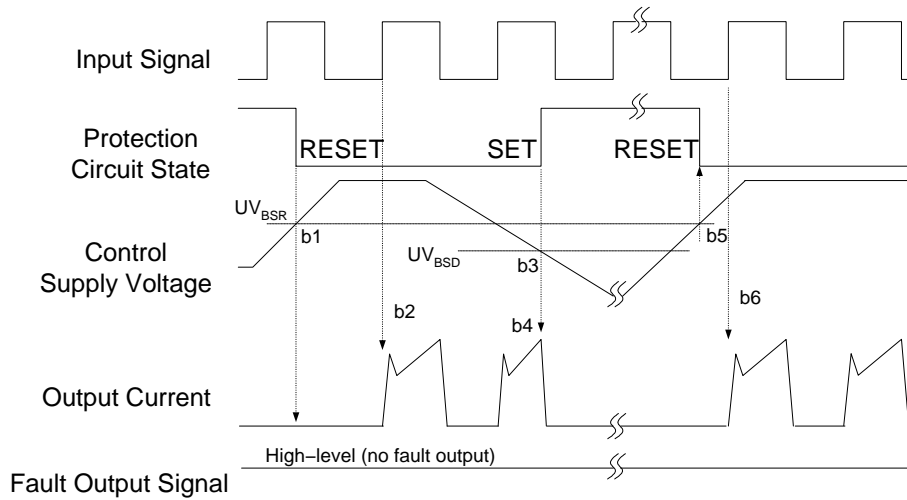
| Device     | Device Marking | Package   | Shipping        |
|------------|----------------|-----------|-----------------|
| FNB81060T3 | NB81060T3      | SPMFA-A25 | 15 Units / Rail |

TIME CHARTS OF PROTECTIVE FUNCTION



- a1: Control supply voltage rises: after the voltage rises  $UV_{DDR}$ , the circuits start to operate when next input is applied.
- a2: Normal operation: IGBT ON and carrying current.
- a3: Under-voltage detection ( $UV_{DDD}$ ).
- a4: IGBT OFF in spite of control input condition.
- a5: Fault output operation starts.
- a6: Under-voltage reset ( $UV_{DDR}$ ).
- a7: Normal operation: IGBT ON and carrying current.

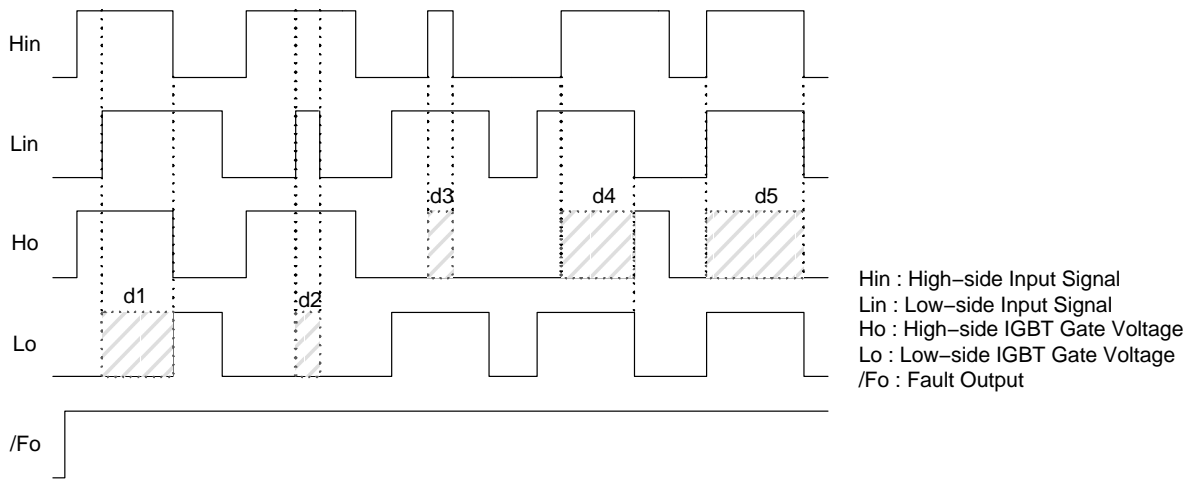
Figure 10. Under-Voltage Protection (Low-Side)



- b1: Control supply voltage rises: after the voltage reaches  $UV_{BSR}$ , the circuits start to operate when next input is applied.
- b2: Normal operation: IGBT ON and carrying current.
- b3: Under-voltage detection ( $UV_{BSD}$ ).
- b4: IGBT OFF in spite of control input condition, but there is no fault output signal.
- b5: Under-voltage reset ( $UV_{BSR}$ ).
- b6: Normal operation: IGBT ON and carrying current.

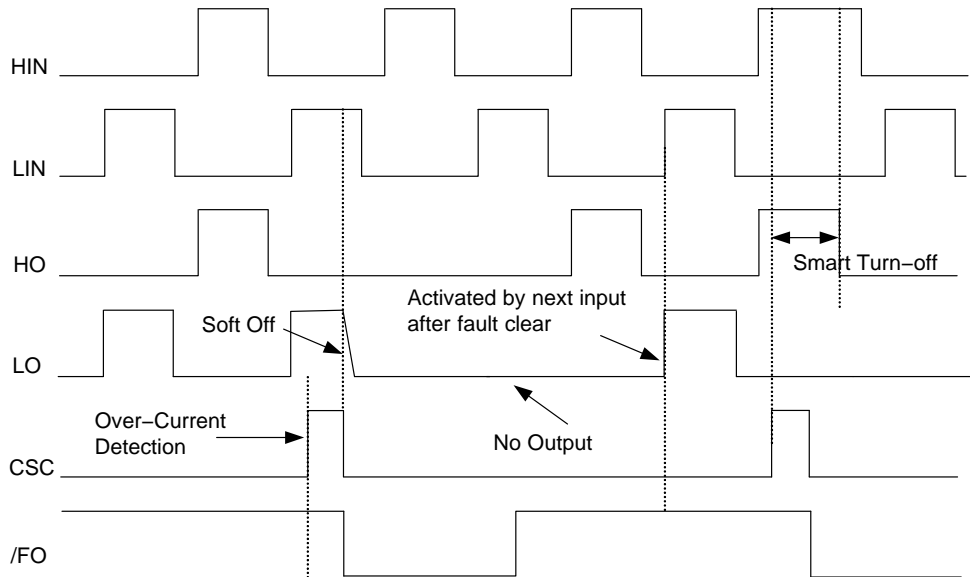
Figure 11. Under-Voltage Protection (High-Side)

## FNB81060T3



- d1: High Side First – Input – First – Output Mode
- d2: Low Side Noise Mode: No LO
- d3: High Side Noise Mode: No HO
- d4: Low Side First – Input – First – Output Mode
- d5: IN – Phase Mode: No HO

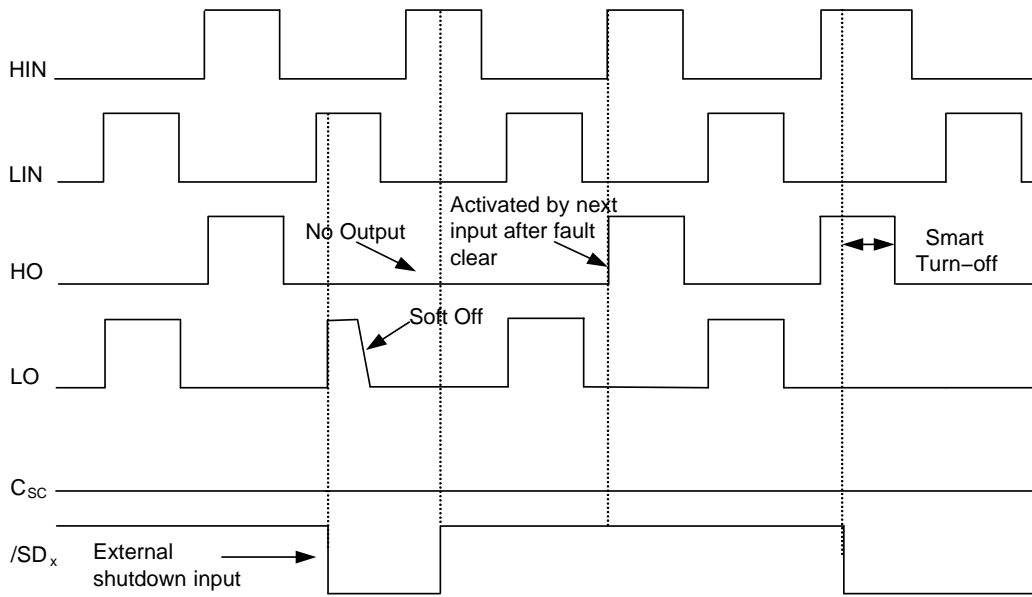
**Figure 12. Inter-Lock Function**



- HIN : High-side Input Signal
- LIN : Low-side Input Signal
- HO : High-Side Output Signal
- LO : Low-Side Output Signal
- C<sub>SC</sub> : Over Current Detection Input
- /FO : Fault Out Function

**Figure 13. Fault-Out Function by Over Current Protection**

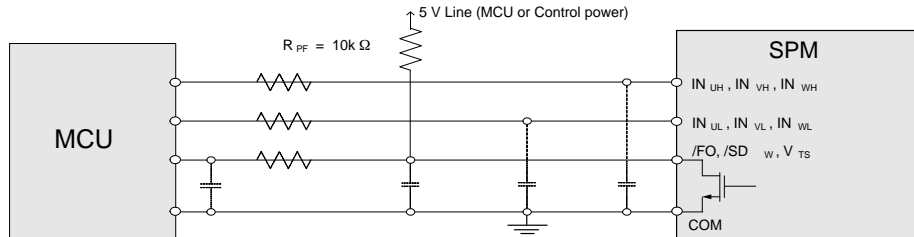
## FNB81060T3



HIN : High-side Input Signal  
 LIN : Low-side Input Signal  
 HO : High-Side Output Signal  
 LO : Low-Side Output Signal  
 C<sub>SC</sub> : Over Current Detection Input  
 /SD<sub>x</sub> : Shutdown Input Function

**Figure 14. Shutdown Input Function by External Command**

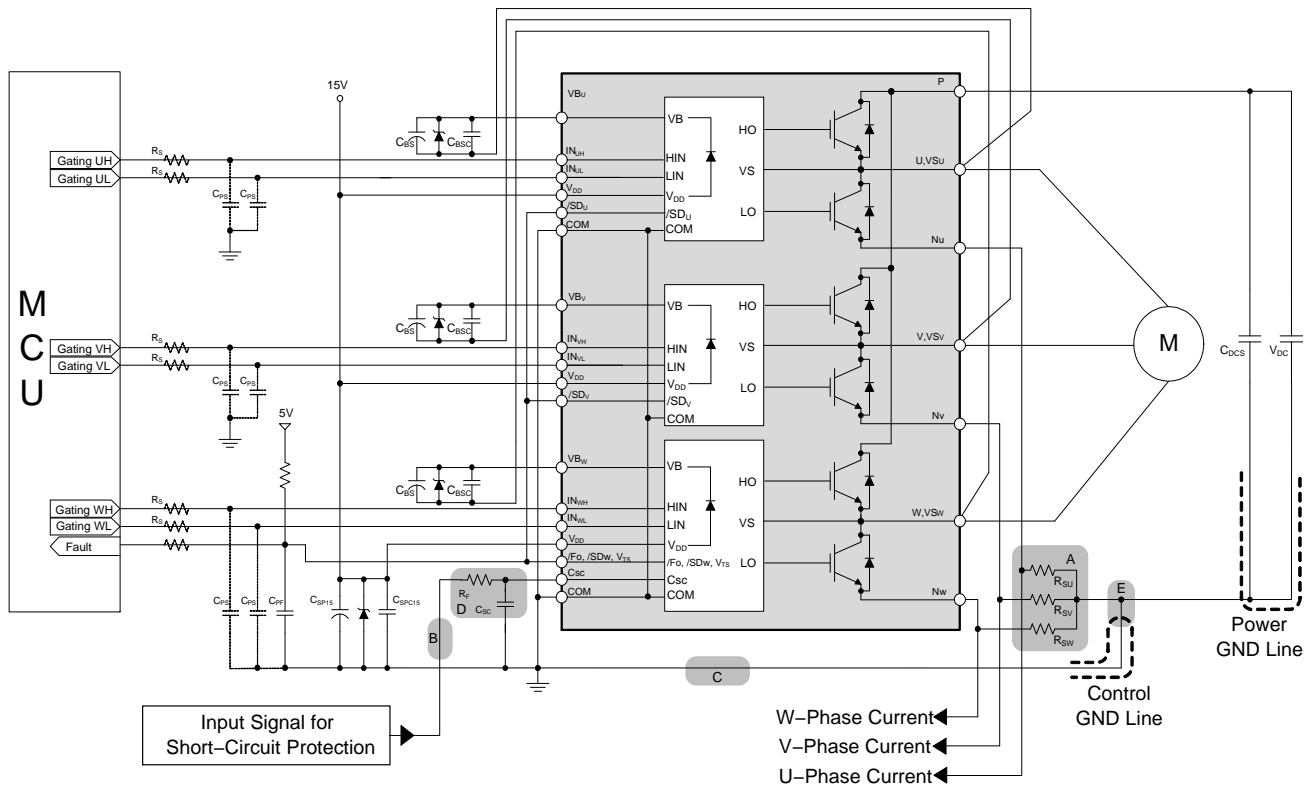
### INPUT/OUTPUT INTERFACE CIRCUIT



NOTE: RC coupling at each input (parts shown dotted) might change depending on the PWM control scheme used in the application and the wiring impedance of the application's printed circuit board. The input signal section of the SPM 8 product integrates 5 kΩ (typ.) pull-down resistor. Therefore, when using an external filtering resistor, please pay attention to the signal voltage drop at input terminal.

**Figure 15. Recommended MCU I/O Interface Circuit**

# FNB81060T3



**Figure 16. Typical Application Circuit**

**NOTES:**

8. To avoid malfunction, the wiring of each input should be as short as possible (Less than 2 ~ 3 cm).
9. /FO is open-drain type. This signal line should be pulled up to the positive side of the MCU or control power supply with a resistor that makes  $I_{FO}$  up to 2 mA. (Figure 15.)
10.  $C_{SP15}$  of around seven times larger than bootstrap capacitor  $C_{BS}$  is recommended.
11. Input signal is active-HIGH type. There is a 5 k $\Omega$  resistor inside the IC to pull down each input signal line to GND. RC coupling circuits are recommended for the prevention of input signal oscillation.  $R_S C_{PS}$  time constant should be selected in the range 50 ~ 150 ns (Recommended  $R_S = 100 \Omega$ ,  $C_{PS} = 1 \text{ nF}$ ).
12. Each wiring pattern inductance of A point should be minimized (Recommend less than 10nH). Use the shunt resistor  $R_{S(U/V/W)}$  of surface mounted (SMD) type to reduce wiring inductance. To prevent malfunction, wiring of point E should be connected to the terminal of the shunt resistor  $R_{S(U/V/W)}$  as close as possible.
13. To prevent errors of the protection function, the wiring of B, C, and D point should be as short as possible.
14. In the short-circuit current protection circuit, please select the  $R_F C_{SC}$  time constant in the range 1.5 ~ 2  $\mu\text{s}$ . Do enough evaluation on the real system because short-circuit protection time may vary wiring pattern layout and value of the  $R_F$  and  $C_{SC}$  time constant.
15. The connection between control GND line and power GND line which includes the  $N_U$ ,  $N_V$ ,  $N_W$  must be connected to only one point. Please do not connect the control GND to the power GND by the broad pattern. Also, the wiring distance between control GND and power GND should be as short as possible.
16. Each capacitor should be mounted as close to the pins of the Motion SPM 8 product as possible.
17. To prevent surge destruction, the wiring between the smoothing capacitor and the P and GND pins should be as short as possible. The use of a high frequency non-inductive capacitor of around 0.1 ~ 0.22  $\mu\text{F}$  between the P and GND pins is recommended.
18. Relays are used in almost every systems of electrical equipments of home appliances. In these cases, there should be sufficient distance between the CPU and the relays.
19. The zener diode or transient voltage suppressor should be adapted for the protection of ICs from the surge destruction between each pair of control supply terminals (Recommended zener diode is 22 V / 1 W, which has the lower zener impedance characteristic than about 15  $\Omega$ ).
20. Please choose the electrolytic capacitor with good temperature characteristic in  $C_{BS}$ . Also, choose 0.1 ~ 0.2  $\mu\text{F}$  R-category ceramic capacitors with good temperature and frequency characteristics in  $C_{BS}$ .
21. For the detailed information, please refer to the application notes.
22. /FO and /SD must be connected as short as possible.

# MECHANICAL CASE OUTLINE

## PACKAGE DIMENSIONS

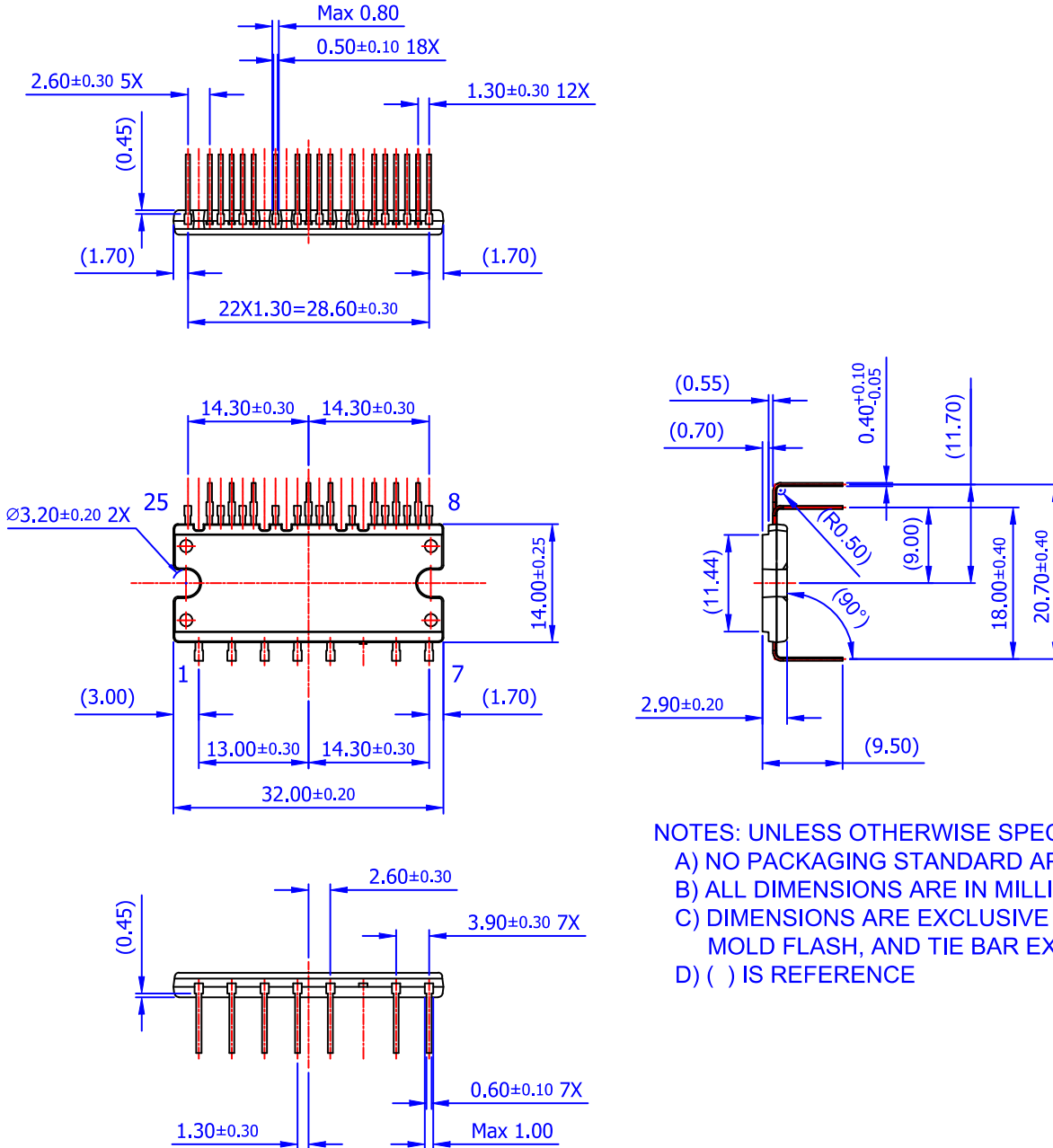
ON Semiconductor®



### SPMFA-A25 / 25LD, FULL PACK, DIP TYPE, SPM8 SERIES

CASE MODEZ  
ISSUE O

DATE 31 JAN 2017



NOTES: UNLESS OTHERWISE SPECIFIED  
 A) NO PACKAGING STANDARD APPLIES  
 B) ALL DIMENSIONS ARE IN MILLIMETERS  
 C) DIMENSIONS ARE EXCLUSIVE OF BURRS, MOLD FLASH, AND TIE BAR EXTRUSIONS  
 D) ( ) IS REFERENCE

|                         |   |  |
|-------------------------|---|--|
| <b>DOCUMENT NUMBER:</b> | <b>98AON13572G</b>  | Electronic versions are uncontrolled except when accessed directly from the Document Repository. Printed versions are uncontrolled except when stamped "CONTROLLED COPY" in red. |
| <b>DESCRIPTION:</b>     | <b>SPMFA-A25 / 25LD, FULL PACK, DIP TYPE, SPM8 SERIES</b> | <b>PAGE 1 OF 1</b>   |

ON Semiconductor and are trademarks of Semiconductor Components Industries, LLC dba ON Semiconductor or its subsidiaries in the United States and/or other countries. ON Semiconductor reserves the right to make changes without further notice to any products herein. ON Semiconductor makes no warranty, representation or guarantee regarding the suitability of its products for any particular purpose, nor does ON Semiconductor assume any liability arising out of the application or use of any product or circuit, and specifically disclaims any and all liability, including without limitation special, consequential or incidental damages. ON Semiconductor does not convey any license under its patent rights nor the rights of others.

ON Semiconductor and  are trademarks of Semiconductor Components Industries, LLC dba ON Semiconductor or its subsidiaries in the United States and/or other countries. ON Semiconductor owns the rights to a number of patents, trademarks, copyrights, trade secrets, and other intellectual property. A listing of ON Semiconductor's product/patent coverage may be accessed at [www.onsemi.com/site/pdf/Patent-Marking.pdf](http://www.onsemi.com/site/pdf/Patent-Marking.pdf). ON Semiconductor reserves the right to make changes without further notice to any products herein. ON Semiconductor makes no warranty, representation or guarantee regarding the suitability of its products for any particular purpose, nor does ON Semiconductor assume any liability arising out of the application or use of any product or circuit, and specifically disclaims any and all liability, including without limitation special, consequential or incidental damages. Buyer is responsible for its products and applications using ON Semiconductor products, including compliance with all laws, regulations and safety requirements or standards, regardless of any support or applications information provided by ON Semiconductor. "Typical" parameters which may be provided in ON Semiconductor data sheets and/or specifications can and do vary in different applications and actual performance may vary over time. All operating parameters, including "Typicals" must be validated for each customer application by customer's technical experts. ON Semiconductor does not convey any license under its patent rights nor the rights of others. ON Semiconductor products are not designed, intended, or authorized for use as a critical component in life support systems or any FDA Class 3 medical devices or medical devices with a same or similar classification in a foreign jurisdiction or any devices intended for implantation in the human body. Should Buyer purchase or use ON Semiconductor products for any such unintended or unauthorized application, Buyer shall indemnify and hold ON Semiconductor and its officers, employees, subsidiaries, affiliates, and distributors harmless against all claims, costs, damages, and expenses, and reasonable attorney fees arising out of, directly or indirectly, any claim of personal injury or death associated with such unintended or unauthorized use, even if such claim alleges that ON Semiconductor was negligent regarding the design or manufacture of the part. ON Semiconductor is an Equal Opportunity/Affirmative Action Employer. This literature is subject to all applicable copyright laws and is not for resale in any manner.

## PUBLICATION ORDERING INFORMATION

### LITERATURE FULFILLMENT:

Email Requests to: [orderlit@onsemi.com](mailto:orderlit@onsemi.com)

ON Semiconductor Website: [www.onsemi.com](http://www.onsemi.com)

### TECHNICAL SUPPORT

North American Technical Support:  
Voice Mail: 1 800-282-9855 Toll Free USA/Canada  
Phone: 011 421 33 790 2910

Europe, Middle East and Africa Technical Support:

Phone: 00421 33 790 2910

For additional information, please contact your local Sales Representative